



US00D367692S

United States Patent [19]
Gebhardt

[11] **Patent Number: Des. 367,692**

[45] **Date of Patent: **Mar. 5, 1996**

[54] **GOLF PUTTER HEAD**

[76] Inventor: **Frank Gebhardt**, 530 Middle Rd.,
Kalispell, Mont. 59901

[**] Term: **14 Years**

[21] Appl. No.: **34,945**

[22] Filed: **Feb. 16, 1995**

[52] U.S. Cl. **D21/217**

[58] Field of Search **D21/217-219;**
273/167-175

[56] **References Cited**

U.S. PATENT DOCUMENTS

- D. 196,734 10/1963 Solheim 273/167 D X
- D. 263,980 4/1982 Kobayashi D21/219
- D. 357,043 4/1995 Turner D21/217
- D. 360,921 8/1995 Riquitto D21/217

Primary Examiner—Prabhakar G. Deshmukh
Assistant Examiner—Mitchell I. Siegel
Attorney, Agent, or Firm—Wells, St. John, Roberts, Gregory
& Matkin

[57] **CLAIM**

The ornamental design for a golf putter head, as shown and described.

DESCRIPTION

FIG. 1 is a frontal perspective view of a golf putter head showing the new design, a hosel mounting hole thereof being shown by dashed lines and not forming part of the present design;

FIG. 2 is a rear perspective view thereof;

FIG. 3 is a front elevation view thereof;

FIG. 4 is a top plan view thereof;

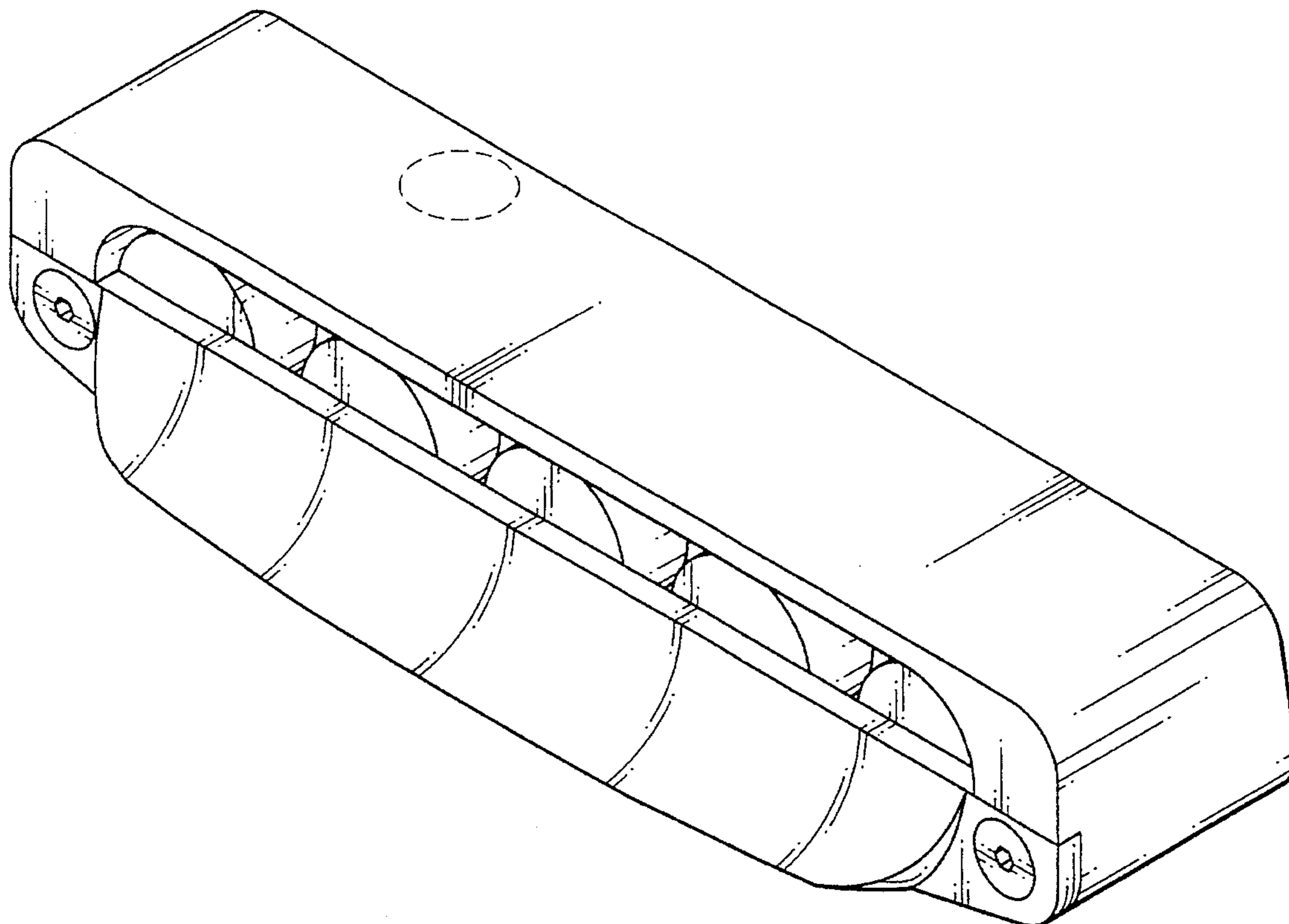
FIG. 5 is a rear elevation view thereof;

FIG. 6 is a bottom plan view thereof; and,

FIG. 7 is an end elevation view thereof, the opposite end being a mirror image thereof.

The broken line showing of hosel mounting hole is for illustrative purposes only and forms no part of the claimed design.

1 Claim, 4 Drawing Sheets



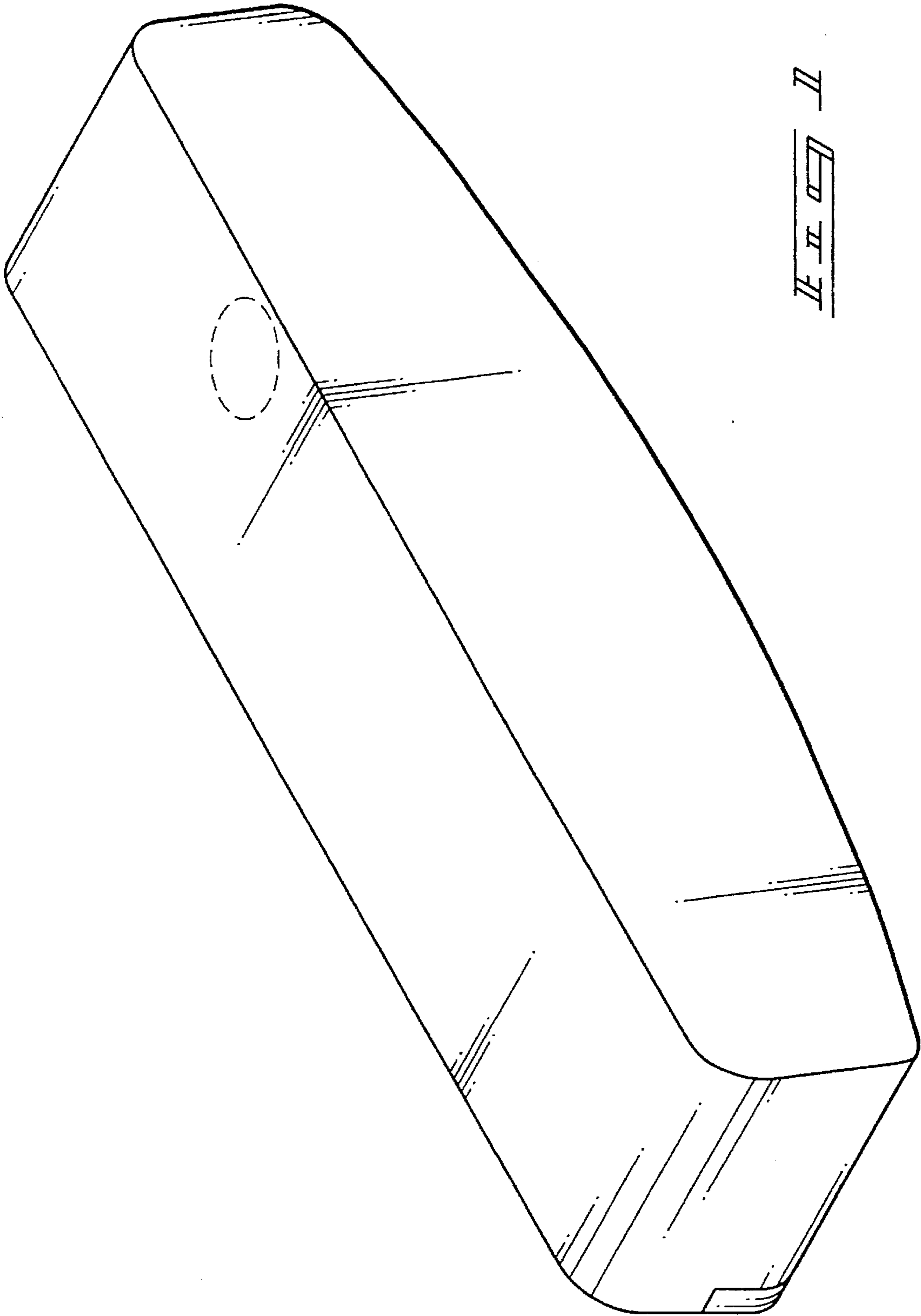
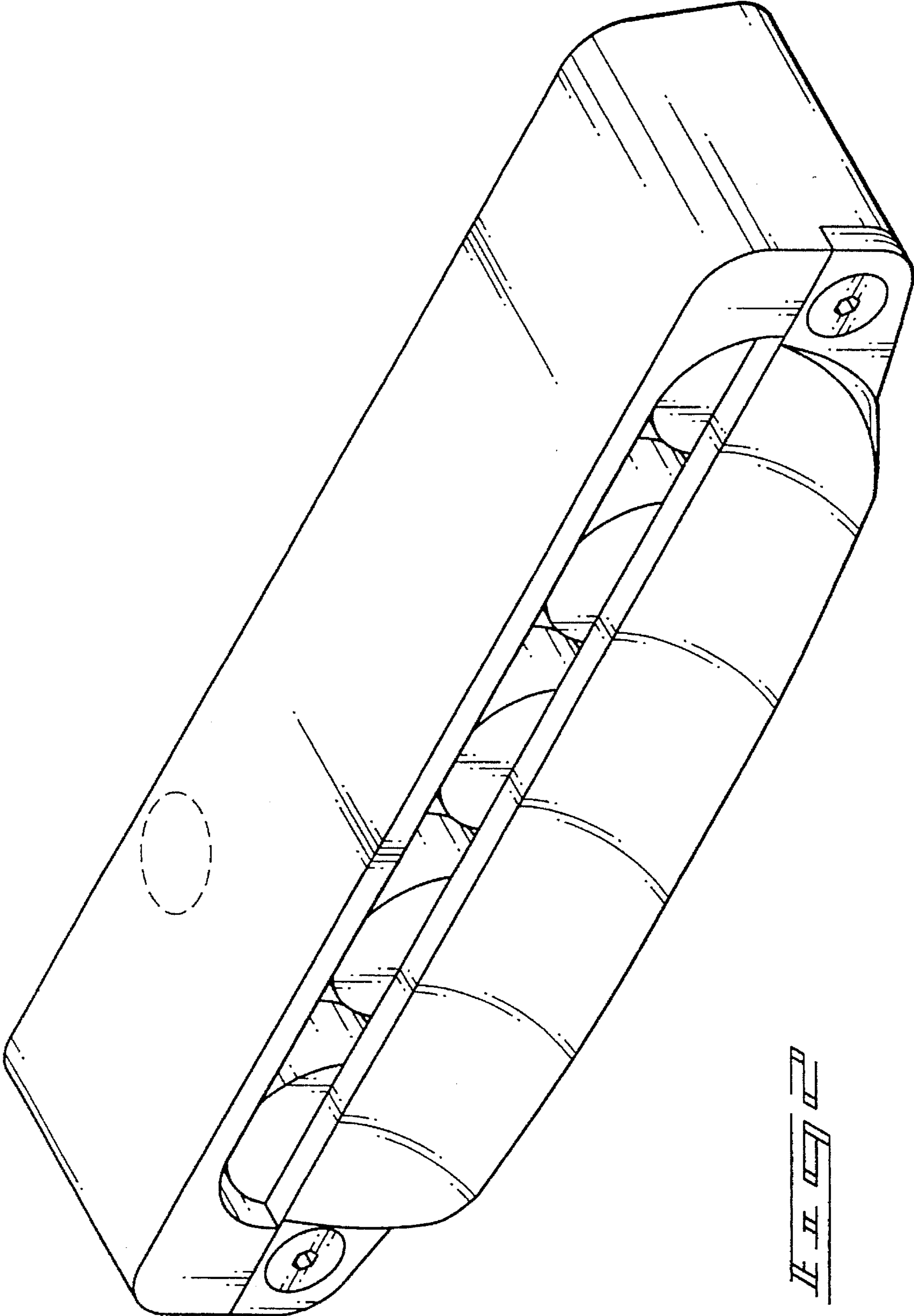


FIG. 1



DESIGNER

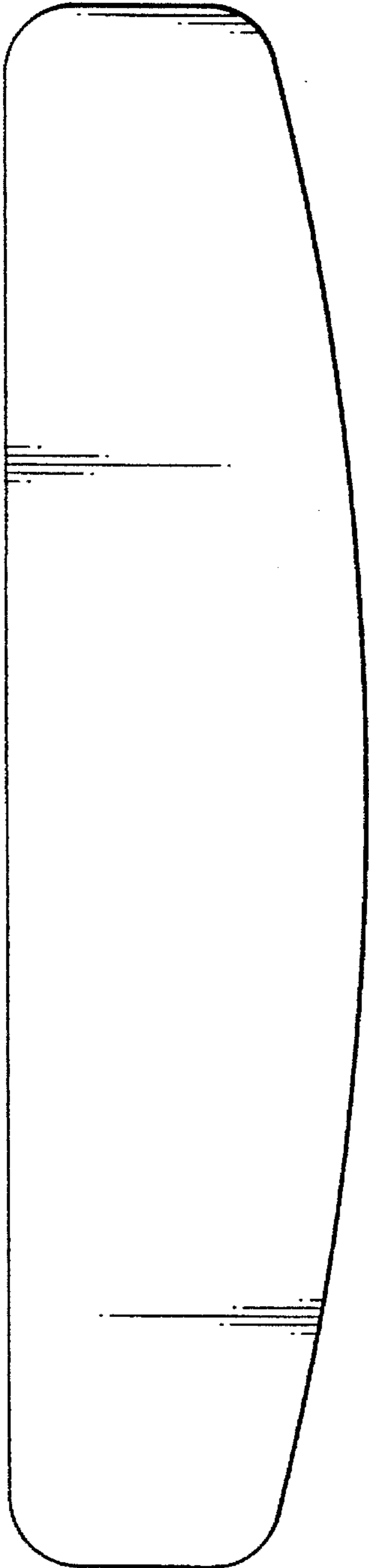


FIG. 3

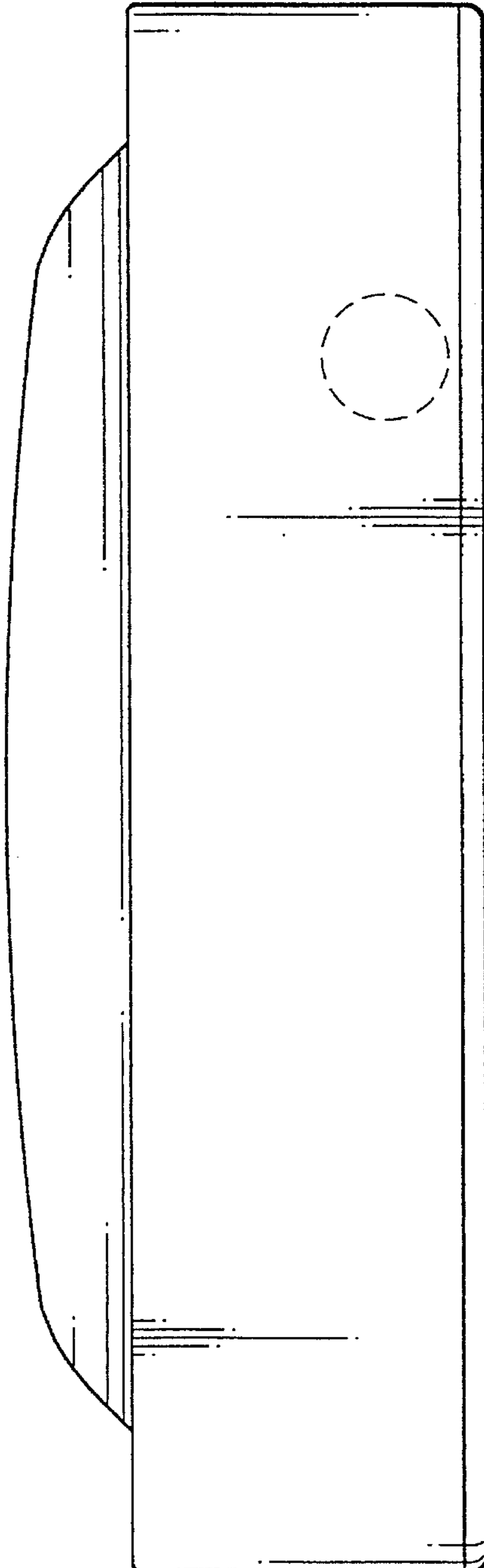


FIG. 4

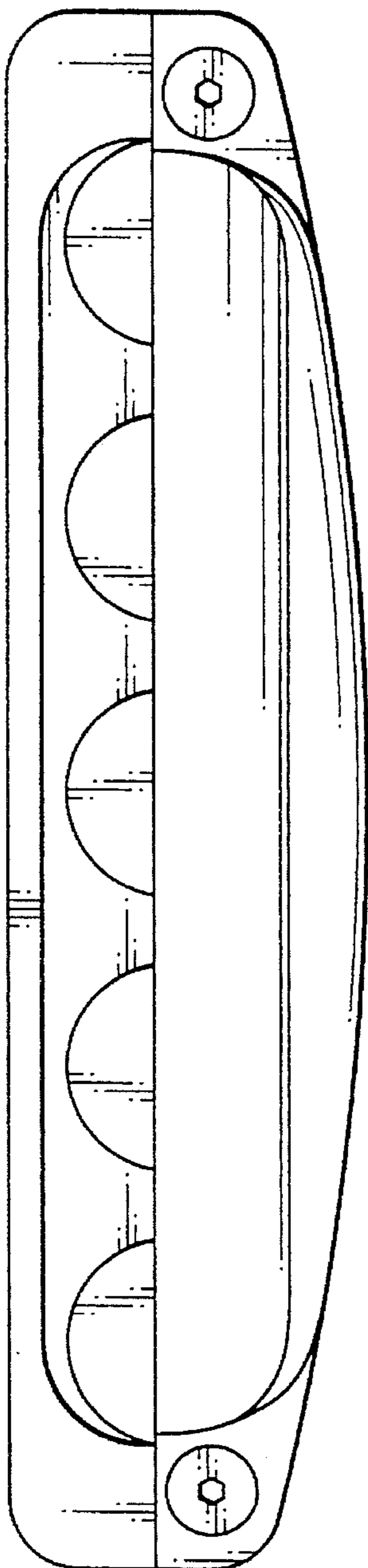


Fig. 5

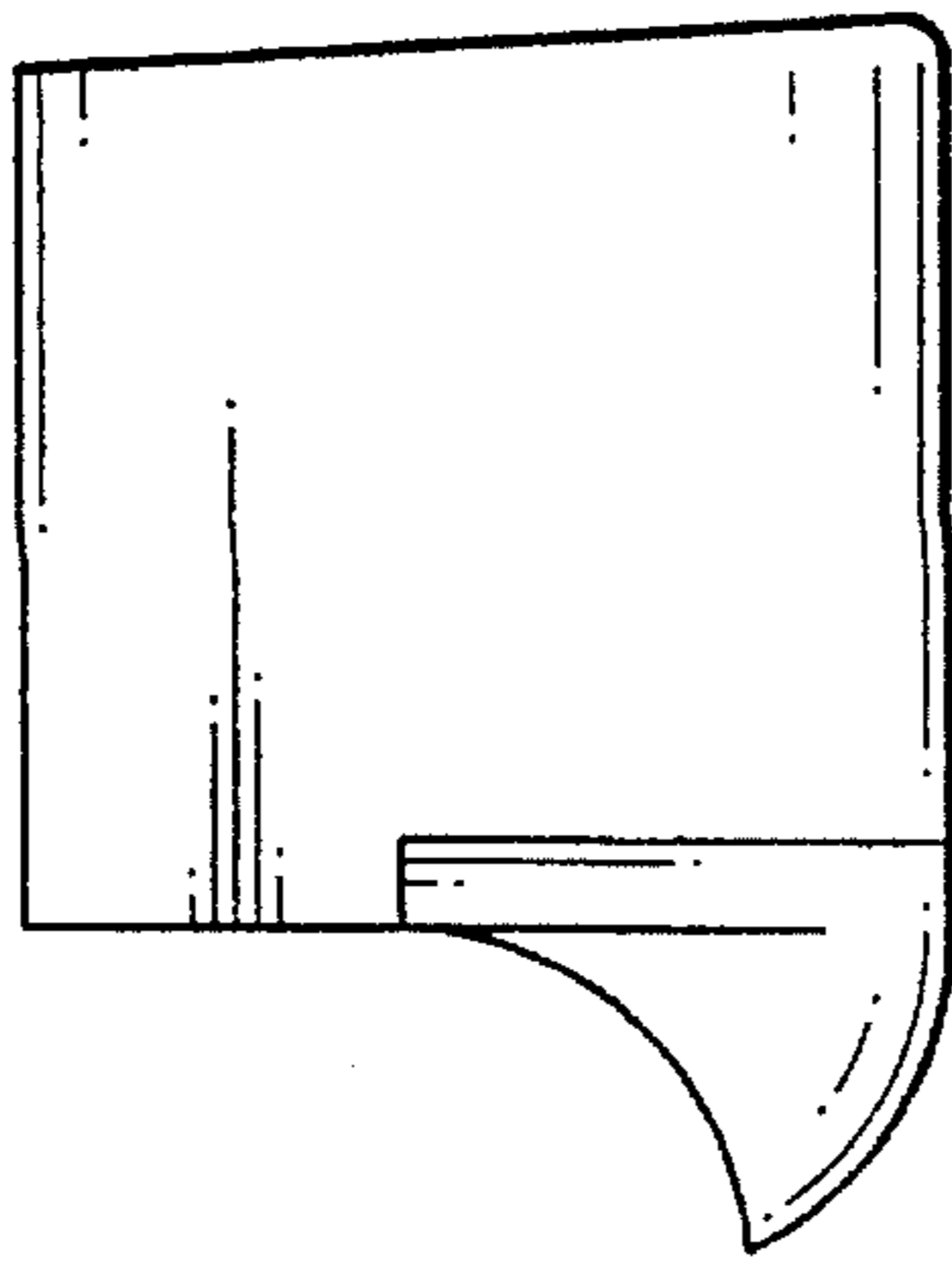


Fig. 6

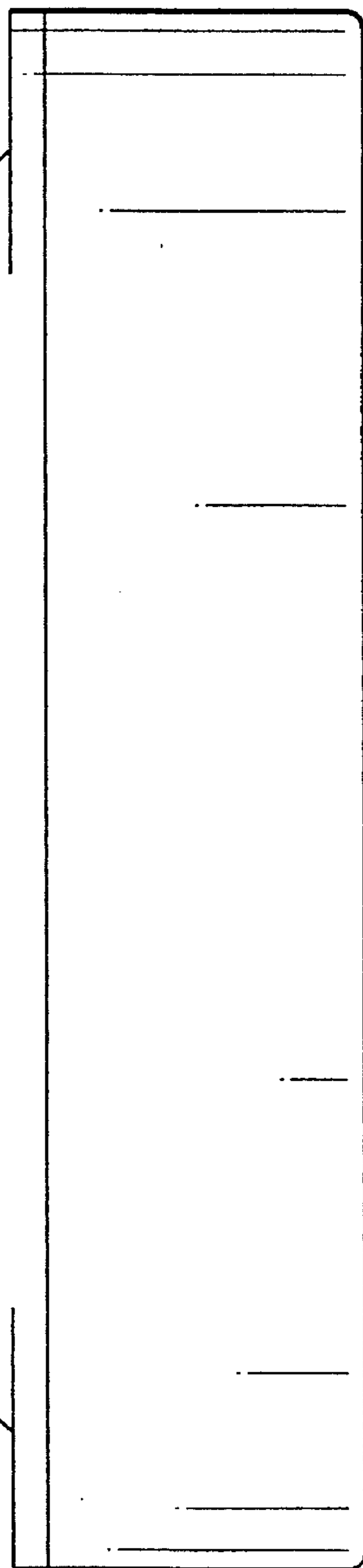


Fig. 7