



US00D367691S

United States Patent [19]

[11] **Patent Number:** **Des. 367,691**

Lee et al.

[45] **Date of Patent:** ****Mar. 5, 1996**

[54] **GOLF PUTTER HEAD**

[75] Inventors: **Dennis Lee**, St. Charles; **Richard Buckles**, Buffalo Grove; **Robert Good**, Kildeer, all of Ill.

[73] Assignee: **The Clear Difference Co.**, Lake Zurich, Ill.

[**] Term: **14 Years**

[21] Appl. No.: **33,615**

[22] Filed: **Jan. 17, 1995**

[52] U.S. Cl. **D21/217**

[58] Field of Search **D21/217-219;**
273/167-175

[56] **References Cited**

U.S. PATENT DOCUMENTS

D. 271,317	11/1983	Bretl	D21/219
D. 277,594	2/1985	Mundt	D21/218
D. 300,839	4/1989	Dupont	D21/218
D. 350,998	9/1994	Wooten	D21/217

OTHER PUBLICATIONS

Golf Digest; May 1972; p. 103; putter on left of page.
Golf World; Sep. 9, 1977; p. 13; "Pulse Putter".

Primary Examiner—Ted Shooman

Assistant Examiner—Mitchell I. Siegel
Attorney, Agent, or Firm—Hill, Steadman & Simpson

[57] **CLAIM**

The ornamental design for a golf putter head, as shown and described.

DESCRIPTION

FIG. 1 is a perspective view of a golf putter head showing our new design;

FIG. 2 is a top view thereof;

FIG. 3 is a front view thereof;

FIG. 4 is a left end view thereof;

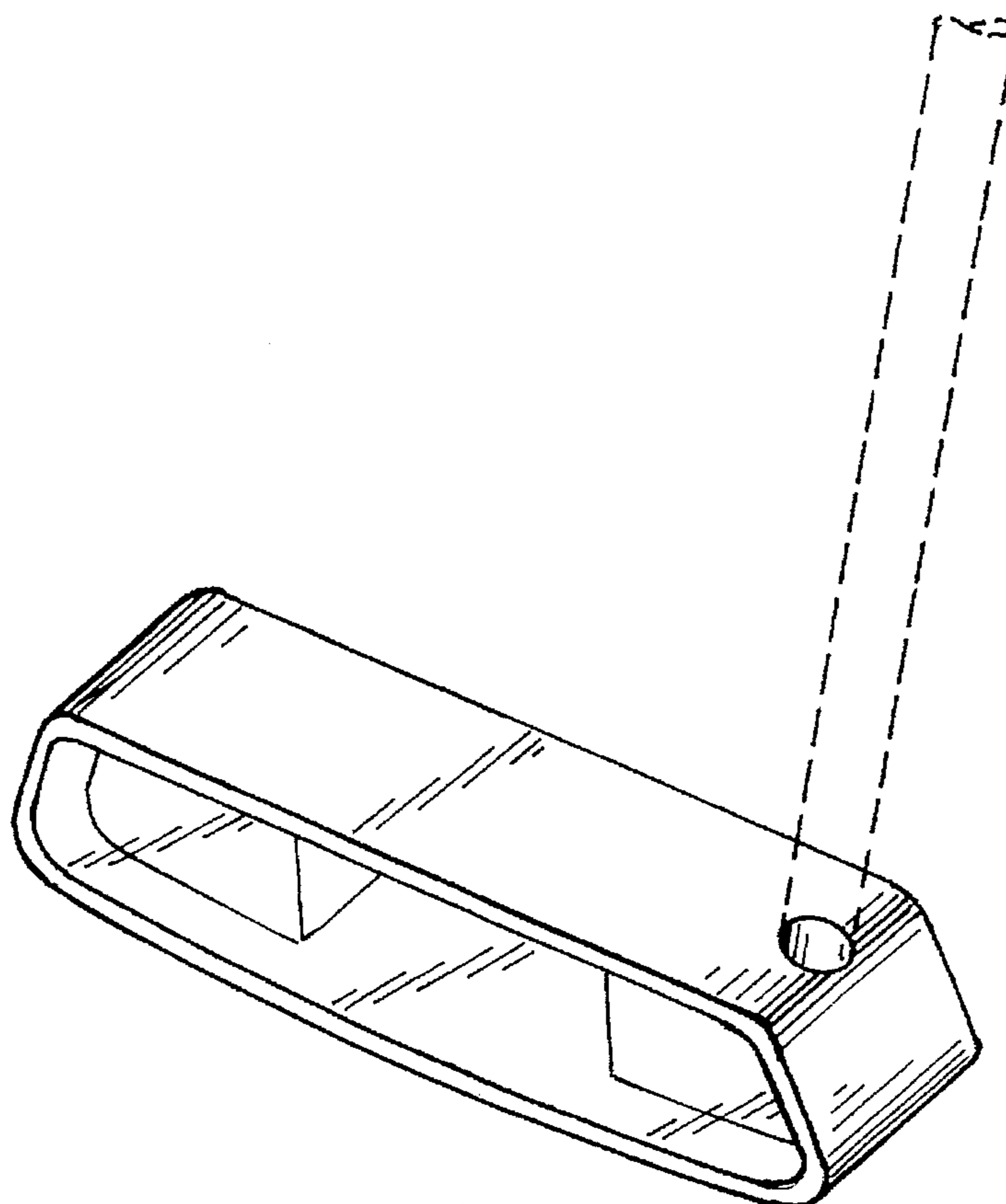
FIG. 5 is a right end view thereof;

FIG. 6 is a bottom view thereof; and,

FIG. 7 is a rear view thereof.

The broken line showing of a fragmented shaft on FIG. 1 is for illustrative purposes only and forms no part of the claimed design.

1 Claim, 1 Drawing Sheet



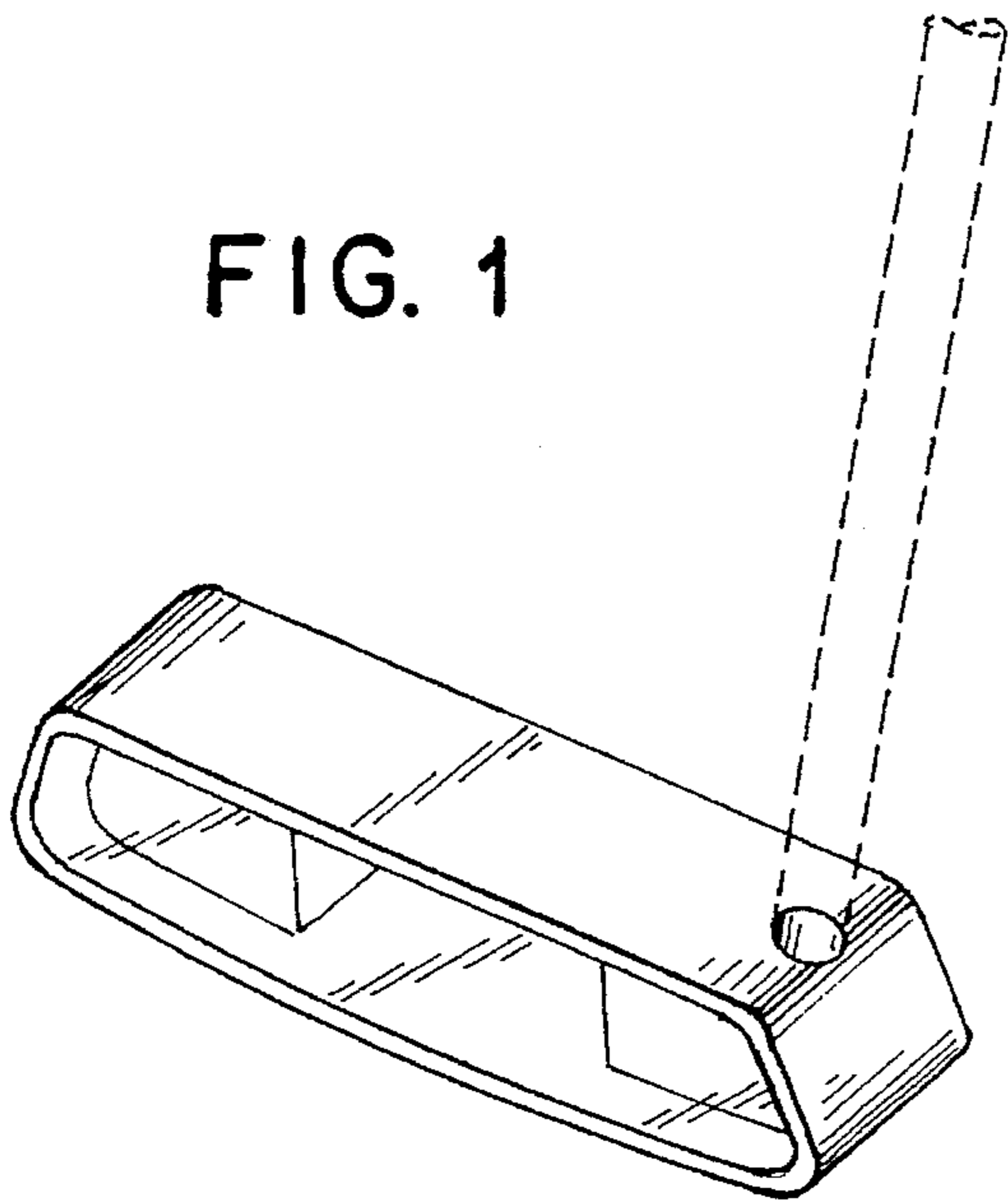


FIG. 2



FIG. 3

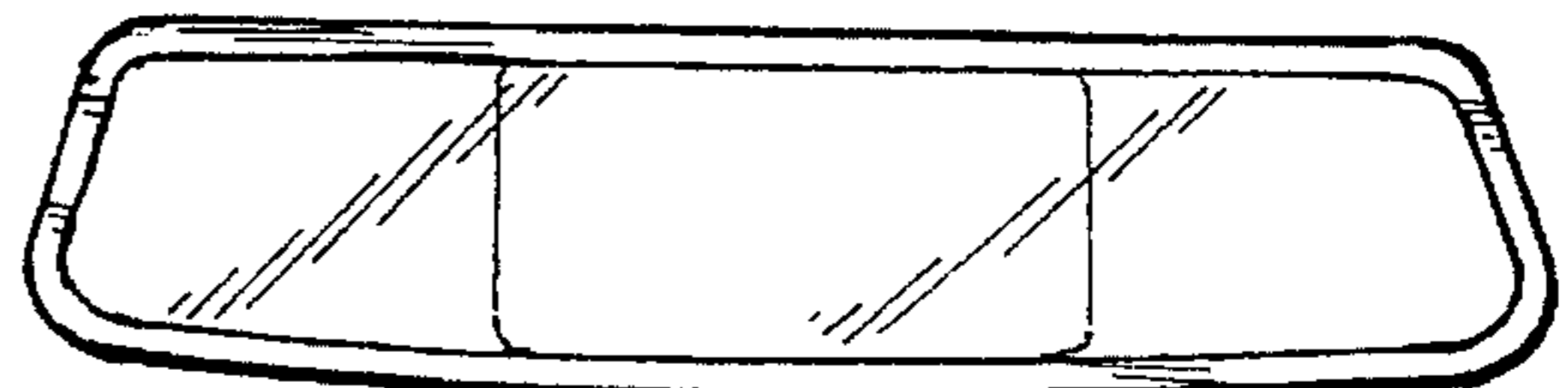


FIG. 4



FIG. 5



FIG. 6

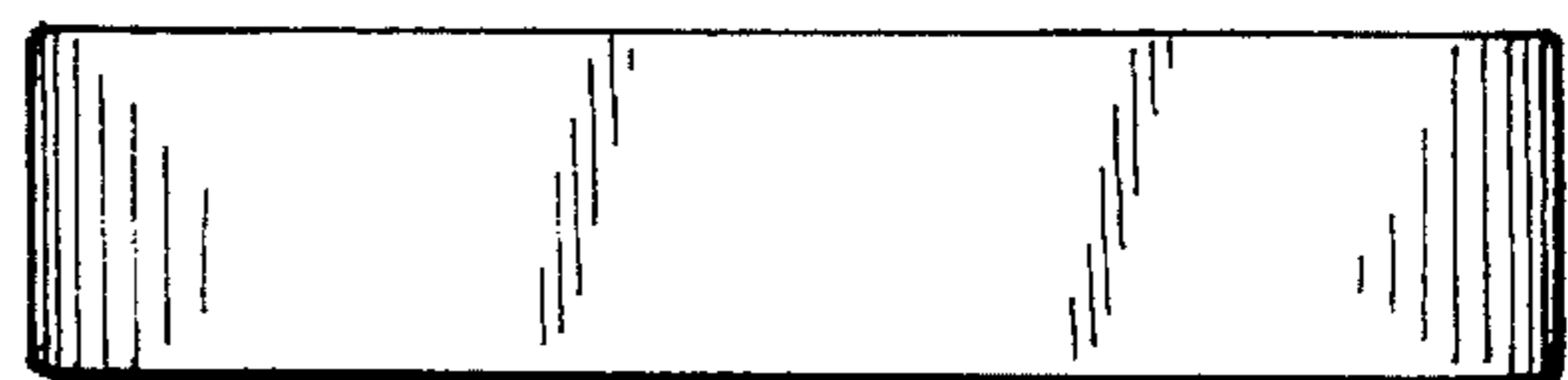


FIG. 7

