



US00D367689S

United States Patent [19]

Wilkinson et al.

[11] Patent Number: **Des. 367,689**

[45] Date of Patent: ****Mar. 5, 1996**

[54] **EXERCISE MACHINE**

[75] Inventors: **Kerry Wilkinson**, Phoenix, Ariz.; **Gary H. Smith**, Salt Lake City, Utah

[73] Assignee: **ExerHealth, Inc.**, Salt Lake City, Utah

[**] Term: **14 Years**

[21] Appl. No.: **37,394**

[22] Filed: **Apr. 11, 1995**

[52] U.S. Cl. **D21/195**

[58] Field of Search D21/191, 192, D21/193, 194, 195; 482/51, 57, 62, 72, 95, 96, 137

[56] **References Cited**

U.S. PATENT DOCUMENTS

D. 174,738	5/1955	Cowgill	D21/195
D. 344,112	2/1994	Smith	D21/195
D. 356,128	3/1995	Smith et al.	D21/195
D. 358,437	5/1995	Wang et al.	D21/191
5,178,599	1/1993	Scott	482/96

5,342,269	8/1994	Huang et al.	482/96
5,356,358	10/1994	Chen	482/57
5,366,428	11/1994	Liao	482/57

Primary Examiner—Philip S. Hyder
Attorney, Agent, or Firm—Mallinckrodt & Mallinckrodt

[57] **CLAIM**

The ornamental design for an exercise machine, as shown and described.

DESCRIPTION

FIG. 1 is a front and right side perspective view of an exercise machine showing our new design; FIG. 2 is a left side elevational view, the right side view being a mirror image thereof; FIG. 3 is a top plan view; FIG. 4 is a bottom plan view; FIG. 5 is a front elevational view; and, FIG. 6 is a rear elevational view. The handle bar has been shown fragmentarily in FIGS. 3, 5, and 6, for ease of illustration.

1 Claim, 3 Drawing Sheets



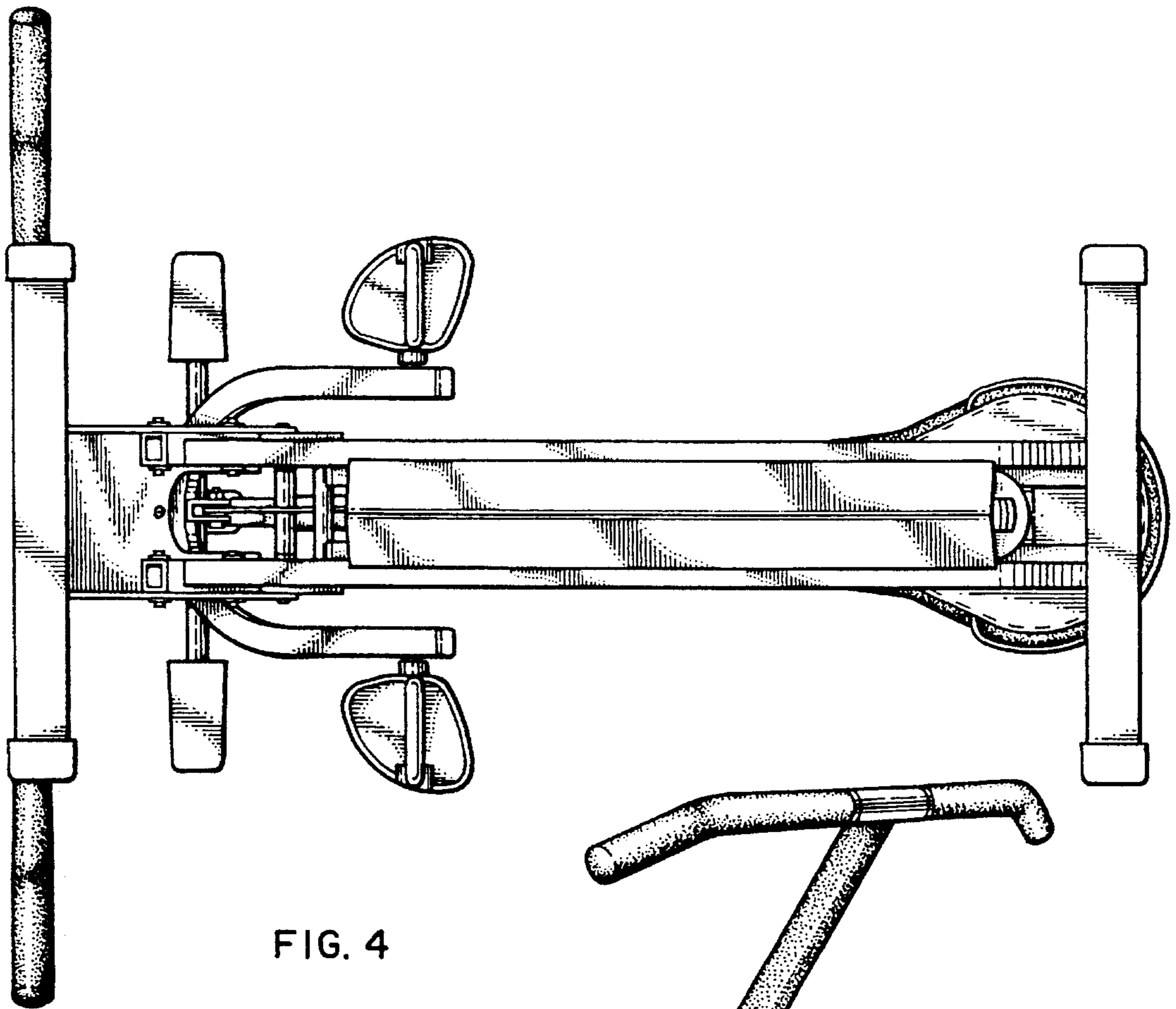


FIG. 4

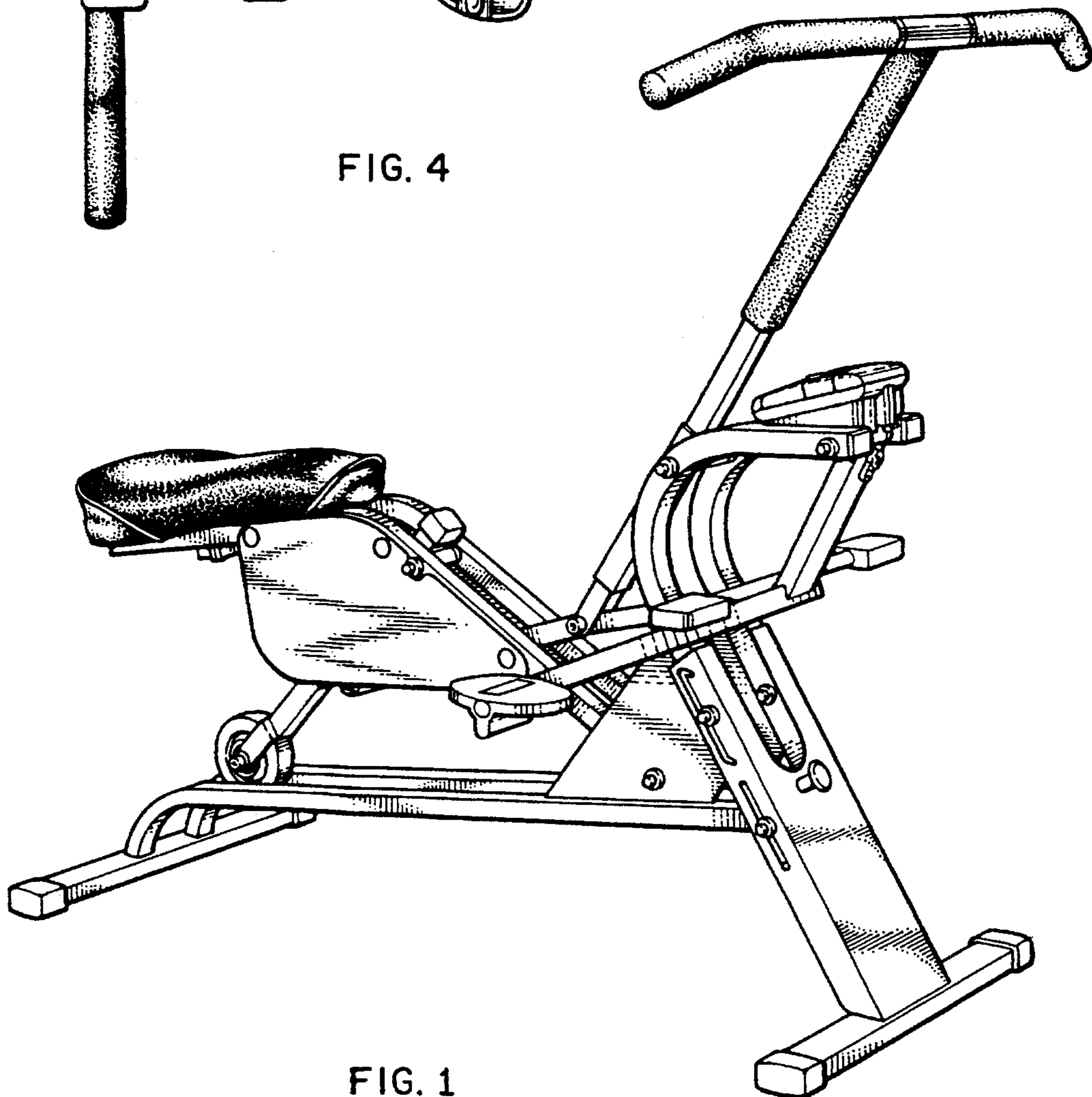


FIG. 1

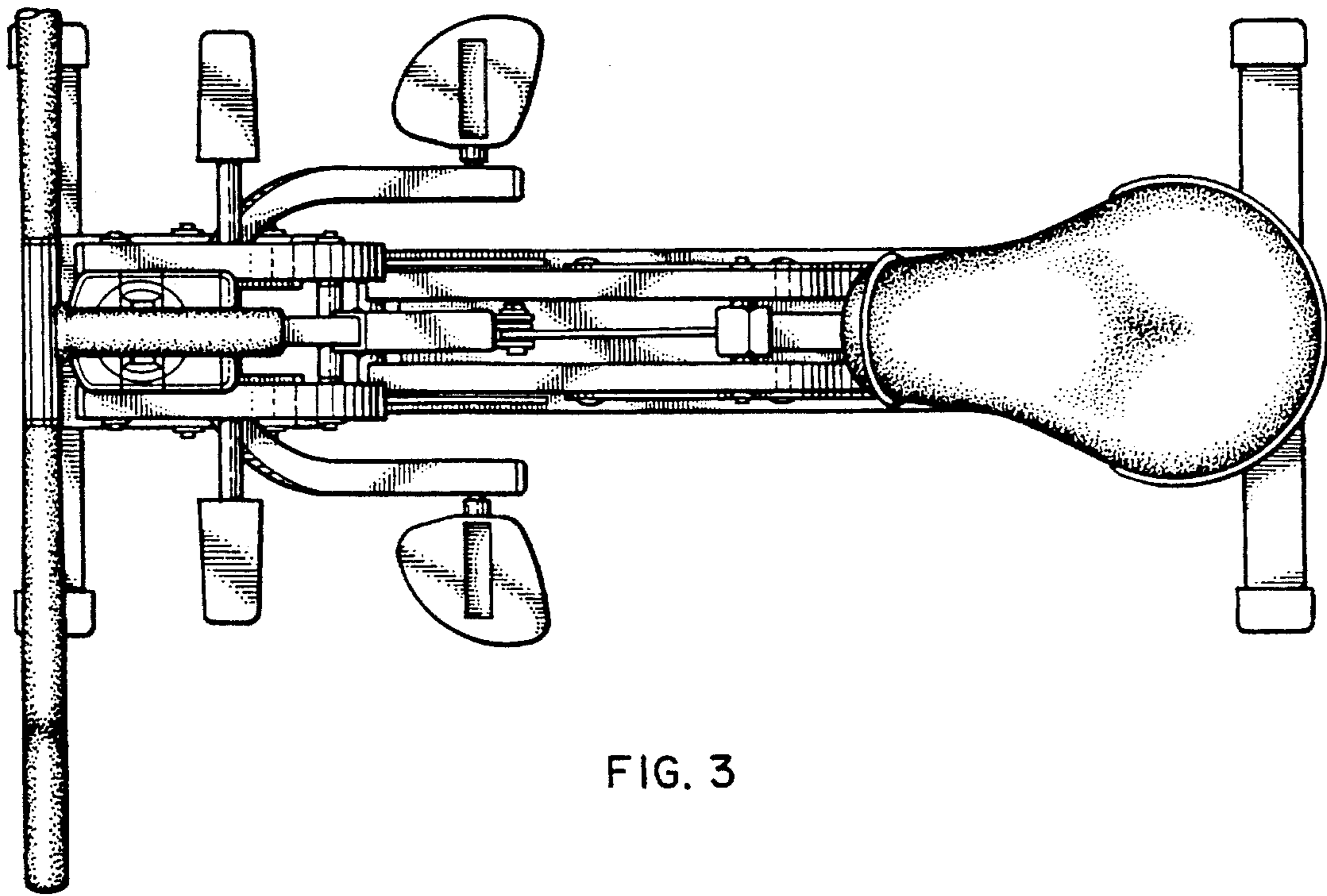


FIG. 3

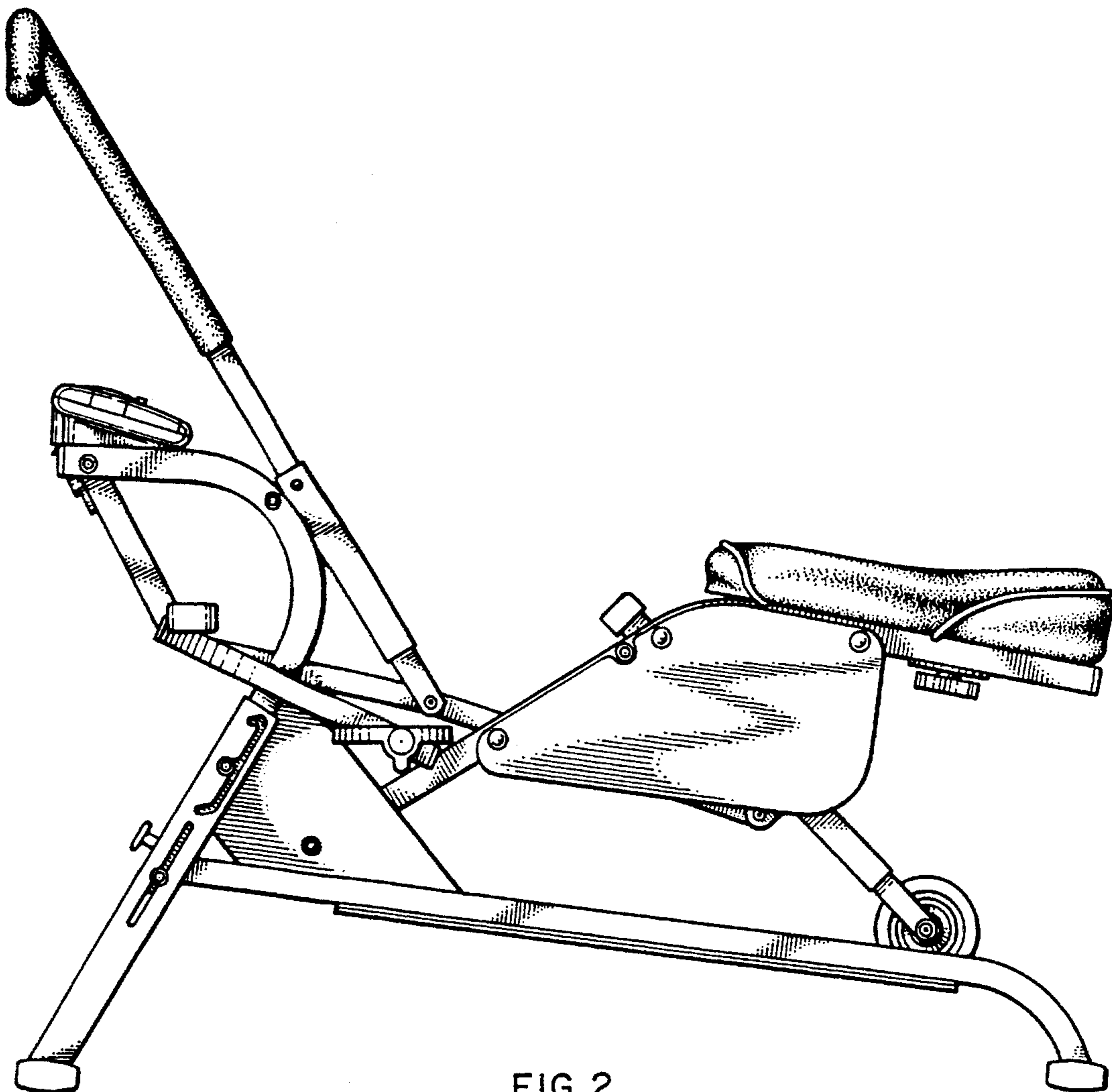


FIG. 2

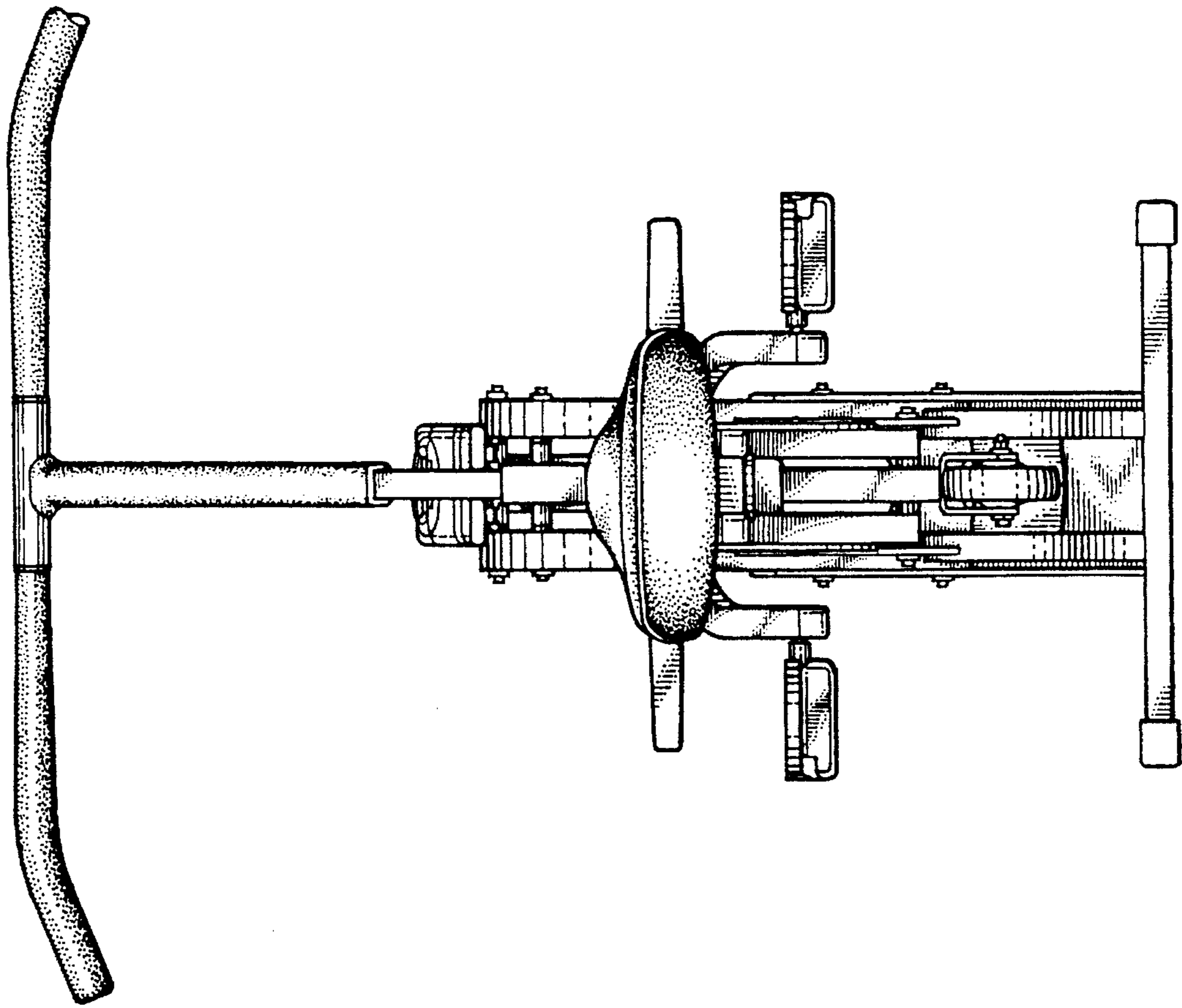


FIG. 6

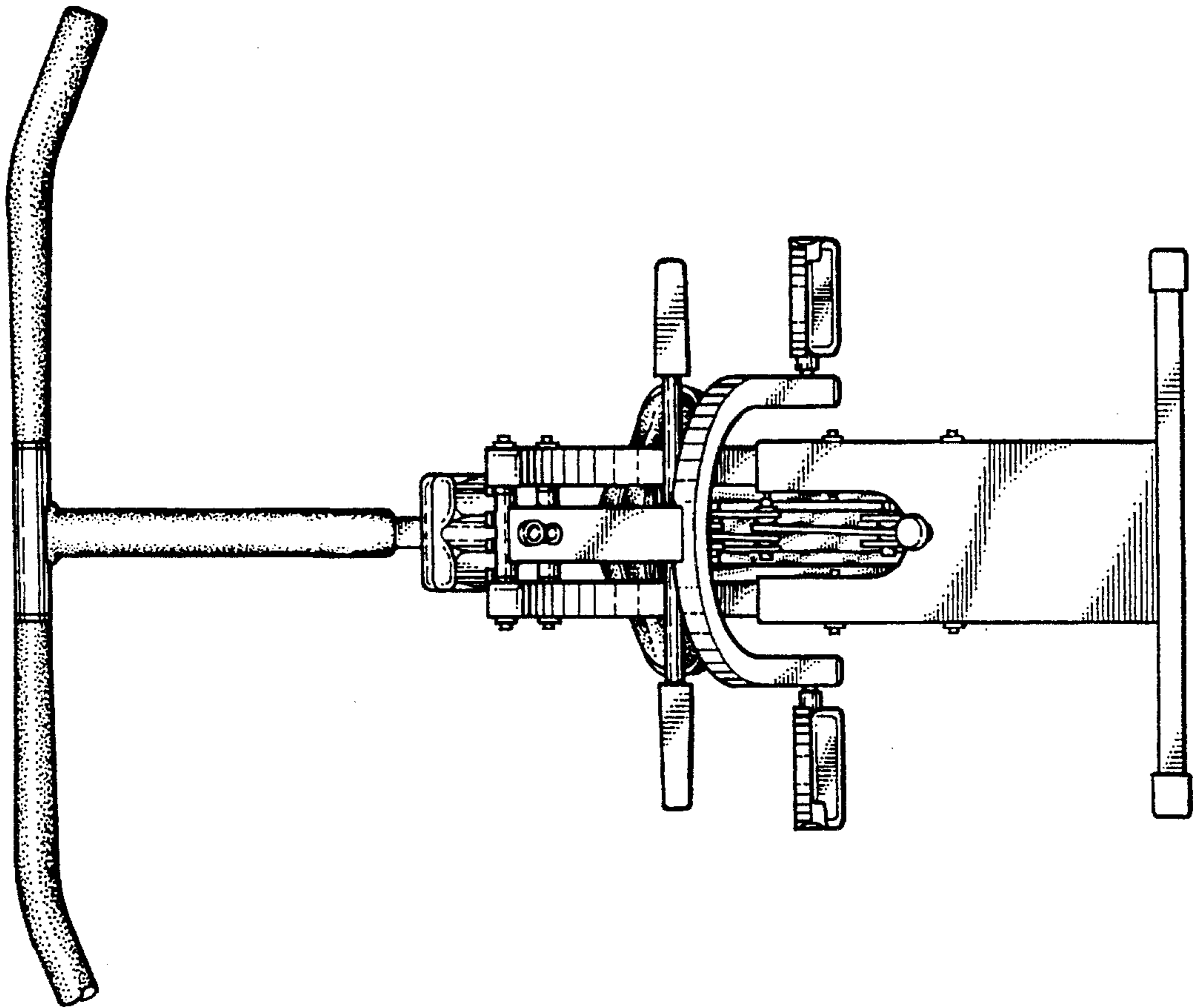


FIG. 5