



US00D367688S

# United States Patent [19]

[11] Patent Number: **Des. 367,688**

Dixon et al.

[45] Date of Patent: **\*\*Mar. 5, 1996**

[54] **EXERCISER**

4,582,318	4/1986	Giannelli et al. ....	482/62
4,842,269	6/1989	Huang .....	482/62
5,044,627	9/1991	Huang .....	482/62
5,330,402	7/1944	Johnson .....	482/62

[75] Inventors: **William L. Dixon, Bixby; James E. Riley, Tulsa, both of Okla.**

[73] Assignee: **Sinties Corporation, Tulsa, Okla.**

[\*\*] Term: **14 Years**

*Primary Examiner*—Ted Shooman  
*Assistant Examiner*—Philip Hyder  
*Attorney, Agent, or Firm*—Bill D. McCarthy

[21] Appl. No.: **21,883**

[57] **CLAIM**

[22] Filed: **Apr. 25, 1994**

The ornamental design for an exerciser, as shown.

[52] U.S. Cl. .... **D21/194; D21/195**

**DESCRIPTION**

[58] **Field of Search** ..... D21/191, 194,  
D21/195; 482/51, 57, 58, 59, 62

FIG. 1 is an elevational view of the right side of an exerciser, showing our new design;

FIG. 2 is an elevational view of the front thereof;

FIG. 3 is an elevational view of the rear thereof;

FIG. 4 is an elevational view of the left side thereof;

FIG. 5 is a plan view of the top thereof;

FIG. 6 is a plan view of the bottom thereof; and,

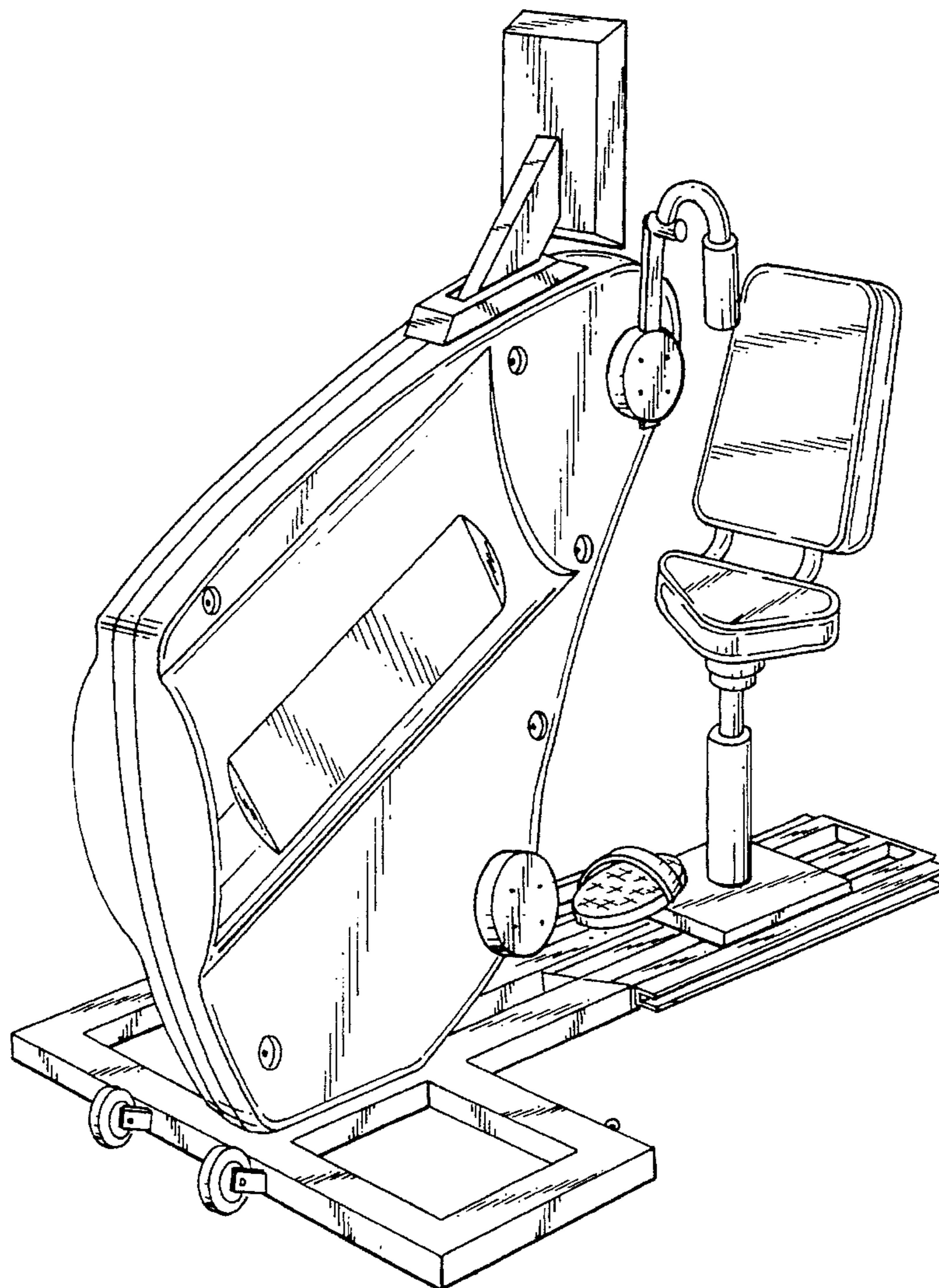
FIG. 7 is a perspective view thereof.

[56] **References Cited**

**U.S. PATENT DOCUMENTS**

D. 191,792	11/1961	Maratta .....	D21/194
D. 279,918	7/1985	Stumbaugh et al. ....	D21/194
D. 283,151	3/1986	Knief .....	D21/194
D. 305,347	1/1990	Wittenbrock et al. ....	D21/194
4,071,235	1/1978	Zent .....	482/62

**1 Claim, 3 Drawing Sheets**



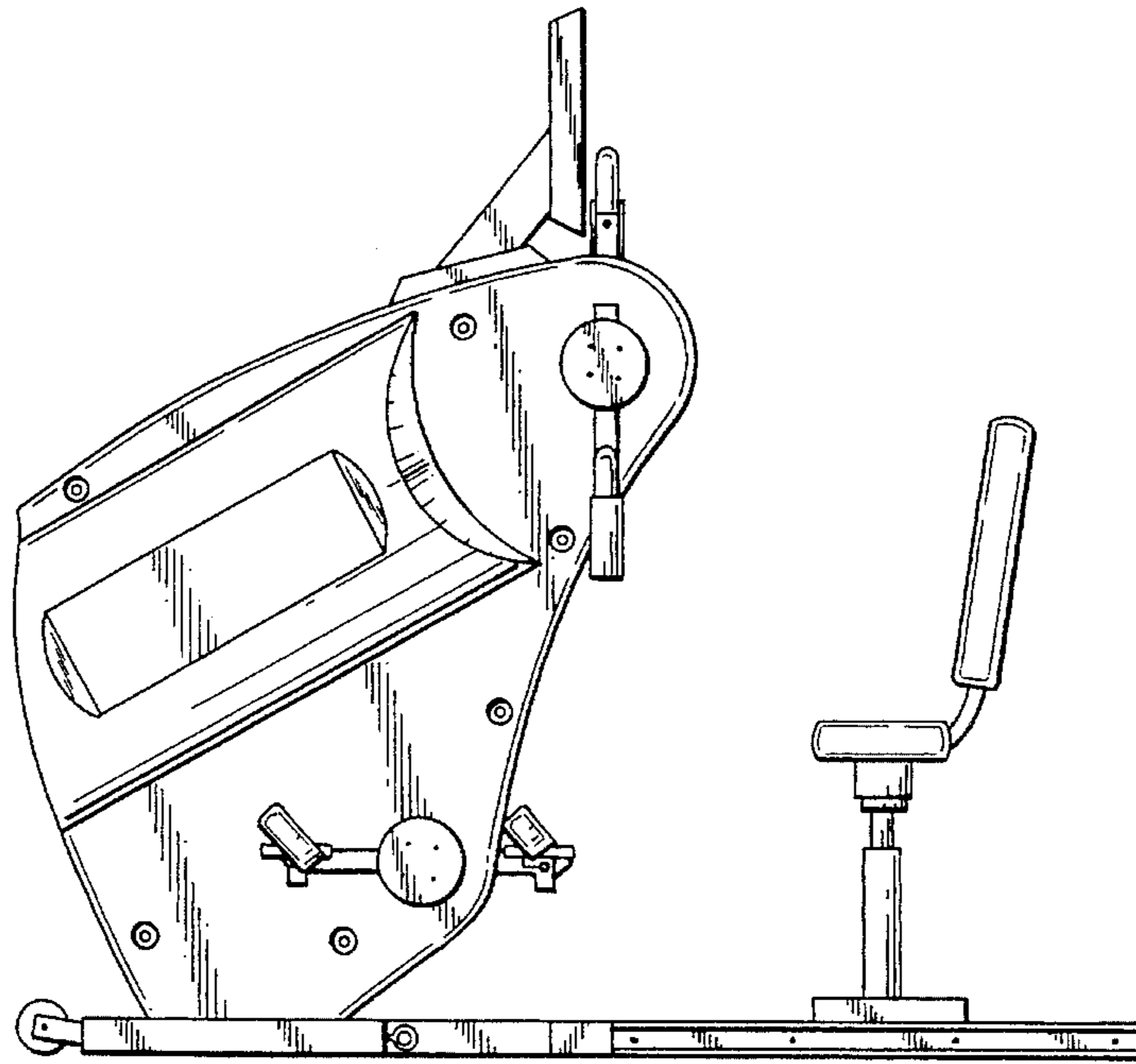


FIG. 1

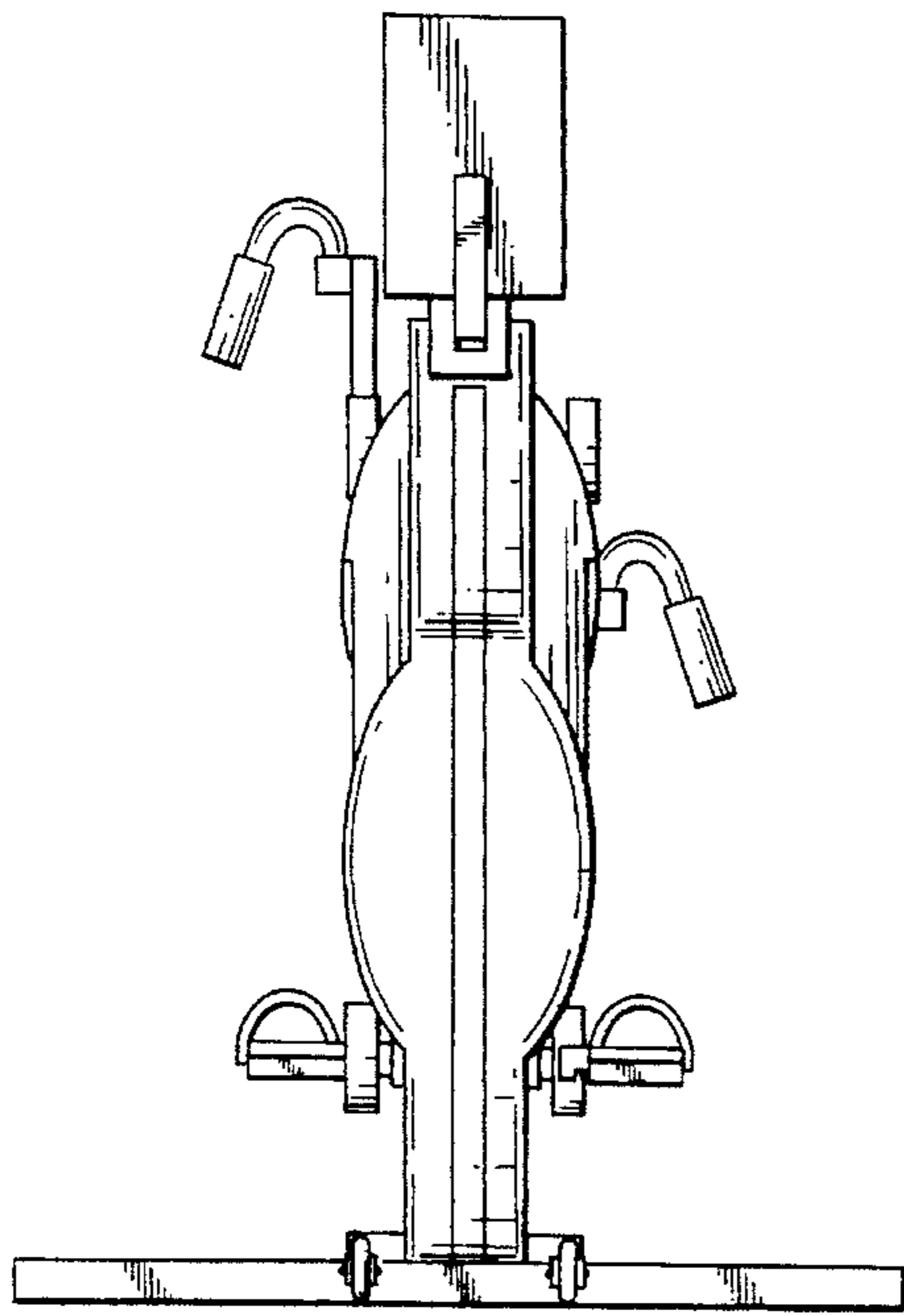


FIG. 2

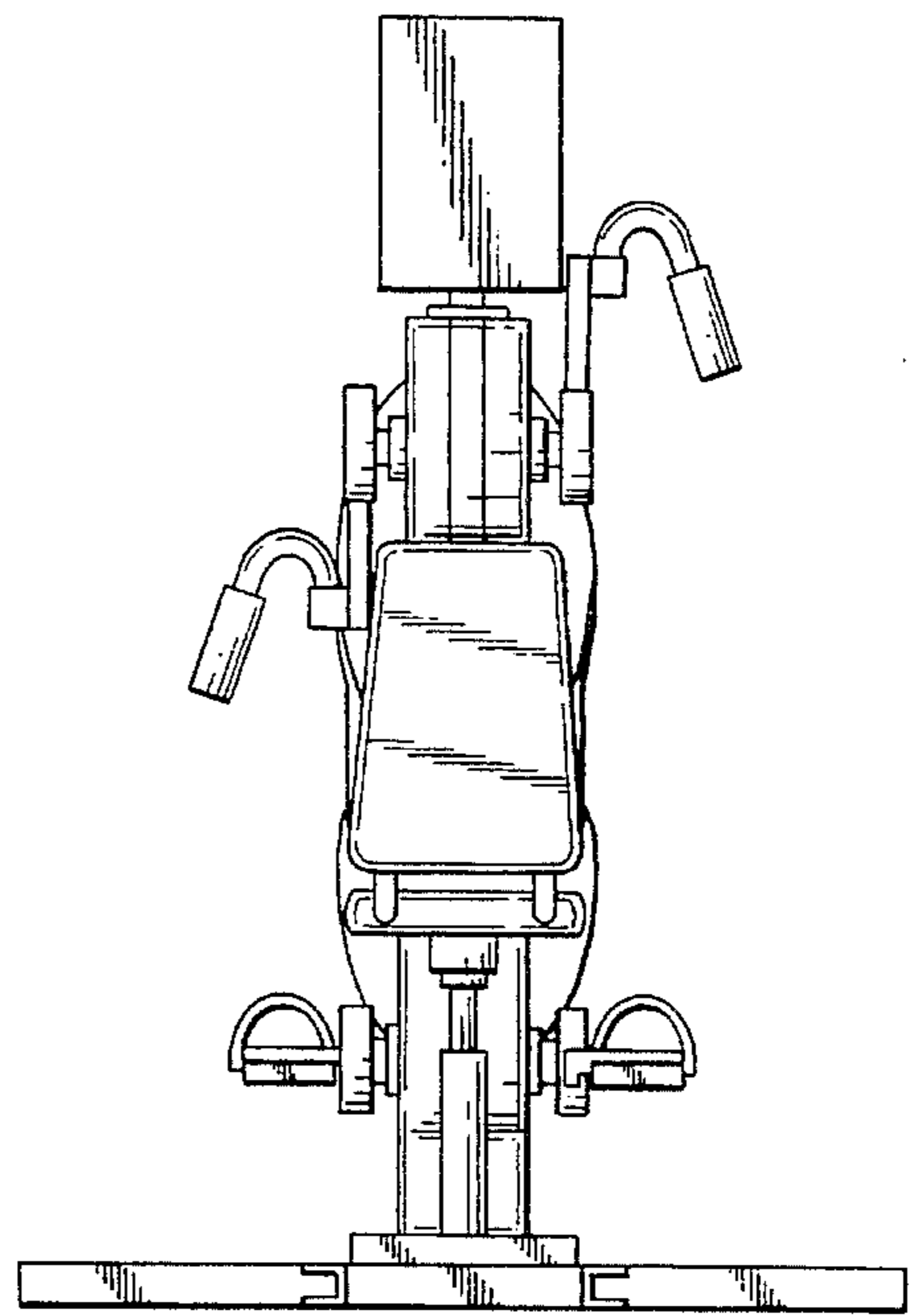
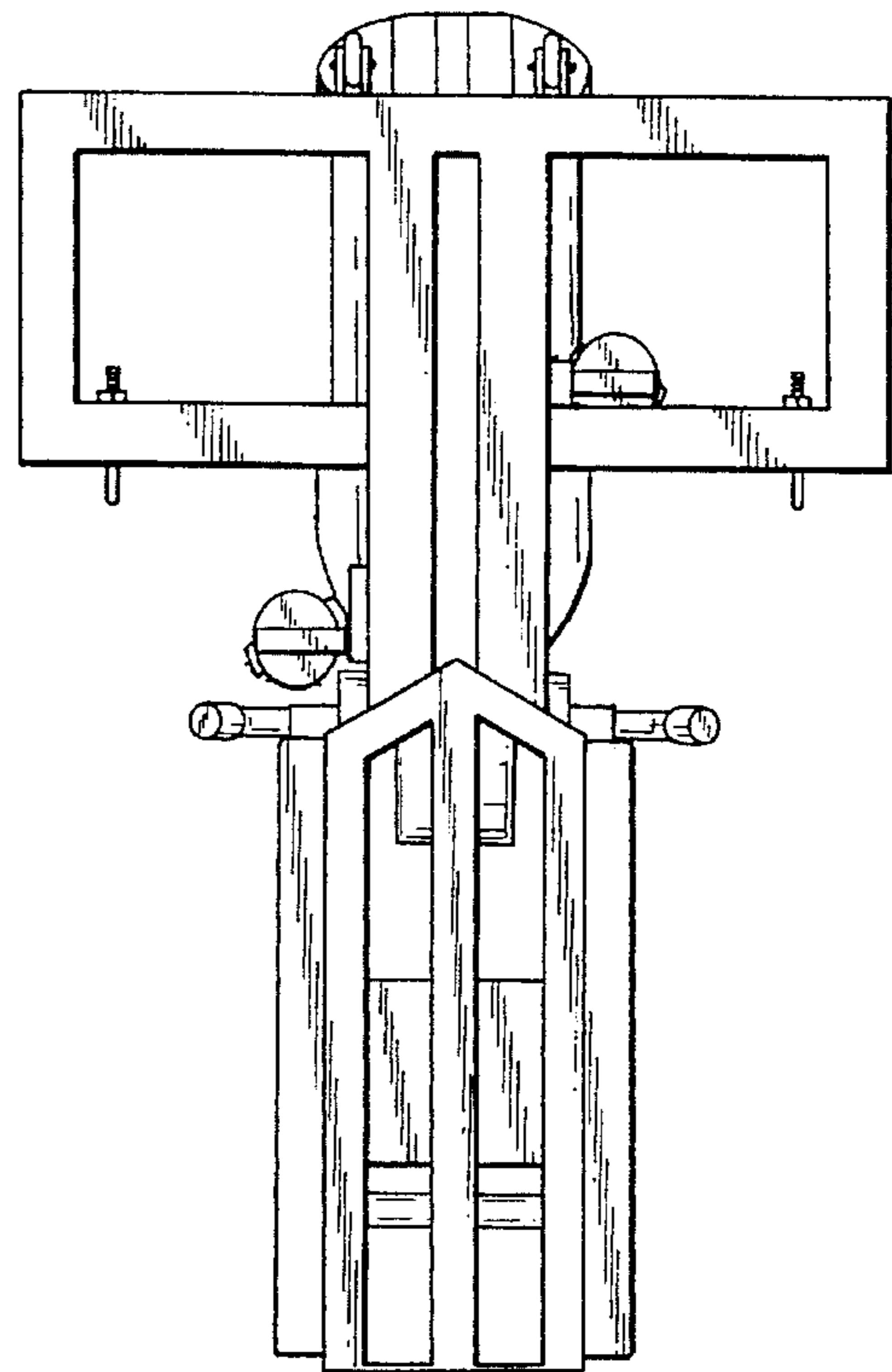
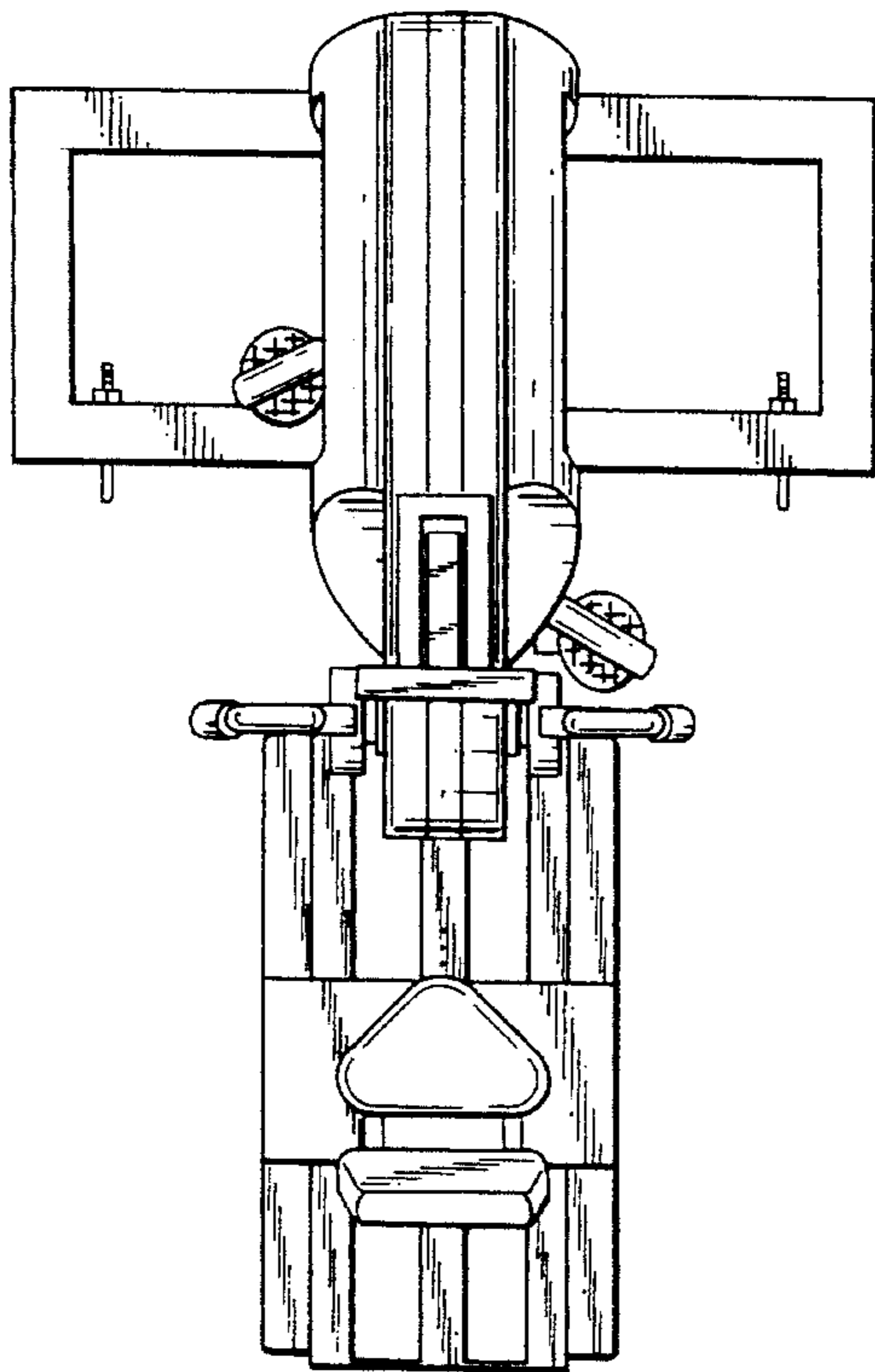
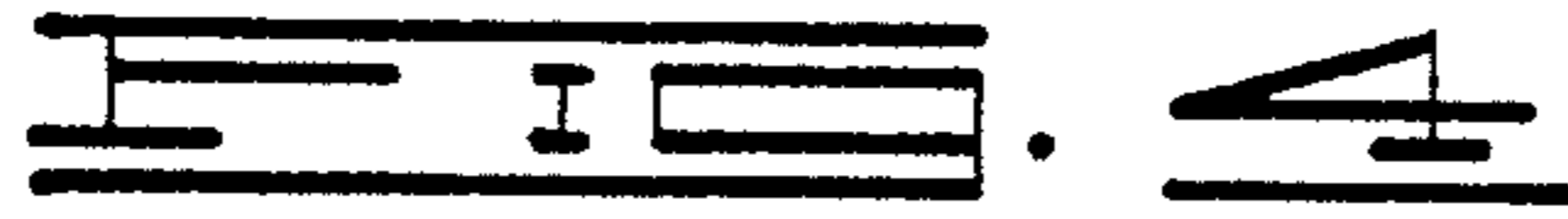
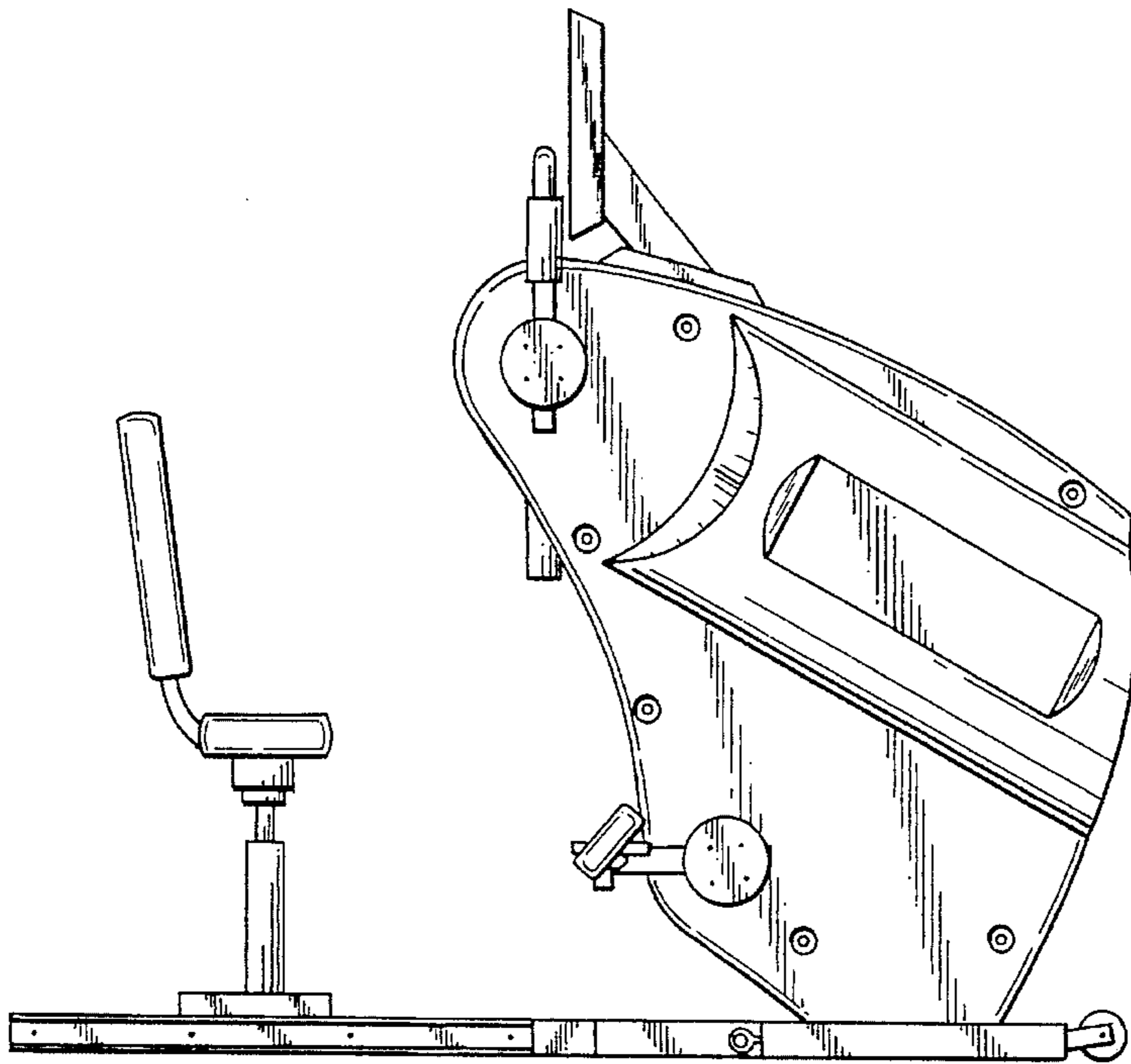


FIG. 3





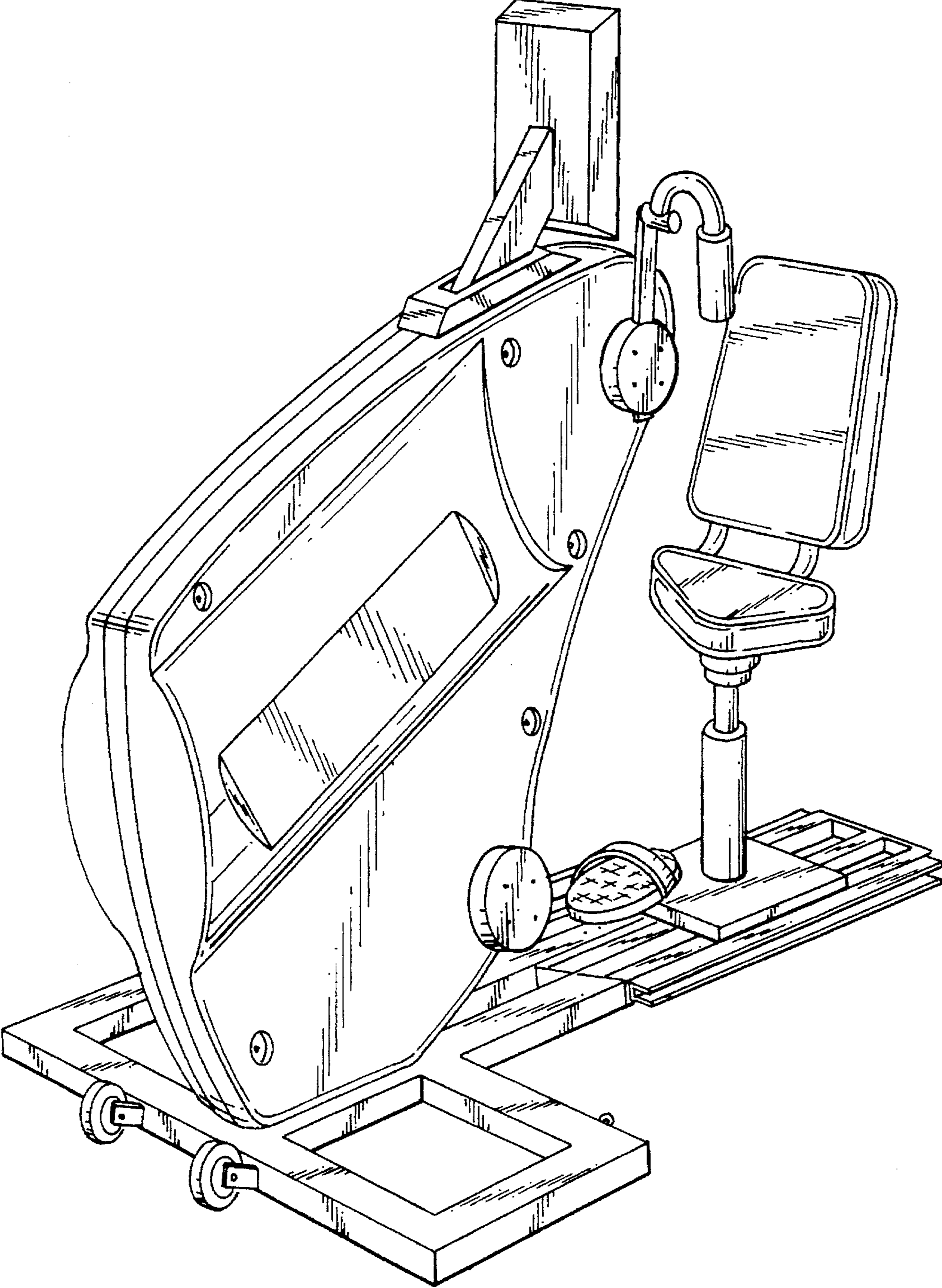


FIG. 2