



US00D367687S

United States Patent [19]
Carter

[11] **Patent Number:** **Des. 367,687**
[45] **Date of Patent:** ****Mar. 5, 1996**

[54] **ENCLOSURE FOR AN AUDIO-VISUAL EXERCISE BICYCLE**

5,240,417 8/1993 Smithson et al. 482/57

[76] Inventor: **James M. Carter**, 204 Norwood Ave. - West, Memphis, Tenn. 38109

Primary Examiner—Ted Shooman
Assistant Examiner—Philip Hyder
Attorney, Agent, or Firm—Terry M. Gernstein

[**] Term: **14 Years**

[57] **CLAIM**

[21] Appl. No.: **17,944**

The ornamental design for an enclosure for an audio-visual exercise bicycle, as shown and described.

[22] Filed: **Jan. 26, 1994**

DESCRIPTION

[52] U.S. Cl. **D21/194; D21/13**

[58] **Field of Search** D21/11, 13, 191, D21/192, 194, 195; D12/402, 114, 105, 102; 482/57, 9, 901, 902; 434/61, 247

FIG. 1 is a front, top and side perspective view of the enclosure for an audio-visual exercise bicycle showing my new design;

FIG. 2 is a front elevational view thereof;

FIG. 3 is a rear elevational view thereof;

FIG. 4 is an end elevational view thereof;

FIG. 5 is an end elevational view thereof;

FIG. 6 is a top plan view thereof; and,

FIG. 7 is a bottom plan view thereof.

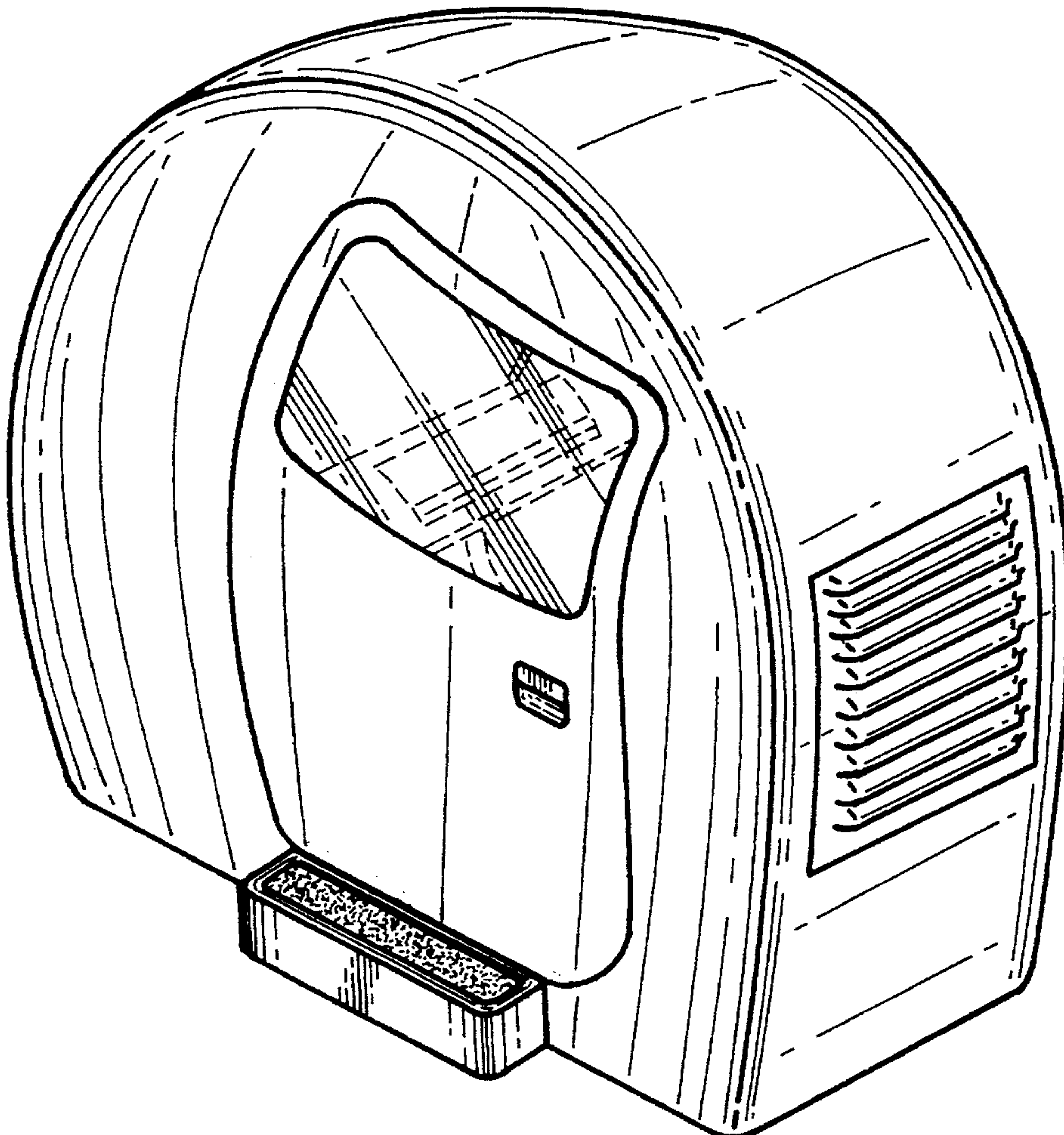
The broken line showing of the interior of the enclosure is for illustrative purposes only and forms no part of the claimed design.

[56] **References Cited**

U.S. PATENT DOCUMENTS

D. 218,107	7/1970	Feather	D21/194
D. 243,626	3/1977	Cheng	D21/13
D. 272,335	1/1984	Bauer	D12/402
2,504,007	4/1950	Declerco .	
4,298,893	11/1981	Holmes	358/190
4,512,566	4/1985	Biocchi .	
5,054,771	10/1991	Mansfield	482/902

1 Claim, 4 Drawing Sheets



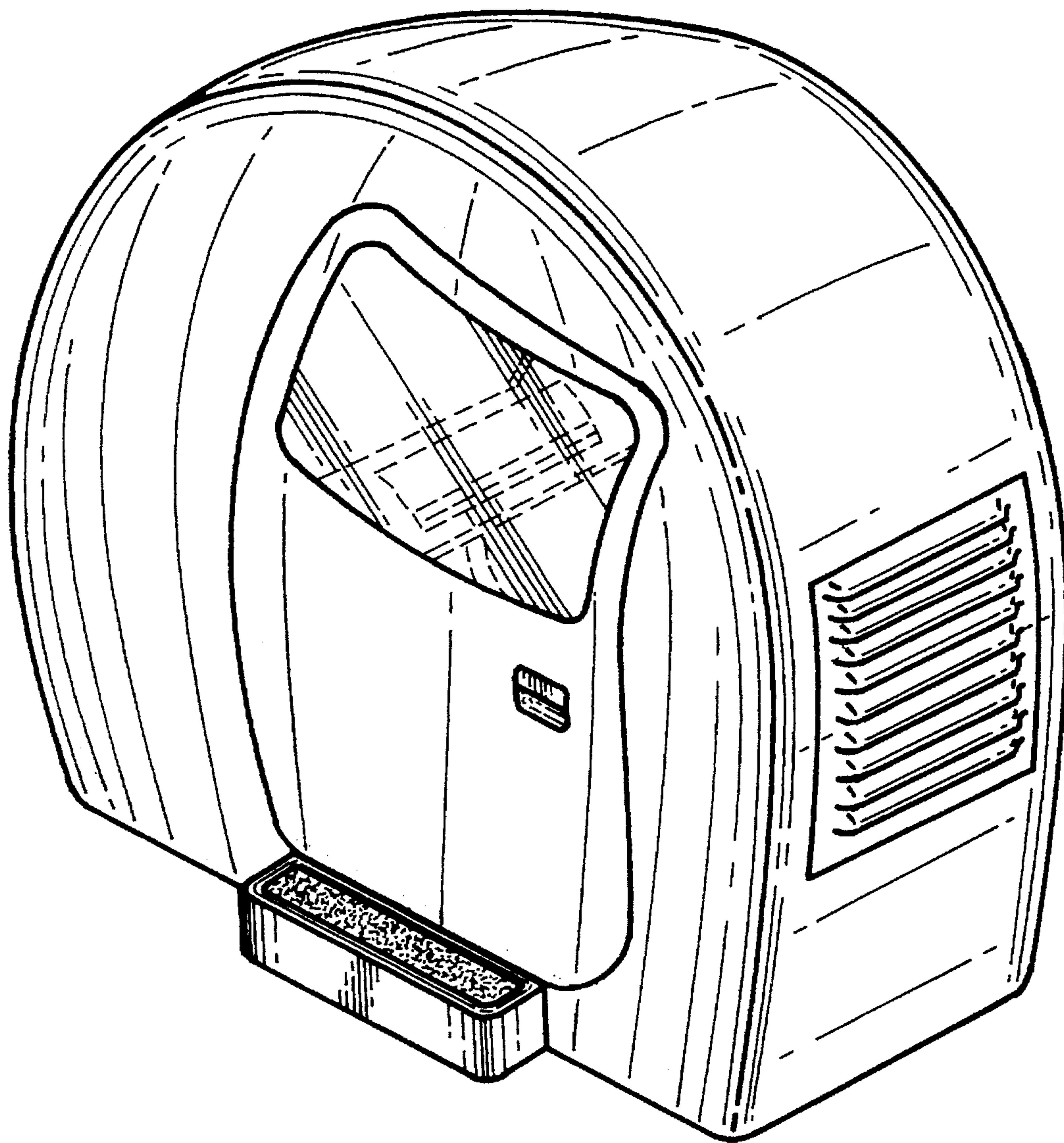


FIG.1

FIG. 2

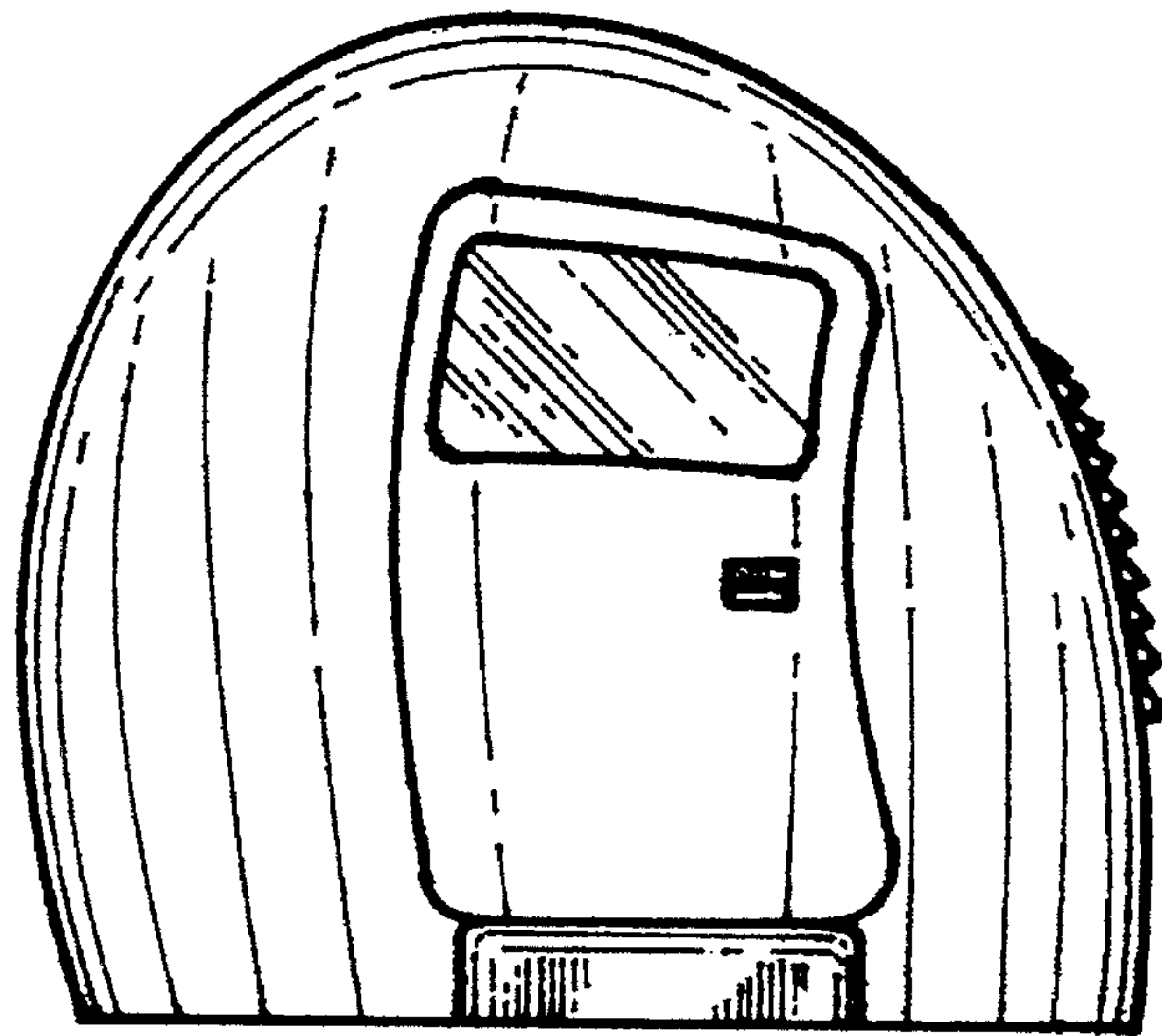


FIG. 3

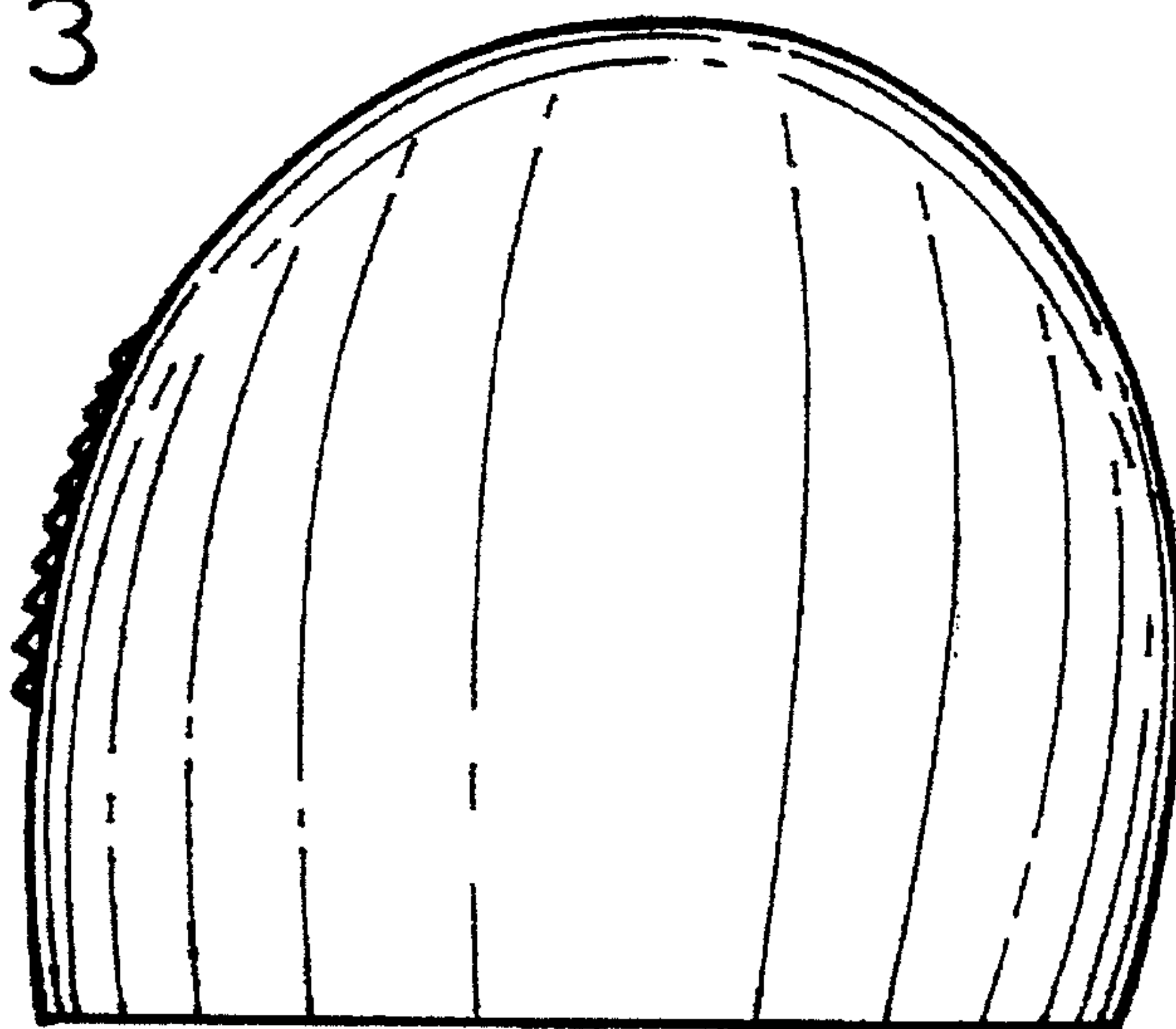


FIG. 4

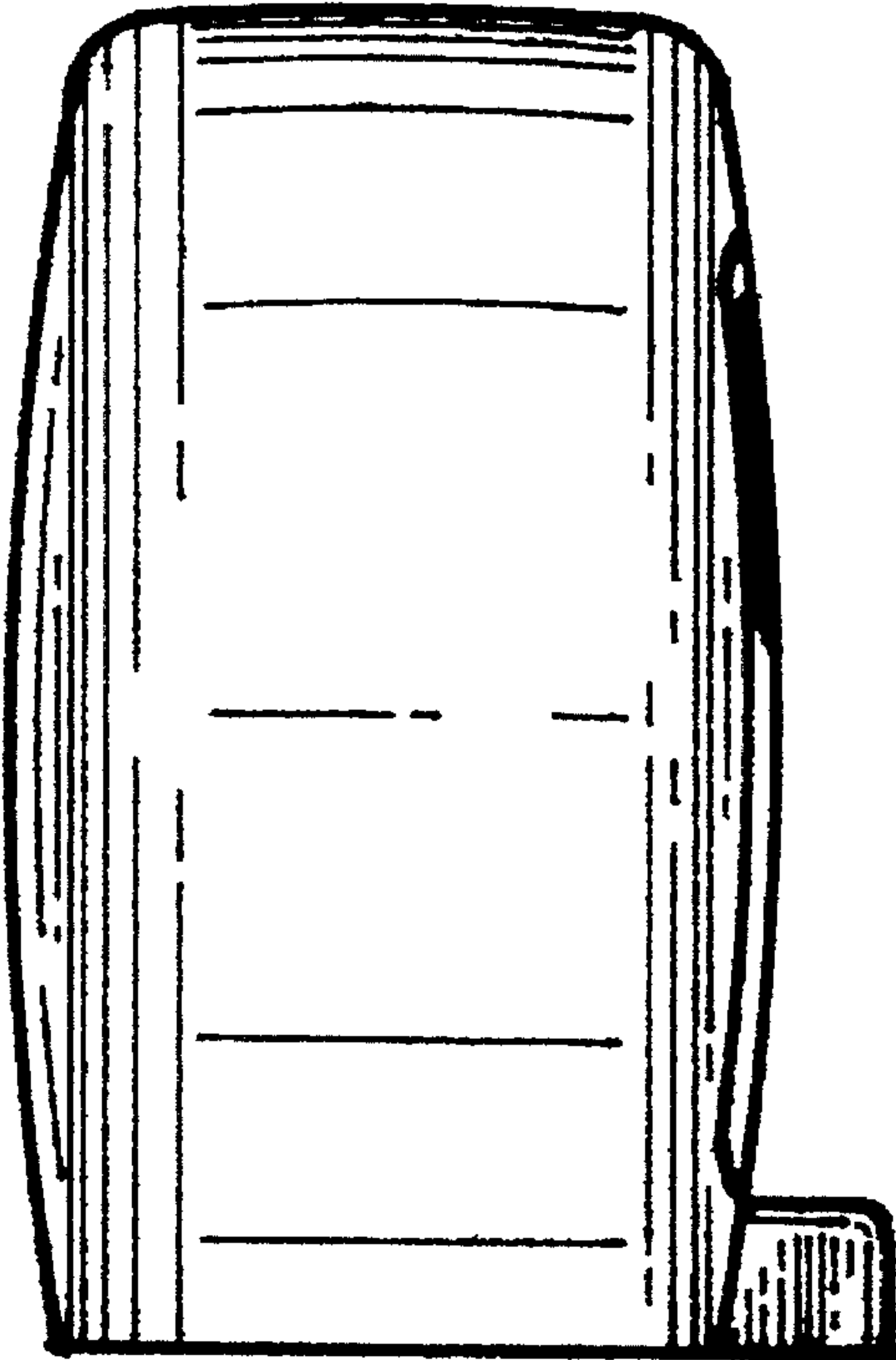
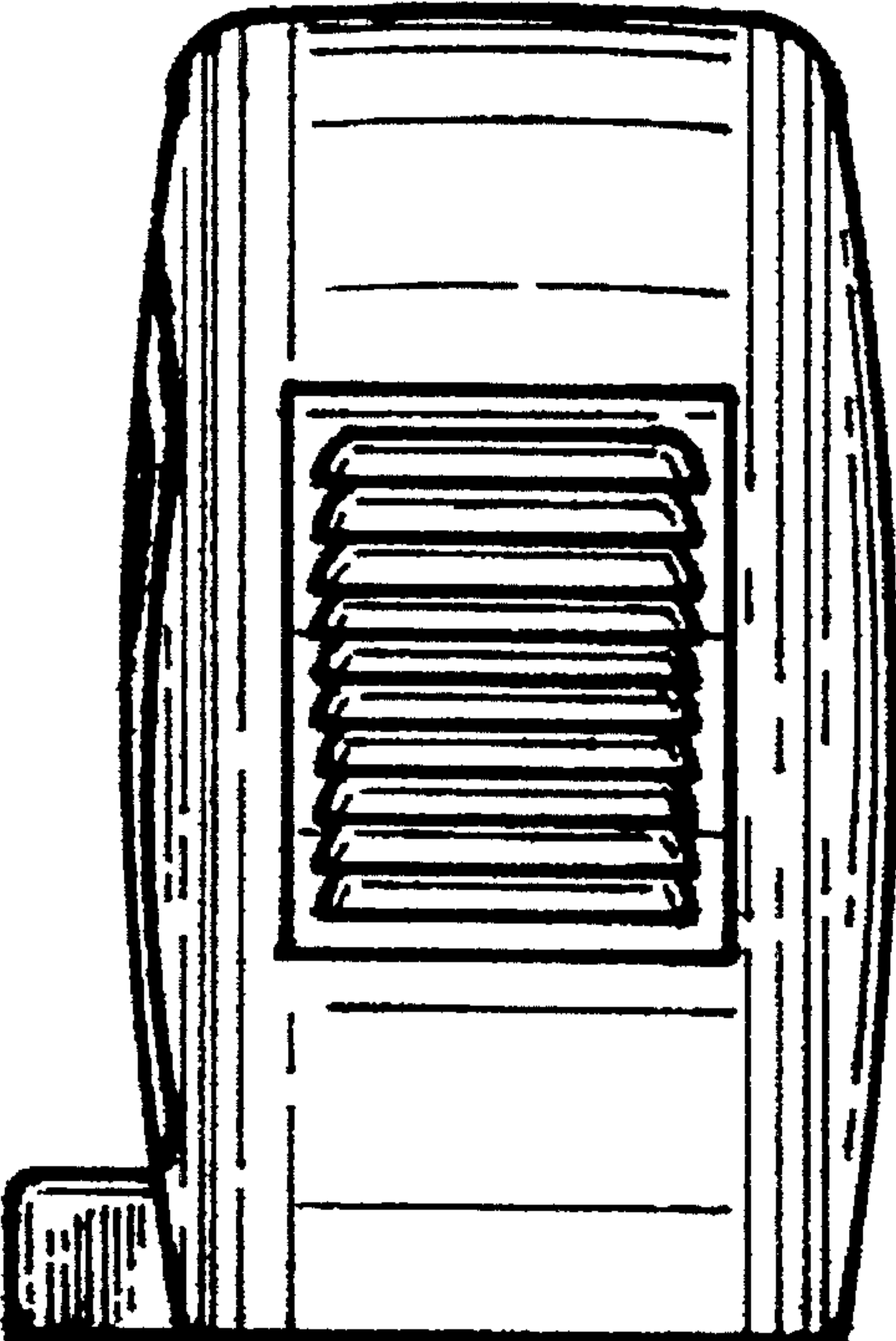


FIG. 5



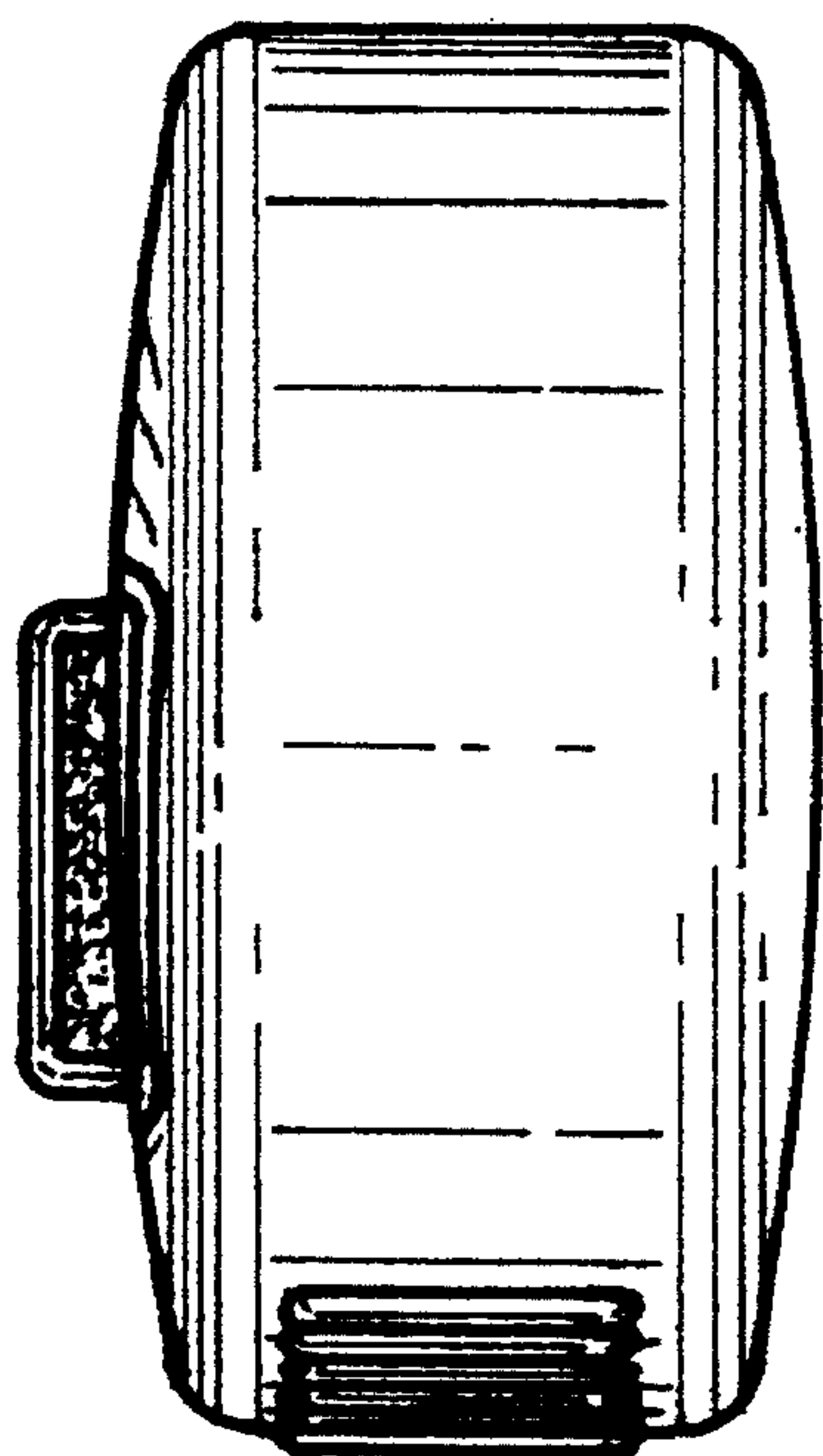


FIG. 6

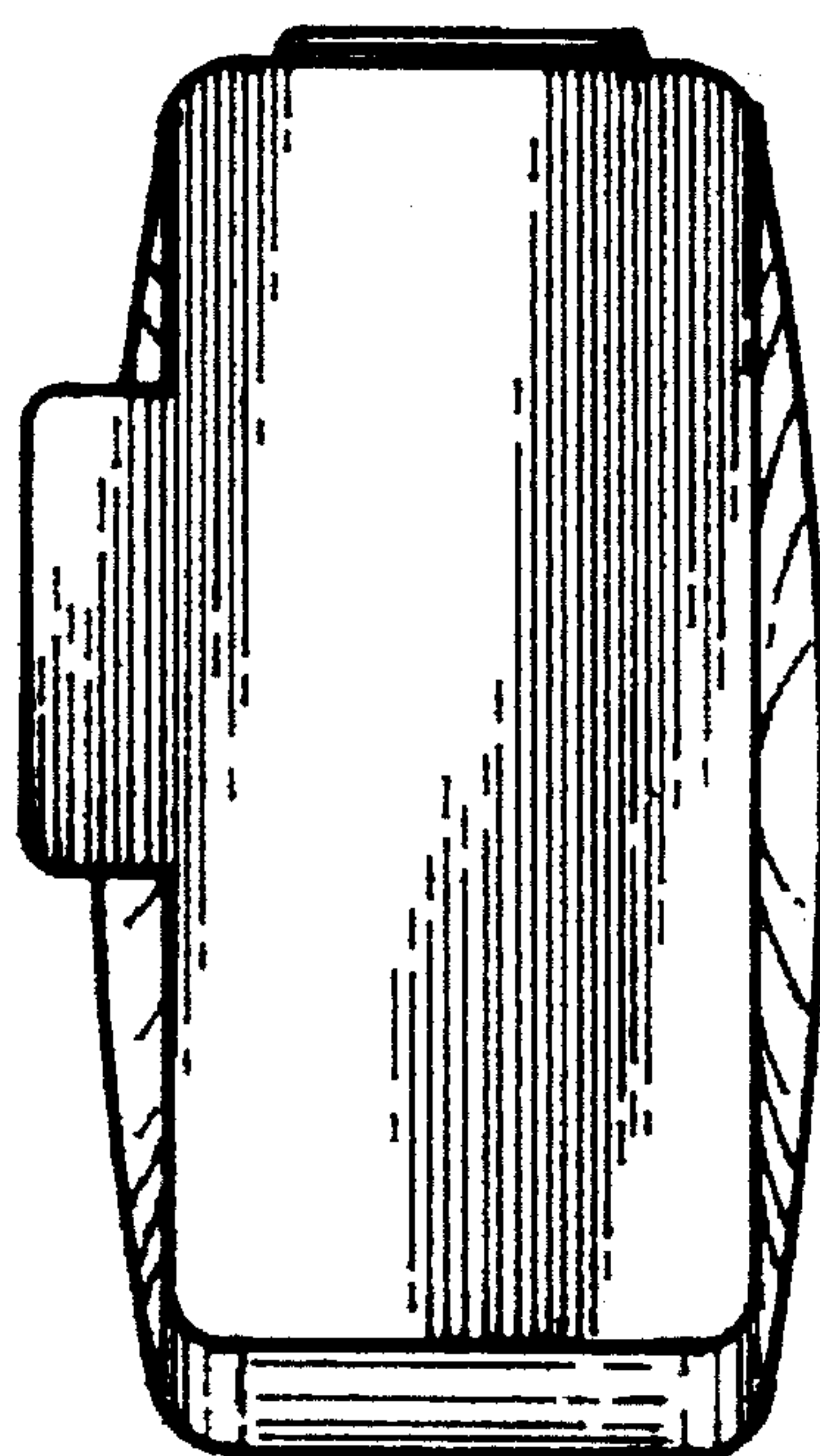


FIG. 7