



US00D367685S

United States Patent [19]

[11] Patent Number: **Des. 367,685**

Luk

[45] Date of Patent: ****Mar. 5, 1996**

[54] **TOY WATER GUN**

[76] Inventor: **Ka-Shiu Luk**, Flat 401 4/F Fo Tan
Industrial Centre 26 Au Pui Wan Street,
Fo Tan, Hong Kong

[**] Term: **14 Years**

[21] Appl. No.: **16,811**

[22] Filed: **Dec. 27, 1993**

[52] U.S. Cl. **D21/146**

[58] Field of Search D21/3, 13, 127,
D21/145-147; D22/100, 103, 113; D23/223;
D14/116; 446/28, 175, 267, 473; 222/78,
79; 239/211, 329, 332, 337, 373; 124/21,
27, 56, 65-67

[56] **References Cited**

U.S. PATENT DOCUMENTS

D. 145,652 10/1946 Berger D21/146
D. 188,193 6/1960 Stoner D22/103

D. 204,284 4/1966 Ryan D21/146
D. 204,402 4/1966 Gilbert D21/146
2,353,283 7/1944 Woodhull D22/103
4,651,455 3/1987 Geiser, Jr. D22/103
4,757,946 7/1988 Johnson 446/473

Primary Examiner—Prabhakar G. Deshmukh
Assistant Examiner—R. Barkai
Attorney, Agent, or Firm—Samuels, Gauthier & Stevens

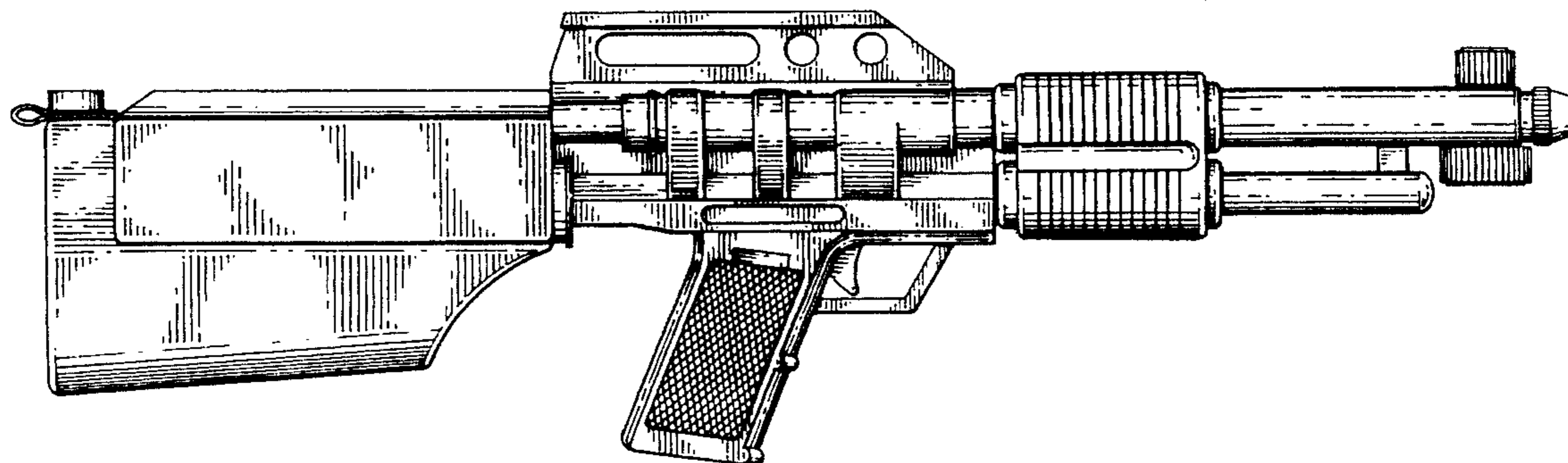
[57] **CLAIM**

The ornamental design for a toy water gun, as shown and described.

DESCRIPTION

FIG. 1 is the front elevational view showing my new design;
FIG. 2 is the rear elevational view thereof;
FIG. 3 is the left side view thereof;
FIG. 4 is the right side view thereof;
FIG. 5 is the top plan view thereof; and,
FIG. 6 is the bottom view thereof.

1 Claim, 3 Drawing Sheets



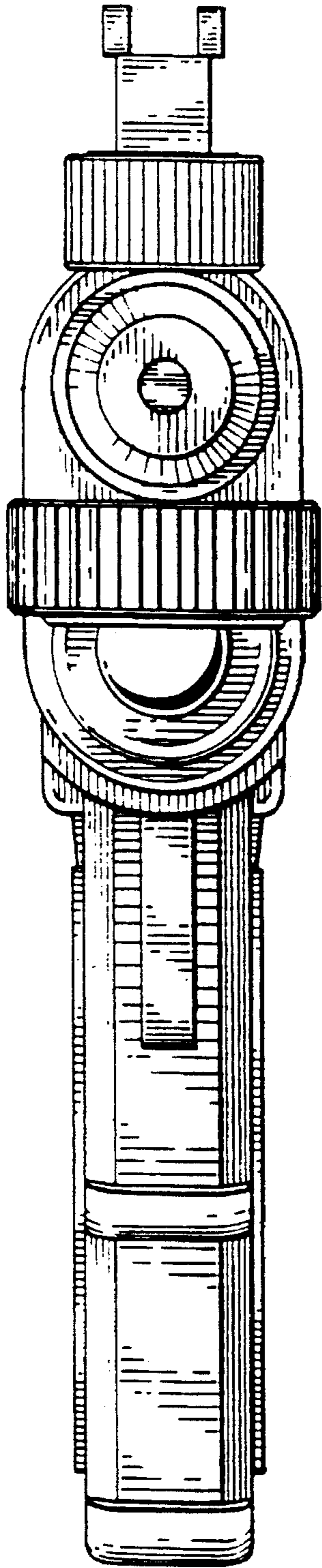


FIG. 1

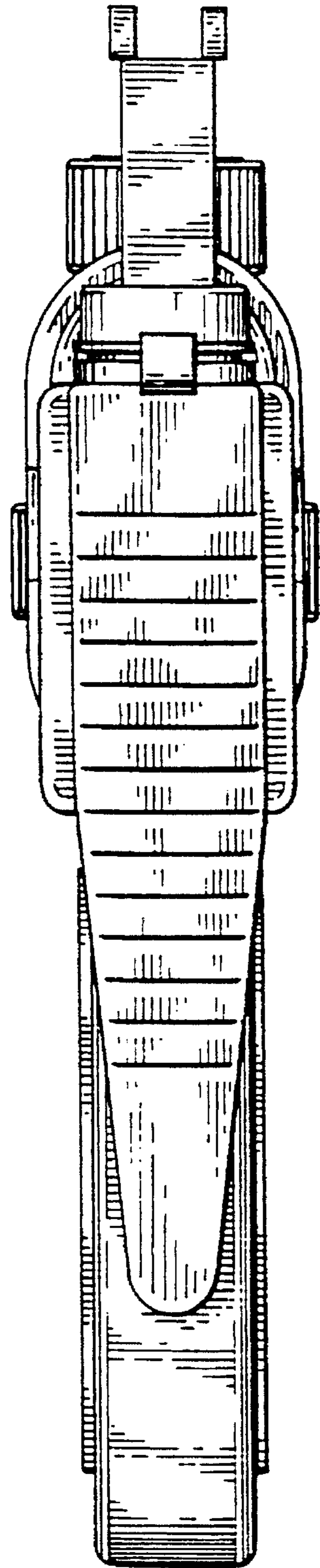
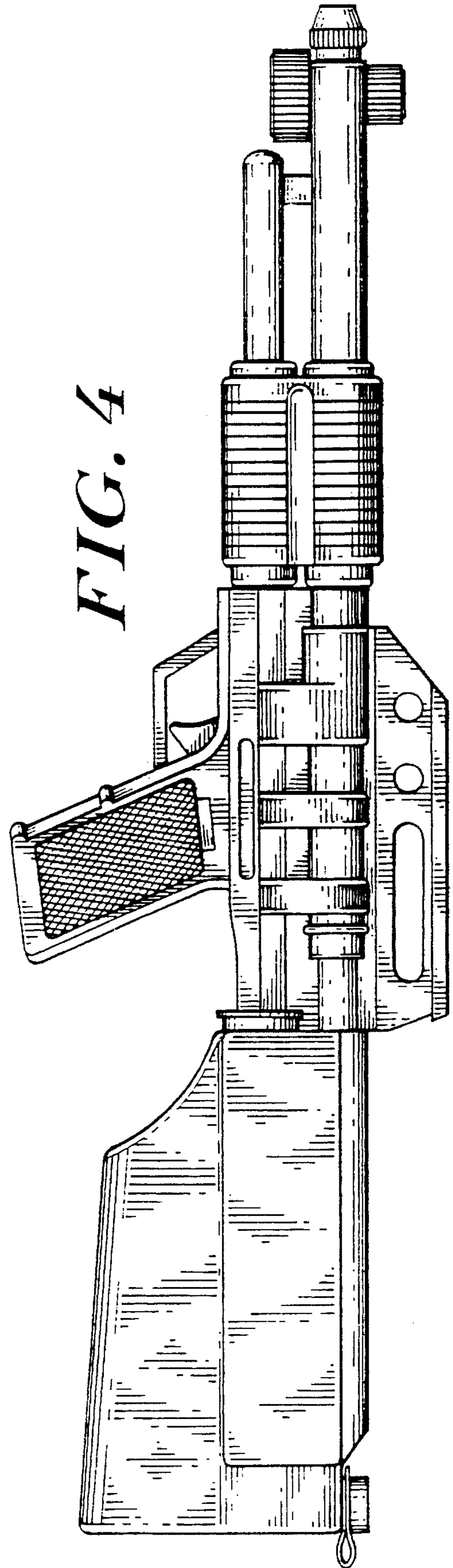
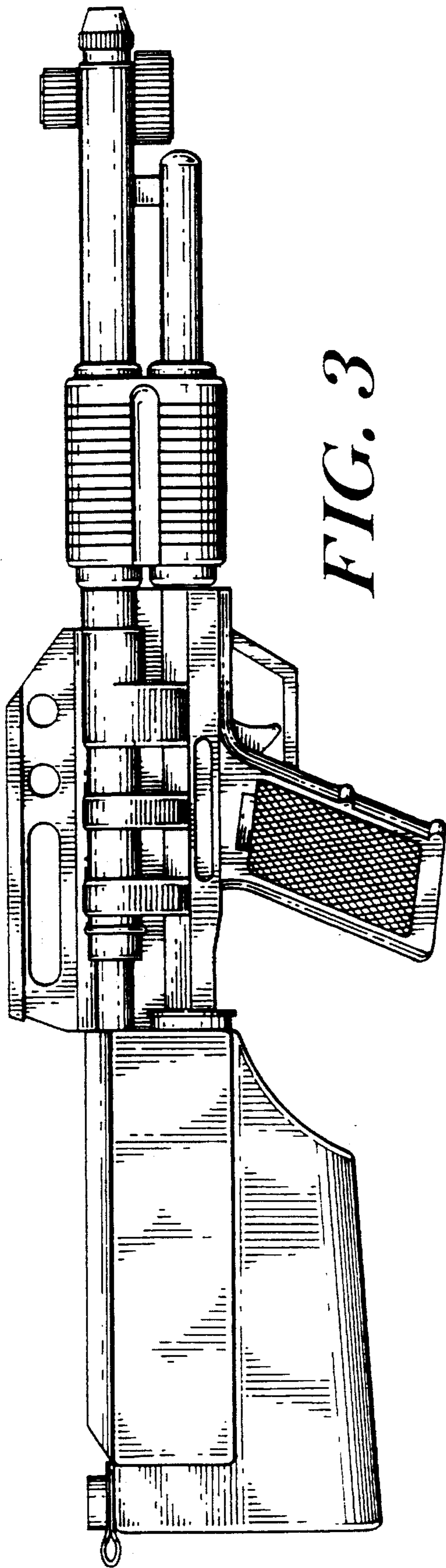


FIG. 2



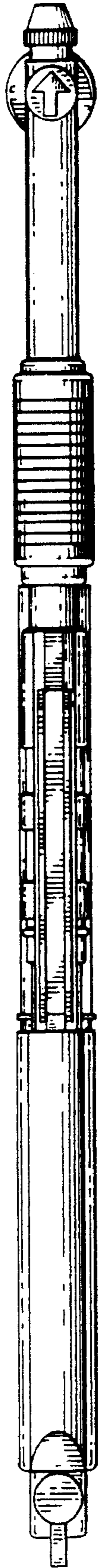


FIG. 5

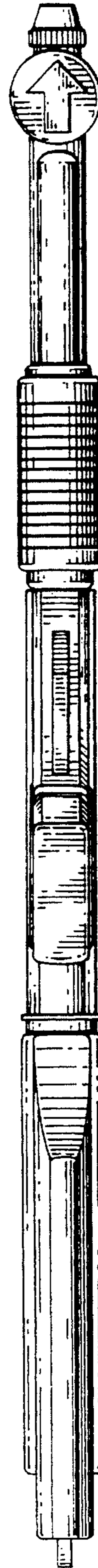


FIG. 6