



US00D367681S

United States Patent [19]

[11] Patent Number: **Des. 367,681**

Lagadyn

[45] Date of Patent: ****Mar. 5, 1996**

[54] **KITE**

D. 196,738 10/1963 Palmer D21/88 X

D. 232,572 8/1974 Torksak D21/88 X

D. 291,459 8/1987 Ruggles D21/88

[76] Inventor: **William G. Lagadyn**, P.O. Box 4385,
LCD#1, London, Ontario, Canada, N5W
5J2

Primary Examiner—Dominic Simone
Attorney, Agent, or Firm—Rockey, Rifkin & Ryther

[**] Term: **14 Years**

[57] **CLAIM**

[21] Appl. No.: **34,969**

The ornamental design for a kite, as shown and described.

[22] Filed: **Feb. 16, 1995**

DESCRIPTION

[52] U.S. Cl. **D21/88**

FIG. 1 is a perspective view showing my new design;

[58] Field of Search D21/88; 244/153 R,
244/154

FIG. 2 is an end view thereof;

FIG. 3 is a front view thereof;

FIG. 4 is a rear view thereof;

FIG. 5 is a top view thereof; and,

FIG. 6 is a bottom view thereof.

[56] **References Cited**

U.S. PATENT DOCUMENTS

D. 160,910 11/1950 Welford D21/88 X

1 Claim, 2 Drawing Sheets

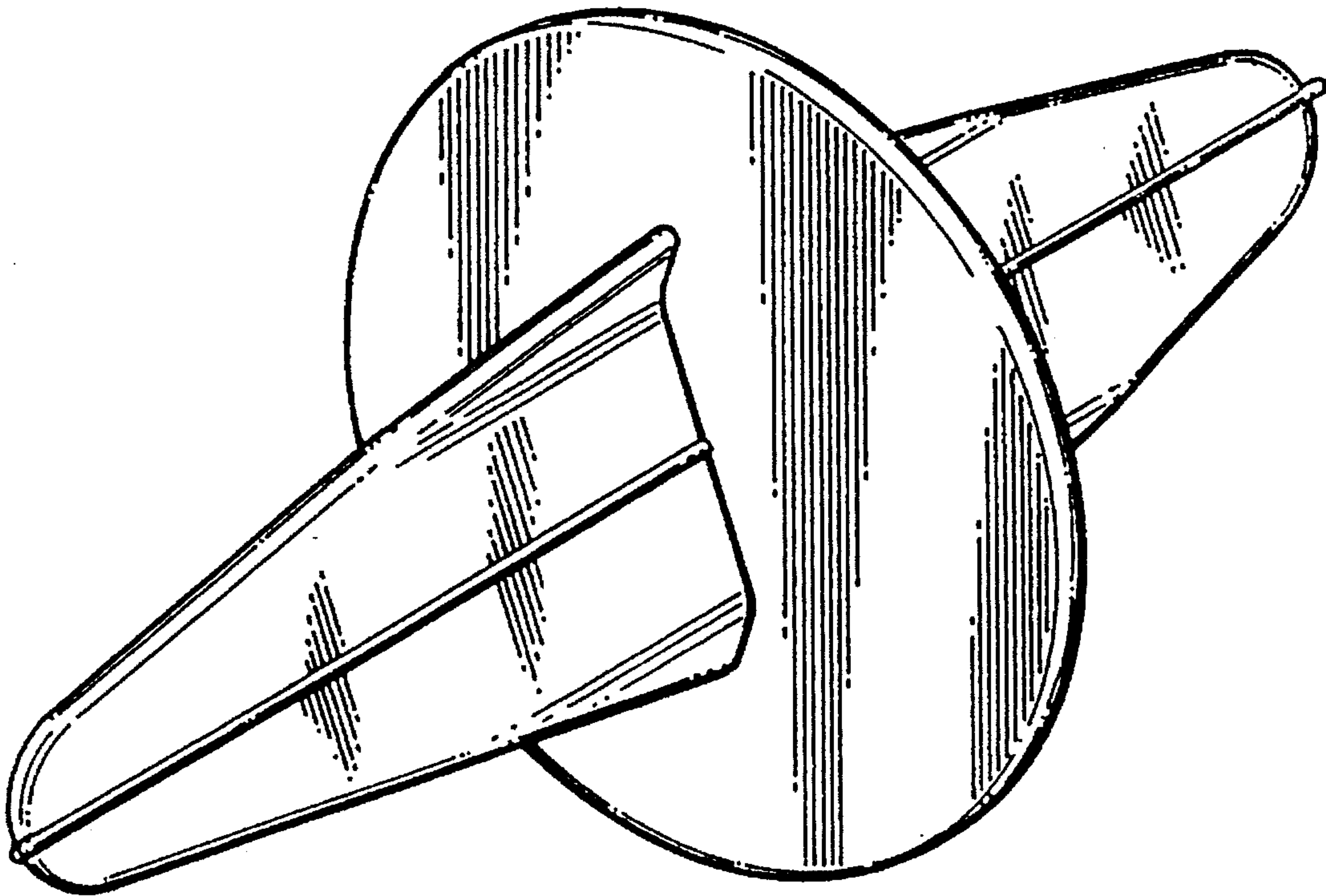


FIG. 1.

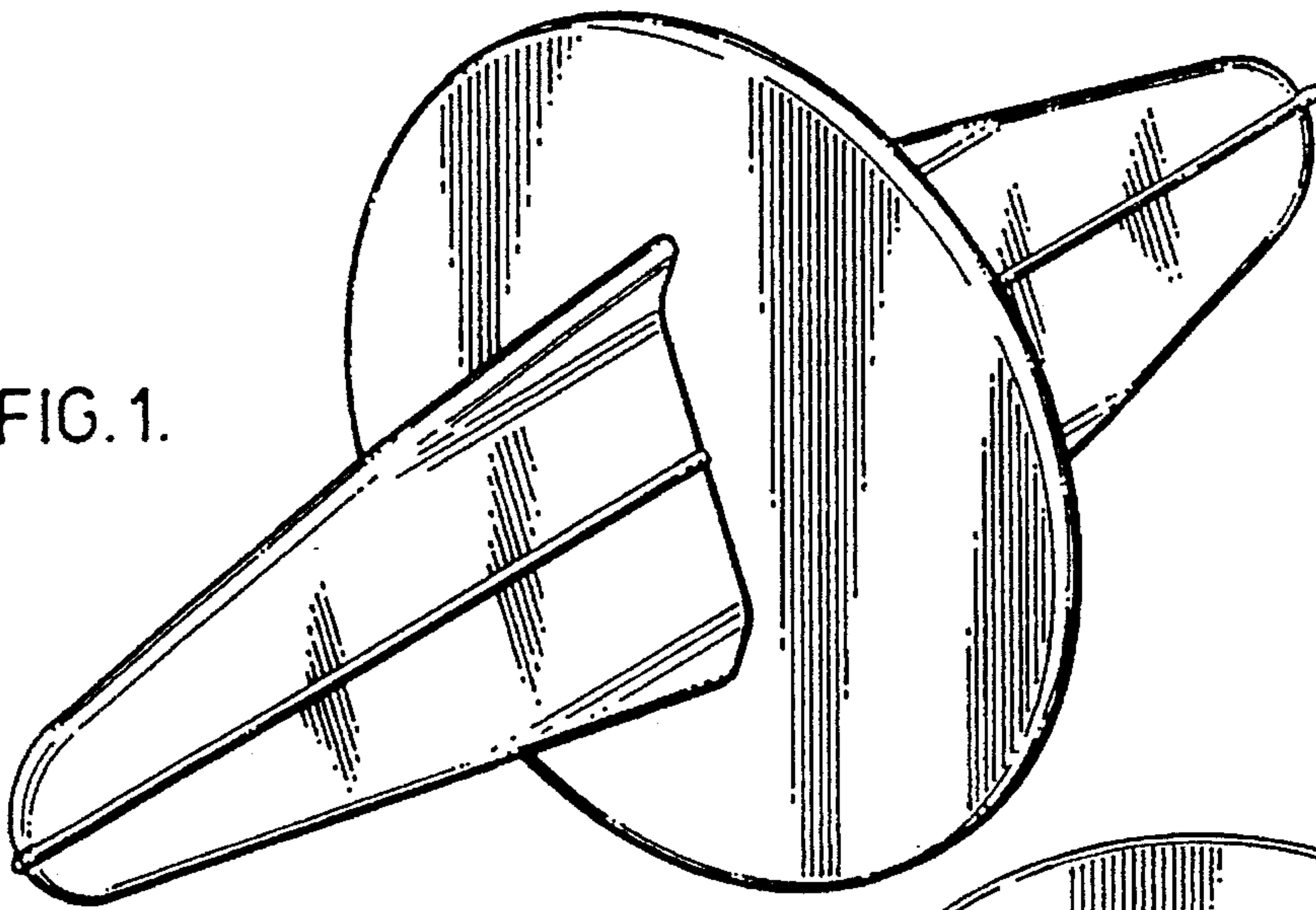


FIG. 2.

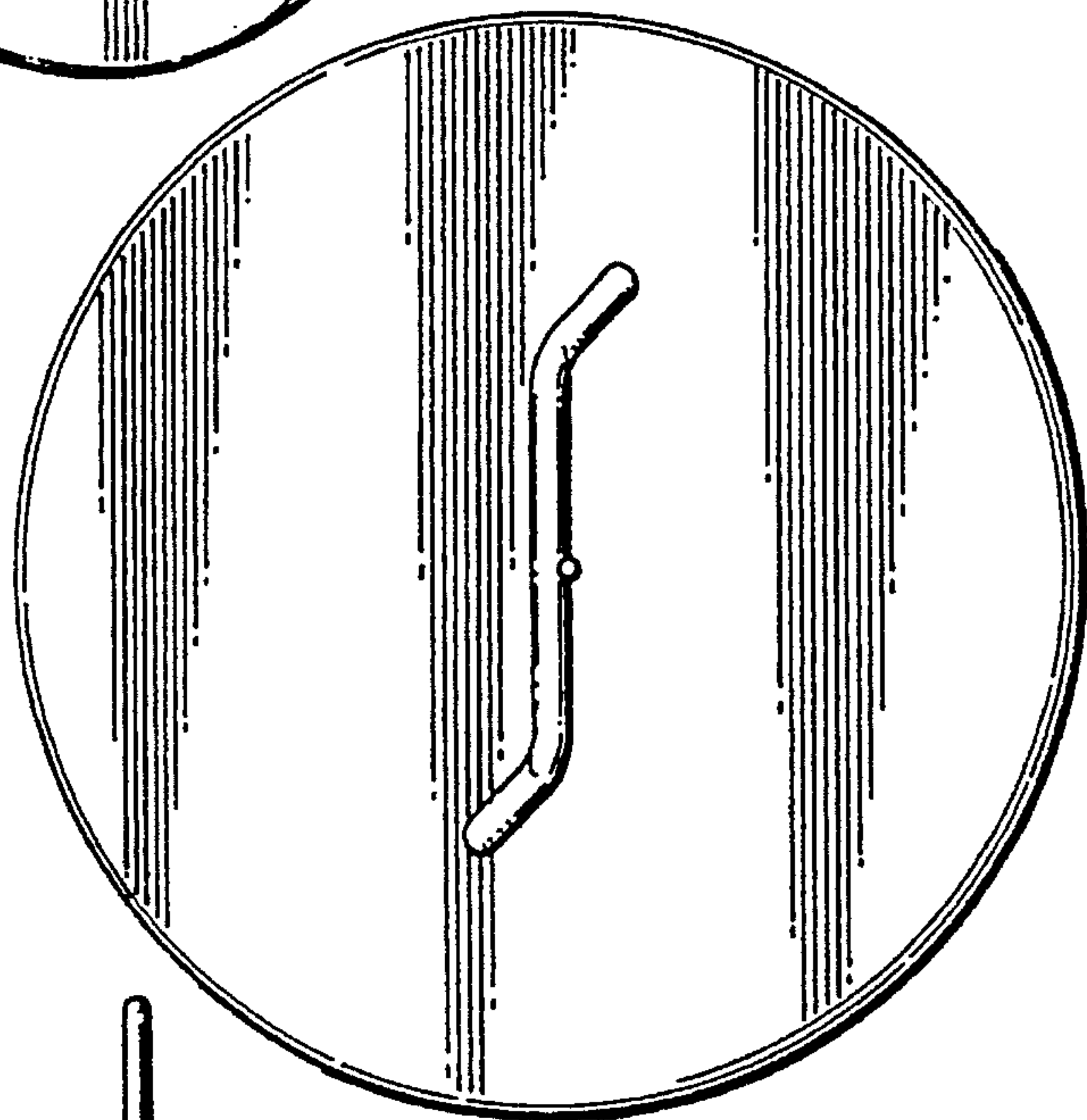


FIG. 3.

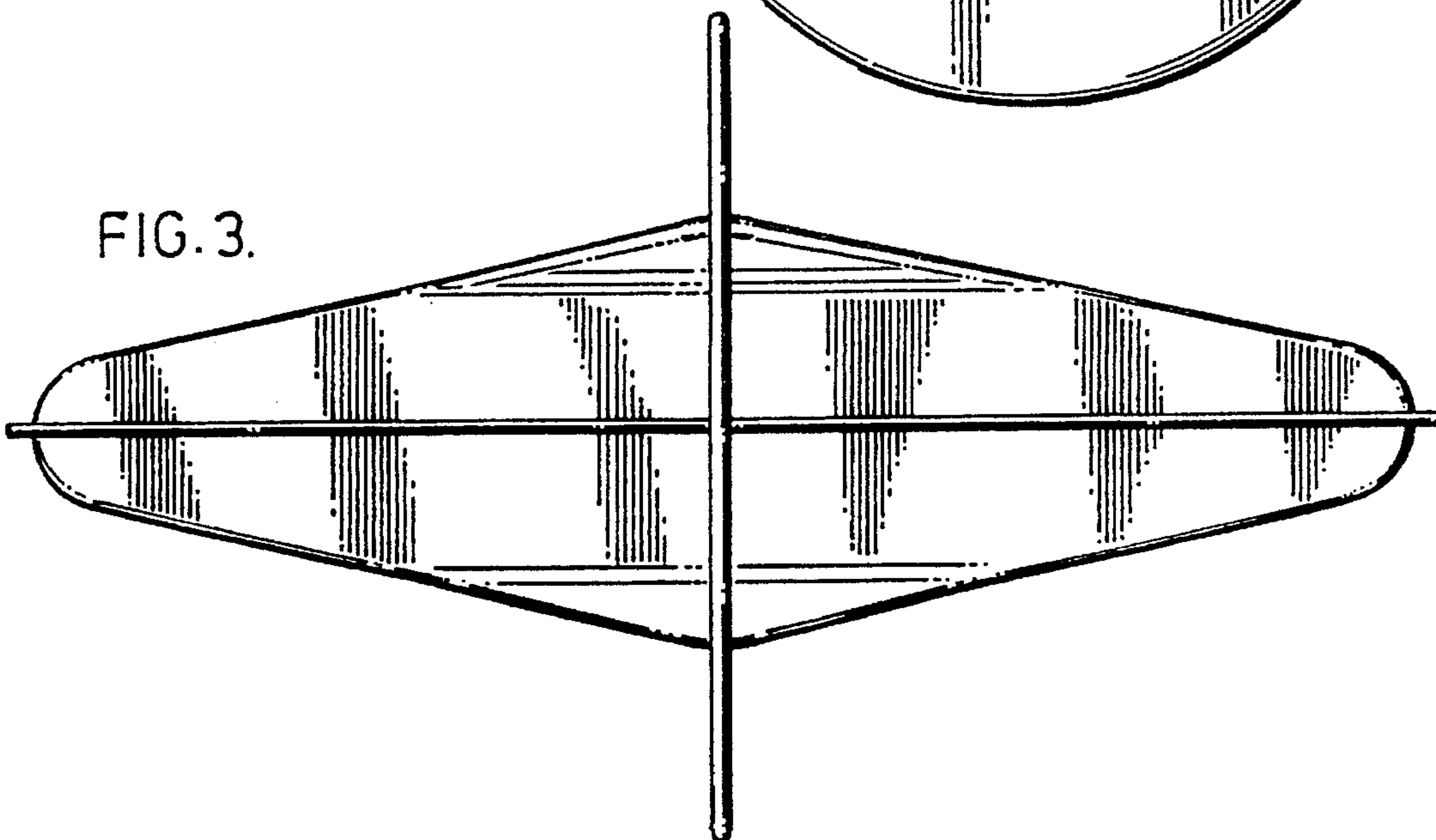


FIG. 4.

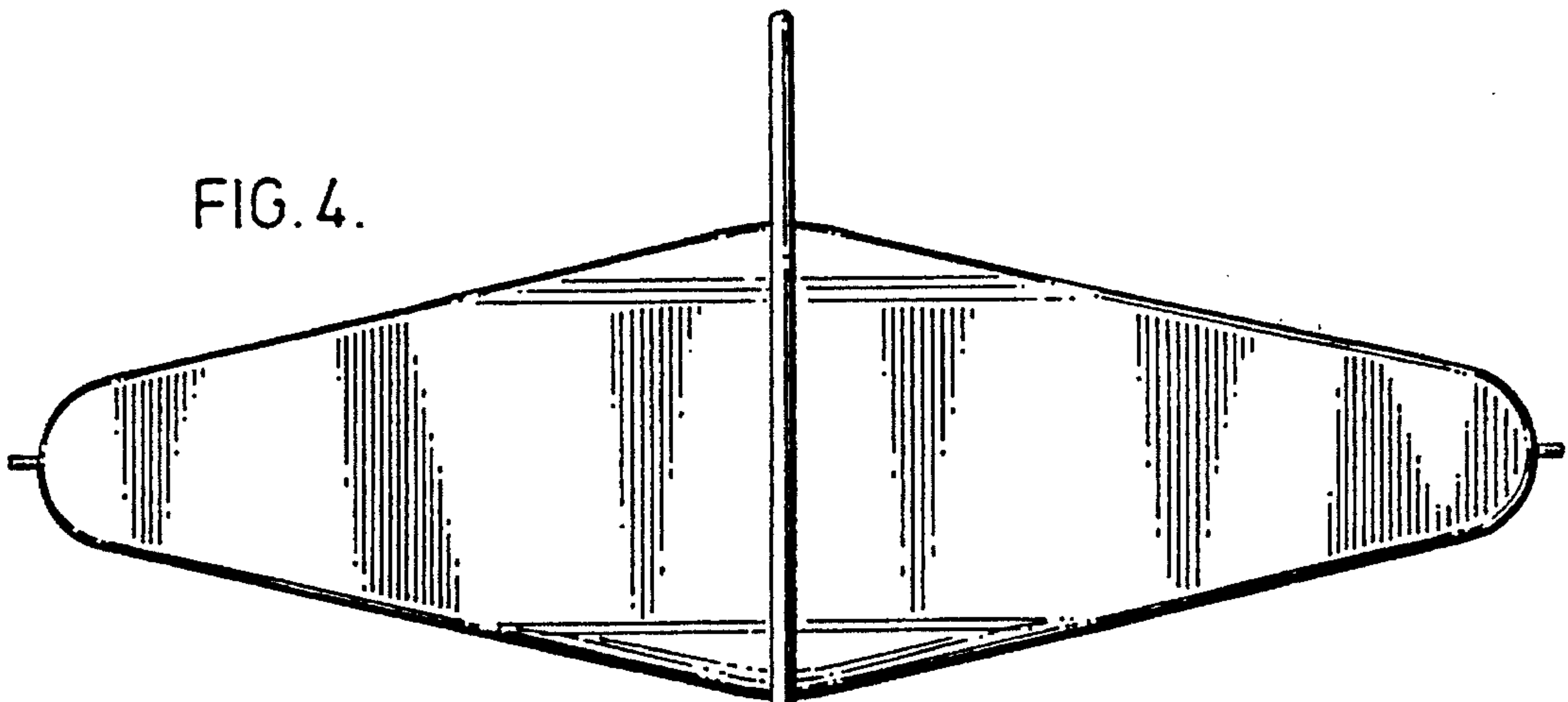


FIG. 5.

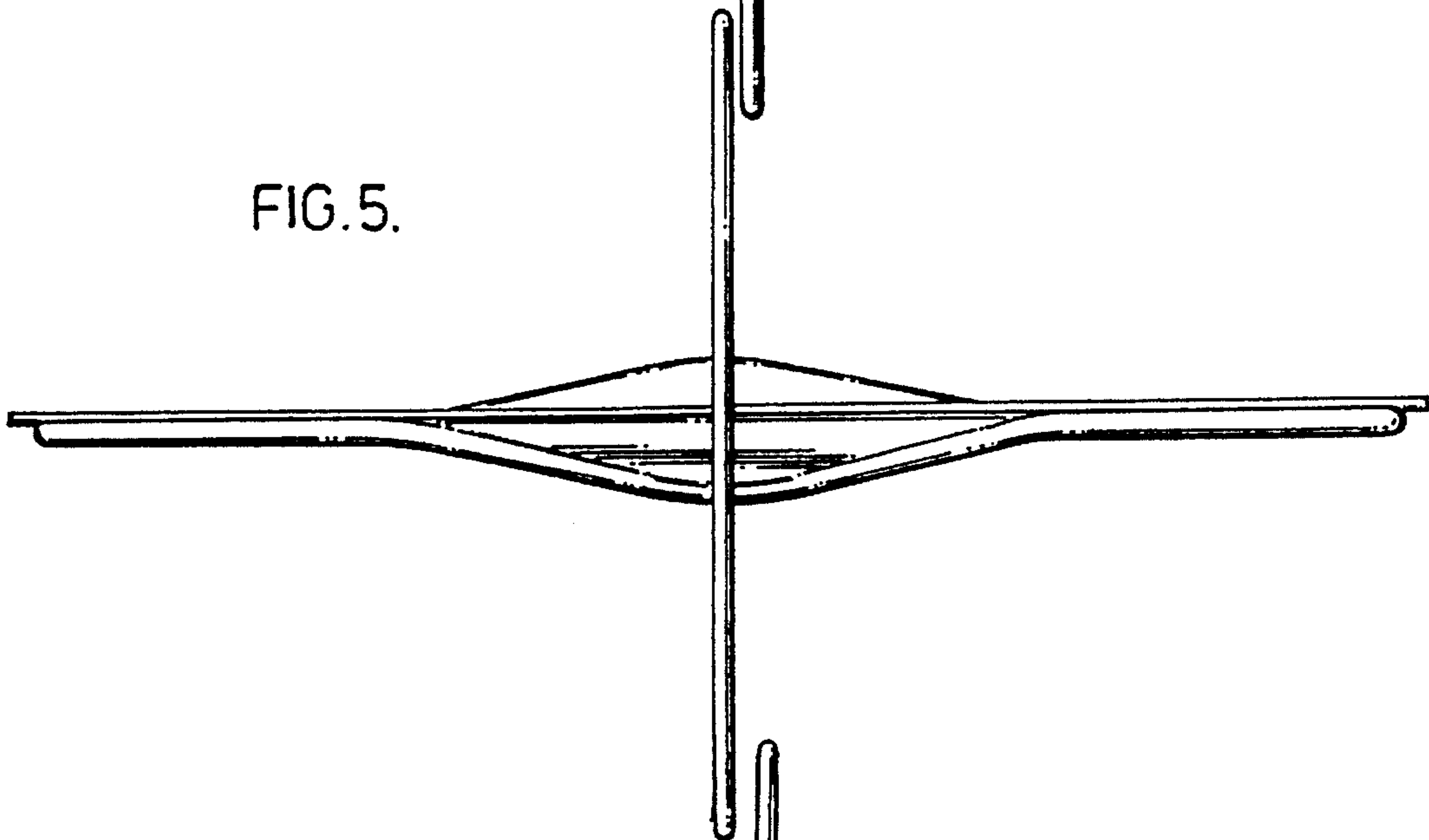


FIG. 6.

