



US00D367679S

United States Patent [19]

Vitali et al.

[11] Patent Number: **Des. 367,679**

[45] Date of Patent: ****Mar. 5, 1996**

[54] **COMBINED CONTROL PANEL AND VEHICLE SIGNALLING DISPLAY BOARD**

[76] Inventors: **Arturo E. Vitali; Mario De Leon**, both of Campeche Y Tamaulipas, 1204 Col Lospinos, Monclova Coahuila, Mexico, 25720

[**] Term: **14 Years**

[21] Appl. No.: **9,806**

[22] Filed: **Jun. 24, 1993**

[52] U.S. Cl. **D20/42; D26/31**

[58] Field of Search **D20/10, 40, 42; D26/30, 31, 32; D10/109, 114, 115; 40/1, 124, 124.1, 540, 541, 542, 584, 591, 592, 593, 624; 340/472**

[56] **References Cited**

U.S. PATENT DOCUMENTS

D. 331,980	12/1992	Henderson	D20/10
D. 337,837	7/1993	DeZosa, Jr. et al.	D20/42
3,104,484	9/1963	Wood	40/452
3,368,290	2/1968	Zoeb	40/452

3,800,430	4/1974	Samra	340/472
4,574,269	3/1986	Miller	40/541
4,622,494	11/1986	Johnson	340/472
4,631,516	12/1986	Clinker	340/472

Primary Examiner—A. Hugo Word
Assistant Examiner—Marcus Jackson
Attorney, Agent, or Firm—Terry M. Gernstein

[57] **CLAIM**

The ornamental design for a combined control panel and vehicle signalling display board, as shown and described.

DESCRIPTION

FIG. 1 is a front, top and side perspective view of the combined control panel and vehicle signalling display board showing our new design;
FIG. 2 is a front elevational view thereof;
FIG. 3 is a rear elevational view thereof;
FIG. 4 is a side elevational view thereof;
FIG. 5 is a side elevational view thereof;
FIG. 6 is a top plan view thereof; and,
FIG. 7 is a bottom plan view thereof.

1 Claim, 5 Drawing Sheets

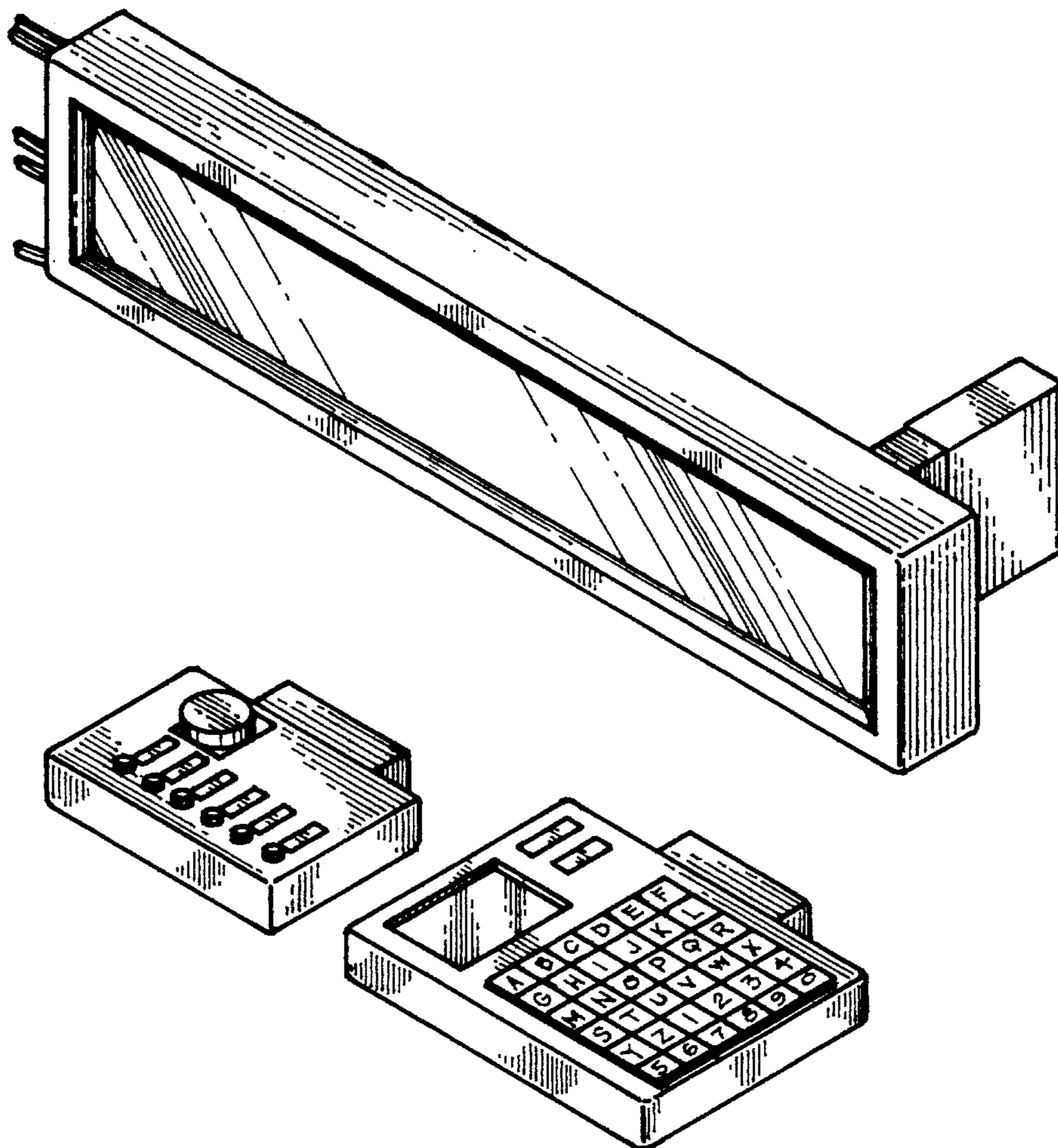


FIG. 1

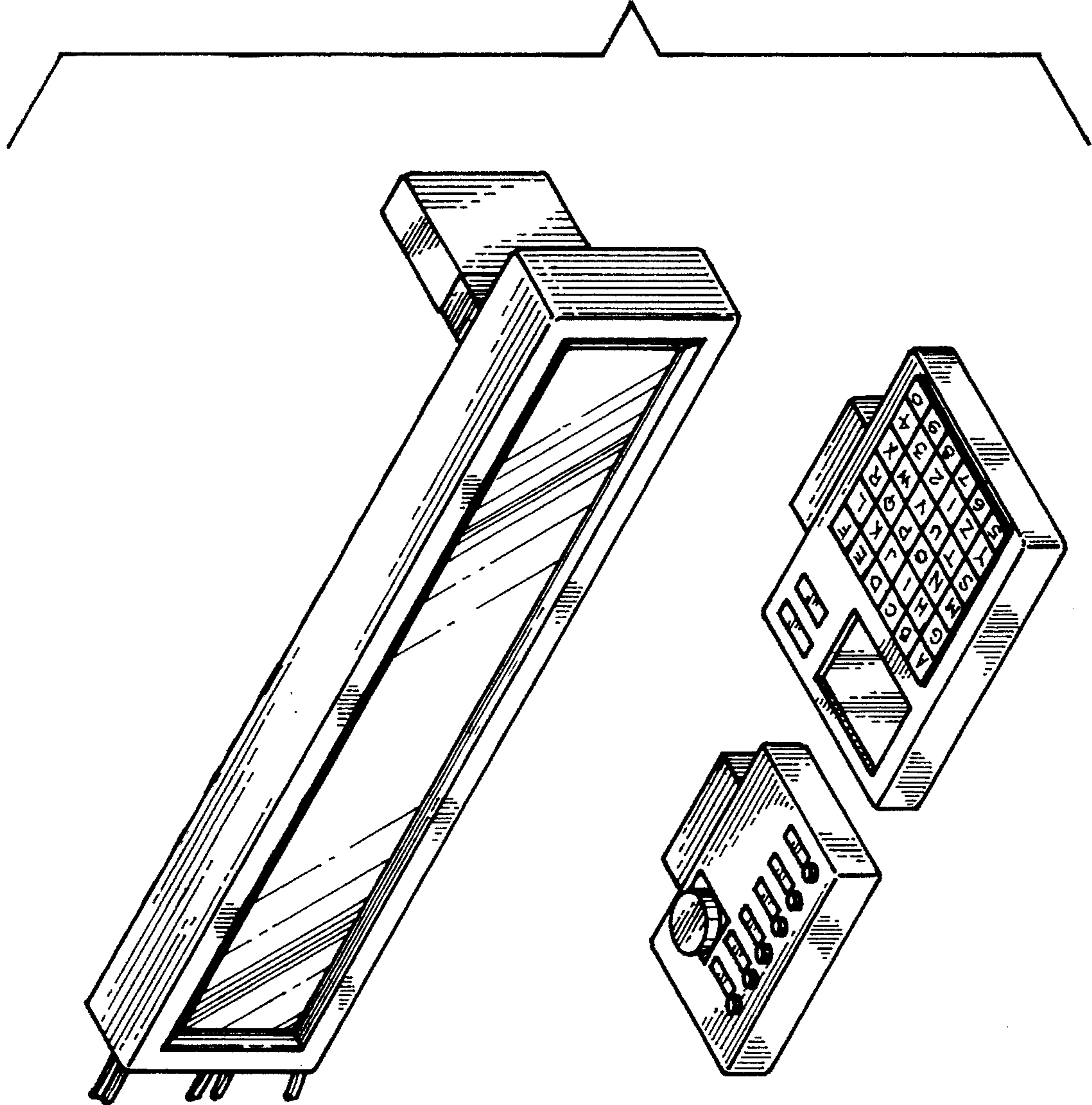


FIG. 2

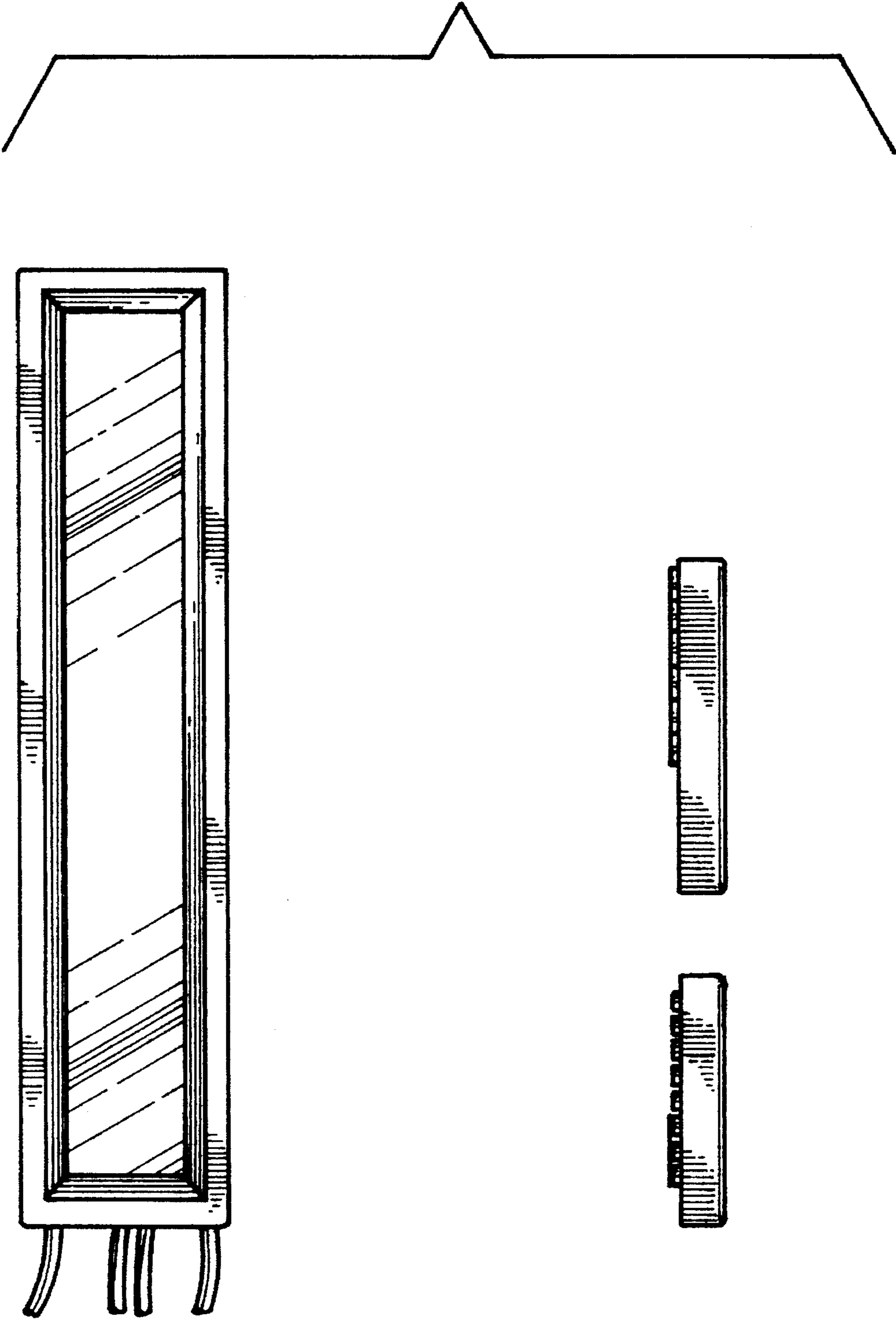
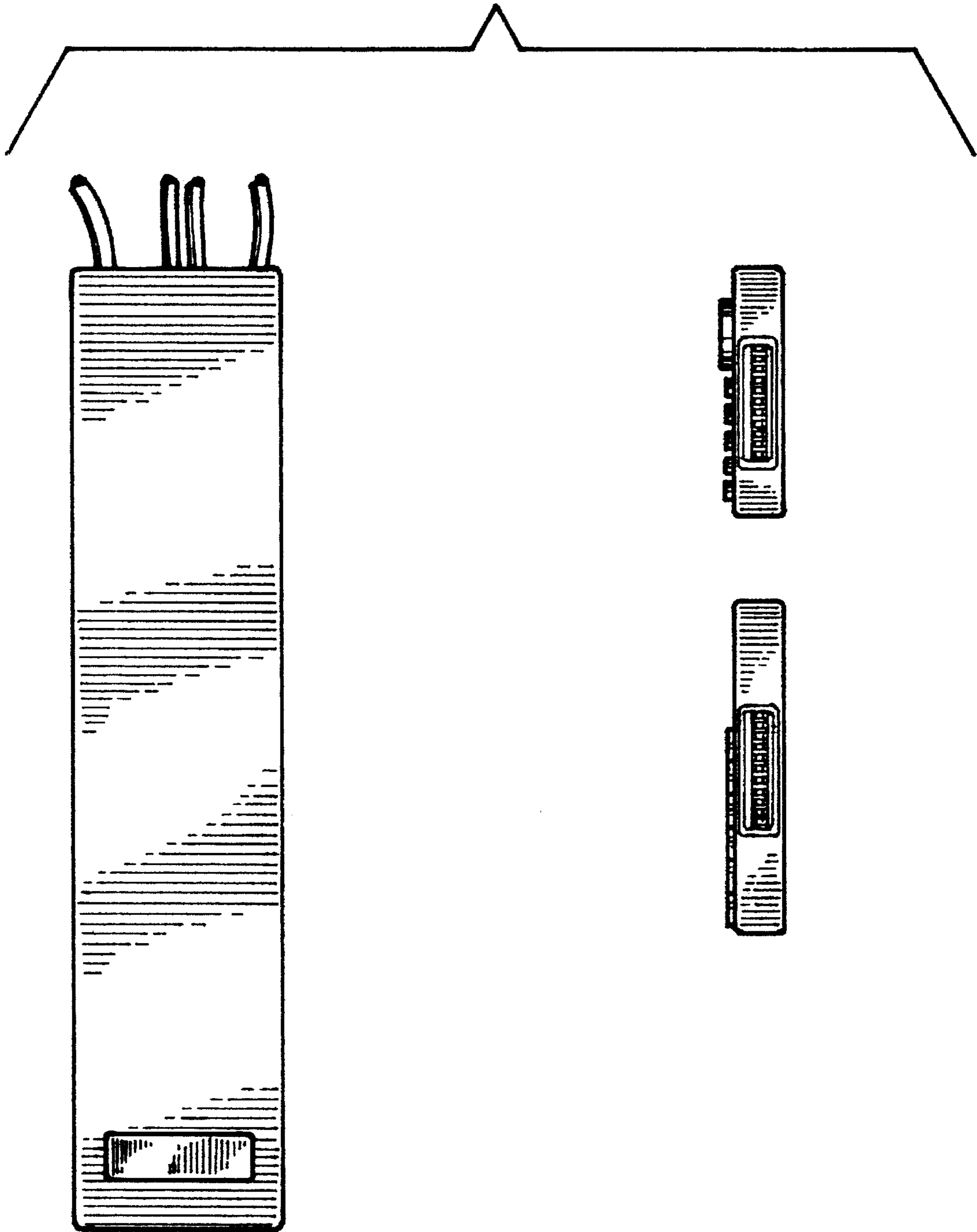


FIG. 3



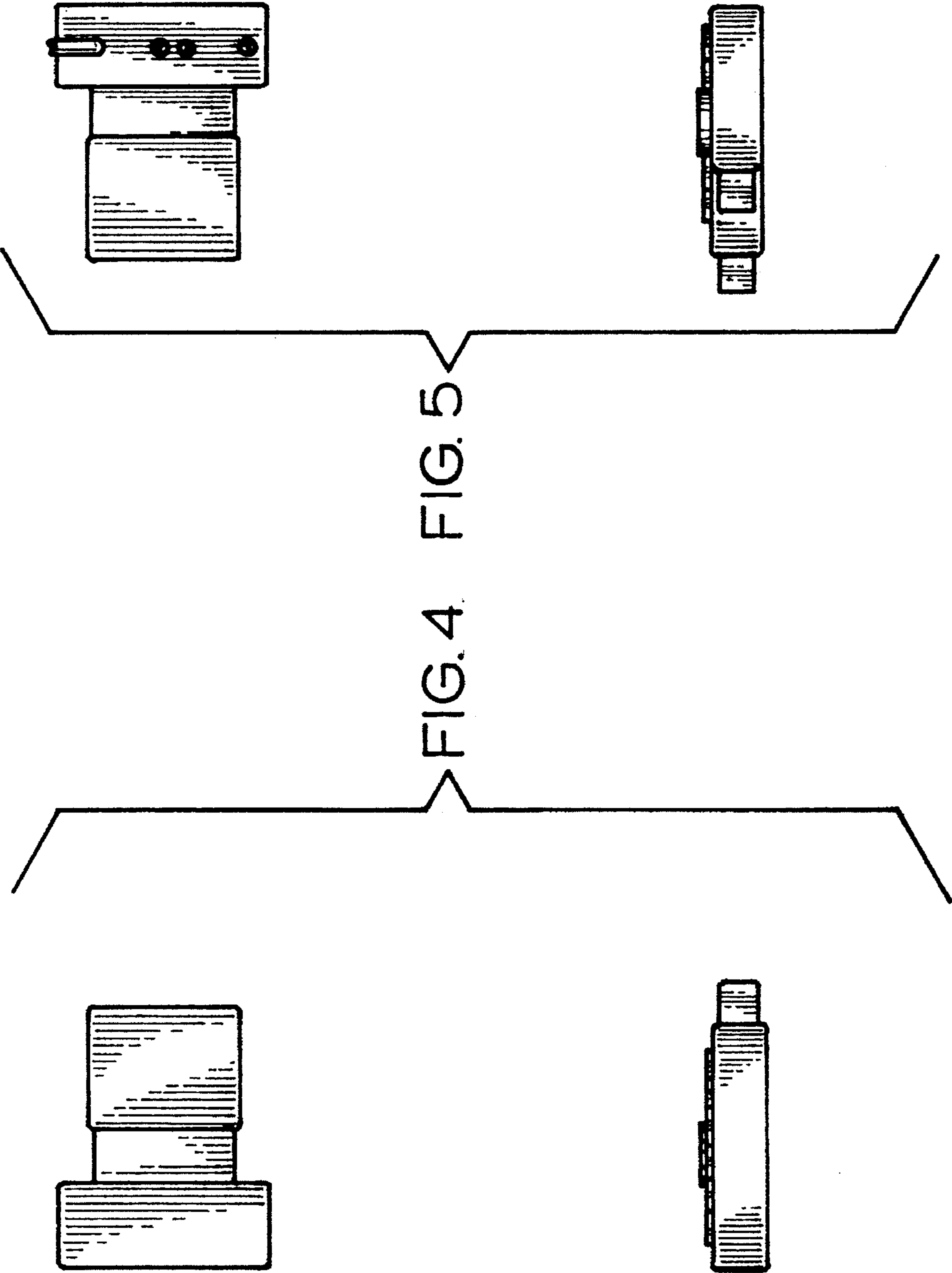


FIG. 6

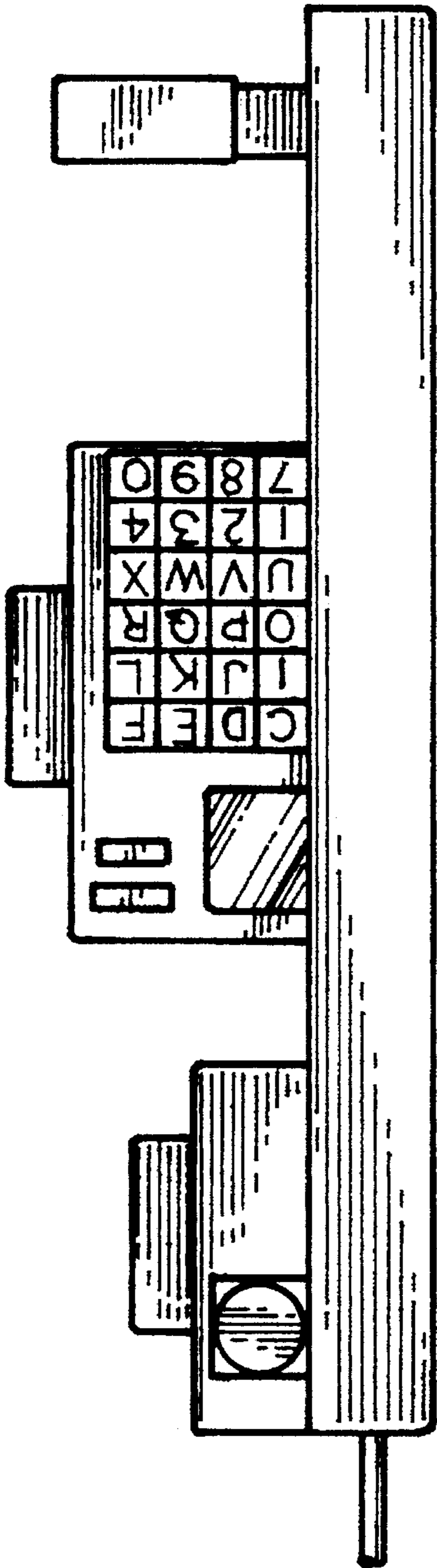


FIG. 7

