



US00D367676S

**United States Patent** [19]  
**Ortiz**

[11] **Patent Number: Des. 367,676**

[45] **Date of Patent: \*\*Mar. 5, 1996**

[54] **ILLUMINATED DISPLAY SIGN FOR VEHICLES**

4,962,602 10/1990 Meyrowitsch ..... 40/591  
4,974,354 12/1990 Hembrook, Jr. .... 40/591

[76] Inventor: **Jeffrey Ortiz**, 1704 Poplar St., Erie, Pa. 16502

**FOREIGN PATENT DOCUMENTS**

[\*\*] Term: **14 Years**

1071787 9/1954 France ..... 40/591  
2124008 2/1984 United Kingdom ..... 40/591

[21] Appl. No.: **33,122**

*Primary Examiner*—A. Hugo Word  
*Assistant Examiner*—Marcus Jackson  
*Attorney, Agent, or Firm*—Terry M. Gernstein

[22] Filed: **Jan. 5, 1995**

[52] **U.S. Cl.** ..... **D20/10; D26/31**

[57] **CLAIM**

[58] **Field of Search** ..... D20/10, 19, 20,  
D20/39, 40, 41, 42; 40/1, 124, 124.1, 124.4,  
152, 152.1, 584, 591, 592, 593, 624; 362/811,  
812

The ornamental design for an illuminated display sign for vehicles, as shown and described.

**DESCRIPTION**

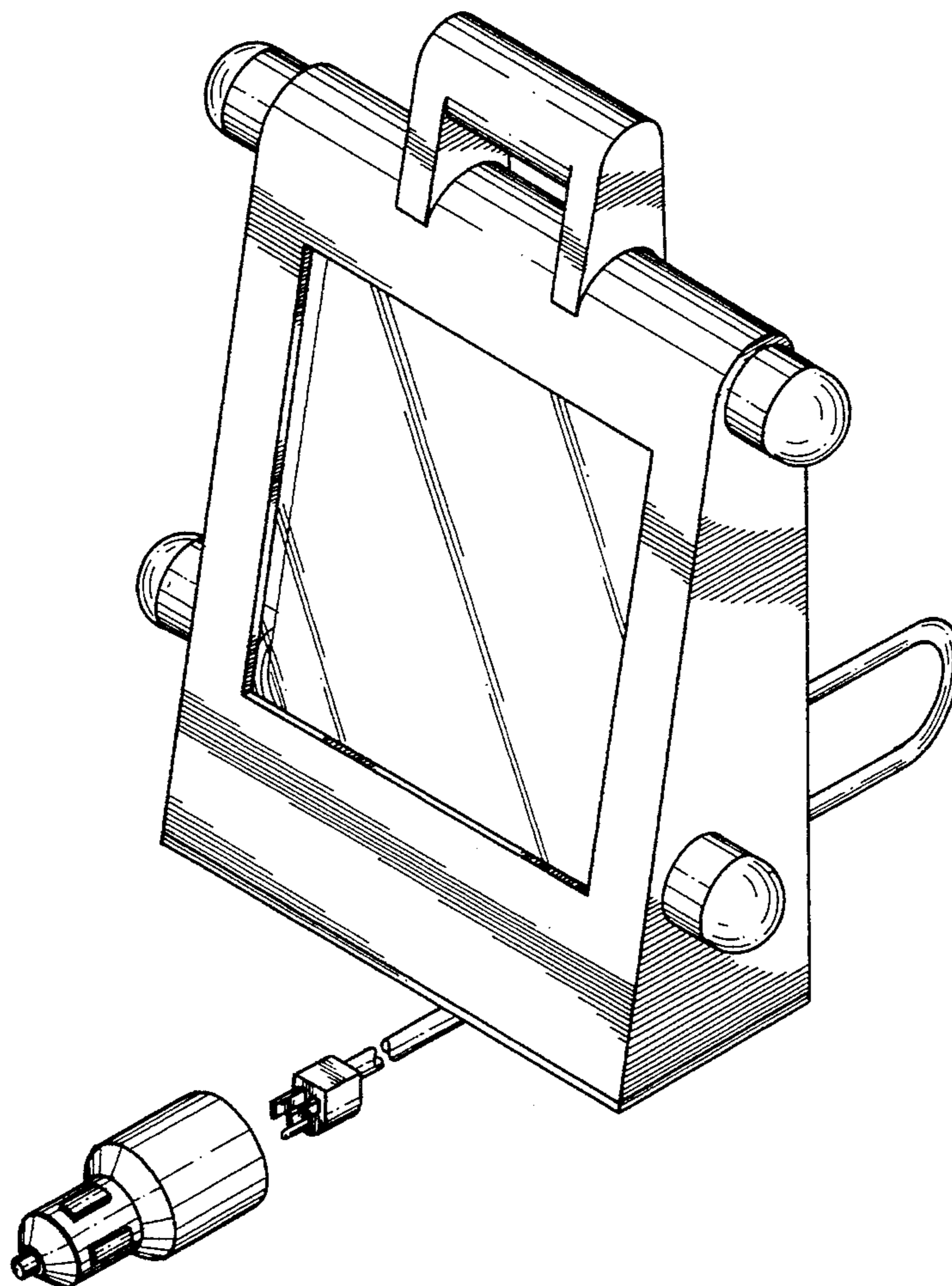
[56] **References Cited**

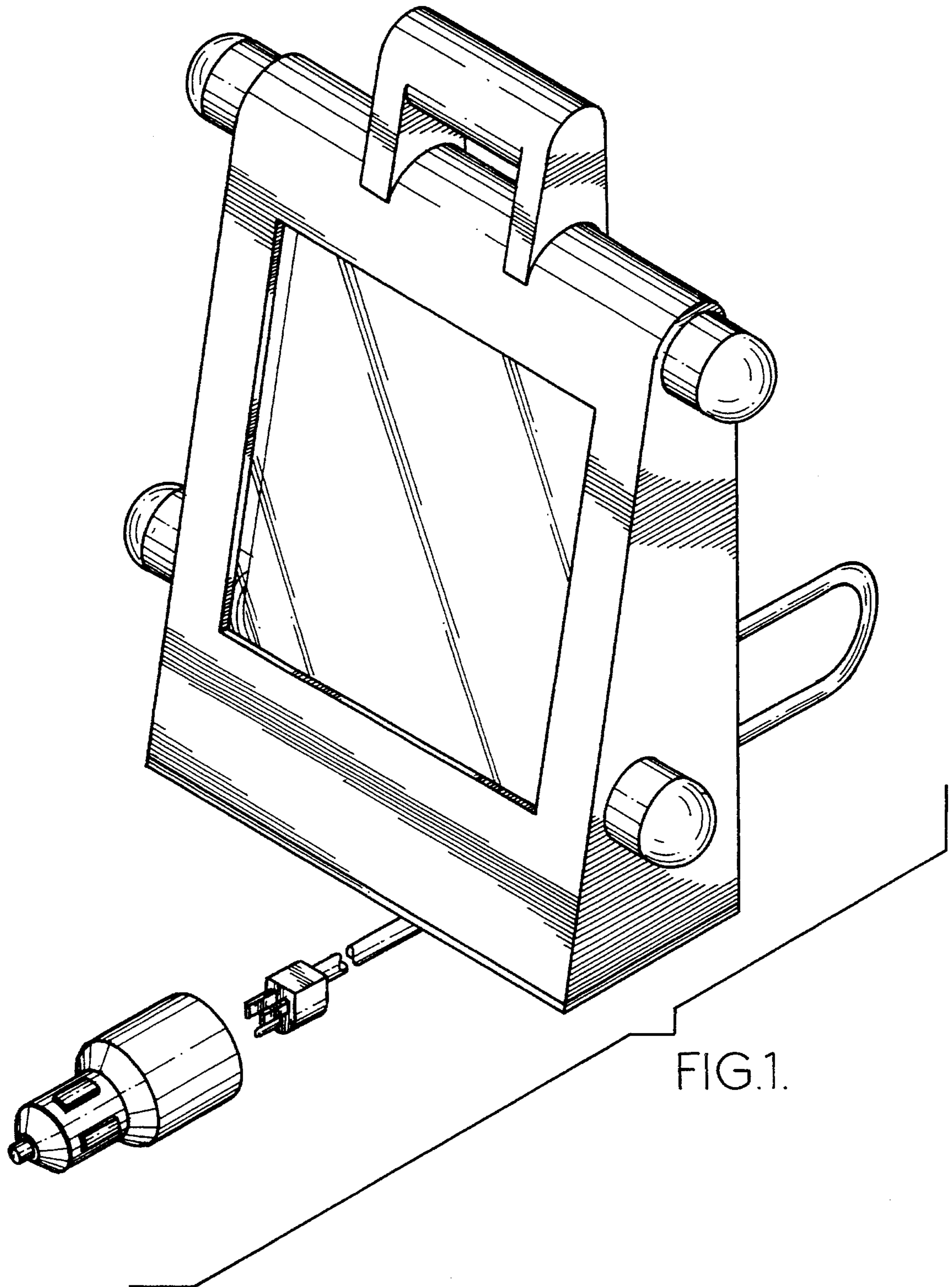
**U.S. PATENT DOCUMENTS**

D. 313,431	1/1991	Jaskiel, Jr. et al. ....	D20/10
D. 314,983	2/1991	Cangianni .....	D20/10
D. 328,142	7/1992	Bell et al. ....	D26/31
D. 335,310	5/1993	Kurnow et al. ....	D20/10
D. 335,507	5/1993	Kleiman .....	D10/109
D. 359,253	6/1995	Zuttrull et al. ....	D10/114
2,836,913	6/1958	Thompson et al. ....	40/591
4,833,443	5/1989	Siew .....	40/591

FIG. 1 is an exploded perspective view of an illuminated display sign for vehicles showing my new design, with the cord broken away on end to indicate indeterminate length; FIG. 2 is a front elevational view thereof; FIG. 3 is a rear elevational view thereof; FIG. 4 is a side elevational view thereof, the side opposite being a mirror image of the side shown in FIG. 4; FIG. 5 is a top plan view thereof; and, FIG. 6 is a bottom plan view thereof.

**1 Claim, 4 Drawing Sheets**





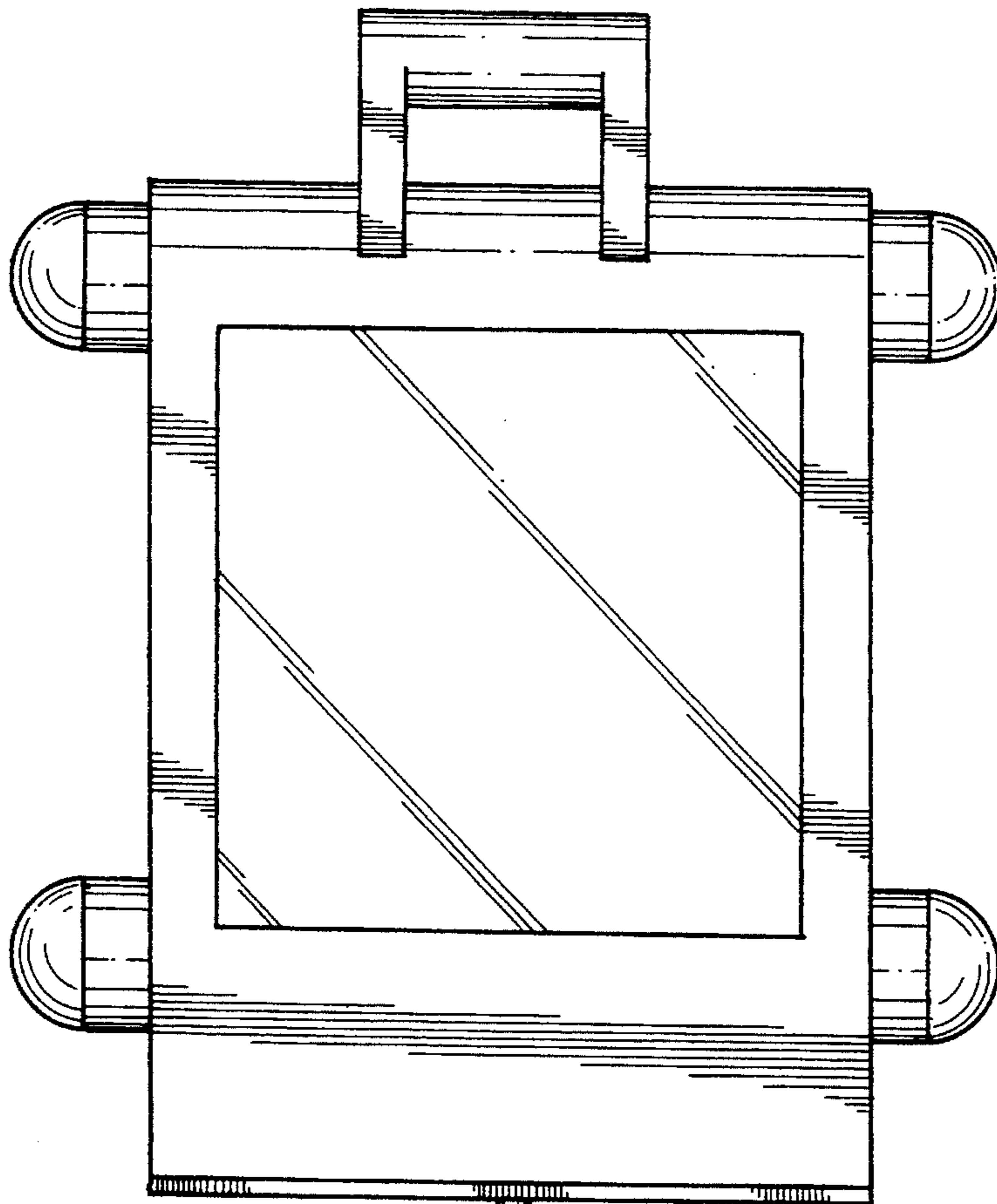


FIG. 2.

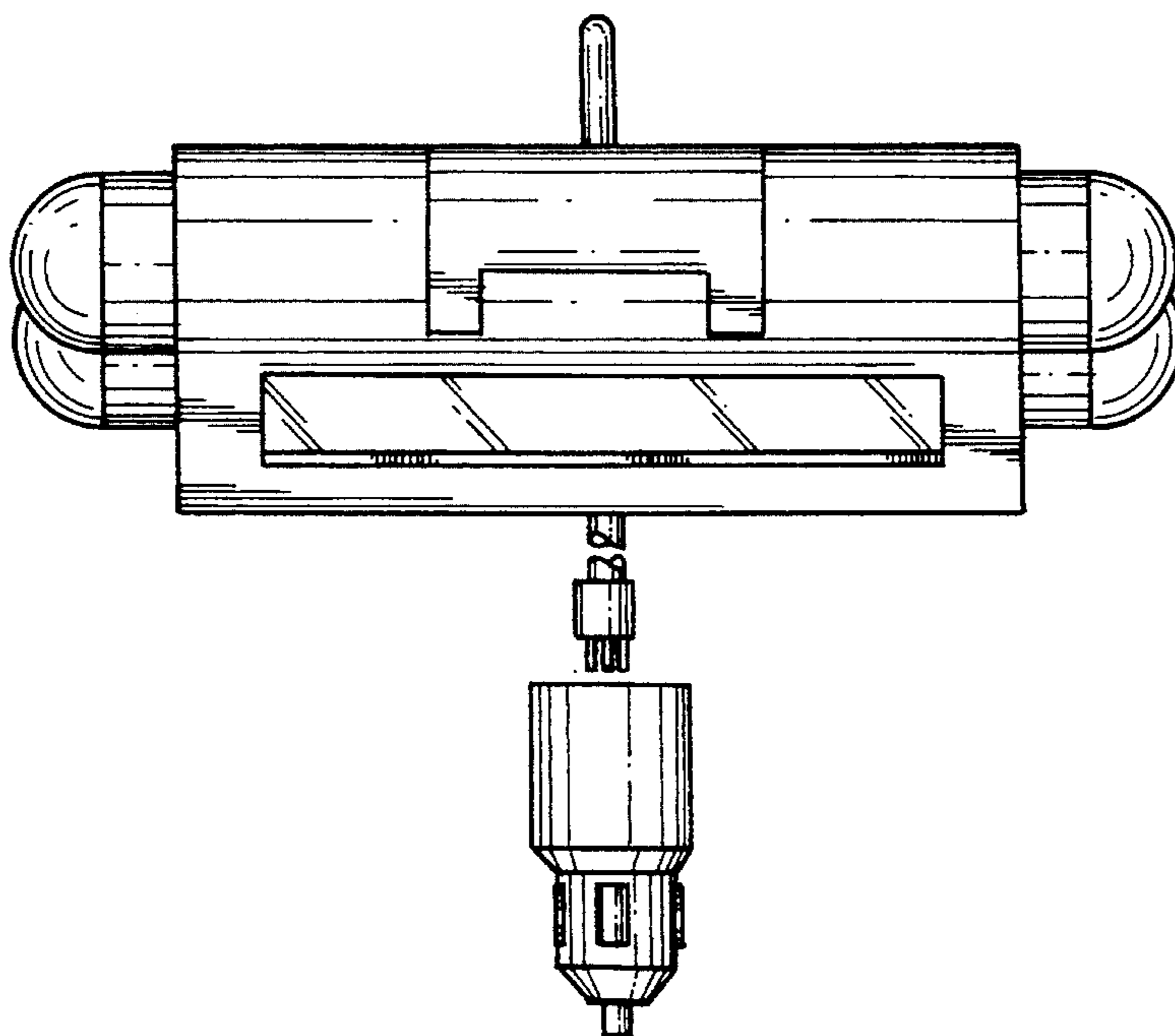


FIG. 5.

FIG. 3.

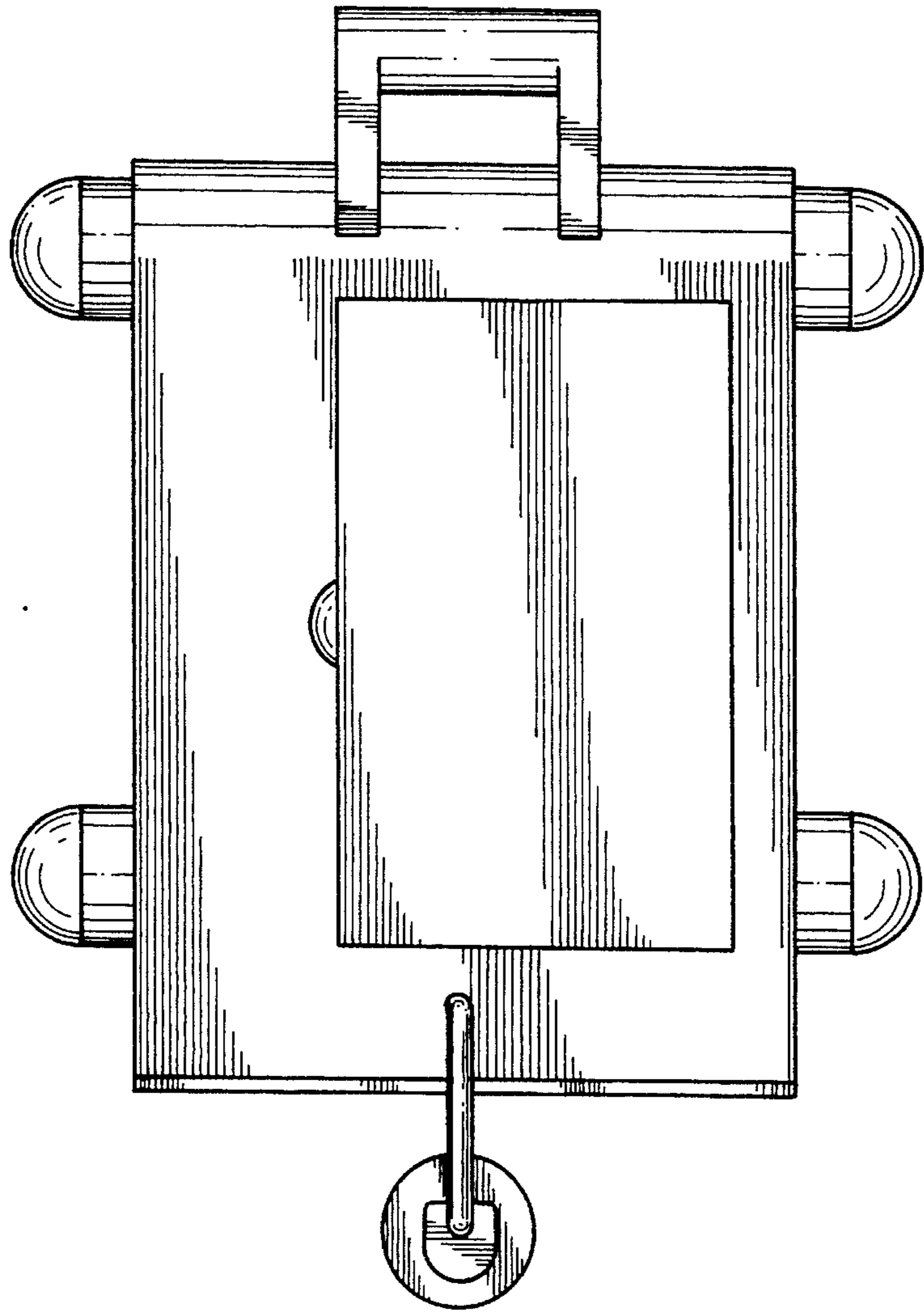
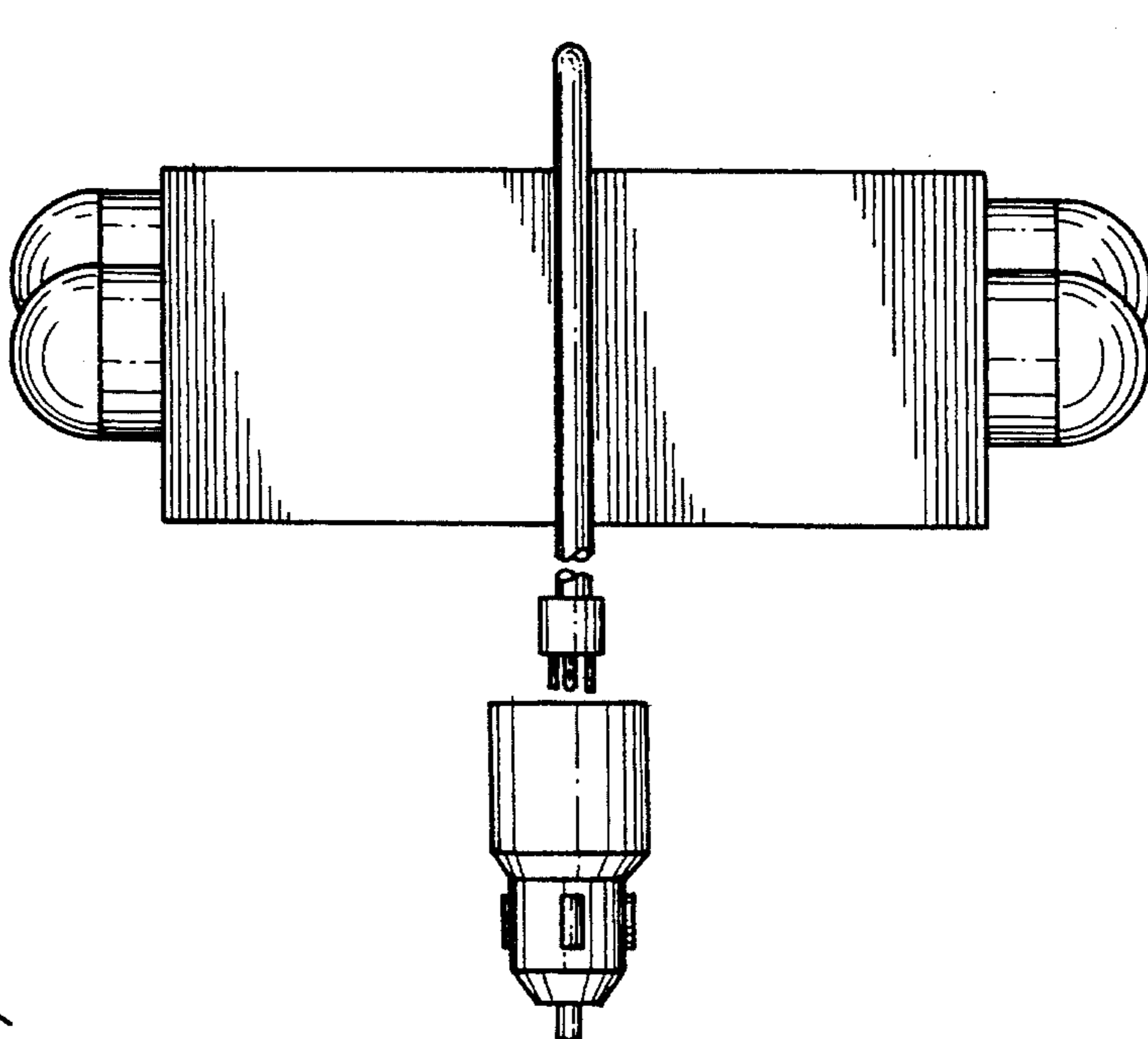


FIG. 6.



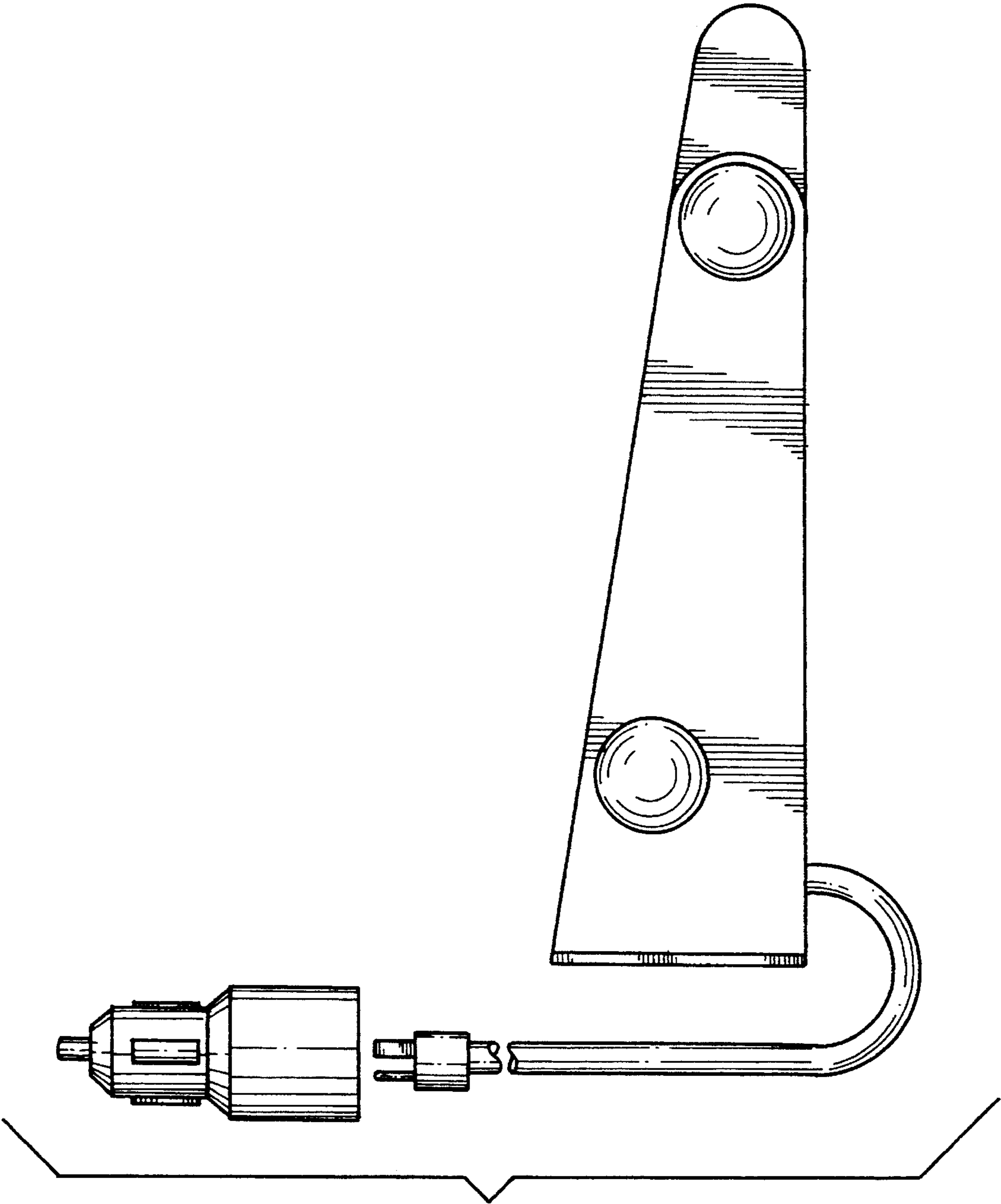


FIG. 4.