



US00D367671S

United States Patent [19]

Pijlman

[11] Patent Number: **Des. 367,671**

[45] Date of Patent: ****Mar. 5, 1996**

[54] **WRITING PEN IN THE SHAPE OF A PLANE**

[75] Inventor: **Ronald P. Pijlman**, Queensway, Hong Kong

[73] Assignee: **ID Traders Limited**, Hong Kong, Hong Kong

[**] Term: **14 Years**

[21] Appl. No.: **33,530**

[22] Filed: **Jan. 13, 1995**

[52] U.S. Cl. **D19/42**; D19/51; D19/56; 401/209; D21/87

[58] **Field of Search** D19/35, 36, 41, D19/42, 43-51, 54-58, 81-85; D21/87; D12/319, 343; 401/67, 88, 209

[56] **References Cited**

U.S. PATENT DOCUMENTS

- D. 73,416 9/1927 Schnell D19/56
- D. 163,686 6/1951 Fried D19/56 X
- D. 280,110 8/1985 Brooks D19/42

- D. 280,335 8/1985 Dummar D21/87
- D. 299,471 1/1989 Carver et al. D19/49
- D. 308,395 6/1990 Mori D19/42
- D. 312,667 12/1990 Visco et al. D21/87
- 5,169,253 12/1992 Tsao 401/195

Primary Examiner—Martie Thompson
Attorney, Agent, or Firm—Cooper & Dunham

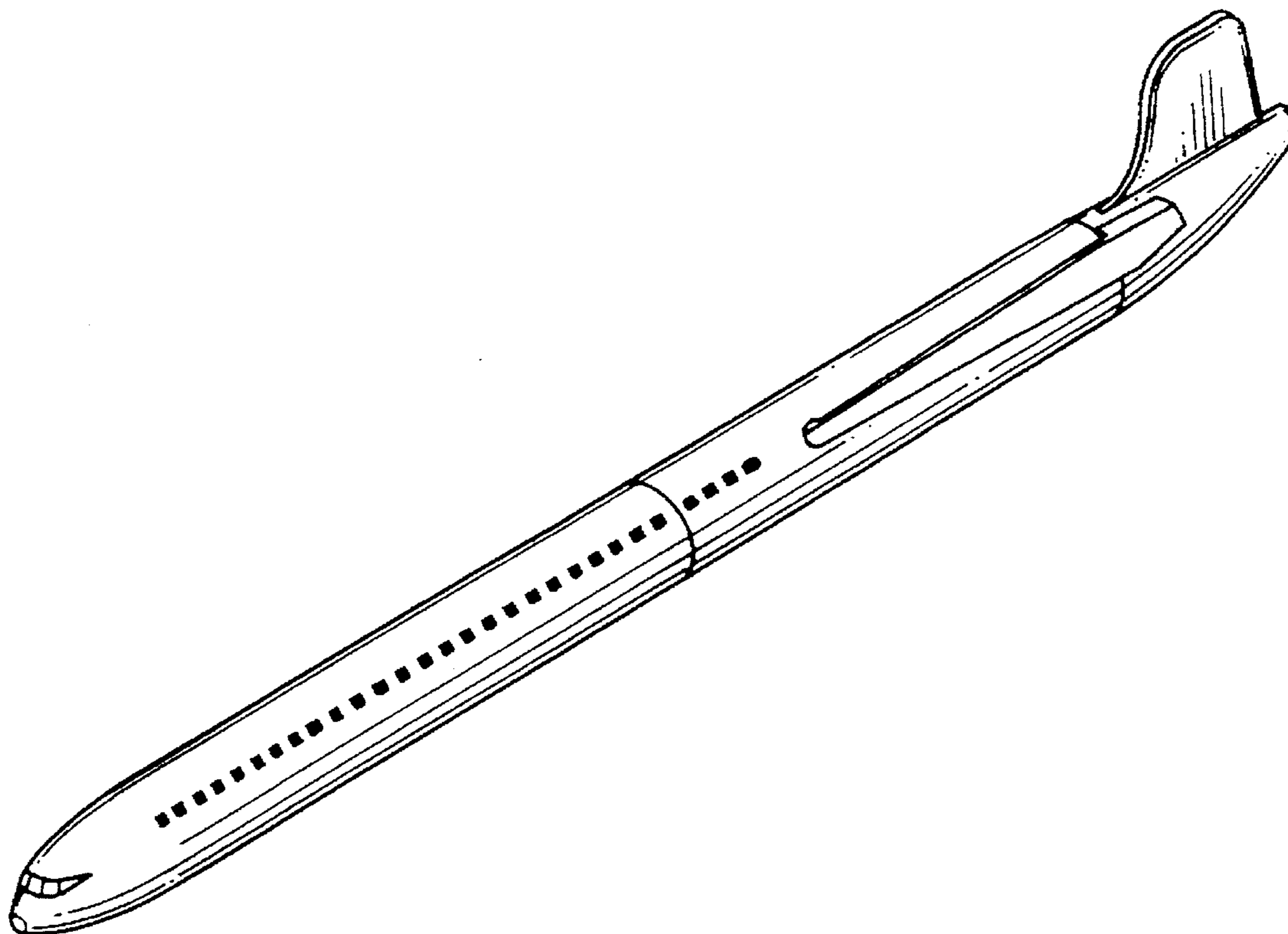
[57] **CLAIM**

The ornamental design for a writing pen in the shape of a plane, as shown and described.

DESCRIPTION

FIG. 1 is a front perspective view of a writing pen in the shape of a plane showing my new design; FIG. 2 is a left side elevational view; FIG. 3 is a front elevational view; FIG. 4 is a right side elevational view; FIG. 5 is rear elevational view; FIG. 6 is a bottom plan view; and, FIG. 7 is a top plan view thereof.

1 Claim, 1 Drawing Sheet



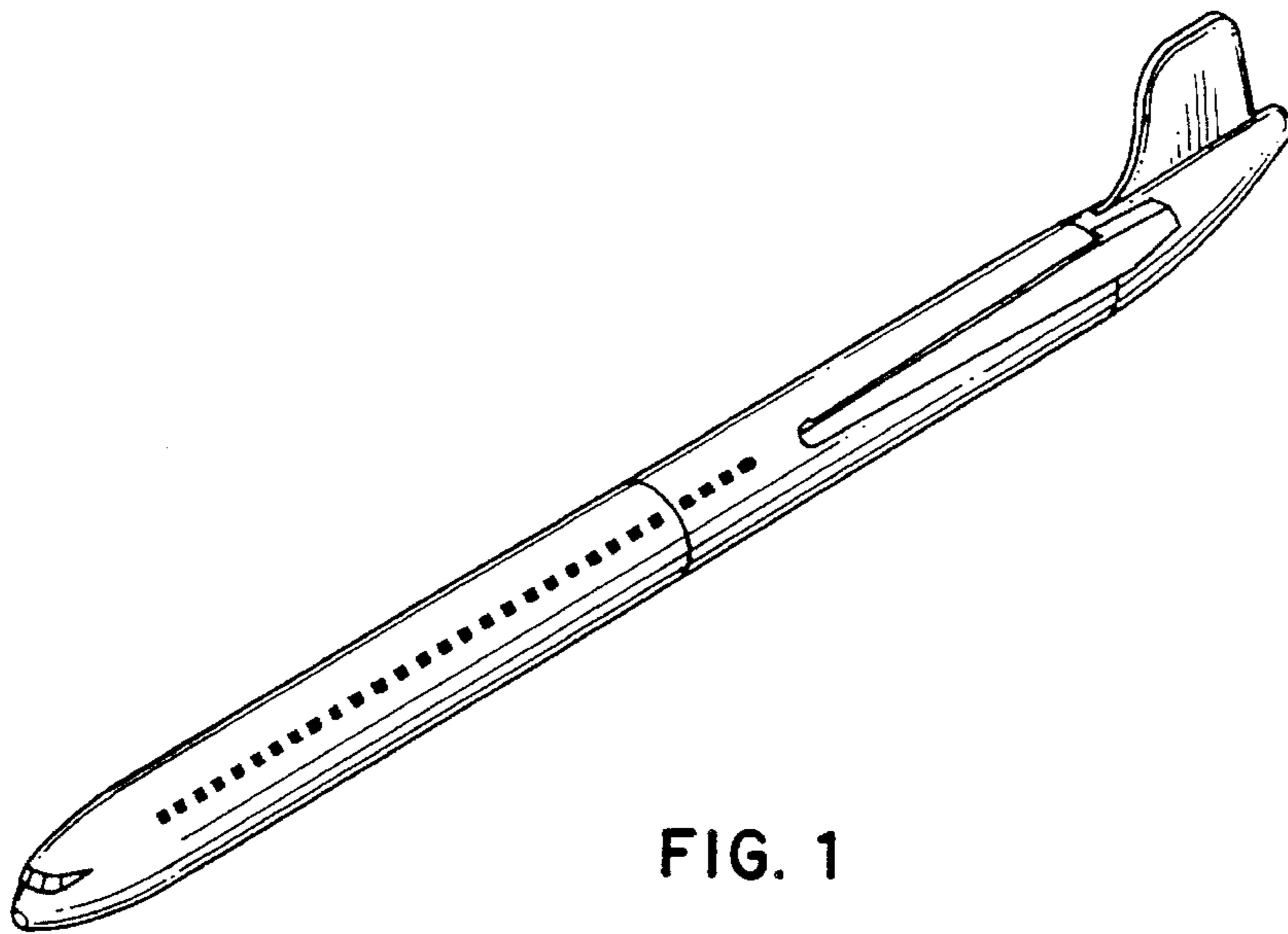


FIG. 1

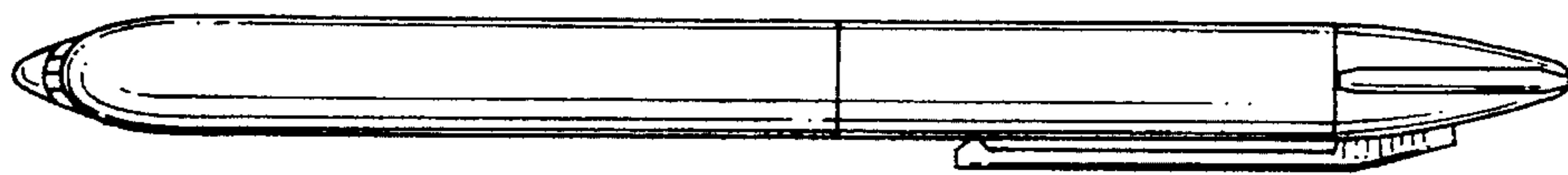


FIG. 2

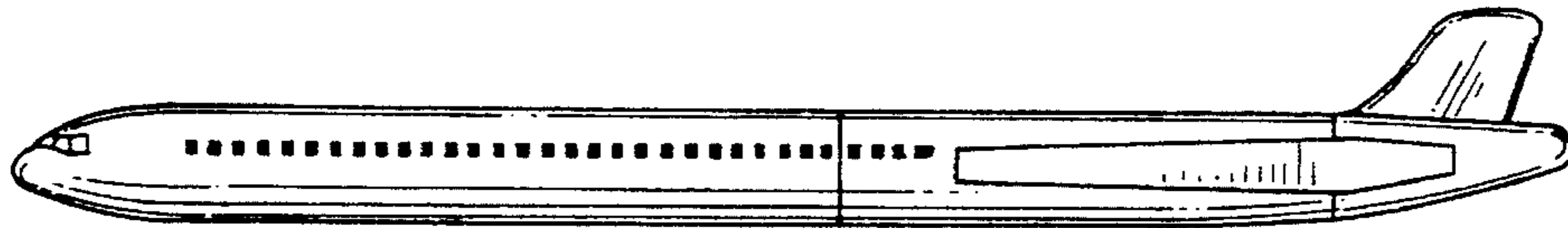


FIG. 3

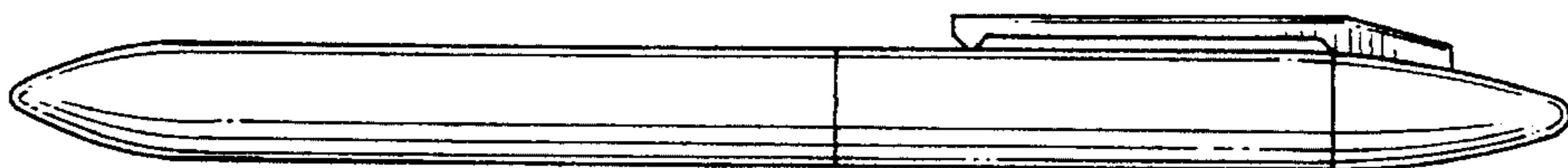


FIG. 4

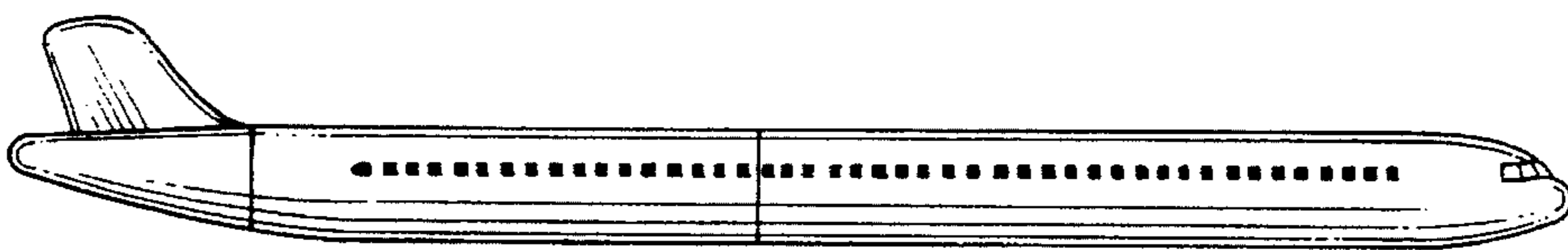


FIG. 5

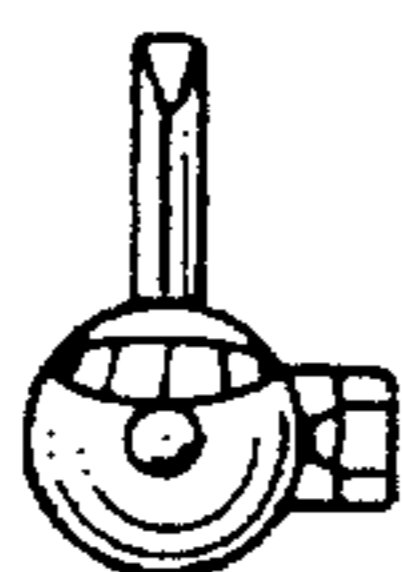


FIG. 6

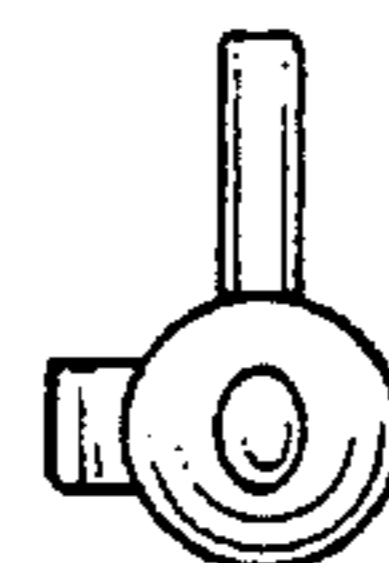


FIG. 7