



US00D367670S

United States Patent [19]
Elliott

[11] **Patent Number: Des. 367,670**

[45] **Date of Patent: **Mar. 5, 1996**

[54] **TRANSFER CYLINDER**

[75] Inventor: **James A. Elliott**, Euless, Tex.

[73] Assignee: **Howard W. DeMoore**, Dallas, Tex.

[**] Term: **14 Years**

[21] Appl. No.: **38,061**

[22] Filed: **Apr. 27, 1995**

[52] U.S. Cl. **D18/58**

[58] **Field of Search** D18/56, 57, 58;
D15/143, 138; 101/142, 143, 144, 348,
369

[56] **References Cited**

U.S. PATENT DOCUMENTS

D. 241,074	8/1976	Hamisch	D18/58
D. 250,119	10/1978	Qualls	D15/138
D. 258,828	4/1981	Zrobek	D18/58
4,391,193	7/1983	Ishii et al.	101/144 X

Primary Examiner—Antoine Duval Davis
Attorney, Agent, or Firm—Dennis T. Griggs

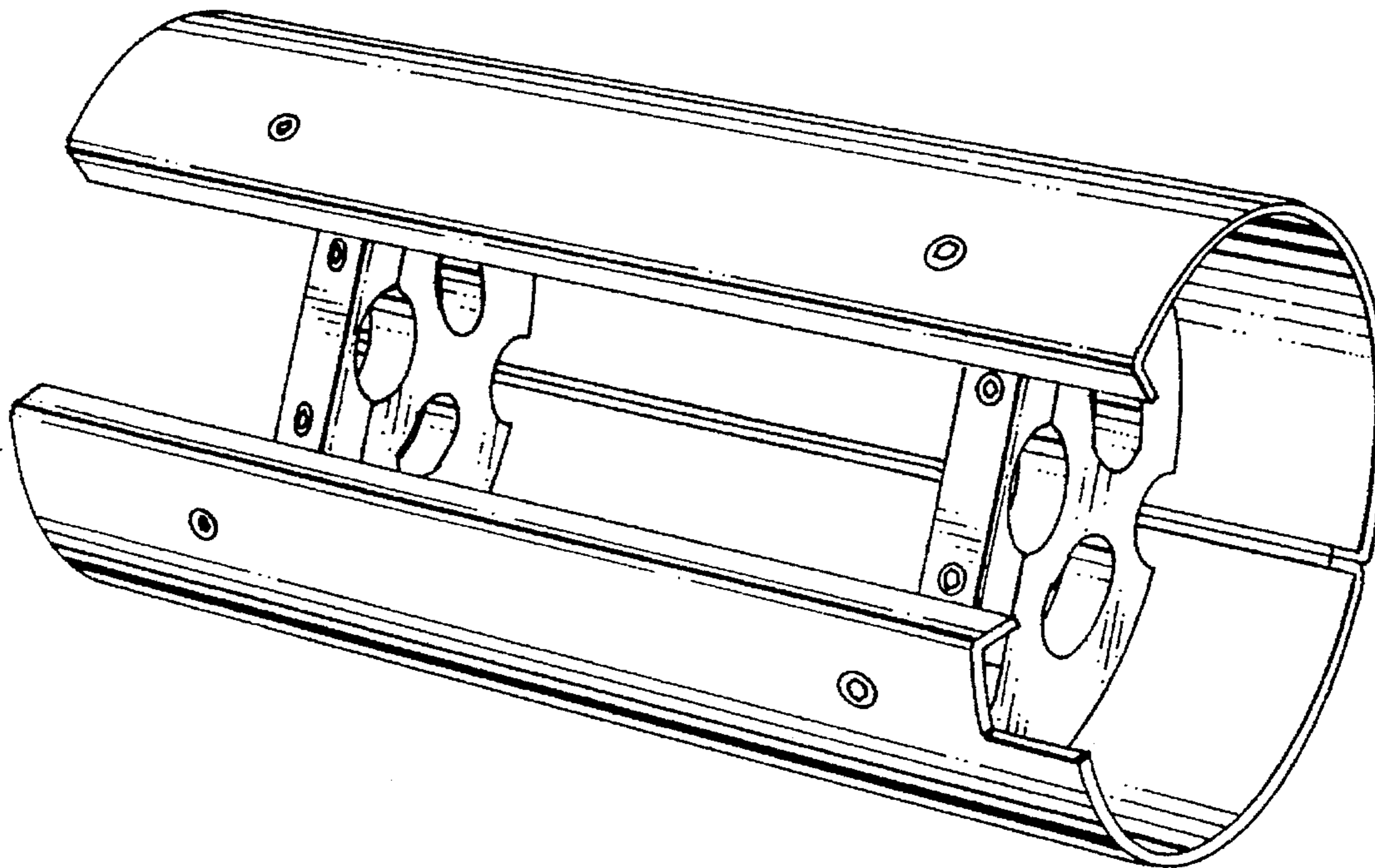
[57] **CLAIM**

The ornamental design for a transfer cylinder, as shown and described.

DESCRIPTION

FIG. 1 is a perspective view of a transfer cylinder showing my new design;
FIG. 2 is a front elevational view thereof;
FIG. 3 is a left side elevational view thereof;
FIG. 4 is a right side elevational view thereof;
FIG. 5 is a rear elevational view thereof;
FIG. 6 is a top plan view thereof;
FIG. 7 is a bottom plan view thereof;
FIG. 8 is a perspective view of a transfer cylinder showing an alternative embodiment of my new design;
FIG. 9 is a front elevational view thereof;
FIG. 10 is a left side elevational view thereof;
FIG. 11 is a right side elevational view thereof;
FIG. 12 is a rear elevational view thereof;
FIG. 13 is a top plan view thereof; and,
FIG. 14 is a bottom plan view thereof.

1 Claim, 4 Drawing Sheets



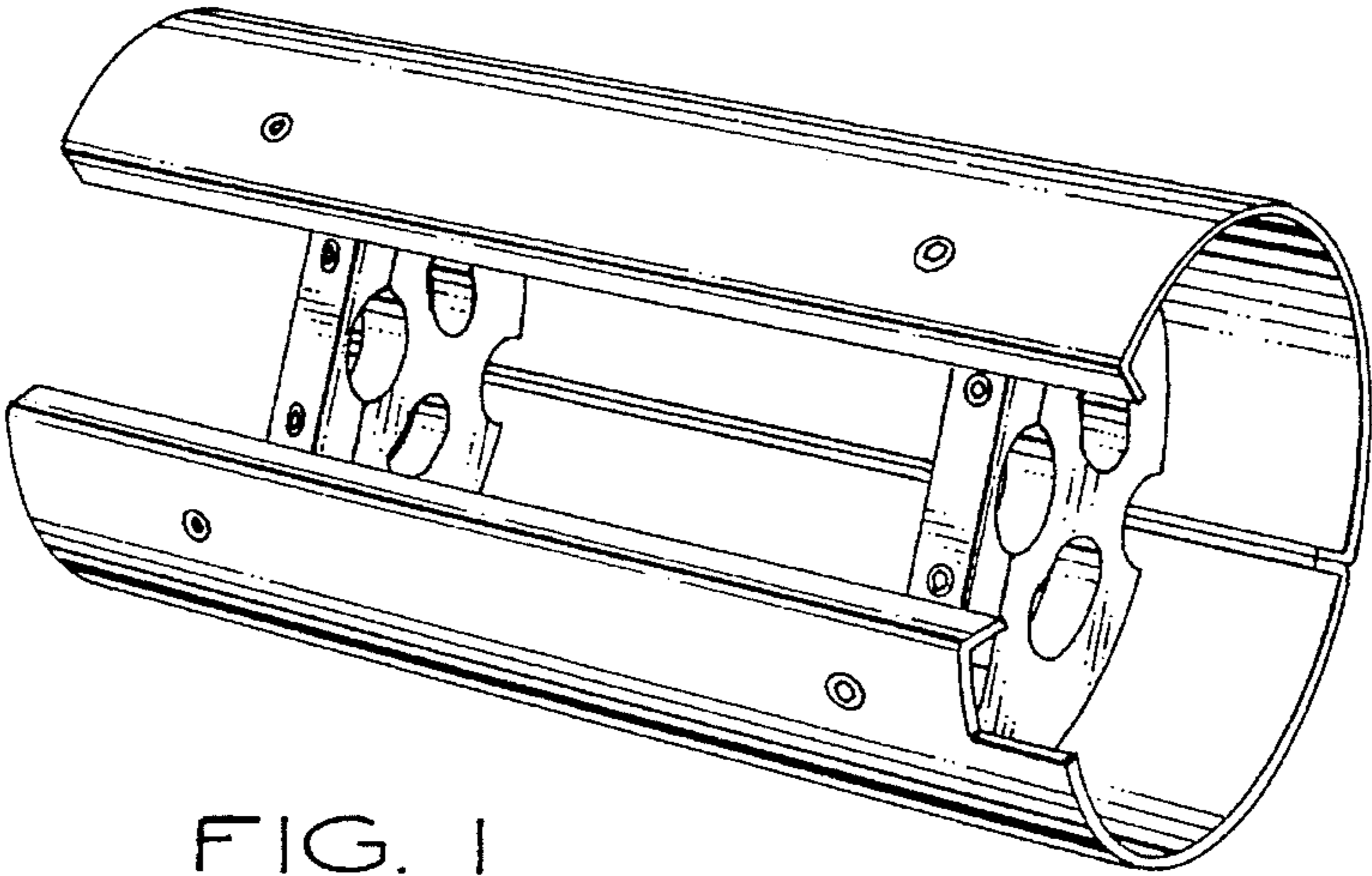


FIG. 1

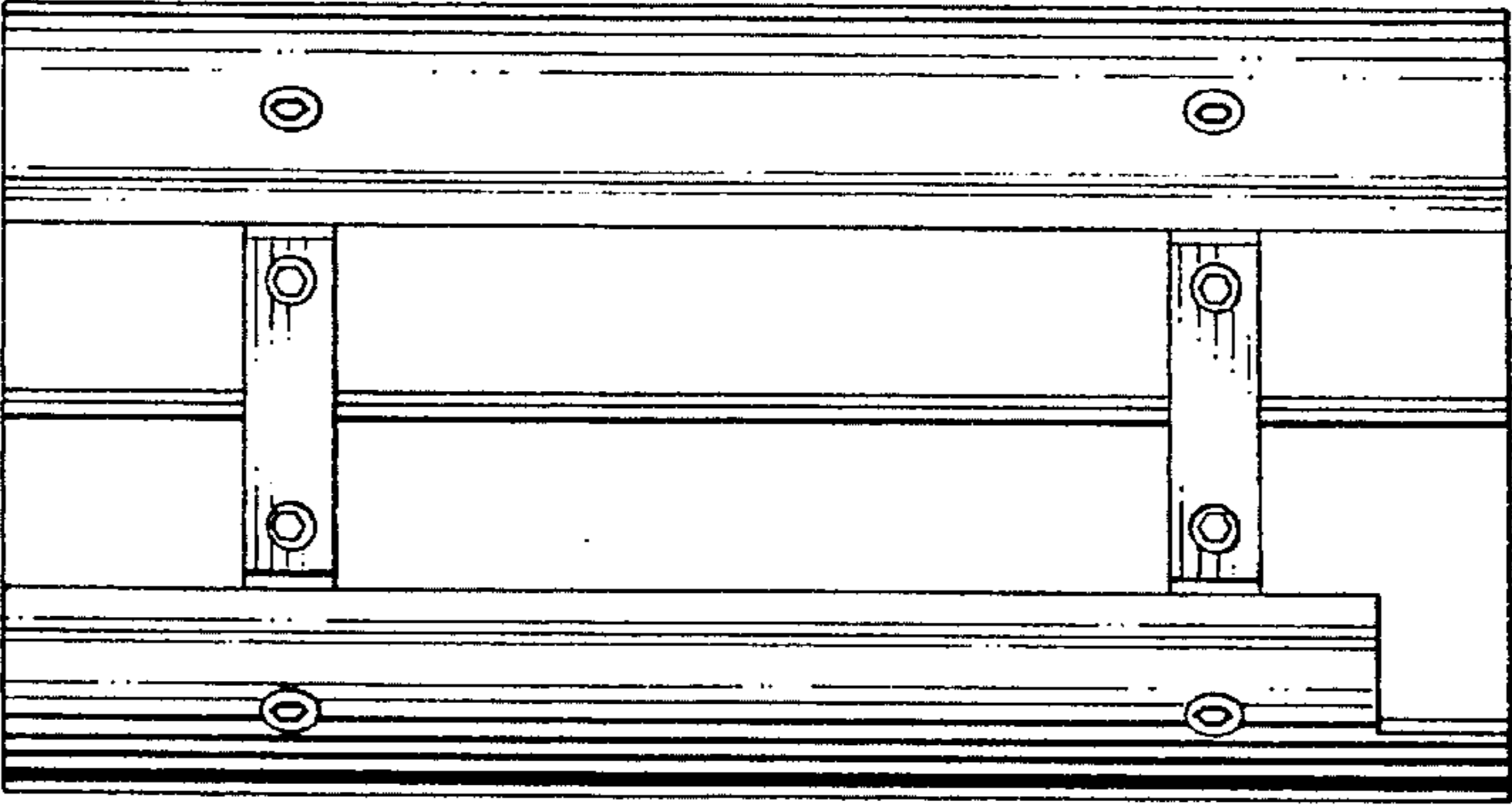


FIG. 2

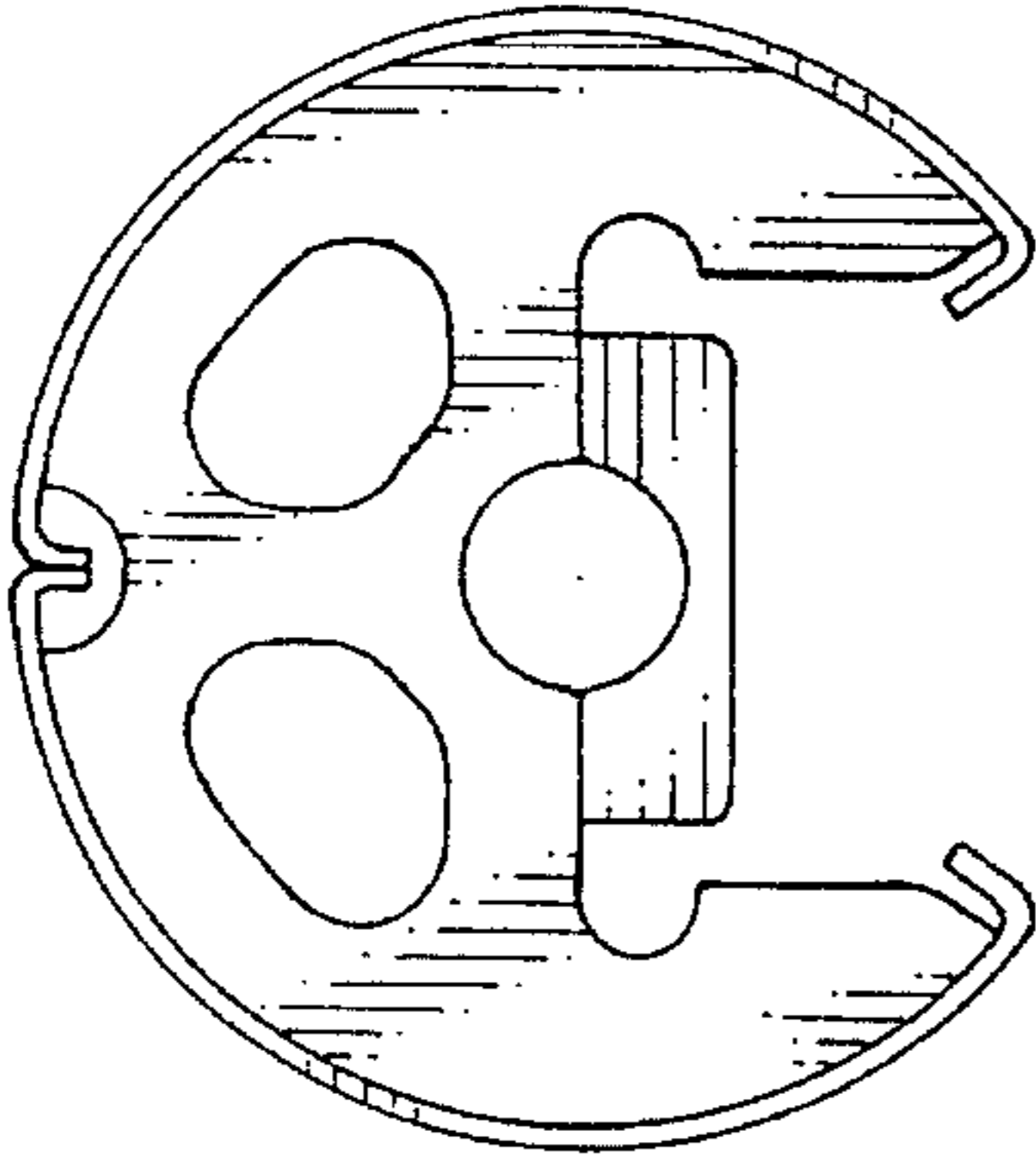


FIG. 3

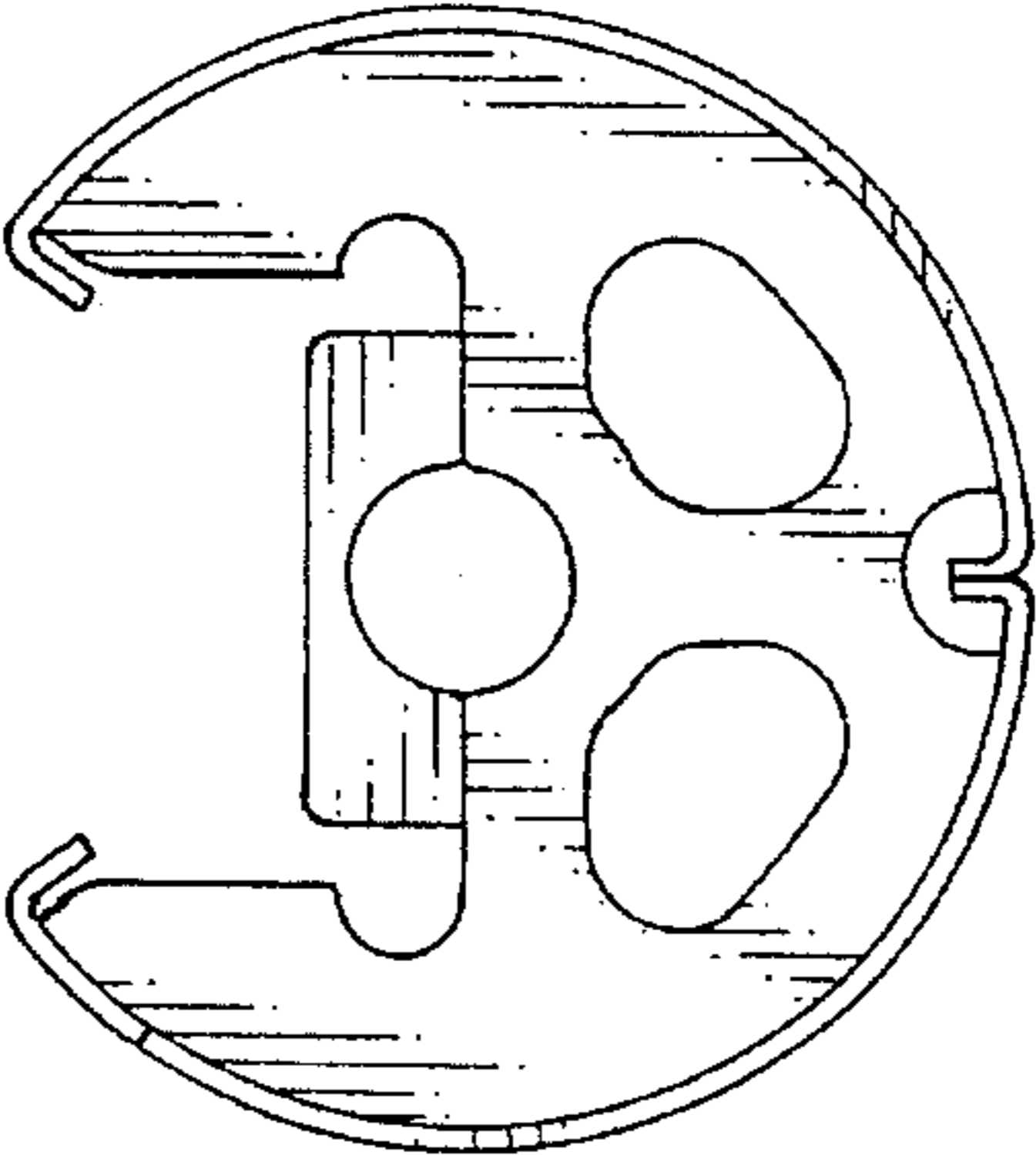


FIG. 4

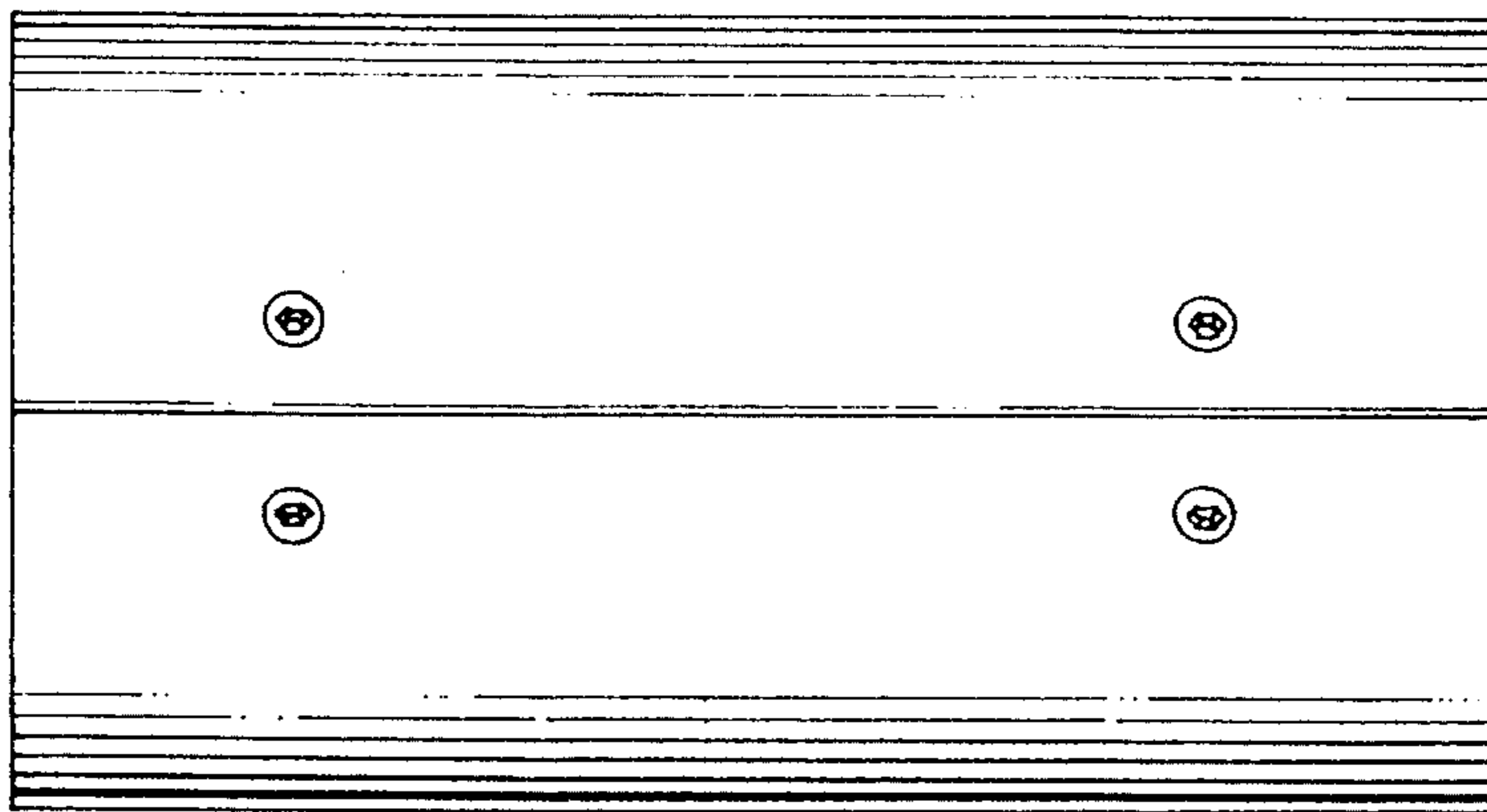


FIG. 5

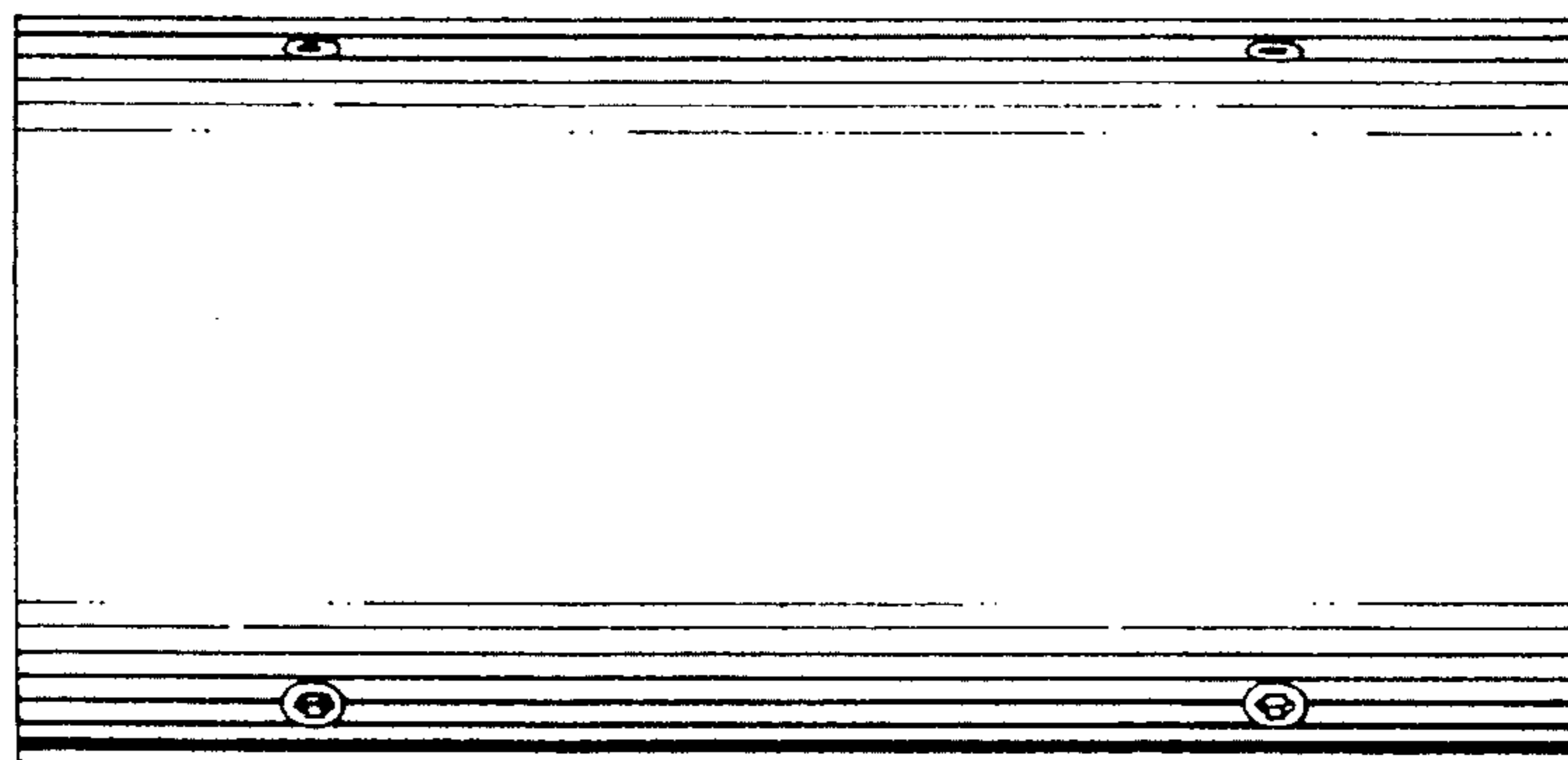


FIG. 6

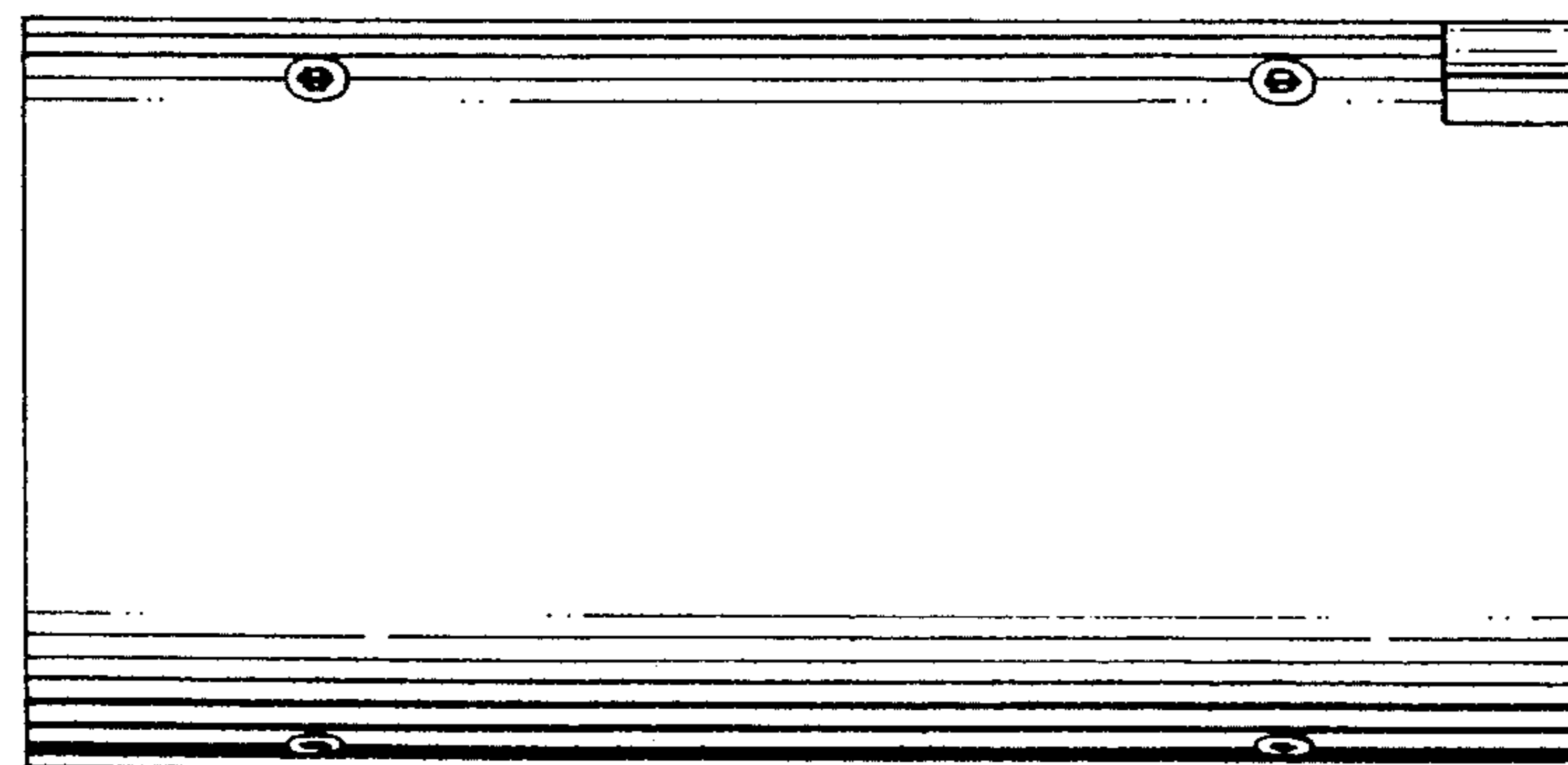


FIG. 7

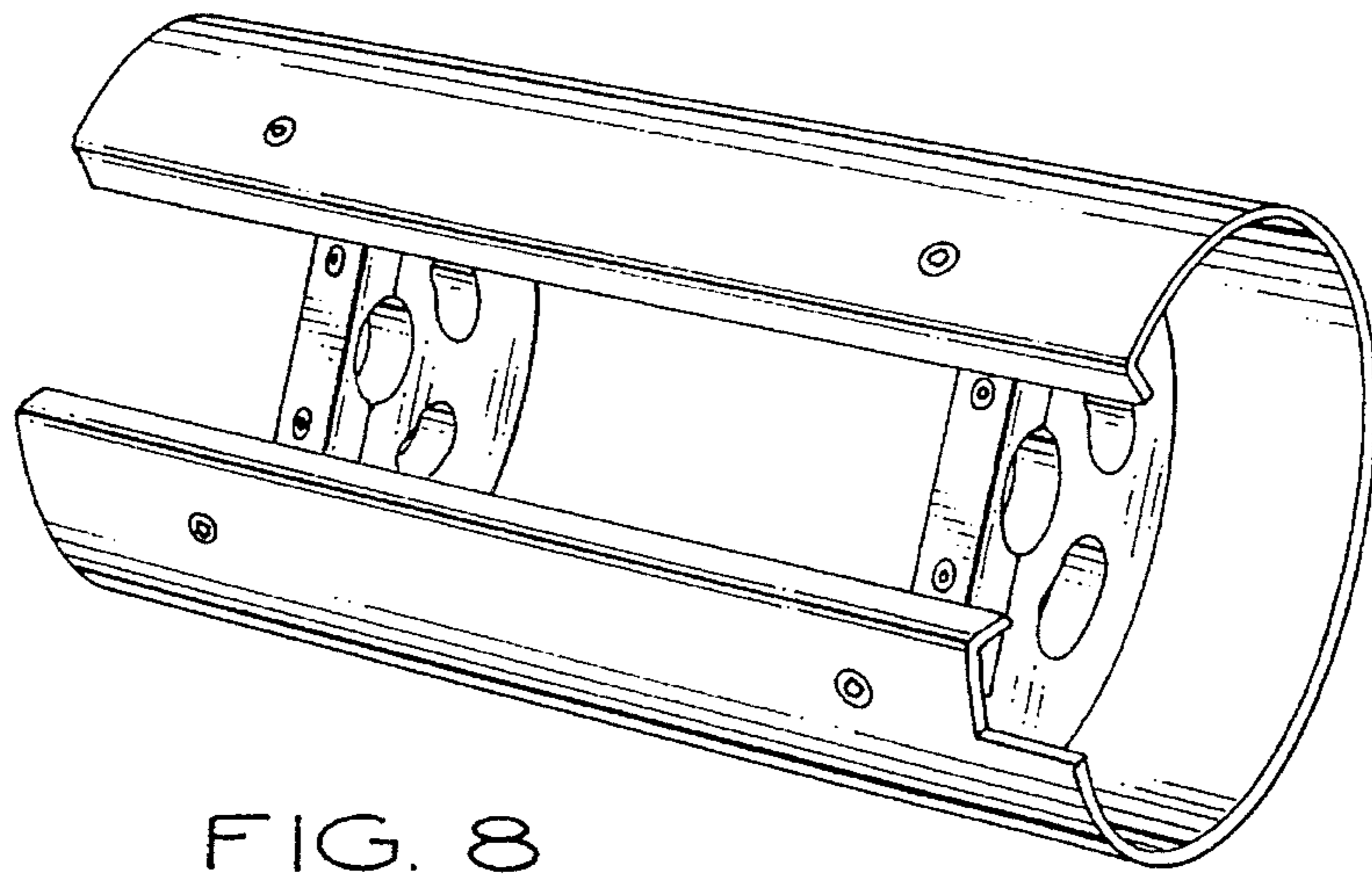


FIG. 8

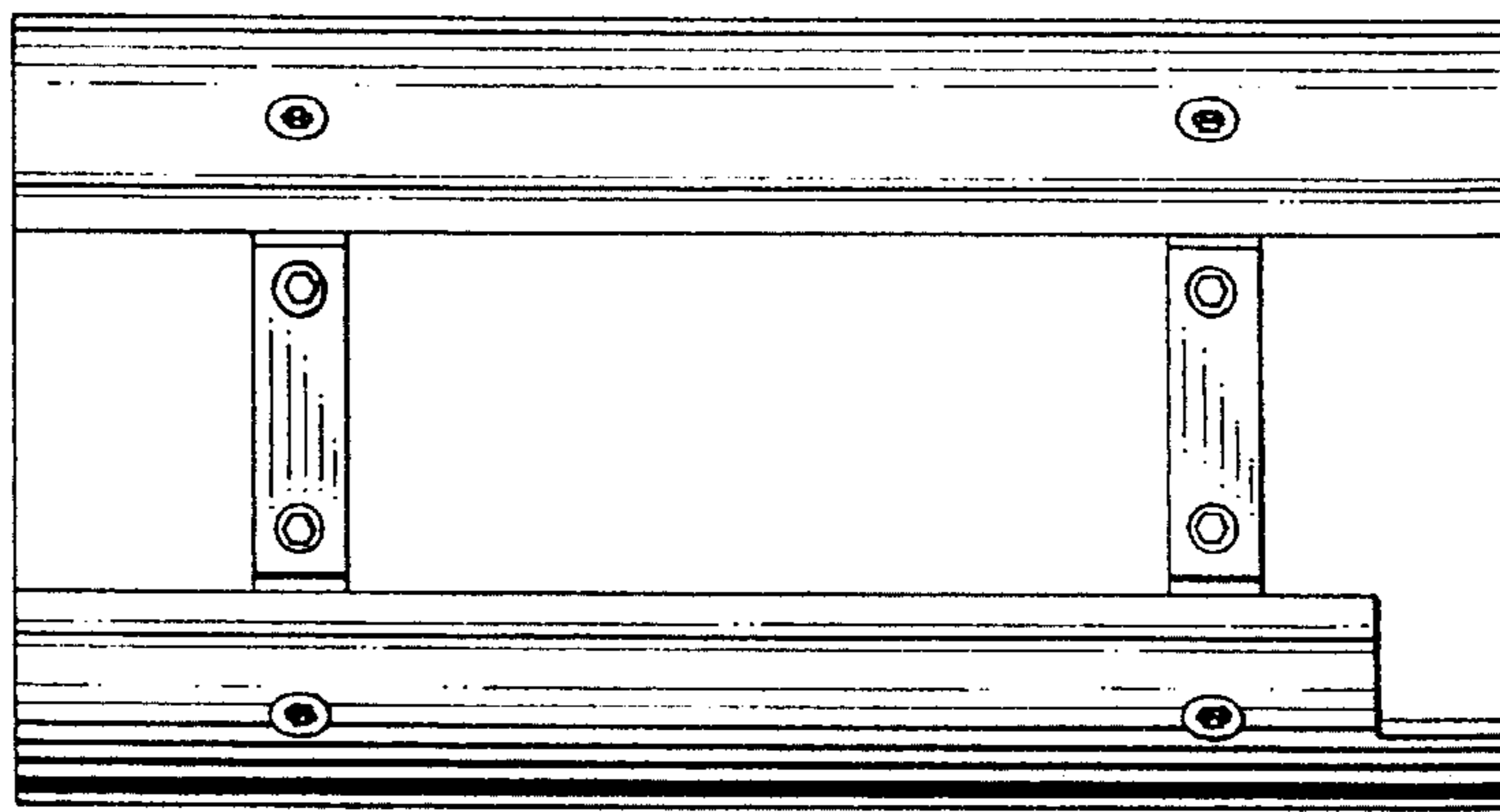


FIG. 9

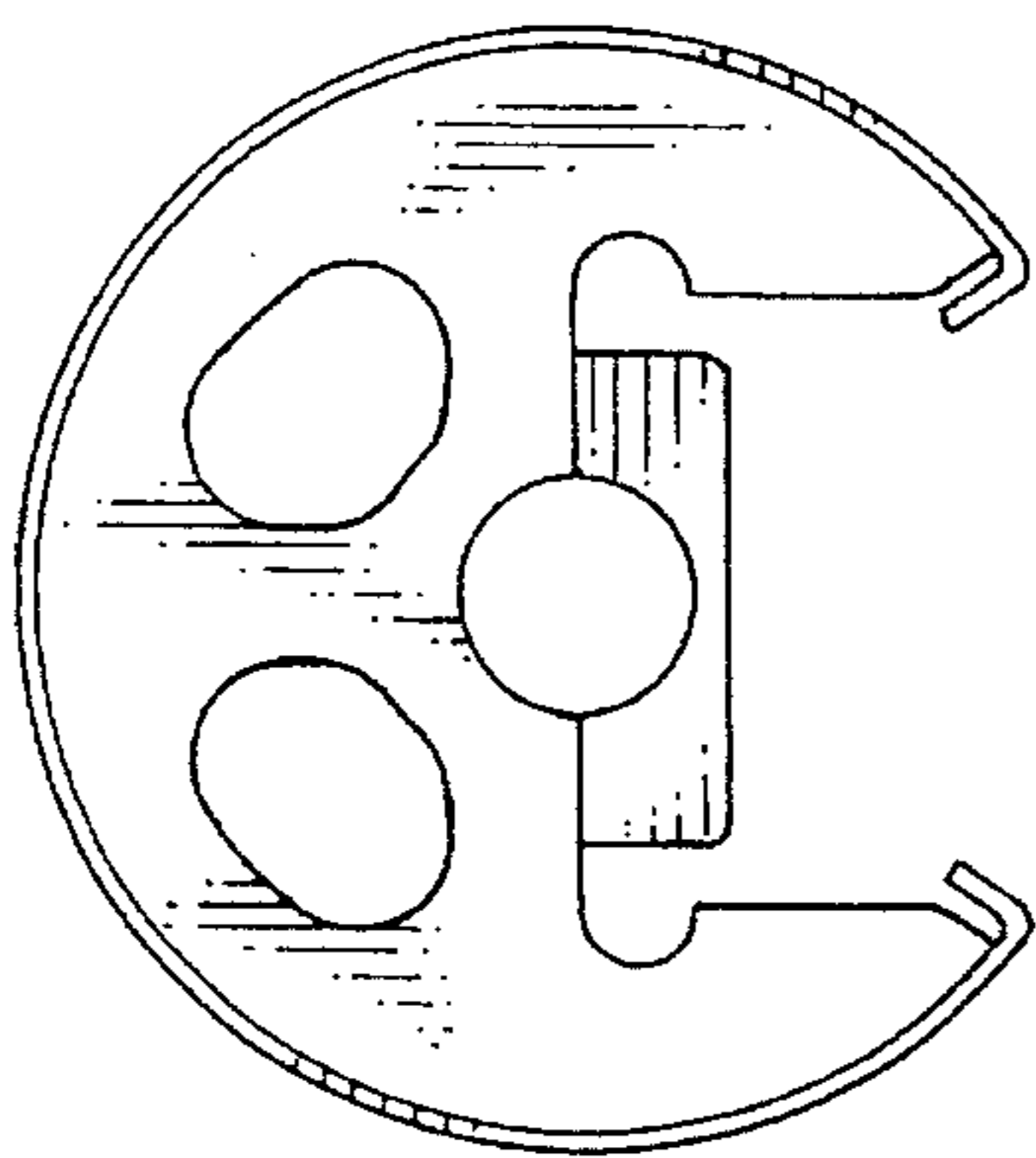


FIG. 10

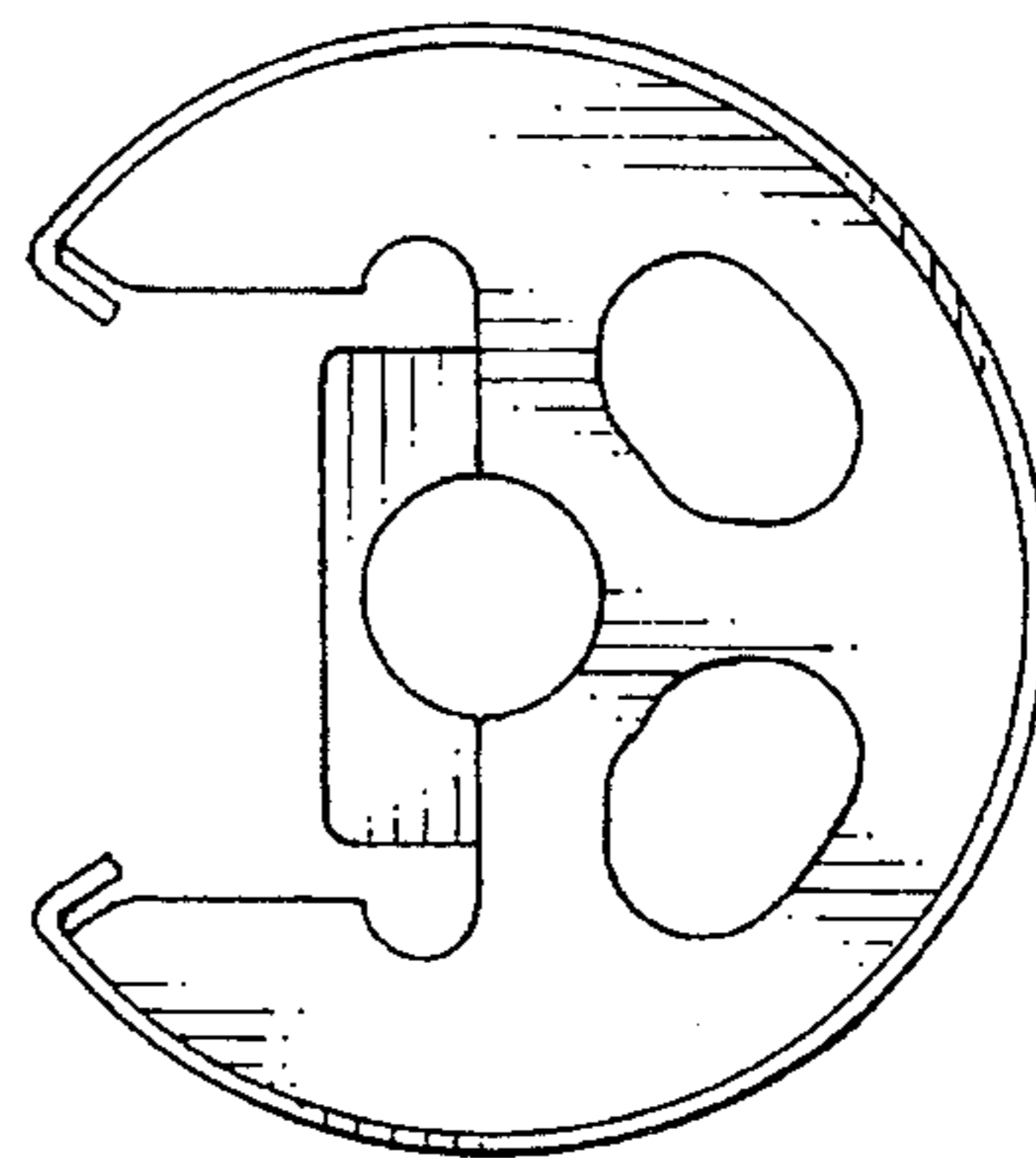


FIG. 11

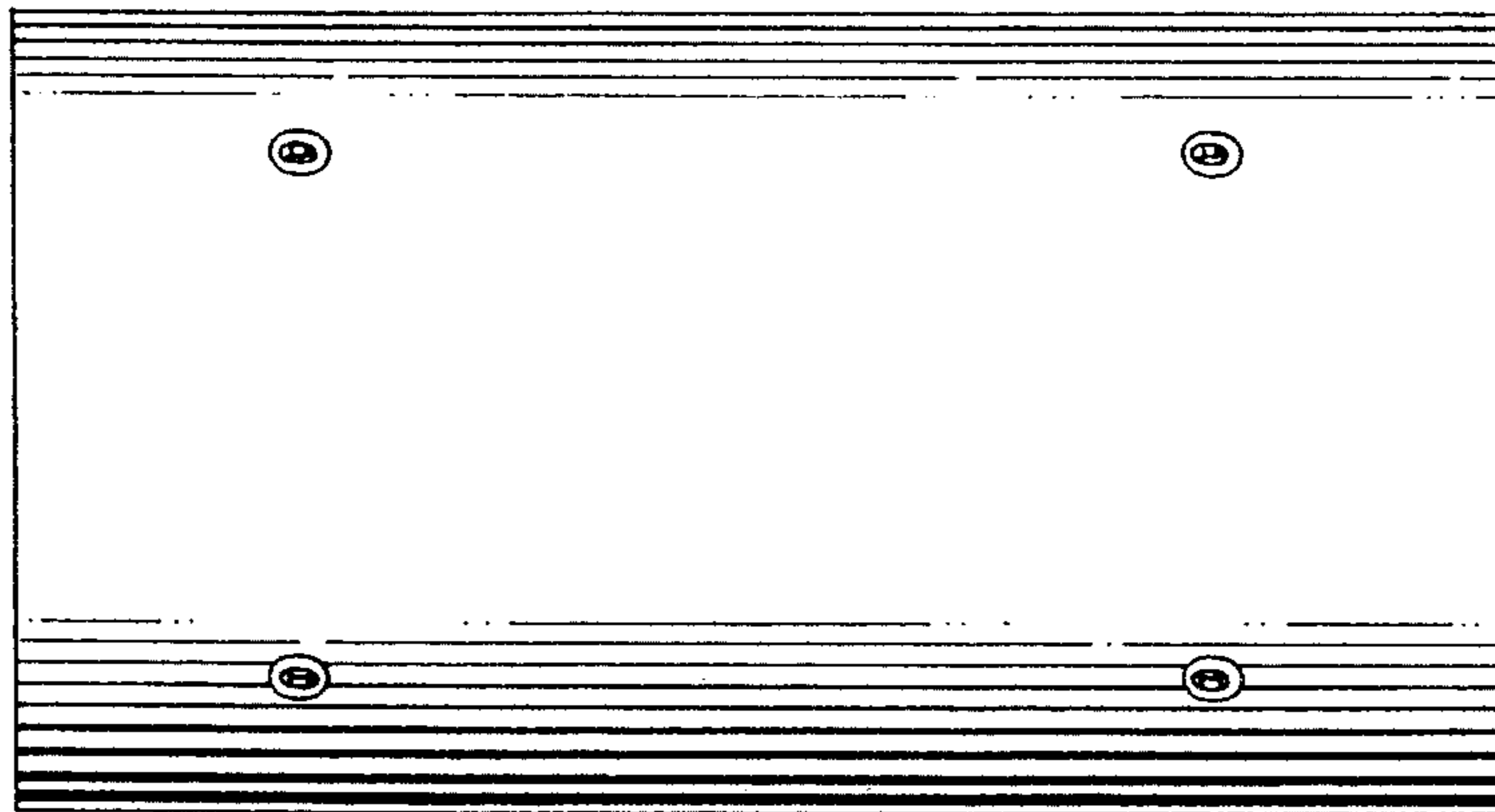


FIG. 12

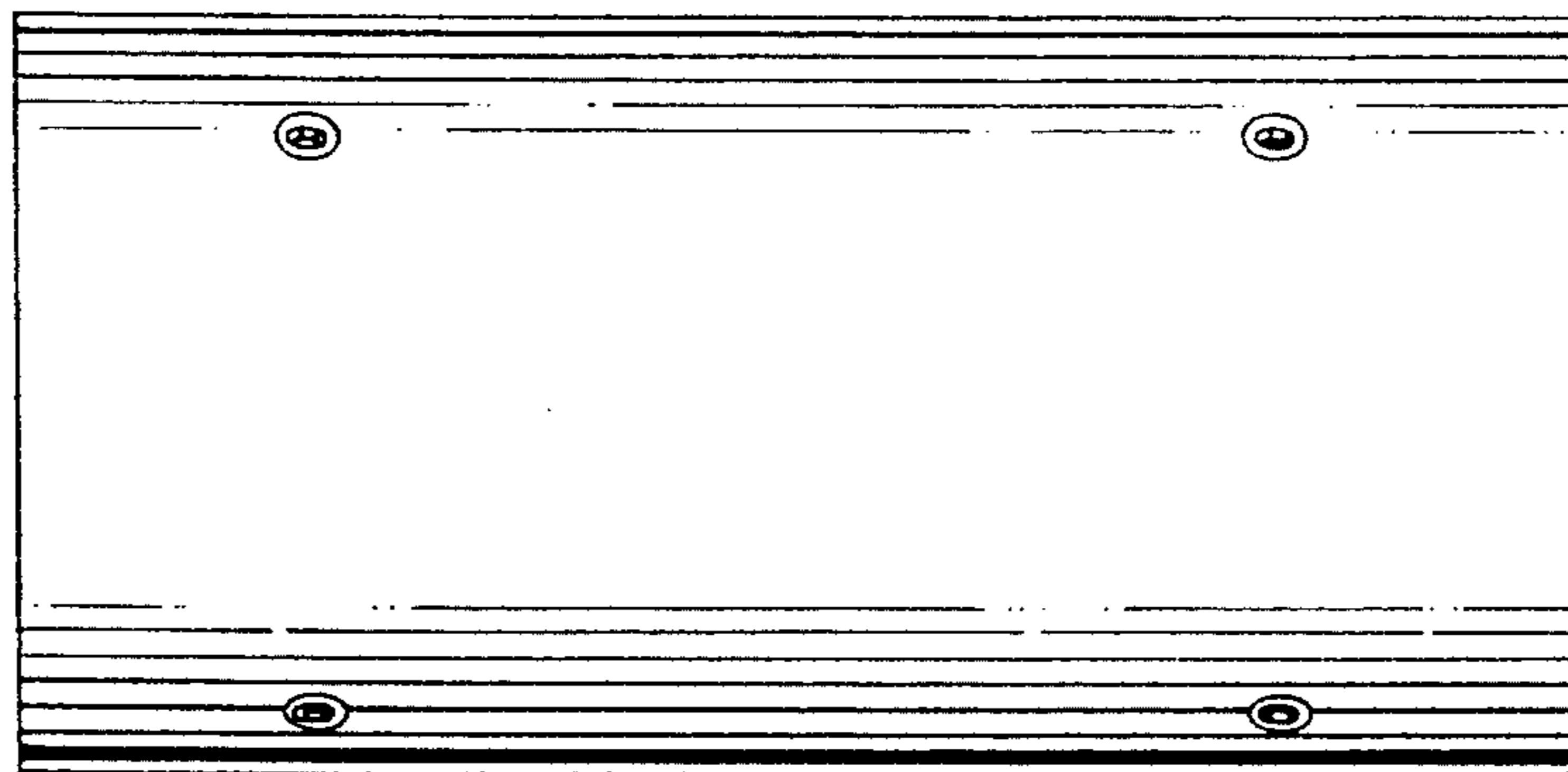


FIG. 13

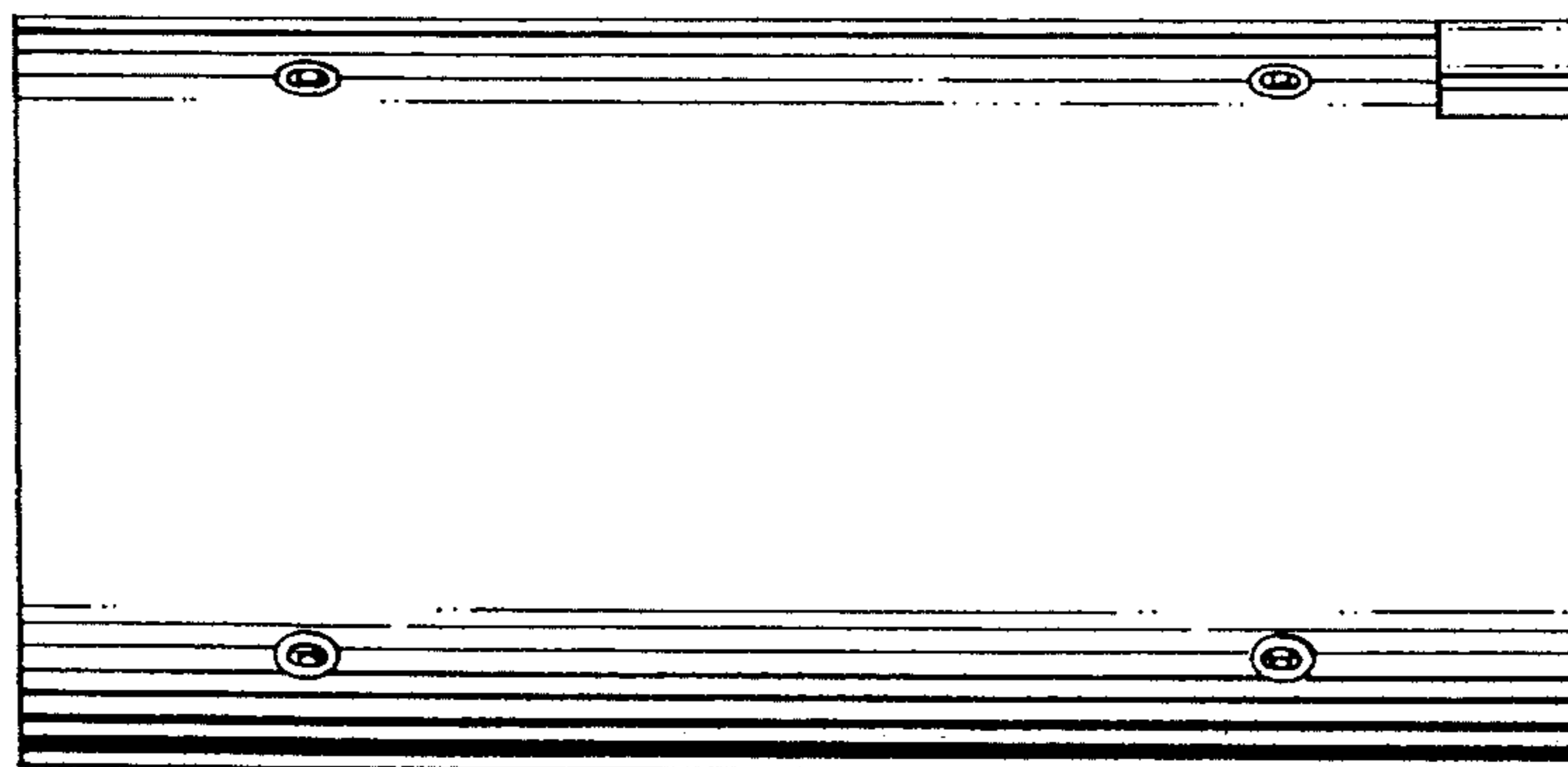


FIG. 14