



US00D367663S

United States Patent [19]

[11] Patent Number: **Des. 367,663**

Hinman et al.

[45] Date of Patent: ****Mar. 5, 1996**

[54] **REMOTE INTERACTIVE PROJECTOR**

[75] Inventors: **Brian L. Hinman**, Los Gatos, Calif.;
Scott Wakefield, Andover, Mass.

[73] Assignee: **Polycom, Inc.**, San Jose, Calif.

[**] Term: **14 Years**

[21] Appl. No.: **37,143**

[22] Filed: **Apr. 5, 1995**

[52] U.S. Cl. **D16/232**

[58] Field of Search D16/221, 225,
D16/229, 232, 233; 353/63-66, 119, 122,
94, DIG. 3, DIG. 4

[56] **References Cited**

U.S. PATENT DOCUMENTS

D. 349,715	8/1994	Darland	D16/232
3,438,702	4/1969	Milhaupt et al.	353/DIG. 5
5,198,846	3/1993	Zilber	353/DIG. 5

FOREIGN PATENT DOCUMENTS

3711541	10/1988	Germany	353/122
1-288555	11/1989	Japan	353/122
5-150365	6/1993	Japan	353/63

Primary Examiner—Ted Shooman
Assistant Examiner—Adir Aronovich
Attorney, Agent, or Firm—Carr, DeFilippo & Ferrell

[57] **CLAIM**

The ornamental design for a remote interactive projector, as shown and described.

DESCRIPTION

FIG. 1 is a perspective view showing the top, front and left side of a remote interactive projector according to our new design;

FIG. 2 is a front view of the remote interactive projector shown in FIG. 1;

FIG. 3 is a left side view of the remote interactive projector shown in FIG. 1;

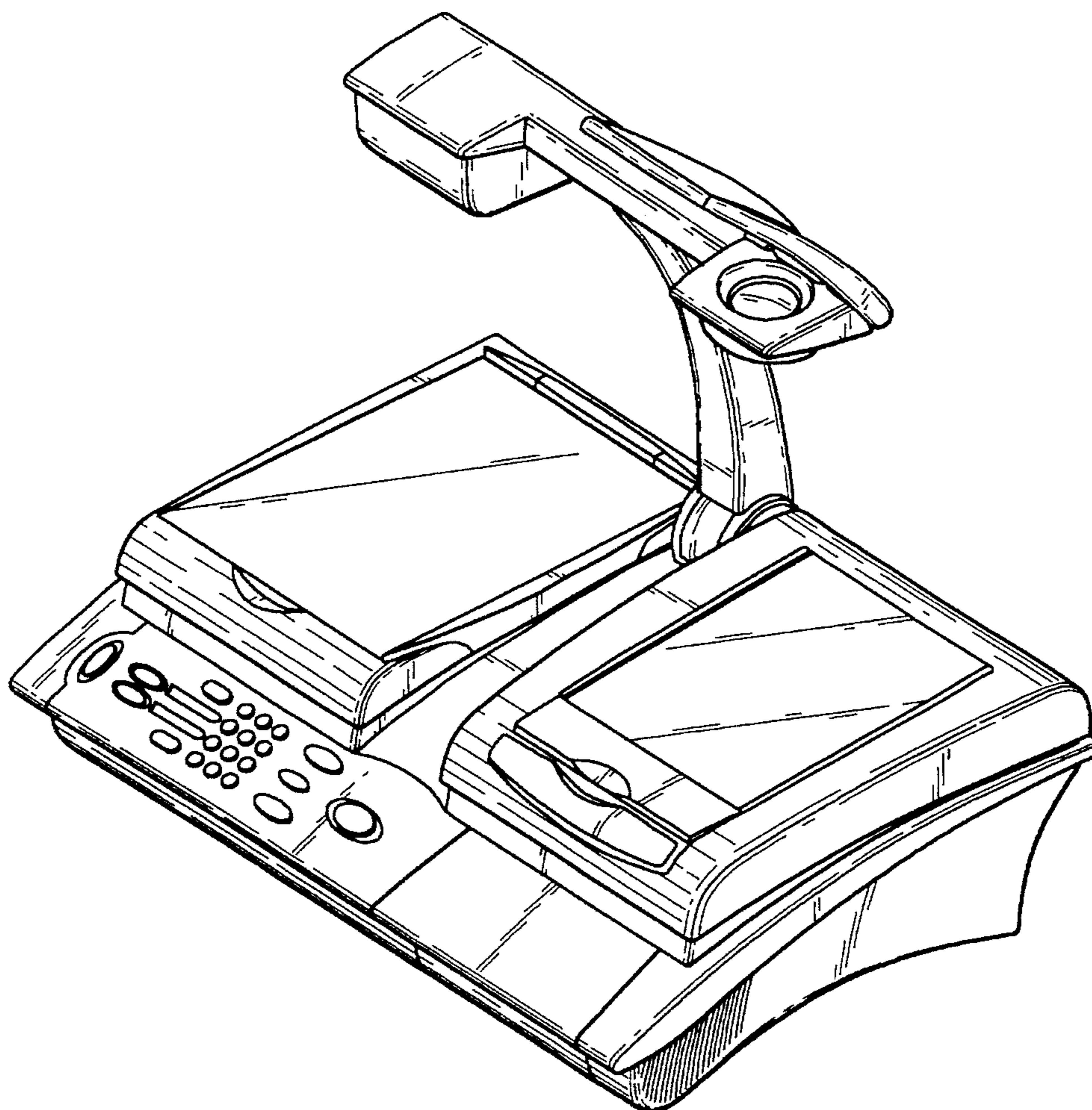
FIG. 4 is right side view of the remote interactive projector shown in FIG. 1;

FIG. 5 is a top view of the remote interactive projector shown in FIG. 1;

FIG. 6 is a bottom view of the remote interactive projector shown in FIG. 1; and,

FIG. 7 is a rear view of the remote interactive projector shown in FIG. 1.

1 Claim, 7 Drawing Sheets



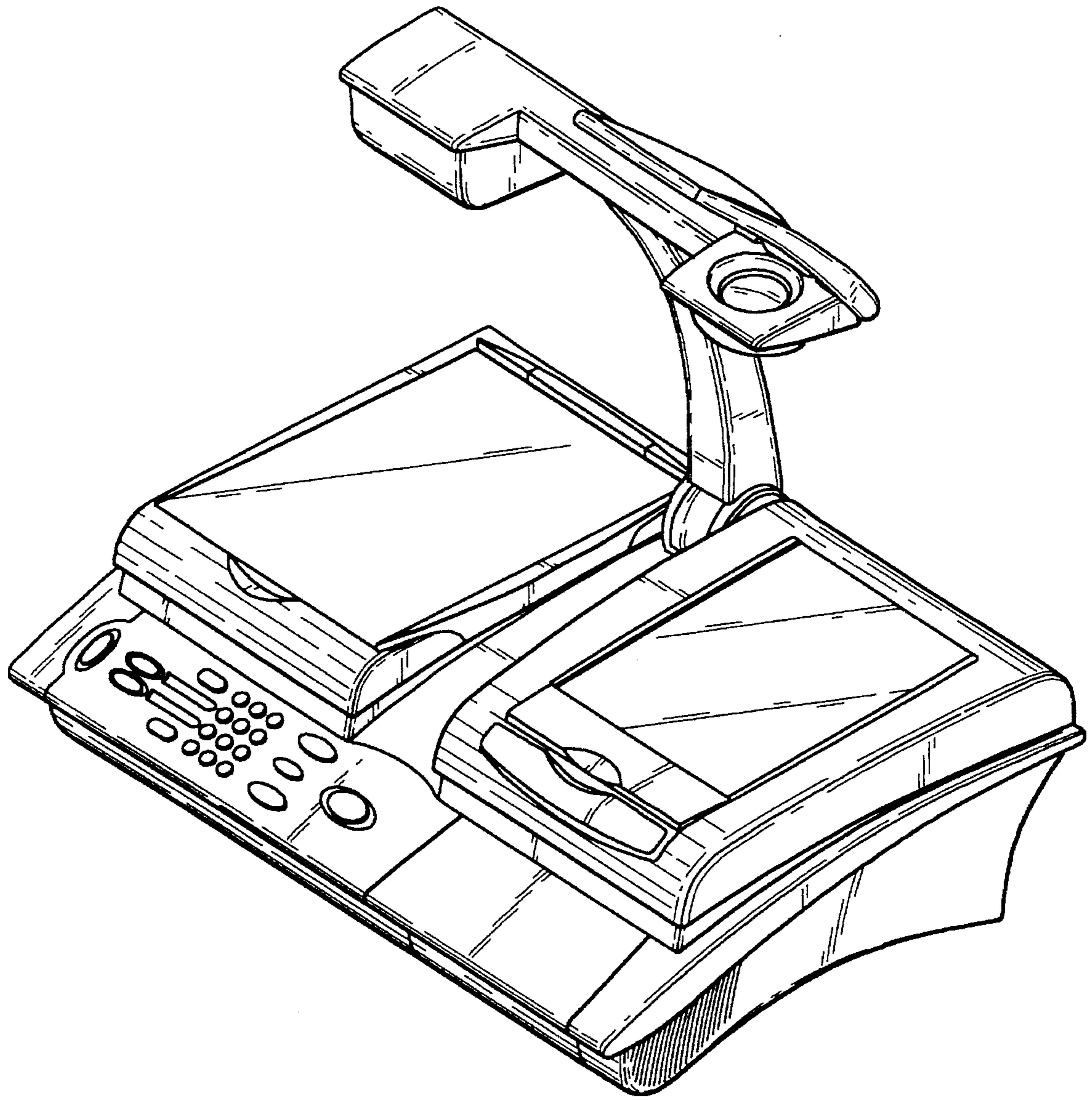


FIG. 1

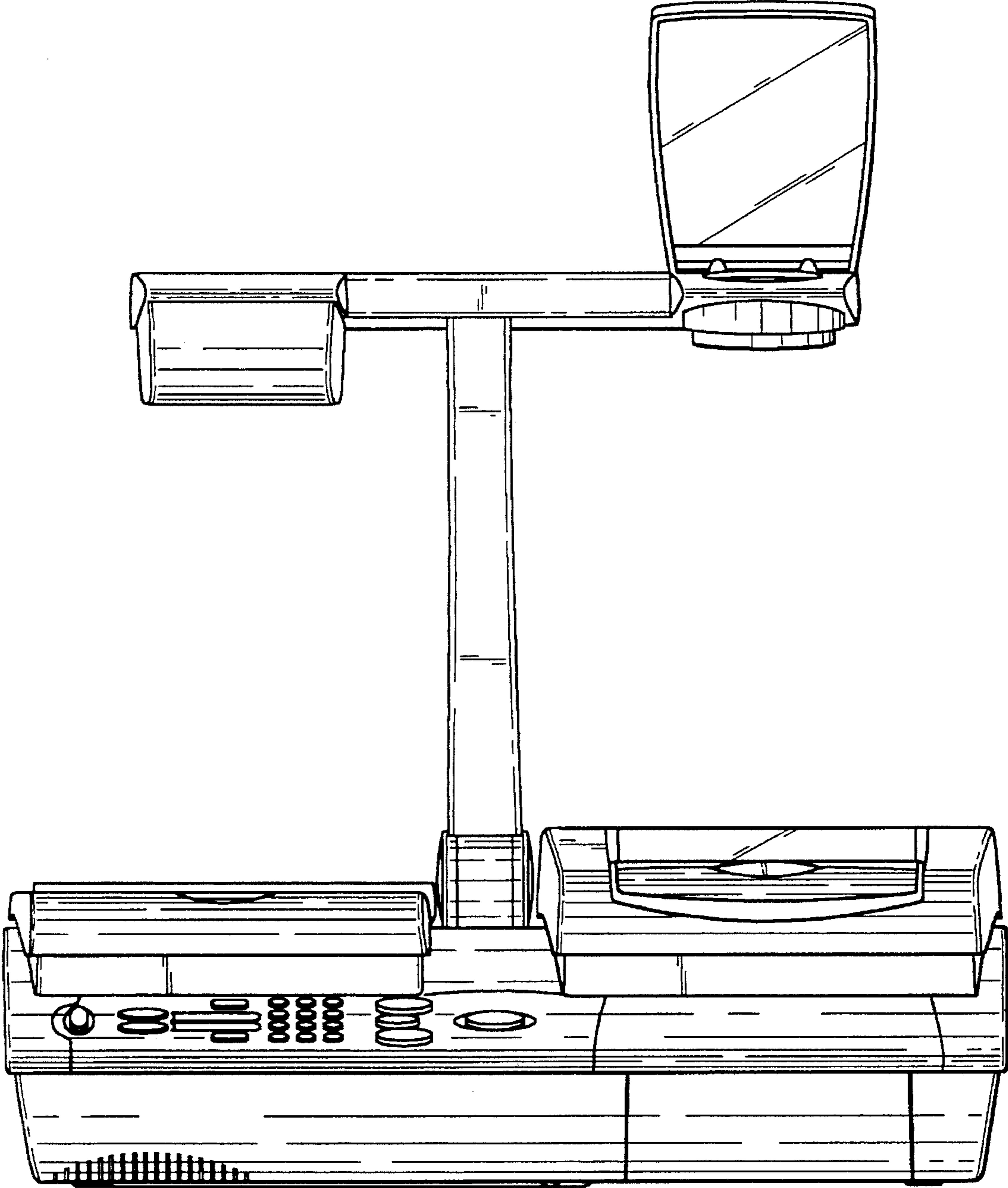


FIG. 2



FIG. 3

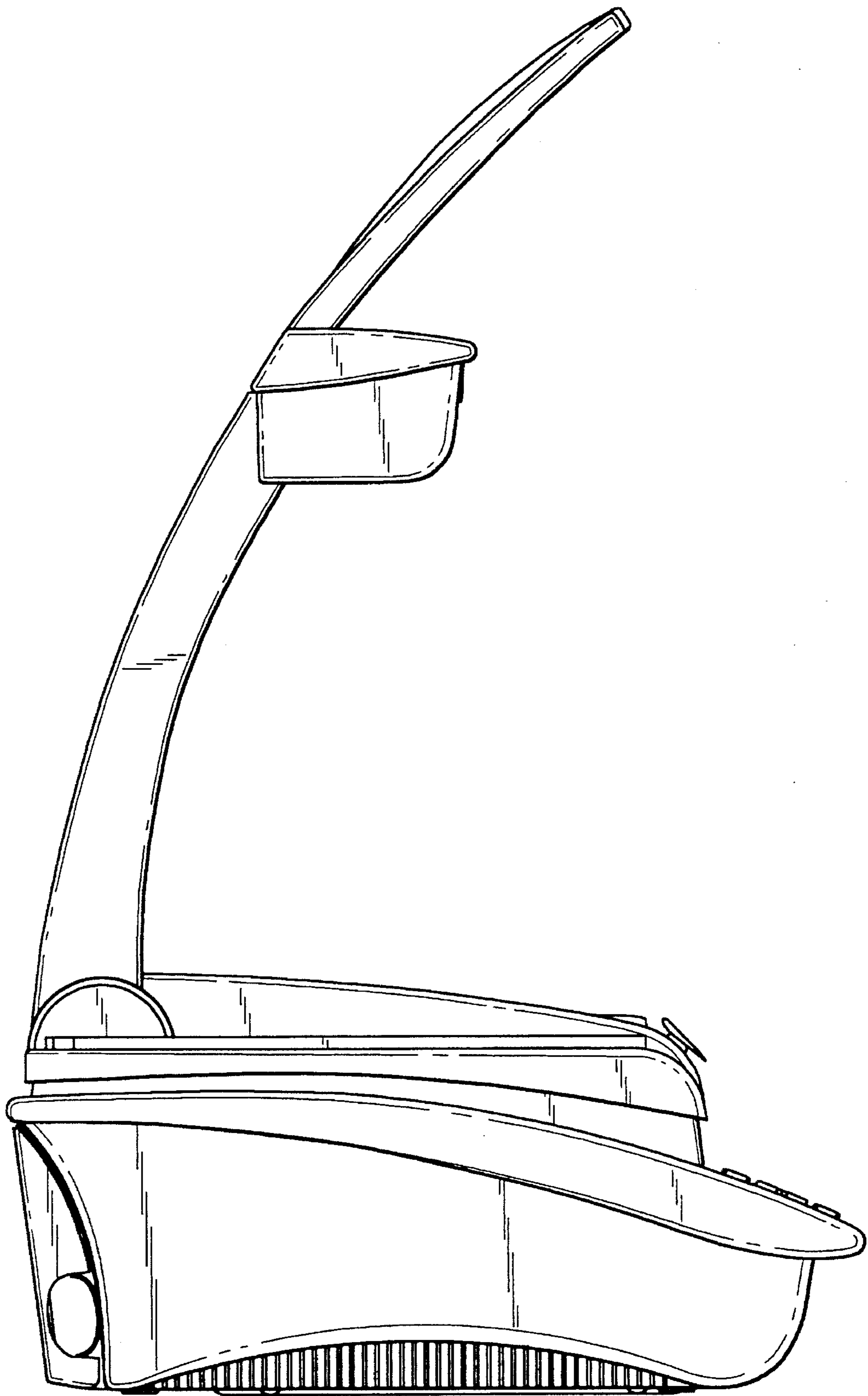


FIG. 4

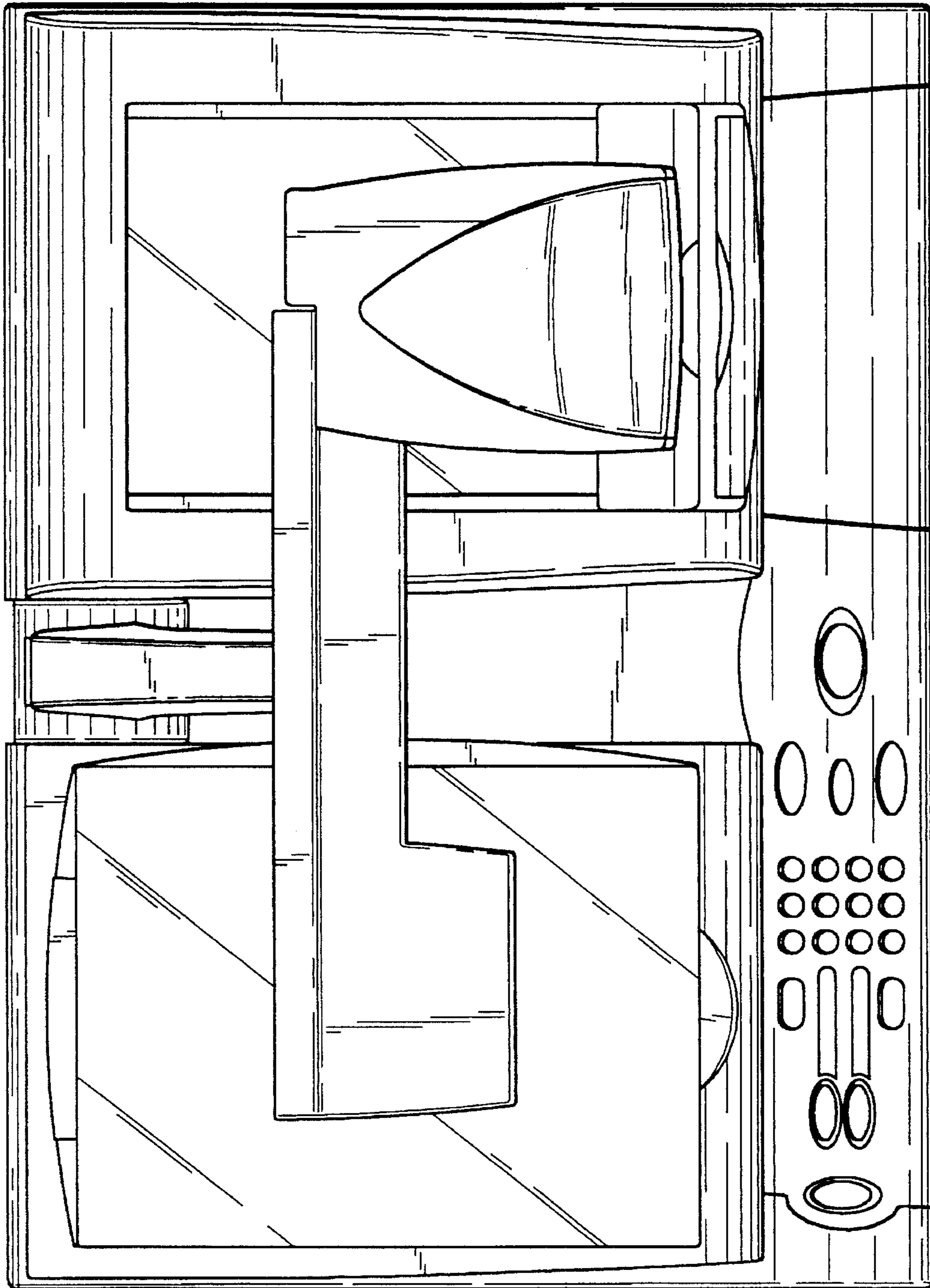


FIG. 5

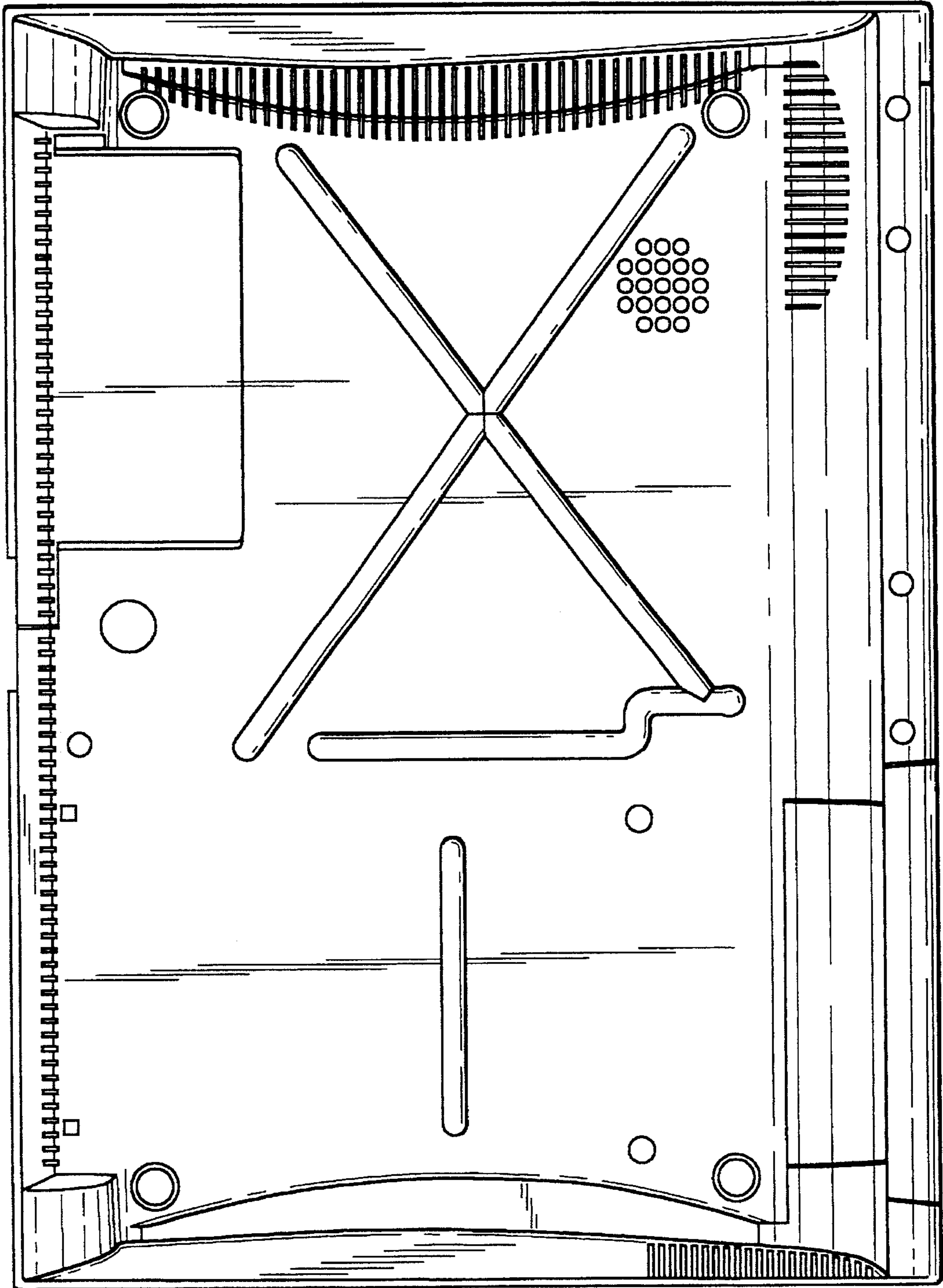


FIG. 6

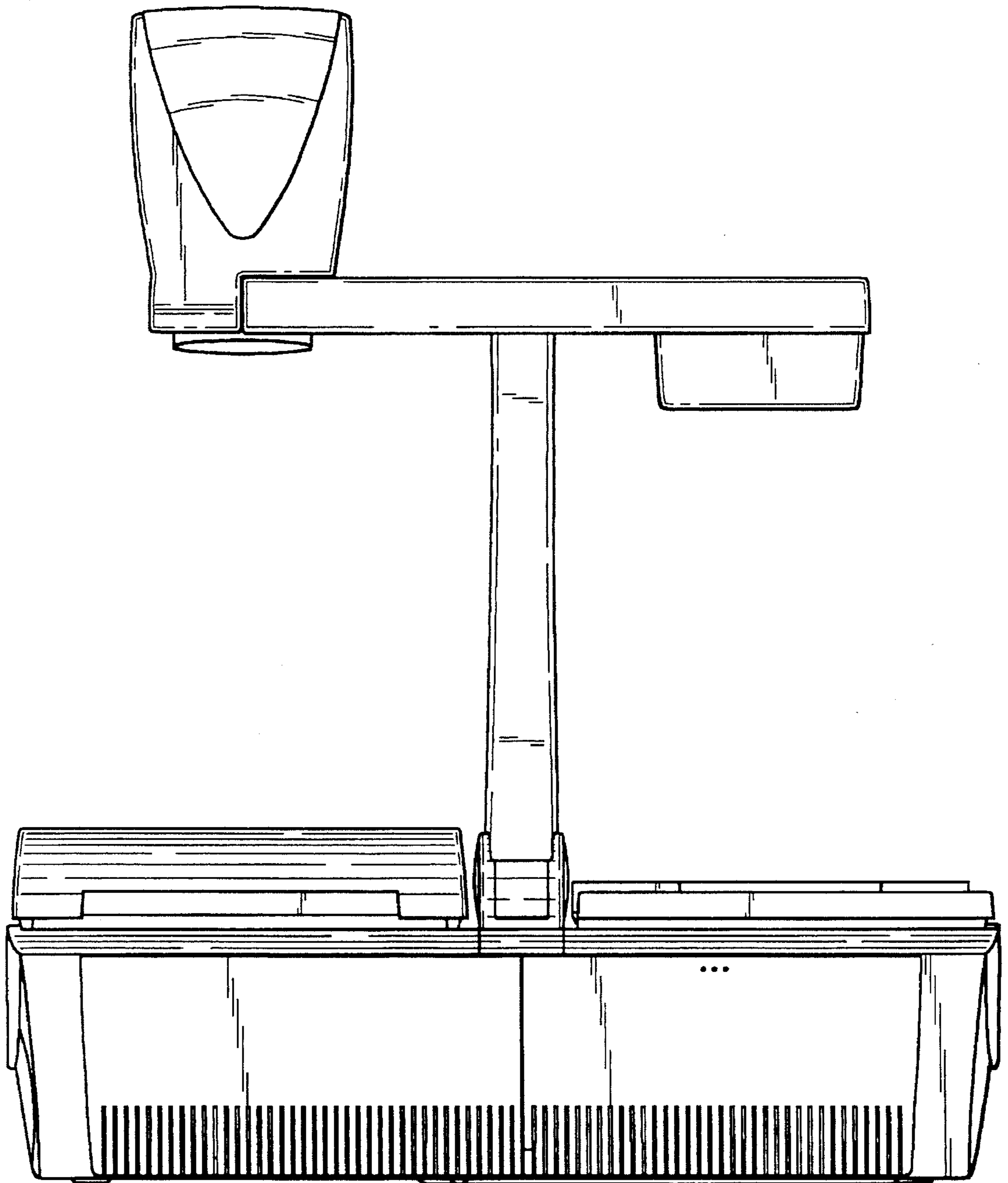


FIG. 7