



US00D367662S

United States Patent [19]

Chan

[11] Patent Number: **Des. 367,662**

[45] Date of Patent: ****Mar. 5, 1996**

[54] **BINOCULARS**

[76] Inventor: **Kwong C. Chan**, Flat A, 7th Floor,
Manning Industrial Building, 118 How
Ming Street, Kwun Tong, Kowloon,
Hong Kong

[**] Term: **14 Years**

[21] Appl. No.: **35,043**

[22] Filed: **Feb. 17, 1995**

[30] Foreign Application Priority Data

Aug. 19, 1994 [GB] United Kingdom 2041166

[52] U.S. Cl. **D16/133; D16/132**

[58] Field of Search D16/130, 132,
D16/133; 33/233, 245; 250/330, 333; 353/DIG. 3;
354/76, 79; 356/142, 545; 359/399, 353,
405, 407, 409, 411, 412, 413, 415, 417,
419, 420, 480, 804, 809, 816; 40/367

[56] References Cited

U.S. PATENT DOCUMENTS

D. 272,362 1/1984 Hengst et al. D16/133

D. 307,154	4/1990	Shishikura	D16/133
399,543	3/1889	Mack	359/409
446,369	2/1891	Whitney	354/76 X
4,067,027	1/1978	Yamazaki	354/79
4,325,602	4/1982	Lange	359/413 X

Primary Examiner—Louis S. Zarfaz
Assistant Examiner—Monica A. Hannon
Attorney, Agent, or Firm—Browning, Bushman, Anderson
& Brookhart

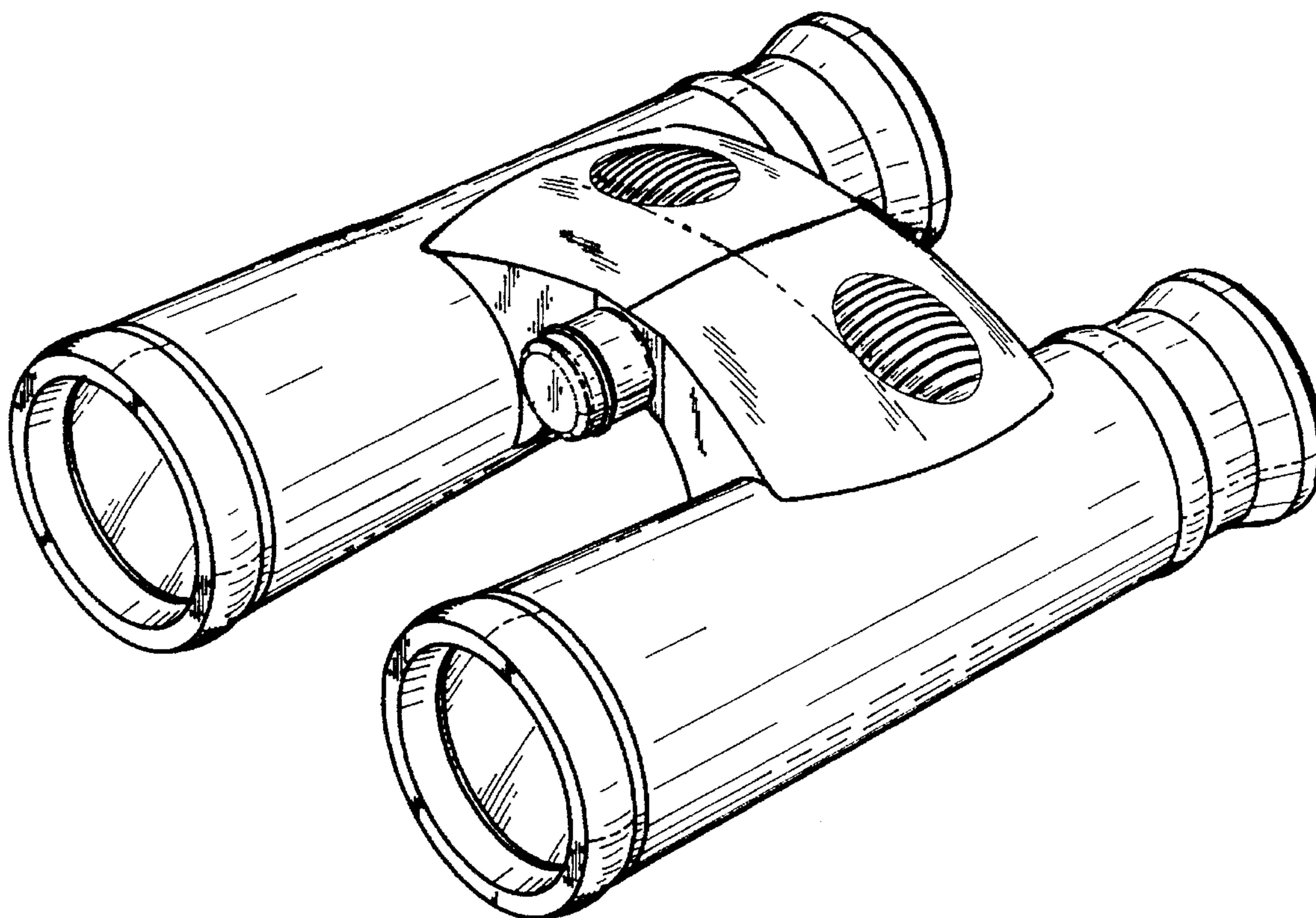
[57] CLAIM

The ornamental design for binoculars, as shown and described.

DESCRIPTION

FIG. 1 is a front-end, top and left-side perspective view of a pair of binoculars showing my new design;
FIG. 2 is a top plan view thereof;
FIG. 3 is a bottom plan view thereof;
FIG. 4 is a front-end elevational view thereof;
FIG. 5 is a rear-end elevational view thereof;
FIG. 6 is a left-side elevational view thereof; and,
FIG. 7 is a right-side elevational view thereof.

1 Claim, 3 Drawing Sheets



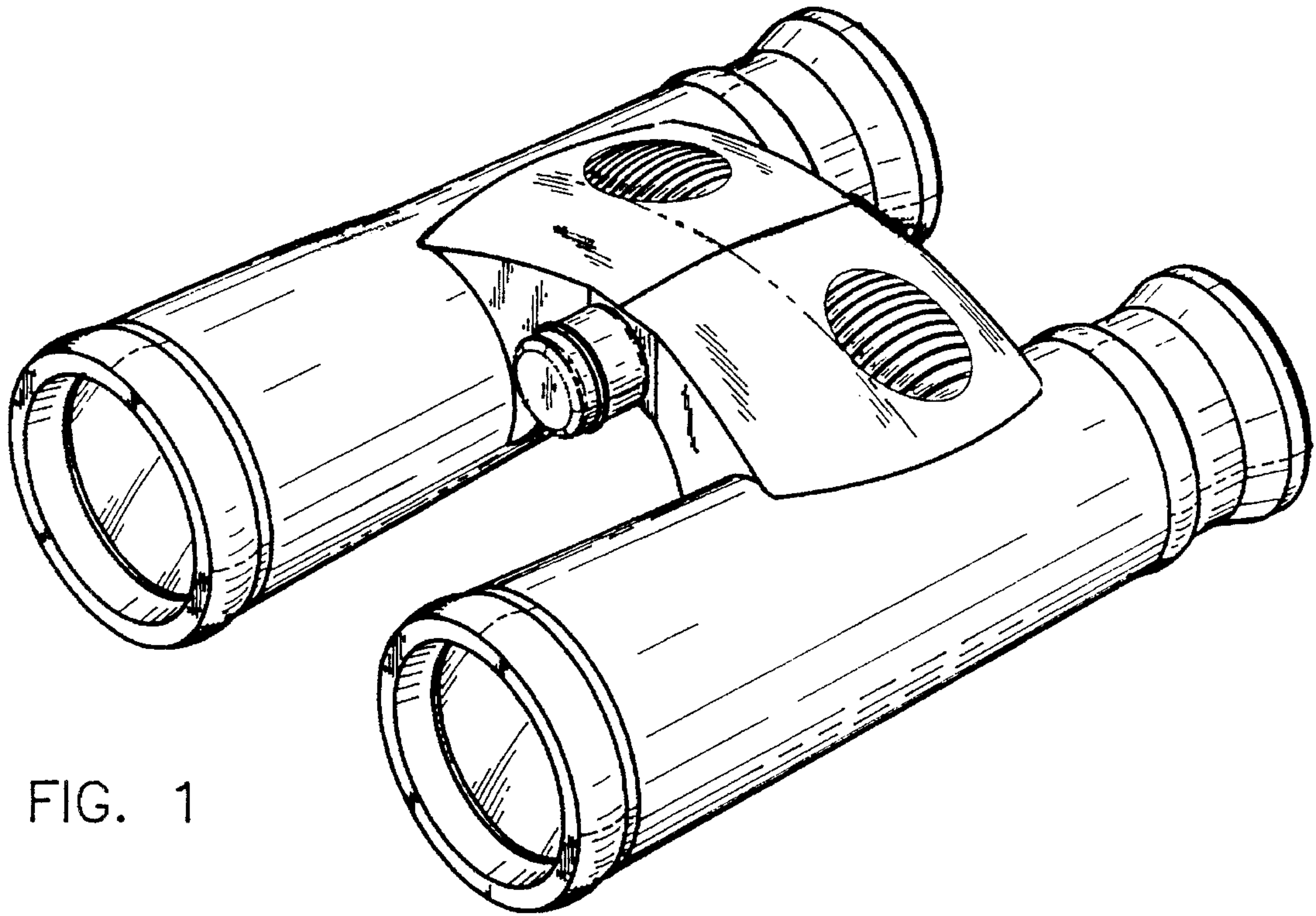


FIG. 1

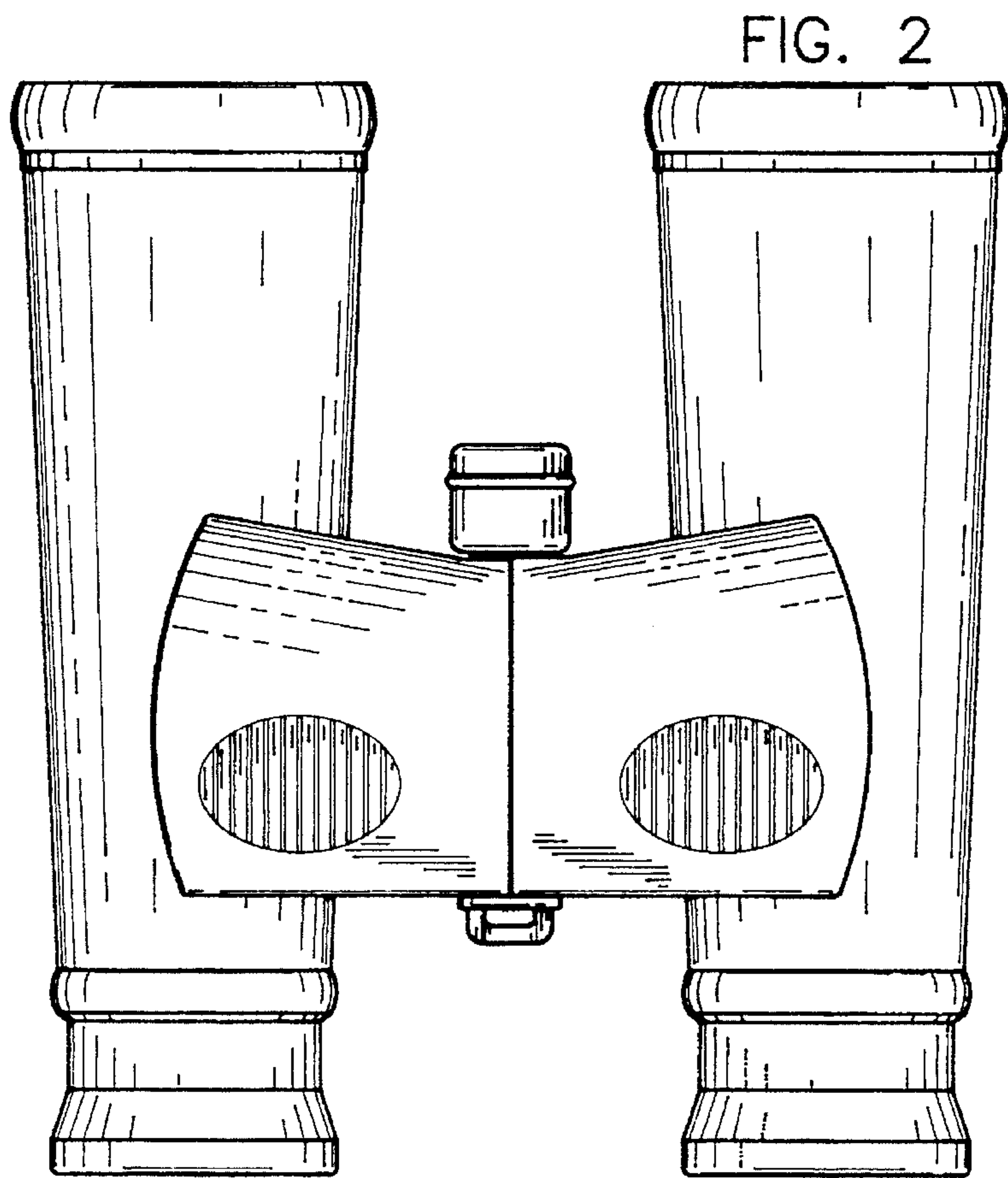


FIG. 2

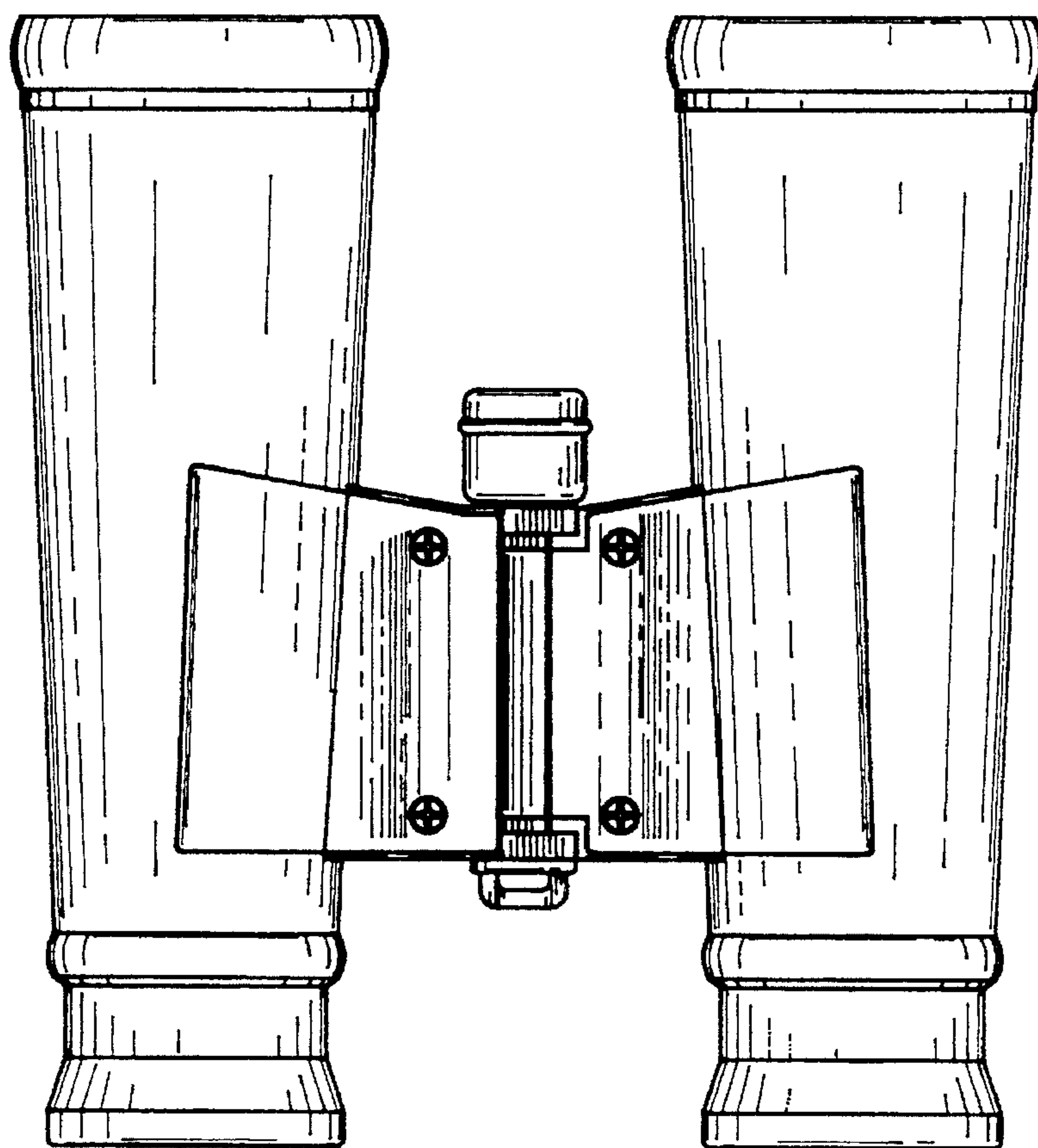


FIG. 3

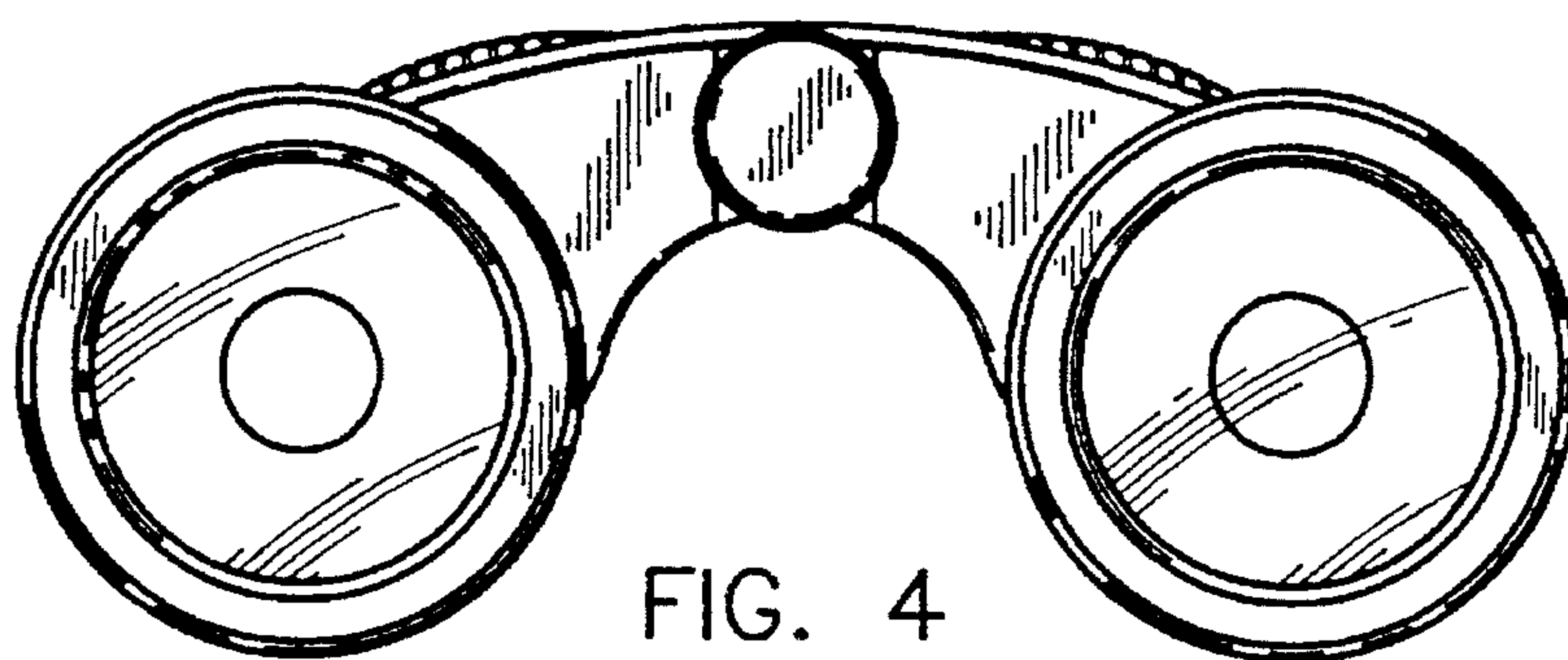


FIG. 4

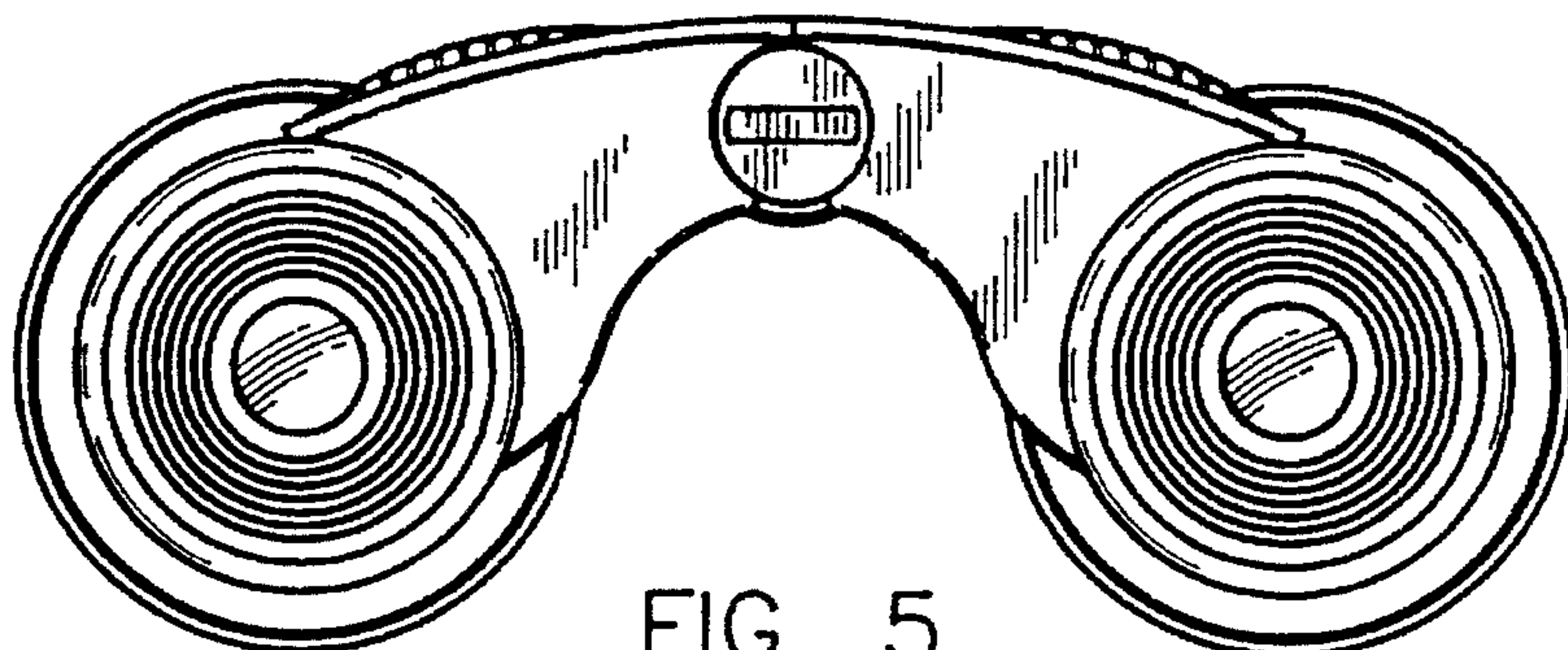


FIG. 5

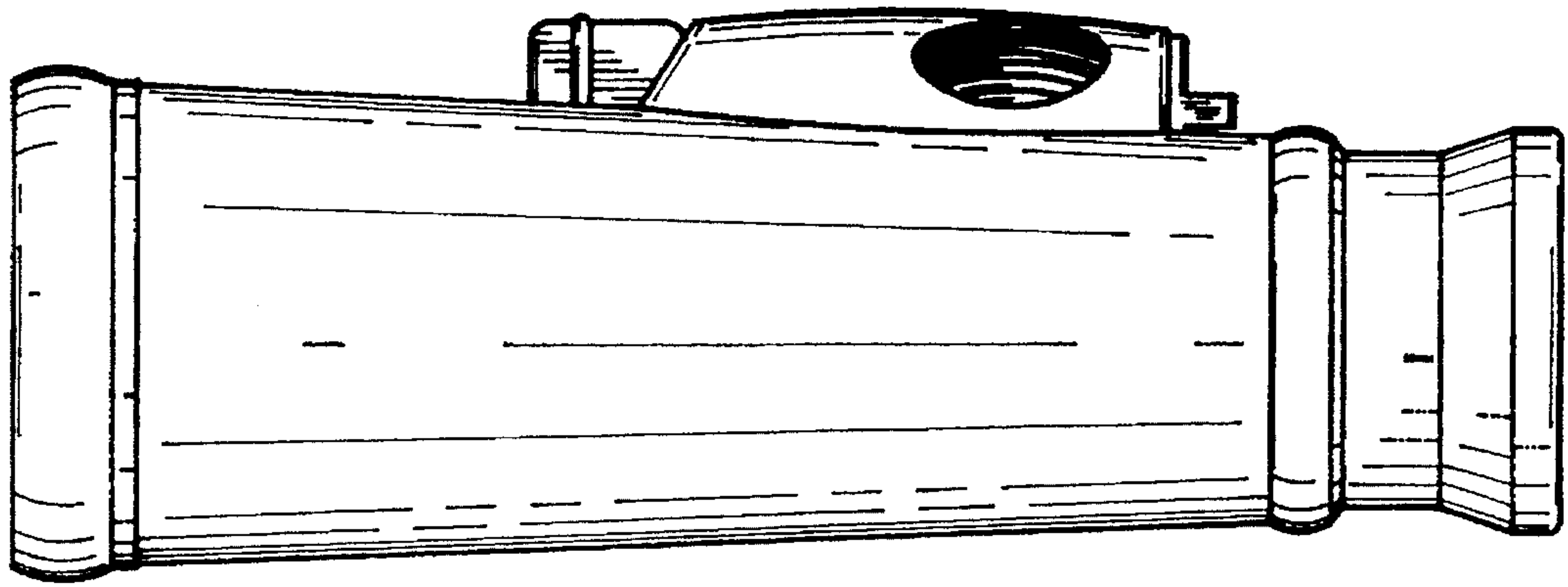


FIG. 6

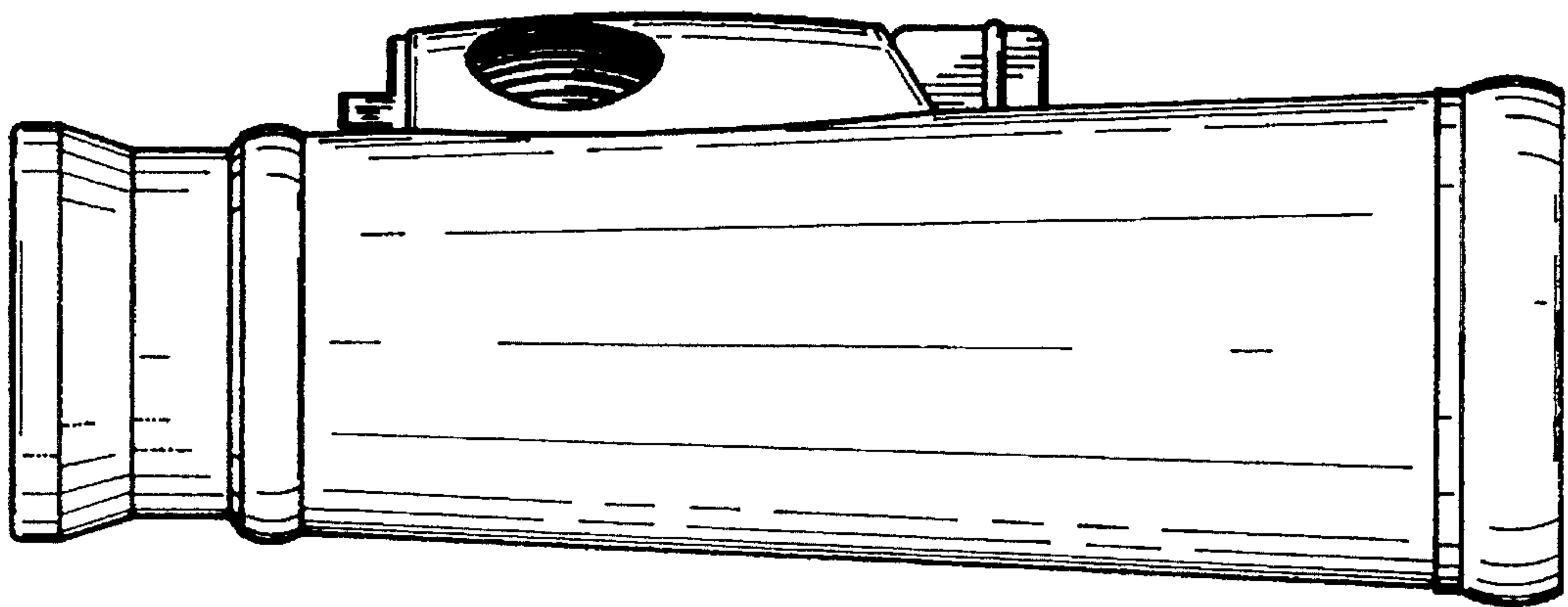


FIG. 7