



US00D367661S

United States Patent [19]
Few

[11] **Patent Number: Des. 367,661**
[45] **Date of Patent: **Mar. 5, 1996**

[54] **HAND HELD TRANSMISSION FLUID CHANGER**

5,402,837 4/1995 Dietzen 184/1.5 X

[75] Inventor: **Jeffrey P. Few**, Elkhart, Ind.

Primary Examiner—Antoine Duval Davis
Attorney, Agent, or Firm—Fulwider Patton Lee & Utecht

[73] Assignee: **Flo-Dynamics, Inc.**, Compton, Calif.

[57] **CLAIM**

[**] Term: **14 Years**

The ornamental design for a hand held transmission fluid changer, as shown and described.

[21] Appl. No.: **36,061**

DESCRIPTION

[22] Filed: **Mar. 13, 1995**

[52] U.S. Cl. **D15/150**

[58] Field of Search D15/149, 151;
D23/200, 223, 499; 141/98; 184/1.5

FIG. 1 is a perspective view of a hand held transmission fluid changer showing my new design;

FIG. 2 is a top view thereof in enlarged scale;

FIG. 3 is a bottom view thereof in enlarged scale;

FIG. 4 is a front view thereof in enlarged scale;

FIG. 5 is a back view thereof in enlarged scale;

FIG. 6 is a right hand end view thereof in enlarged scale; and,

FIG. 7 is a left hand end view thereof in enlarged scale.

[56] **References Cited**

U.S. PATENT DOCUMENTS

- 4,331,185 5/1982 Rinaldo et al. .
- 4,745,989 5/1988 DiMatteo .
- 5,056,621 10/1991 Trevino .
- 5,360,039 11/1994 Verrilli 184/1.5 X

1 Claim, 2 Drawing Sheets

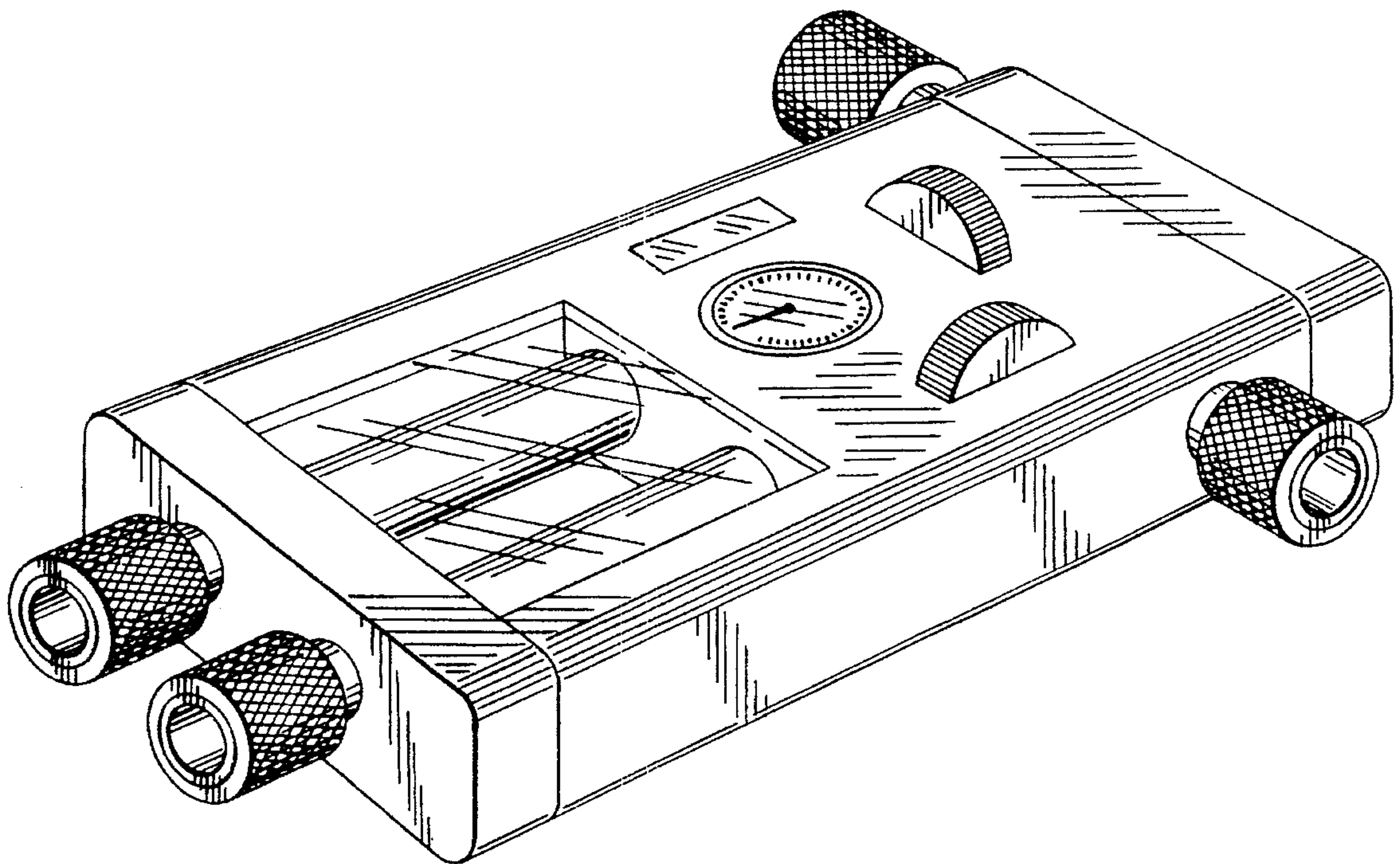


FIG. 1

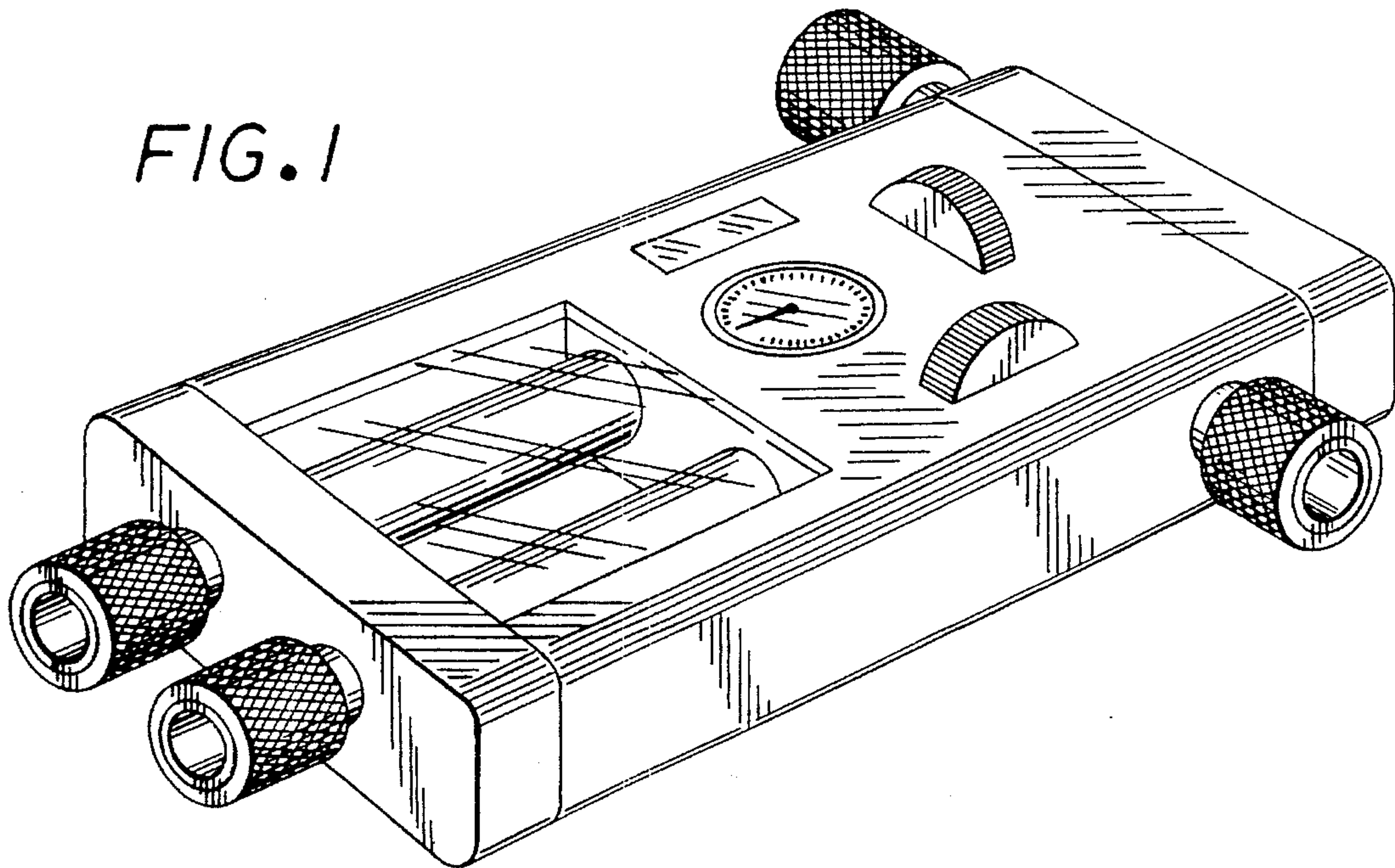


FIG. 2

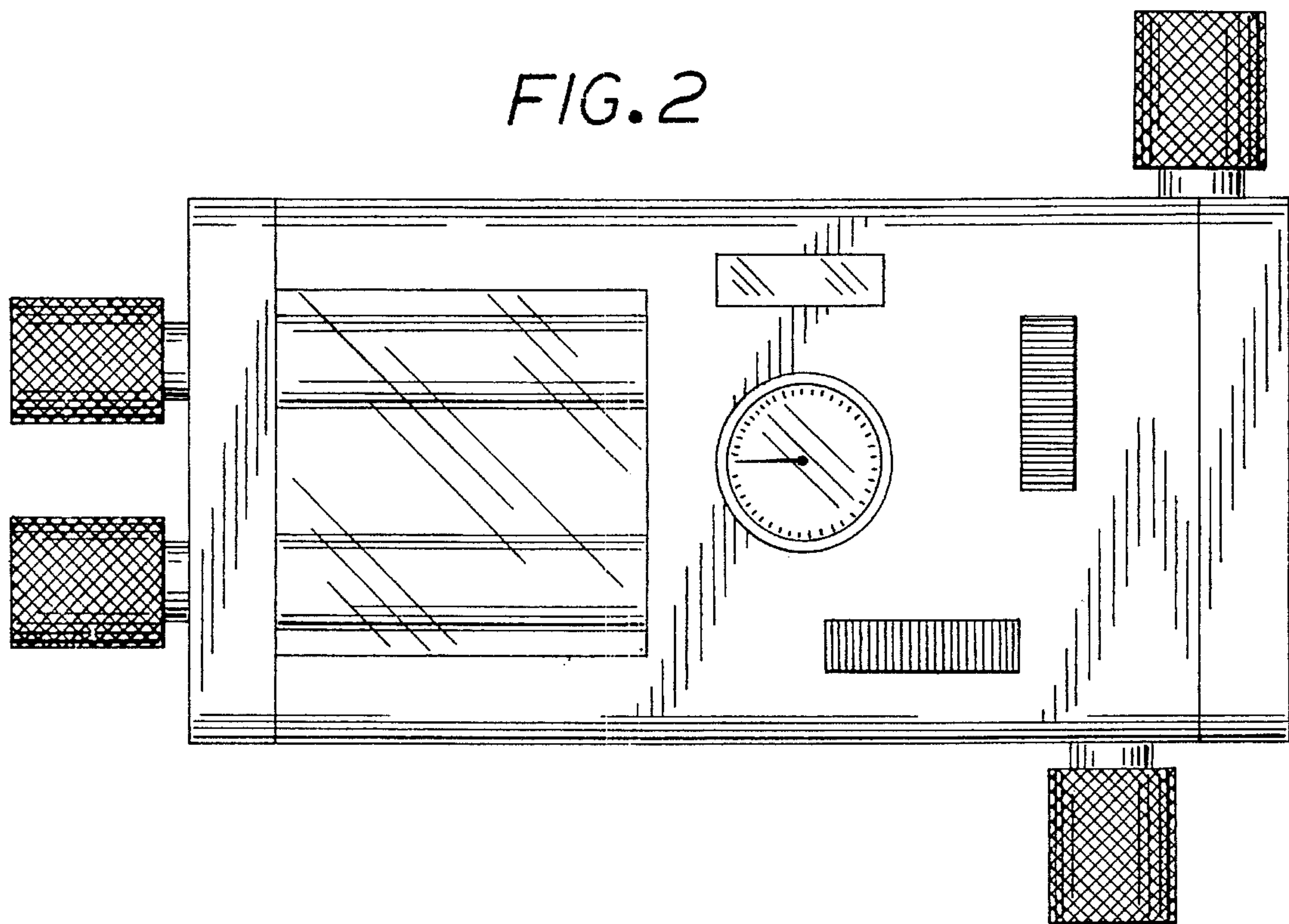


FIG. 3

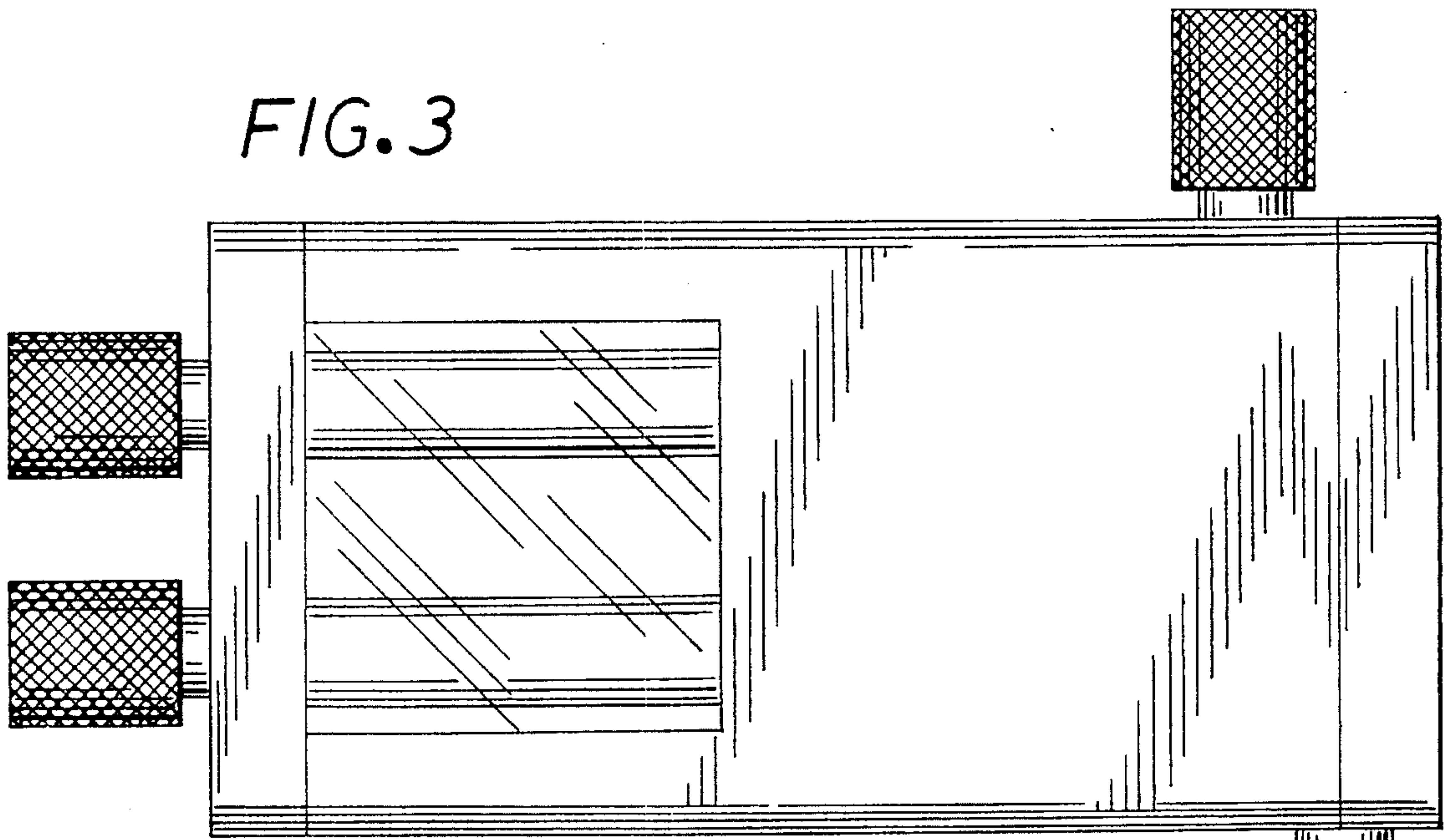


FIG. 4

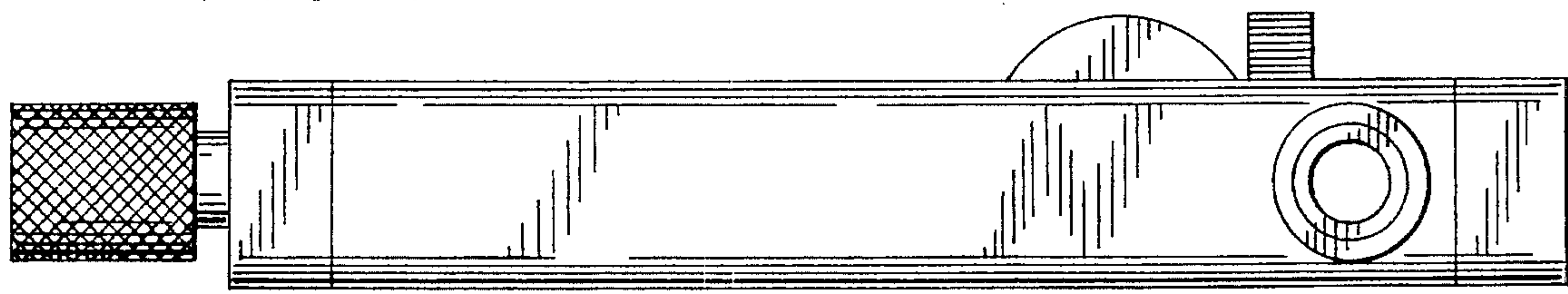


FIG. 5

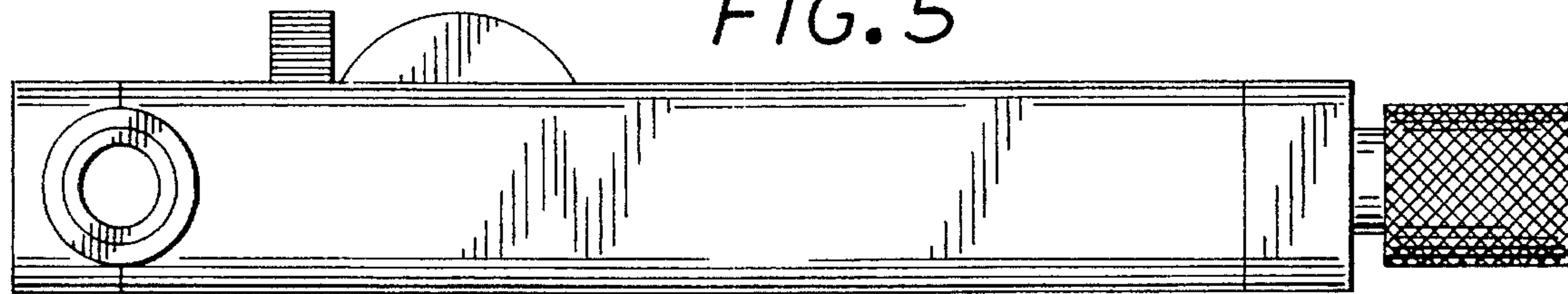


FIG. 6

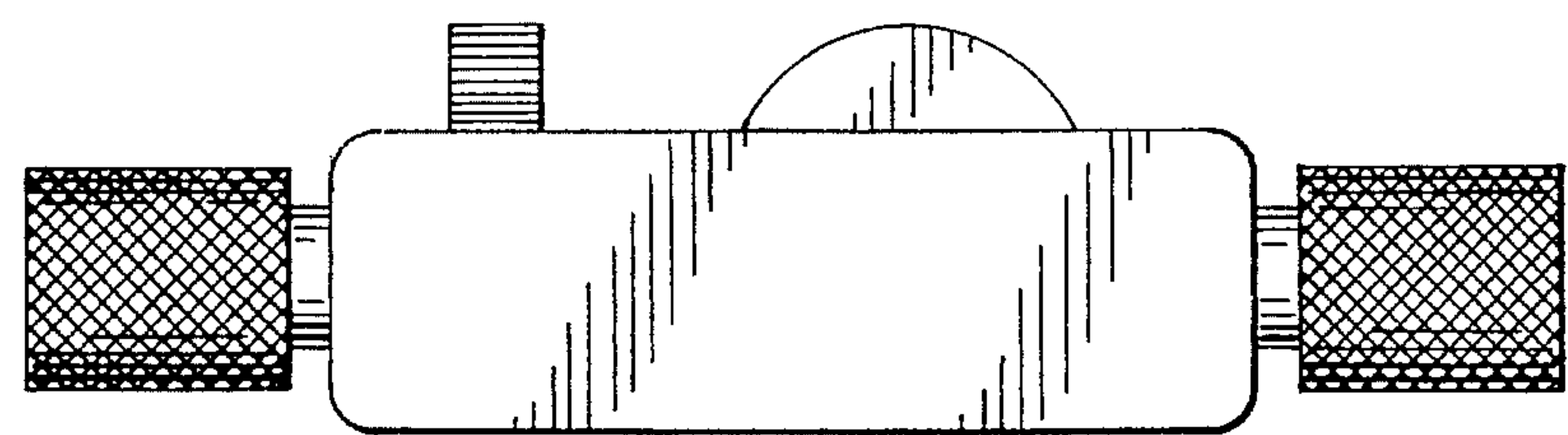


FIG. 7

