



US00D367660S

United States Patent [19]

[11] Patent Number: **Des. 367,660**

Weston

[45] Date of Patent: ****Mar. 5, 1996**

[54] **DISPENSING DEVICE**

[76] Inventor: **Colin K. Weston**, 1204 Dreamcrest Rd., Mississauga, Ontario, Canada, L5V 1N7

[**] Term: **14 Years**

[21] Appl. No.: **36,722**

[22] Filed: **Mar. 27, 1995**

[52] U.S. Cl. **D15/145**; D15/144.1; D23/213

[58] **Field of Search** D8/29.1; D15/144, D15/144.1, 144.2, 145, 146; D23/213; 118/305-307; 222/1, 146.5, 566-574; 239/71-74, 135, 587.1-602, DIG. 14, DIG. 22

[56] **References Cited**

U.S. PATENT DOCUMENTS

D. 354,295 1/1995 Walsh et al. D15/144.2
D. 354,296 1/1995 Walsh D15/144.2

Primary Examiner—Antoine Duval Davis
Attorney, Agent, or Firm—Donald E. Hewson

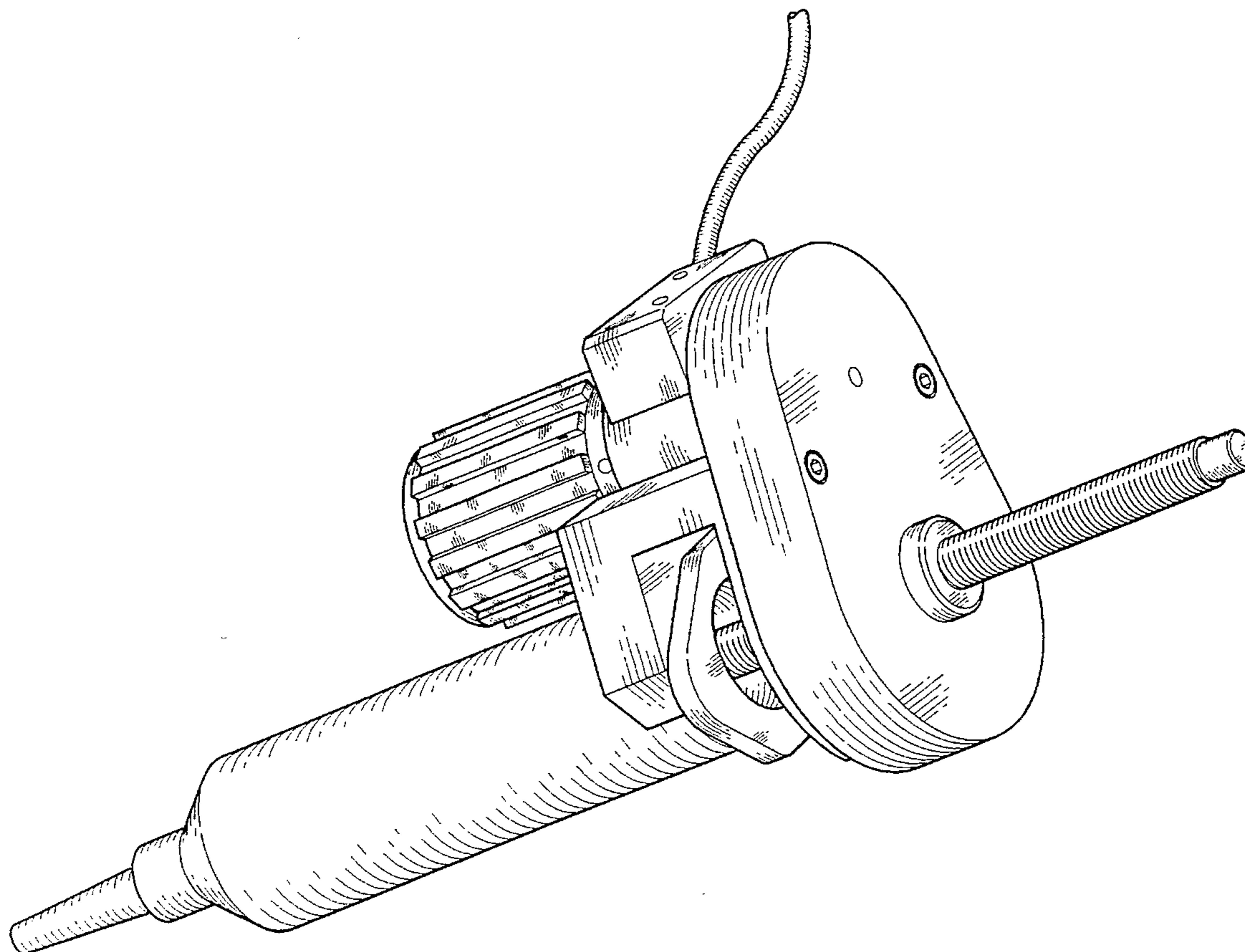
[57] **CLAIM**

The ornamental design for a dispensing device, as shown and described.

DESCRIPTION

FIG. 1 is a perspective view of the preferred embodiment from the left rear;
FIG. 2 is a side elevational view of the preferred embodiment from the left side;
FIG. 3 is a side elevational view of the preferred embodiment from the right side;
FIG. 4 is a top plan view of the preferred embodiment;
FIG. 5 is a bottom view of the preferred embodiment;
FIG. 6 is an end view of the preferred embodiment from the rear; and,
FIG. 7 is an end view of the preferred embodiment from the front.

1 Claim, 4 Drawing Sheets



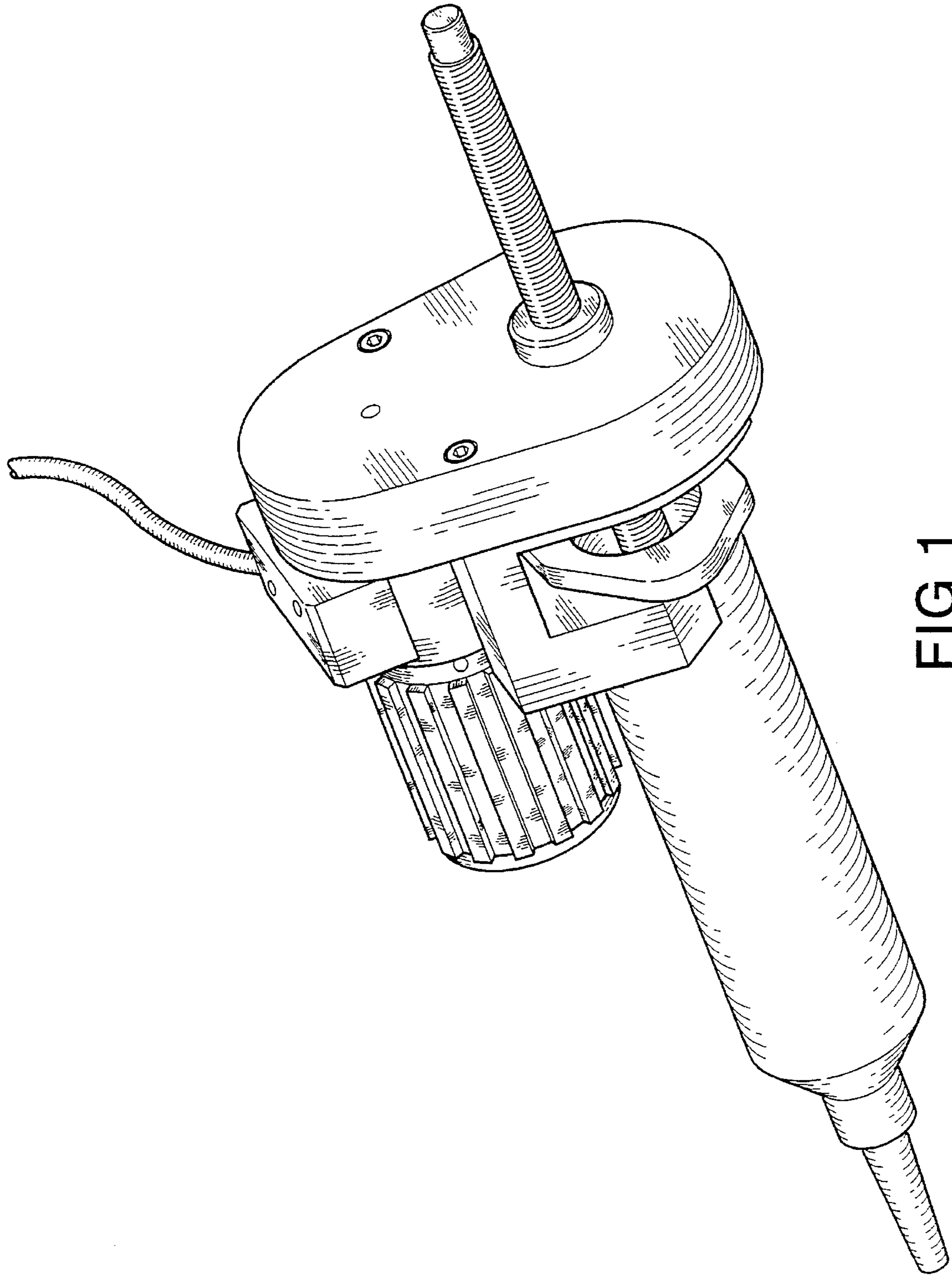
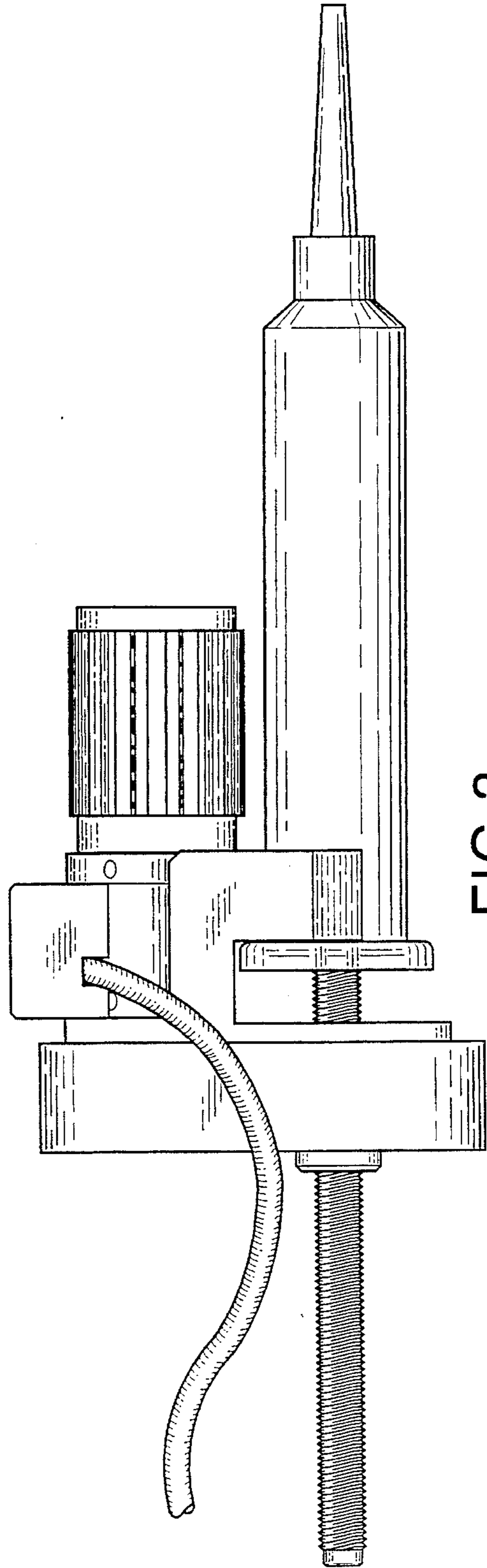
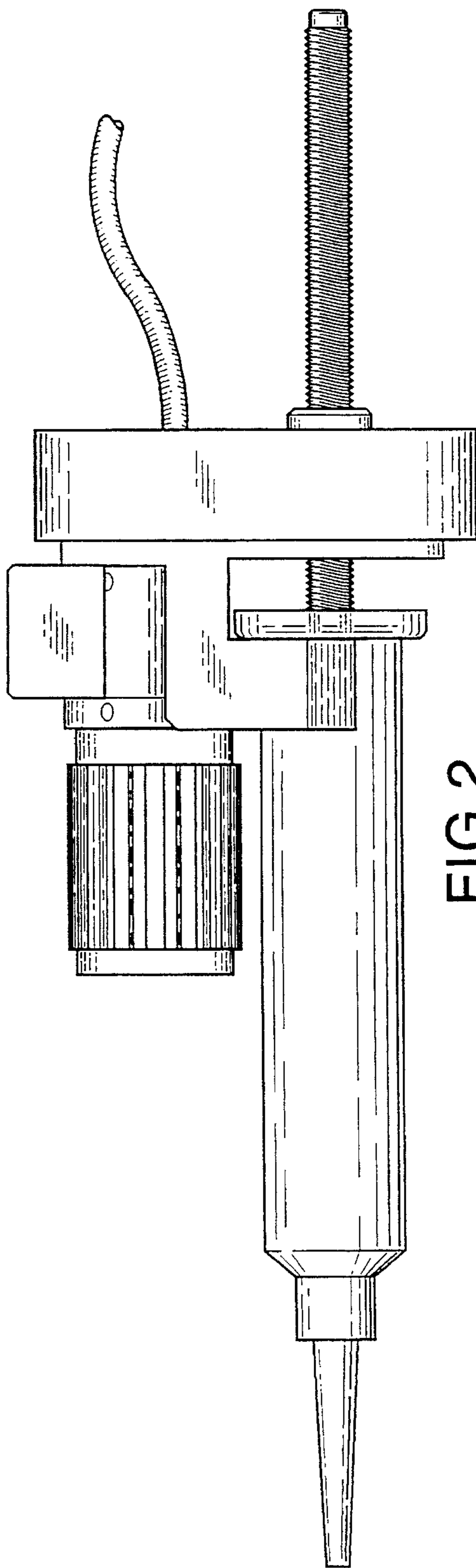


FIG 1



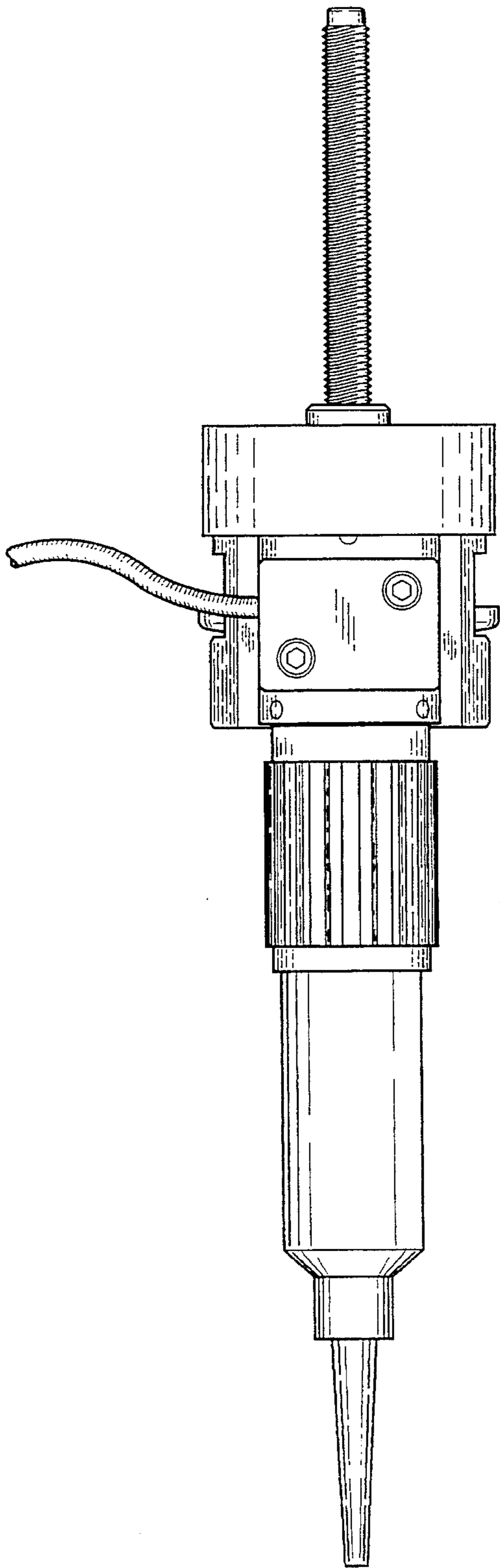


FIG 4

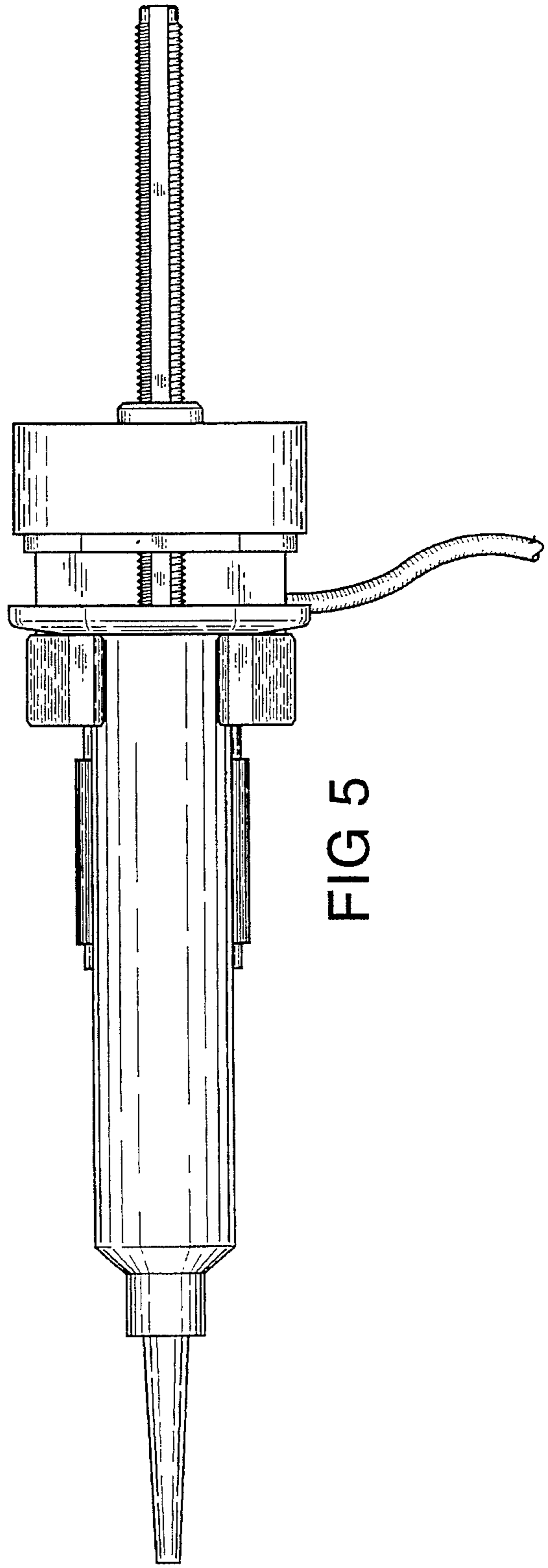


FIG 5

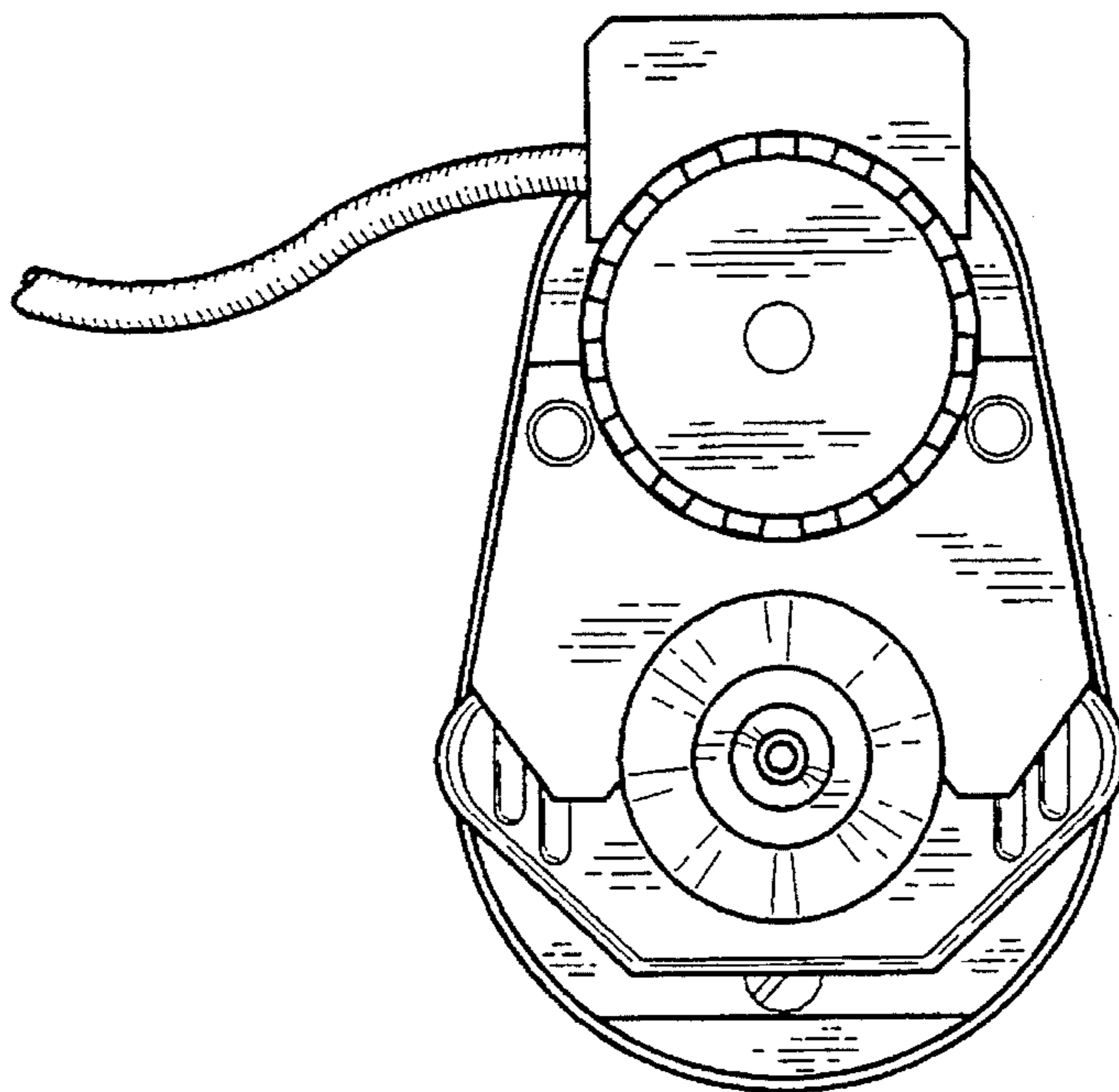


FIG 6

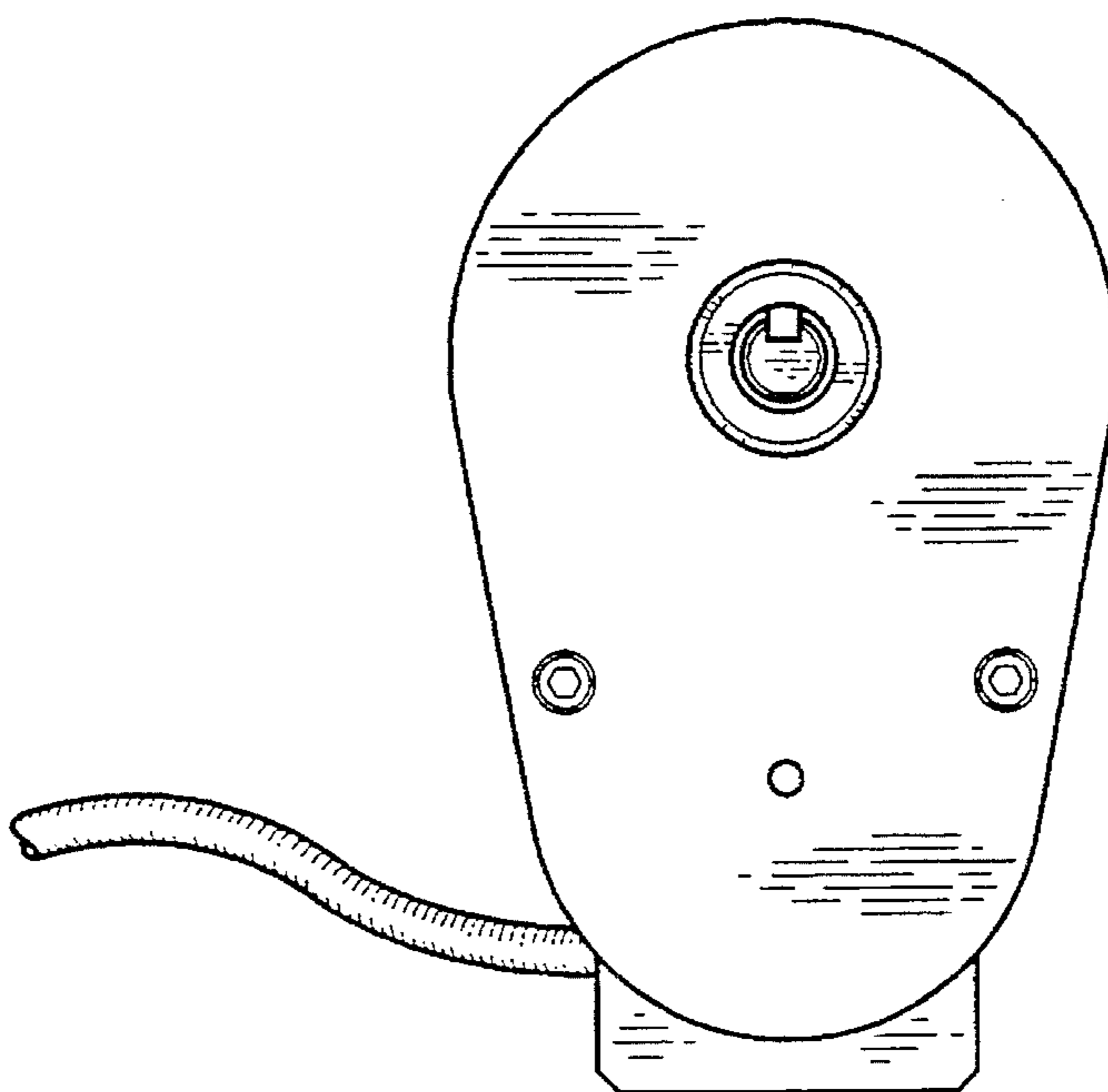


FIG 7