



US00D367658S

United States Patent [19]

Tucker et al.

[11] Patent Number: **Des. 367,658**

[45] Date of Patent: ****Mar. 5, 1996**

[54] **YARN DRUM**

[76] Inventors: **George W. Tucker; Sybil G. Tucker**,
both of 240 Dogwood La., Elberton,
Ga. 30635

[**] Term: **14 Years**

[21] Appl. No.: **180,253**

[22] Filed: **Apr. 11, 1988**

[52] U.S. Cl. **D15/78**

[58] **Field of Search** D15/66, 69, 78;
D3/23; 66/125 A, 125 R, 132 R; 139/224 A,
224 R, 247, 251; 206/389, 407, 409, 515,
519; 222/3, 330, 630; 242/47.01-47.08,
138

[56] **References Cited**

U.S. PATENT DOCUMENTS

2,182,295 12/1939 Lebocey 66/132 R

3,549,299 12/1970 Rosen 66/125 R
3,759,455 9/1973 Clemens 66/132 R
3,912,185 10/1975 Yamada 242/47.03

FOREIGN PATENT DOCUMENTS

0088032 9/1983 European Pat. Off. 242/47.01

Primary Examiner—B. J. Bullock
Assistant Examiner—Sandra Morris

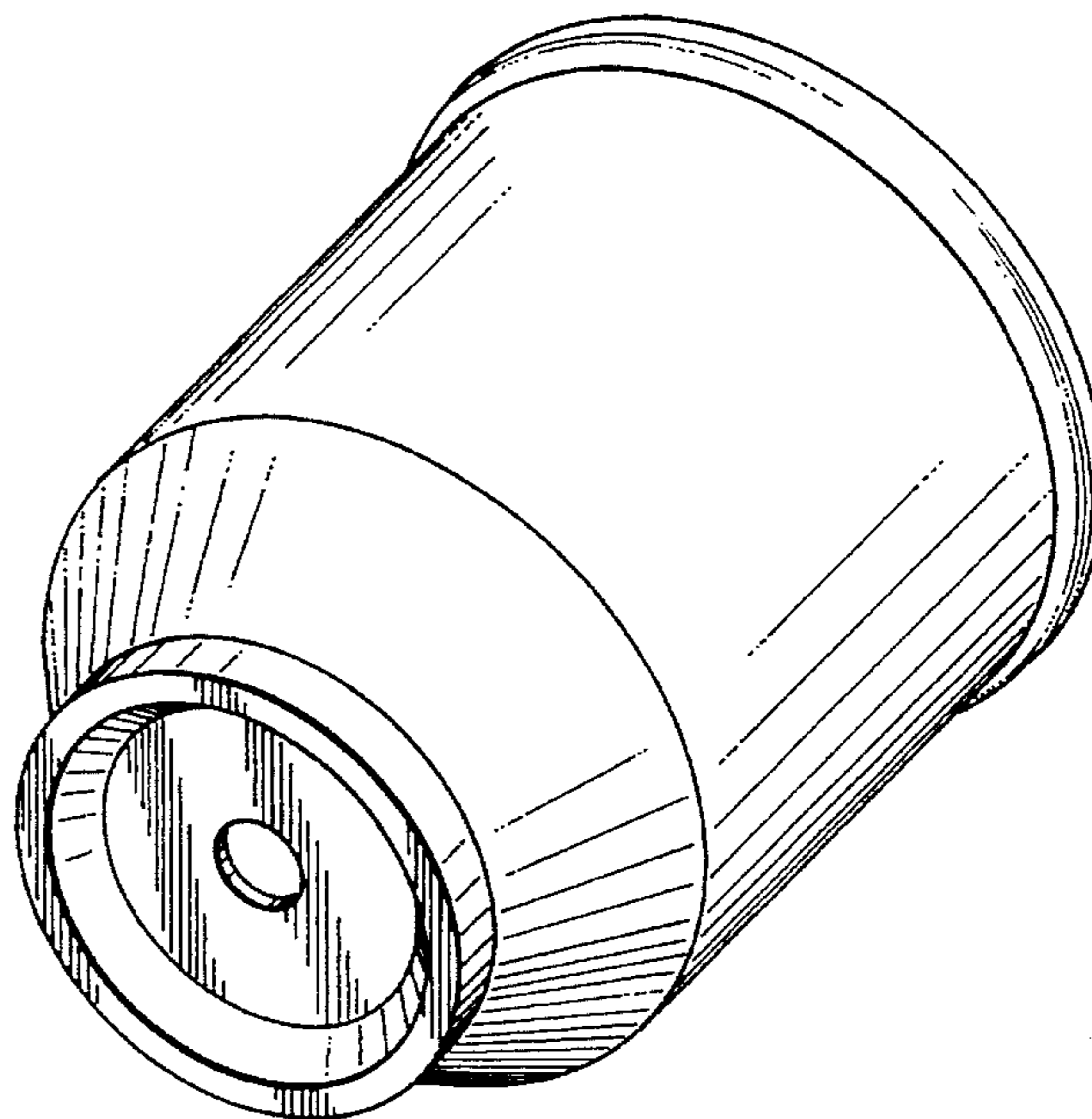
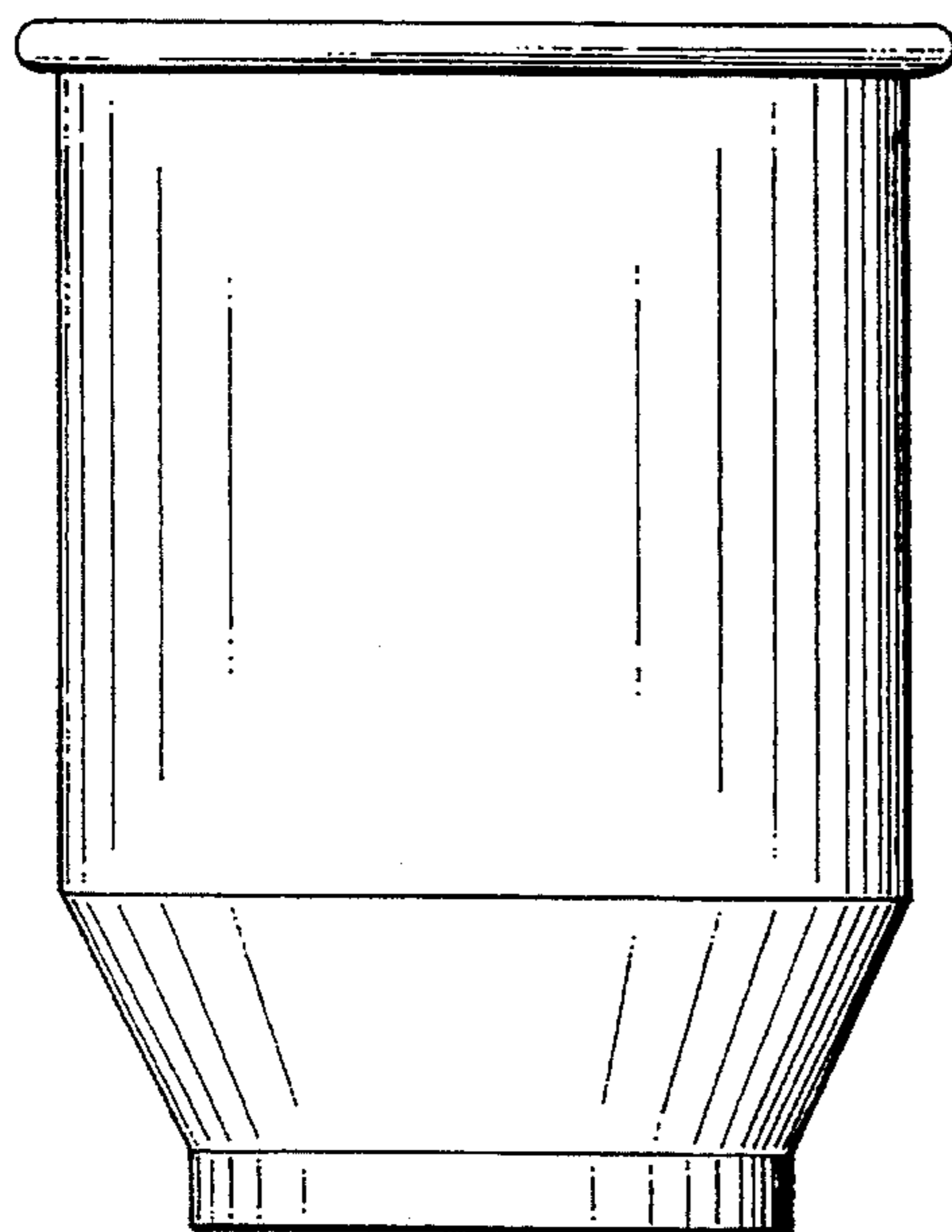
[57] **CLAIM**

The ornamental design for a yarn drum, as shown.

DESCRIPTION

FIG. 1 is a front elevational view of a yarn drum, showing our new design;
FIG. 2 is a top plan view thereof;
FIG. 3 is a bottom perspective view thereof; and,
FIG. 4 is a bottom plan view thereof.

1 Claim, 1 Drawing Sheet



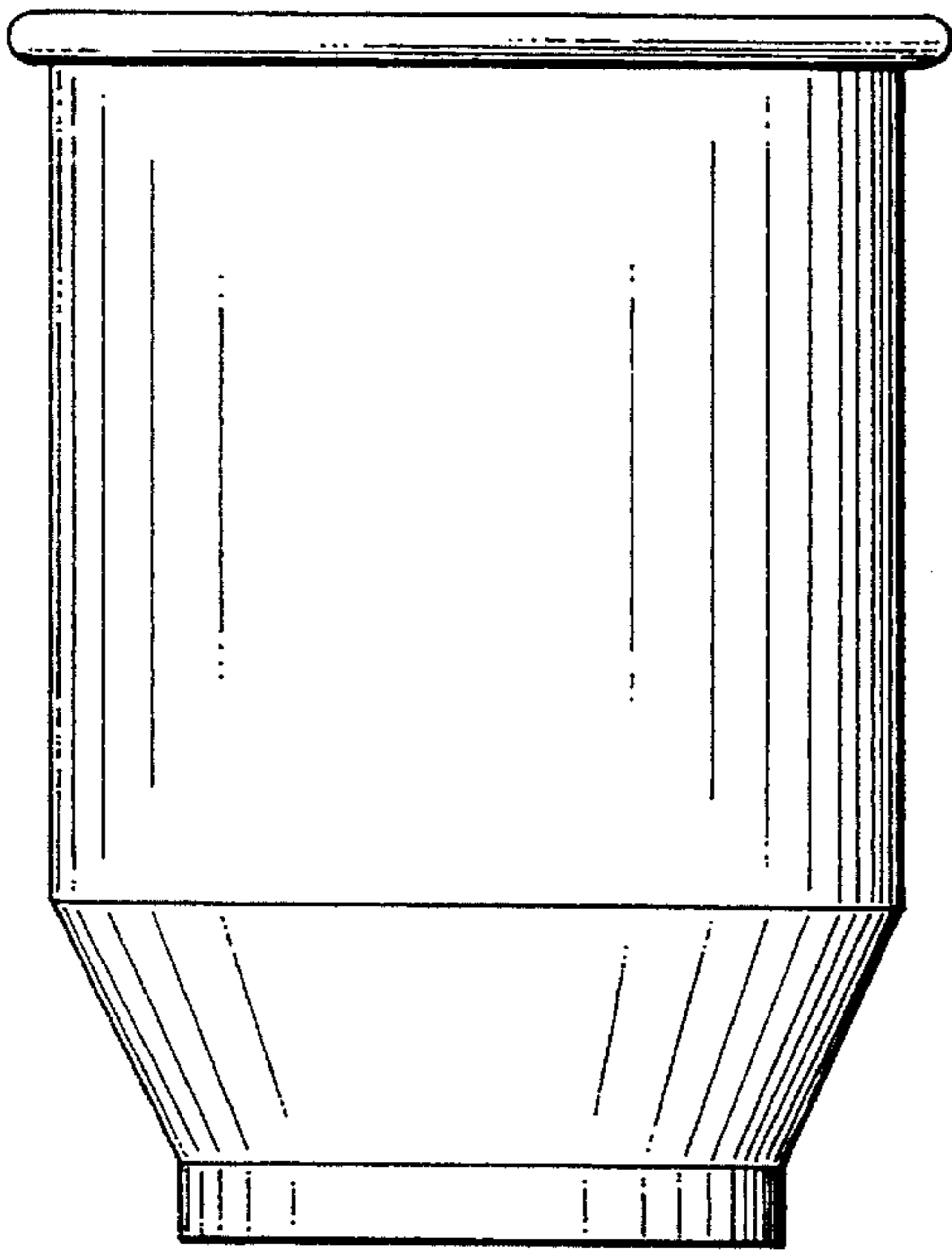


Fig. 1

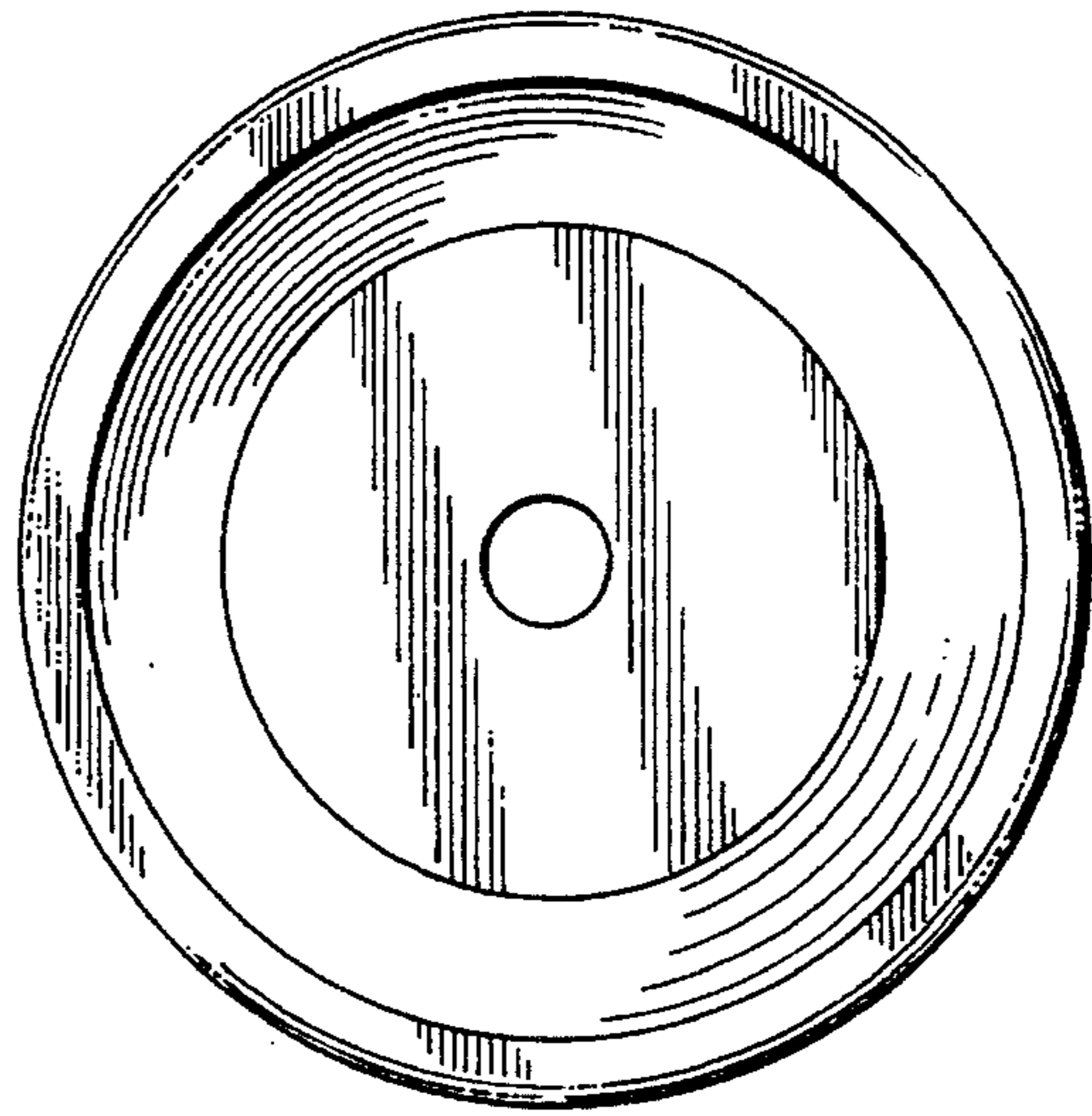


Fig. 2

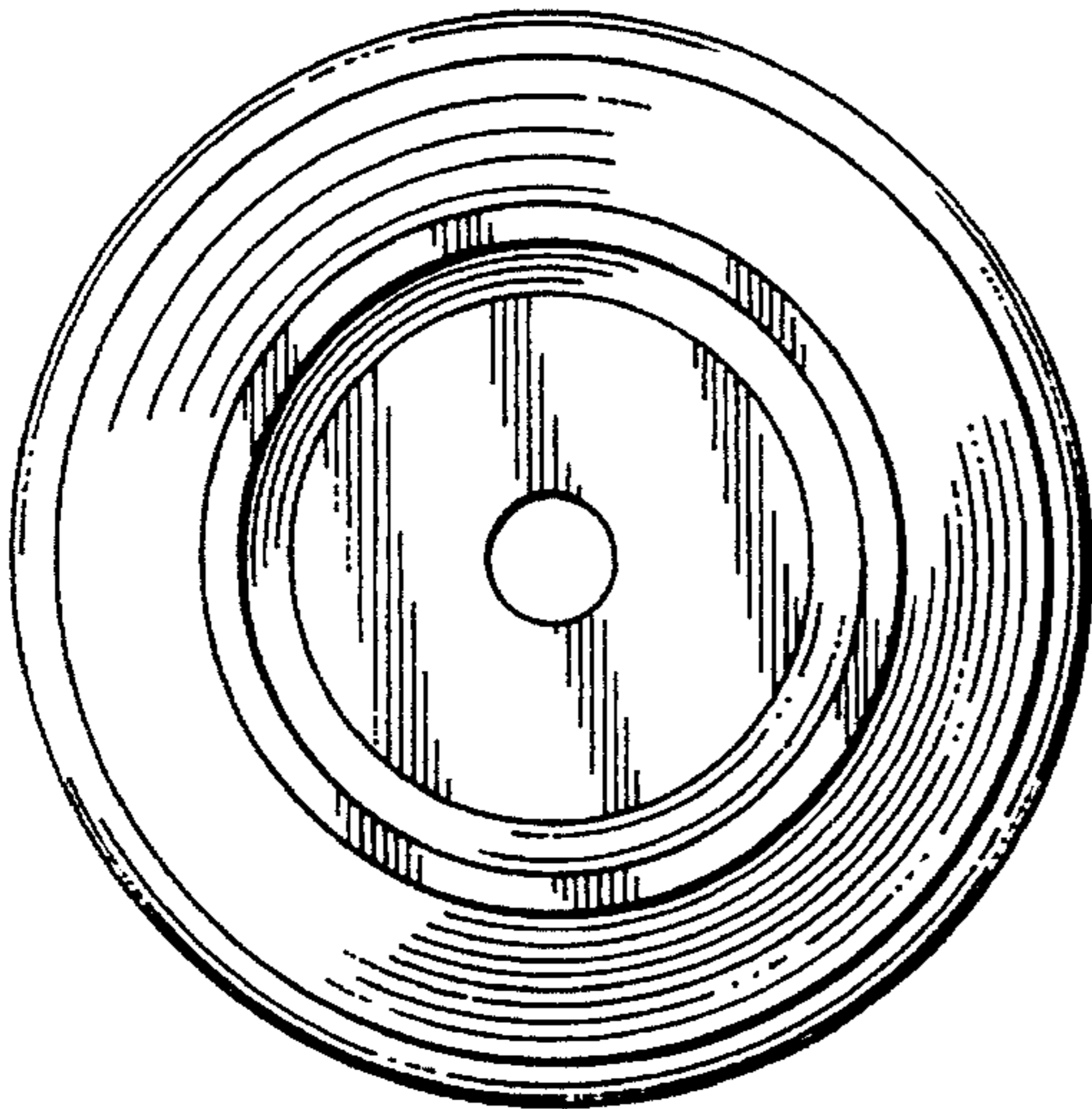


Fig. 4

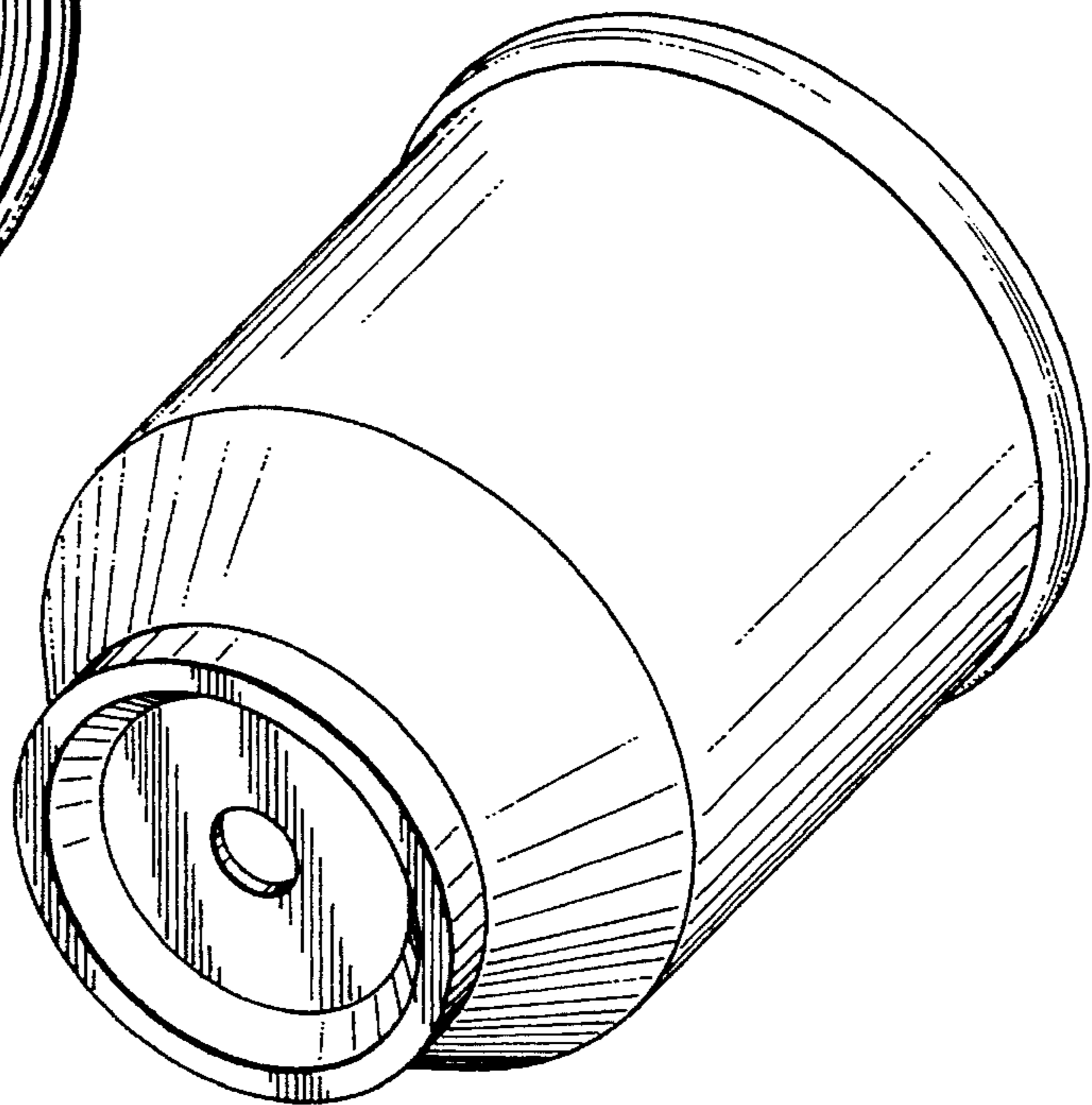


Fig. 3