



US00D367656S

United States Patent [19]

Cacciacarro et al.

[11] Patent Number: **Des. 367,656**

[45] Date of Patent: ****Mar. 5, 1996**

[54] **AUTOMOTIVE RESONATOR**

5,123,501 6/1992 Rothman et al. 181/264 X

[75] Inventors: **Danny Cacciacarro**, Mississauga;
Changize Sadr, North York, both of
Canada

Primary Examiner—Antoine Duval avis
Attorney, Agent, or Firm—George A. Seaby

[73] Assignee: **ABC Group**, Rexdale, Canada

[57] **CLAIM**

[**] Term: **14 Years**

The ornamental design for a auto motive resonator, as shown
and described.

[21] Appl. No.: **37,467**

DESCRIPTION

[22] Filed: **Apr. 13, 1995**

FIG. 1 is a perspective view from above and one end of the
automotive resonator showing our new design;

[30] **Foreign Application Priority Data**

Feb. 9, 1995 [CA] Canada 1995-0294

FIG. 2 is a perspective view from below and the other end
thereof;

[52] U.S. Cl. **D15/5**

FIG. 3 is a side elevational view of one side thereof;

[58] Field of Search D15/5; 181/264,
181/268, 269, 282, 283

FIG. 4 is a side elevational view of the other side thereof;
and,

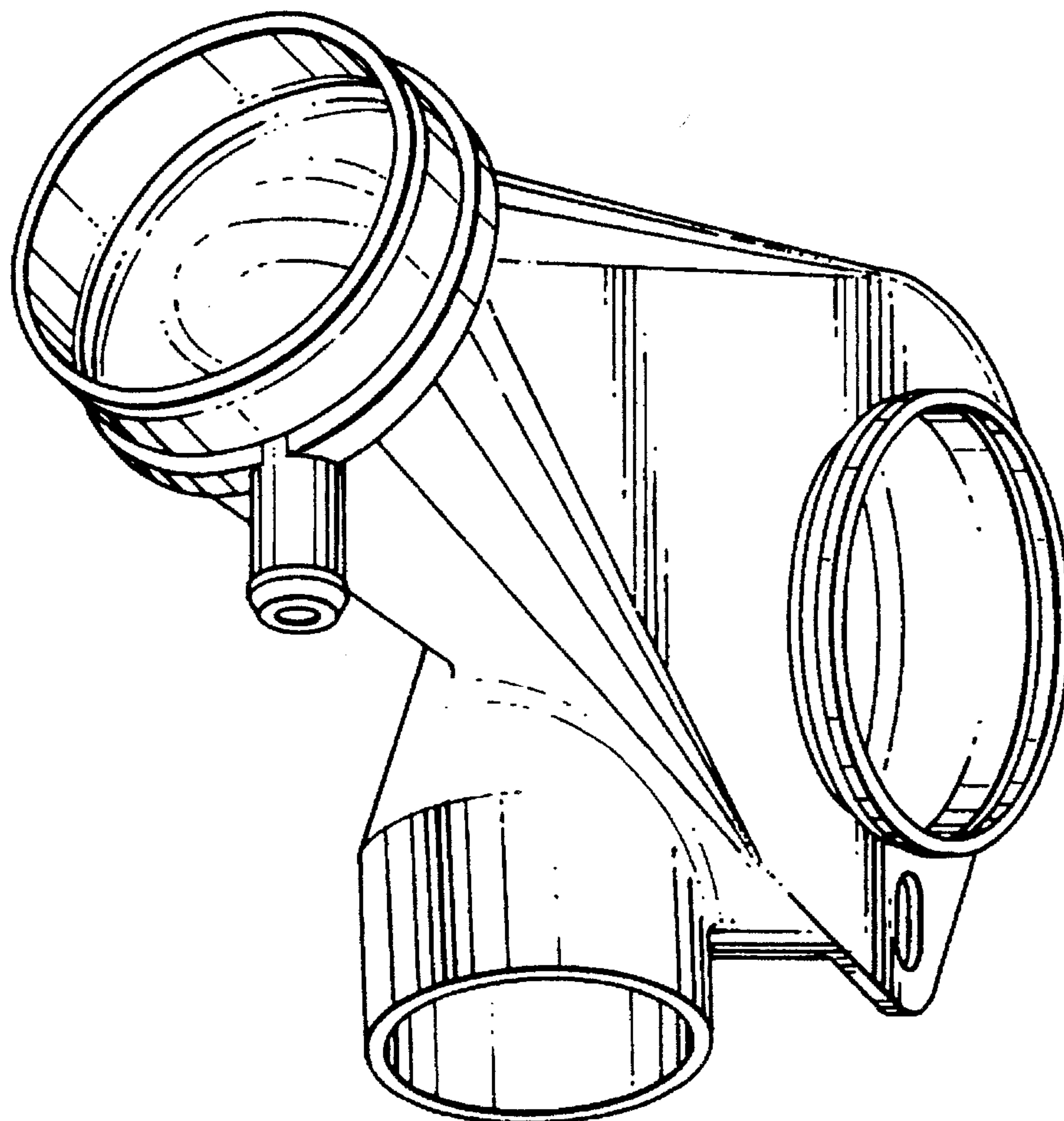
[56] **References Cited**

FIG. 5 is an end elevational view thereof.

U.S. PATENT DOCUMENTS

D. 344,273 2/1994 Benson D15/5

1 Claim, 2 Drawing Sheets



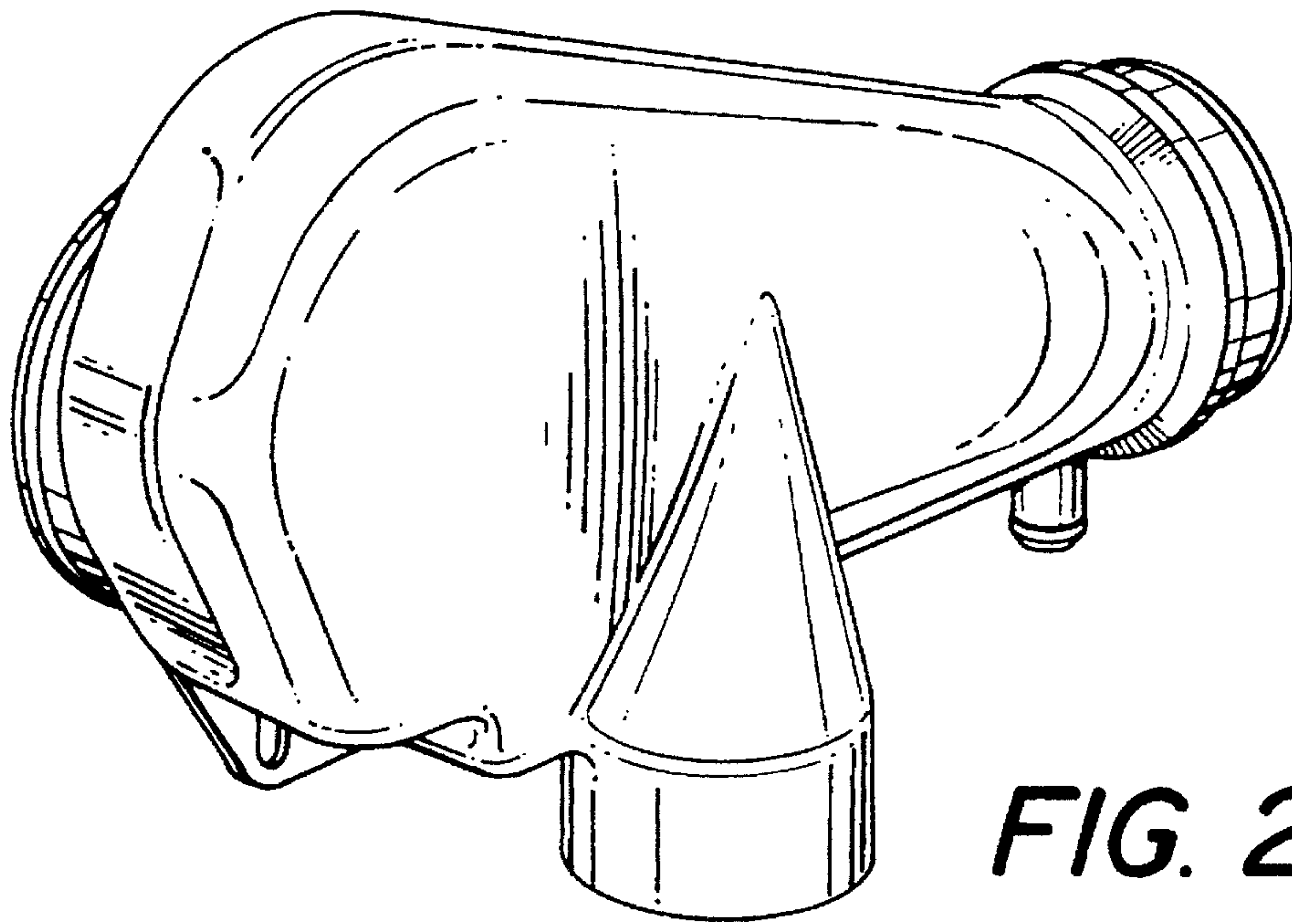


FIG. 2

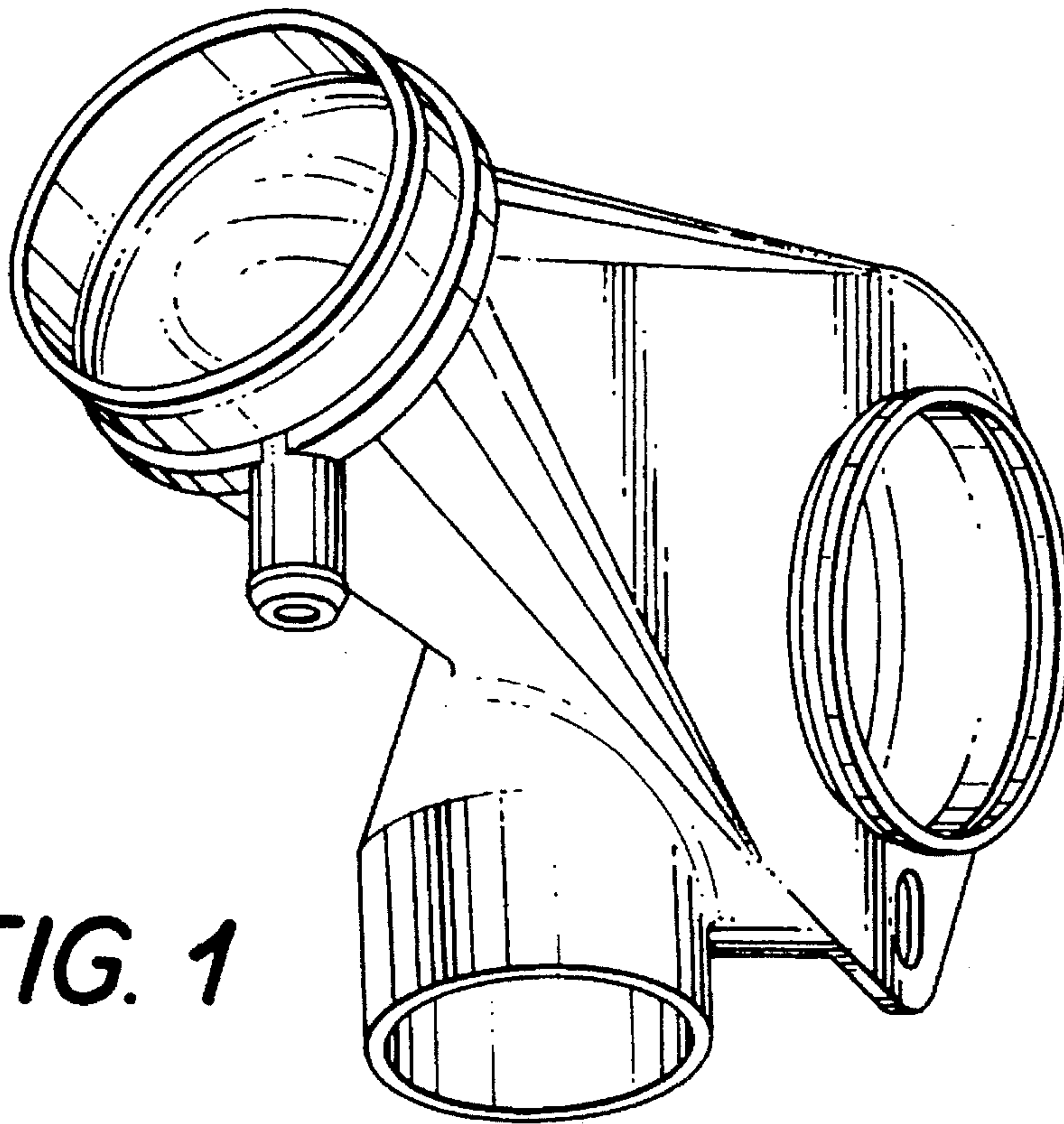


FIG. 1

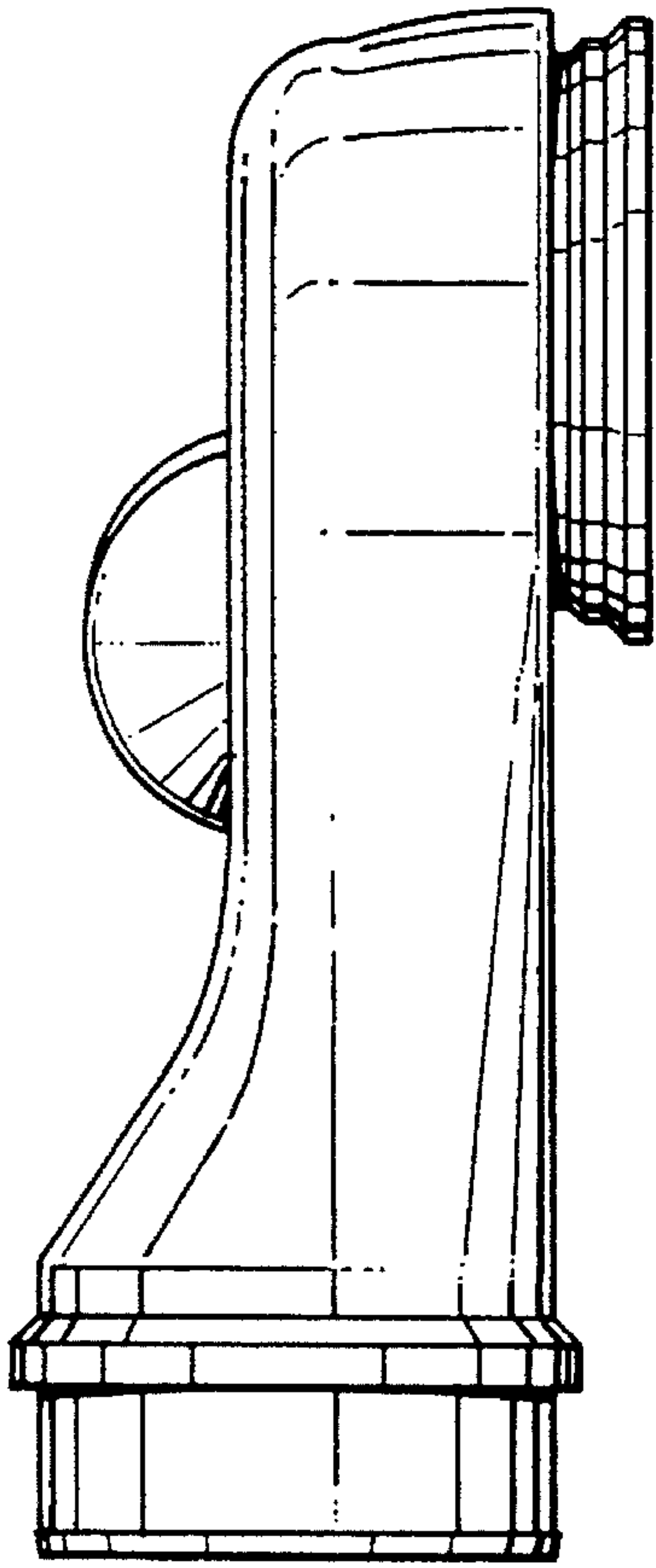


FIG. 4

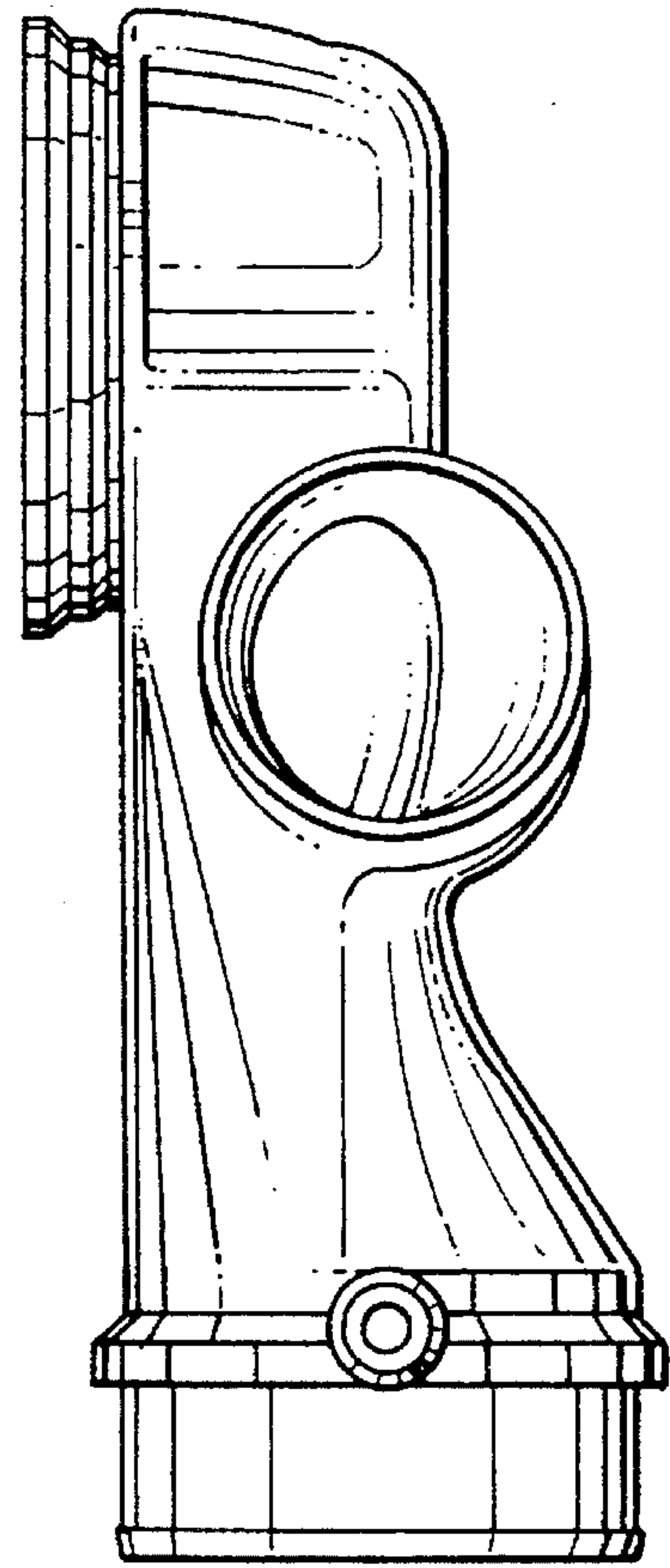


FIG. 3

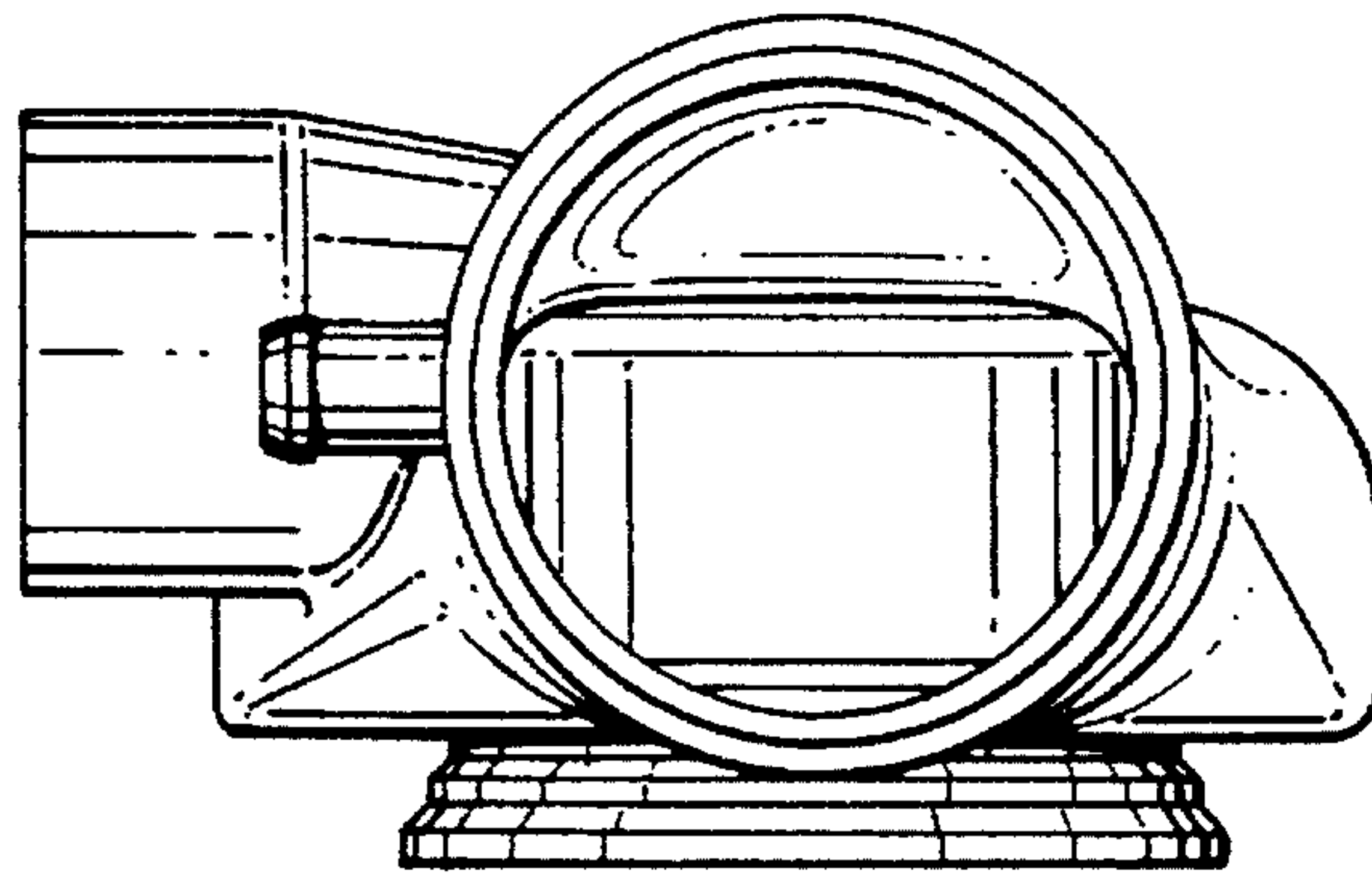


FIG. 5