



US00D367651S

# United States Patent [19]

[11] Patent Number: **Des. 367,651**

Hellier et al.

[45] Date of Patent: **\*\*\* Mar. 5, 1996**

[54] **STAND FOR A PORTBLE TELEPHONE**

[75] Inventors: **Robert Hellier; Tomek Rudkiewicz,**  
both of Turku, Finland

[73] Assignee: **Nokia Mobile Phones Ltd.,** Salo,  
Finland

[\*] Notice: The portion of the term of this patent  
subsequent to May 30, 2009, has been  
disclaimed.

[\*\*] Term: **14 Years**

[21] Appl. No.: **26,275**

[22] Filed: **Jul. 25, 1994**

[30] **Foreign Application Priority Data**

Feb. 23, 1994 [GB] United Kingdom ..... 2037289

[52] U.S. Cl. .... **D14/149; D13/108**

[58] Field of Search ..... D14/137, 138,  
D14/251, 253, 240, 140, 114, 100, 149-151,  
107, 142; D13/107, 108; 379/58-61, 441,  
440, 454, 455, 419, 420, 428; 455/39, 90

[56] **References Cited**

**U.S. PATENT DOCUMENTS**

D. 275,103	8/1984	Landry	.....	D14/114
D. 275,951	10/1984	Taylor	.....	D14/151
D. 277,662	2/1985	Huntington et al.	.....	D13/107
D. 316,416	4/1991	Cant et al.	.....	D14/252
D. 319,052	8/1991	Major	.....	D14/138

D. 319,061	8/1991	Powell et al.	.....	D14/240
D. 321,885	11/1991	Sheldrake	.....	D14/253
D. 335,667	5/1993	Kawakami et al.	.....	D14/142
D. 348,667	7/1994	Oksman et al.	.....	D14/148
D. 348,668	7/1994	Taylor	.....	D14/149
D. 349,485	8/1994	Richards et al.	.....	D13/107
D. 349,899	8/1994	Siddoway et al.	.....	D13/108 X
D. 350,540	9/1994	Hyvönen	.....	D14/253 X
D. 351,164	10/1994	Siddoway et al.	.....	D14/149
D. 352,032	11/1994	Cowan	.....	D14/151
5,203,021	4/1993	Replinger et al.	.....	455/90
5,301,224	4/1994	Major	.....	379/58

**OTHER PUBLICATIONS**

Skil Charger Stands, Charger at bottom.

*Primary Examiner*—Jeffrey Asch  
*Attorney, Agent, or Firm*—Perman & Green

[57] **CLAIM**

The ornamental design for a stand for a portable telephone,  
as shown and described.

**DESCRIPTION**

FIG. 1 is a front perspective view from above and one side  
of a stand for a portable telephone showing our new design;  
FIG. 2 is an other side view;  
FIG. 3 is a rear view;  
FIG. 4 is a front view;  
FIG. 5 is a top plan view; and,  
FIG. 6 is a bottom plan view.

**1 Claim, 5 Drawing Sheets**

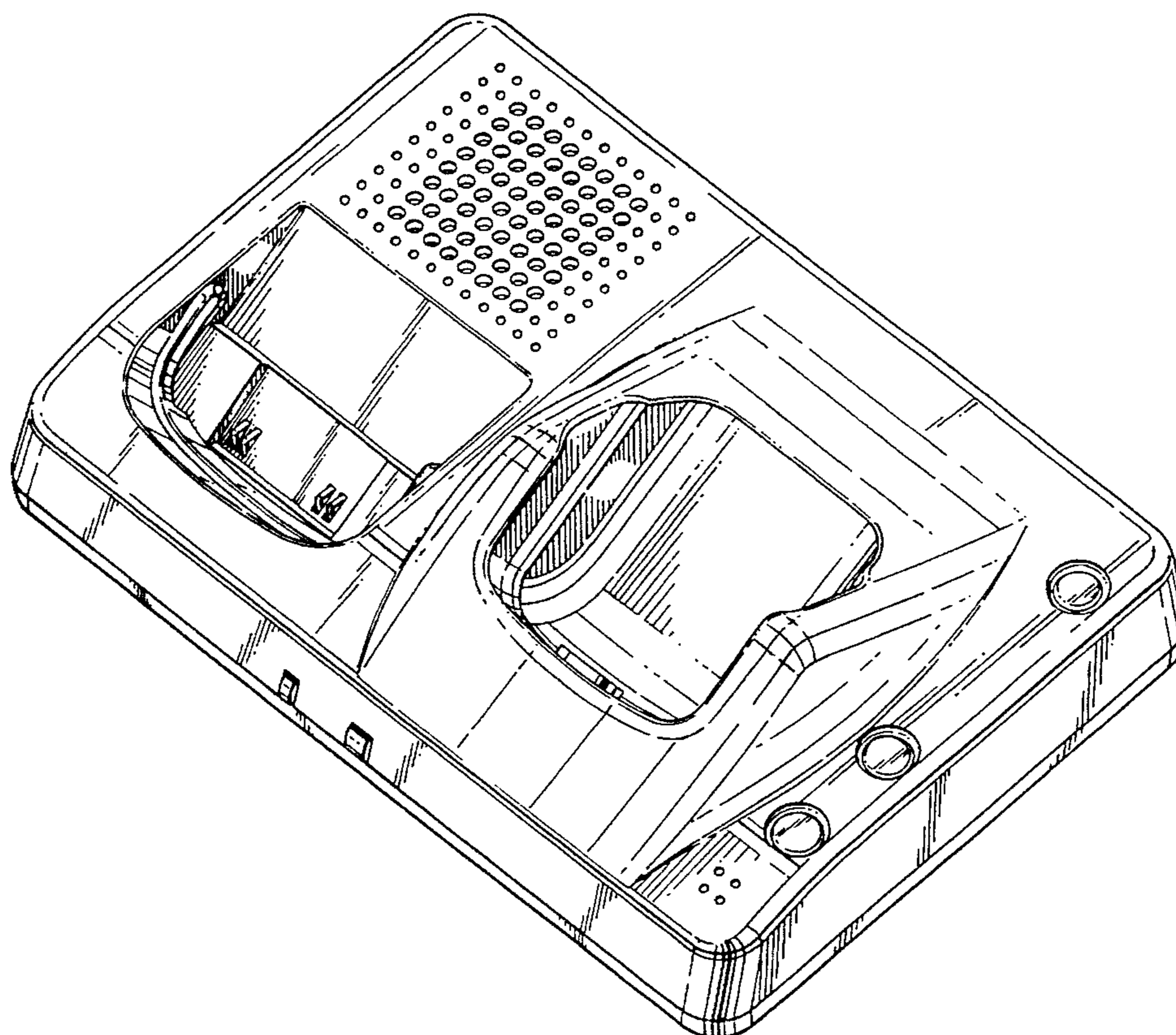


Fig. 1.

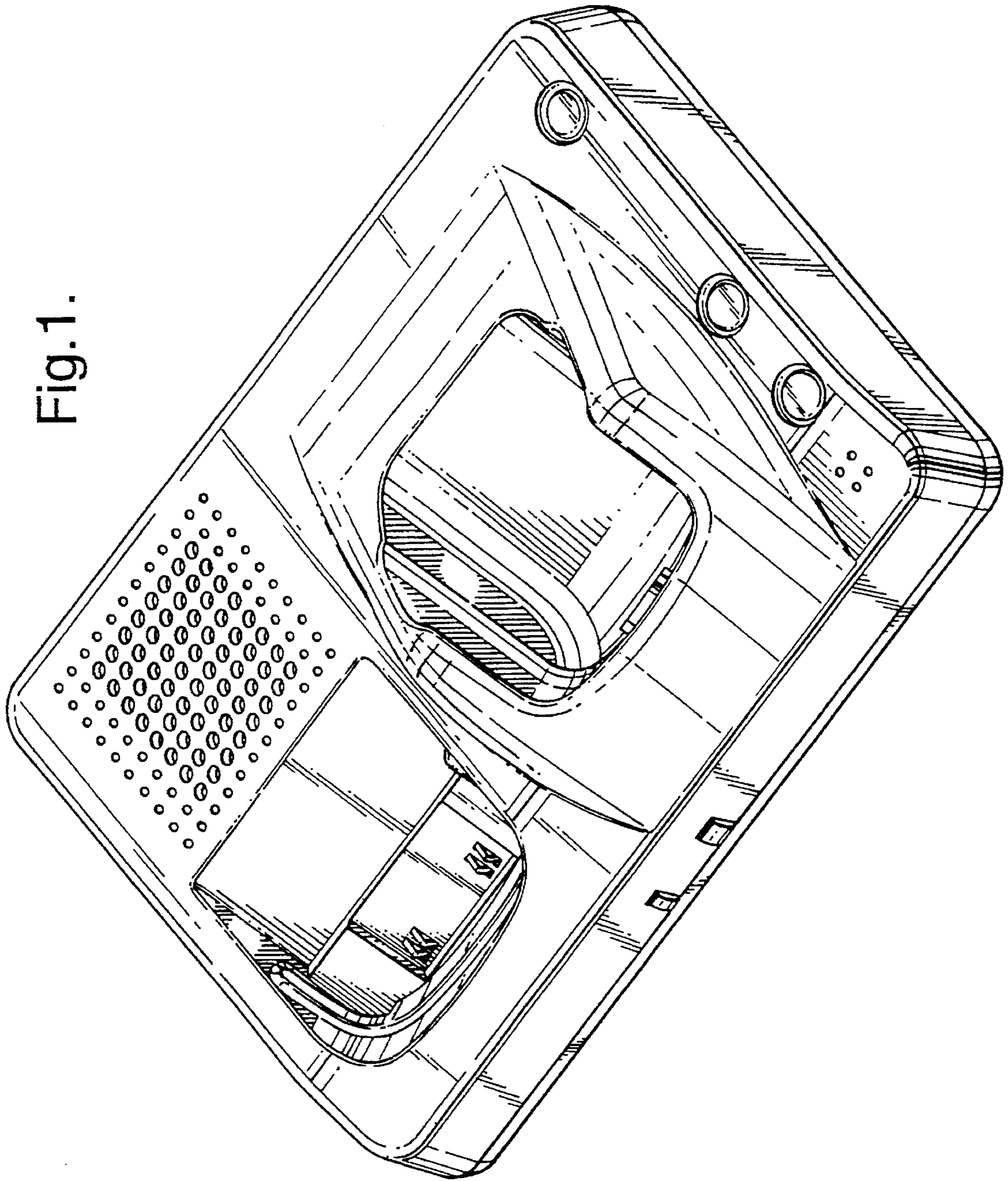


Fig.2.

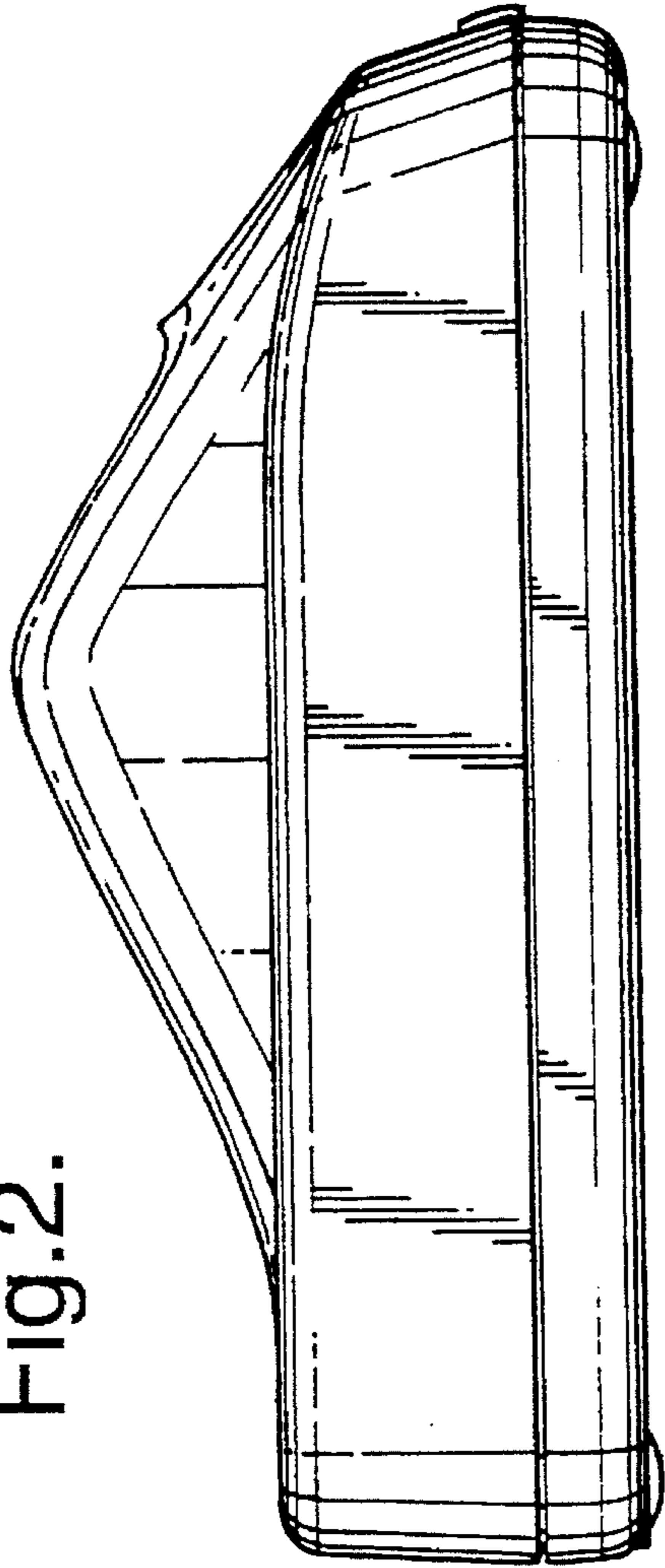


Fig.3.

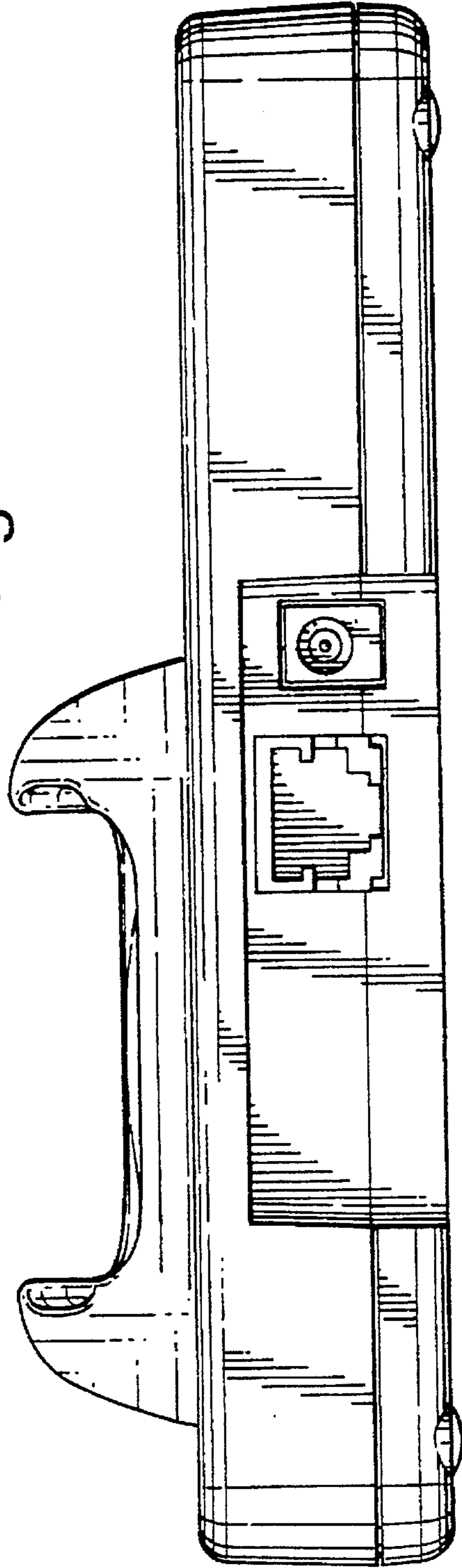


Fig. 4.

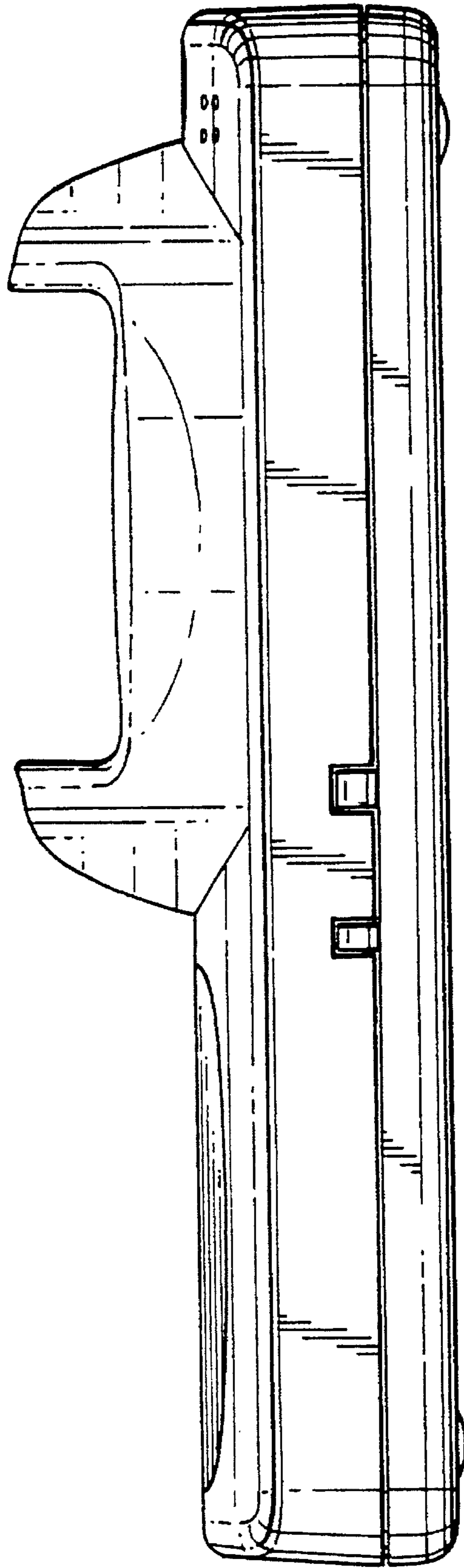


Fig. 5.

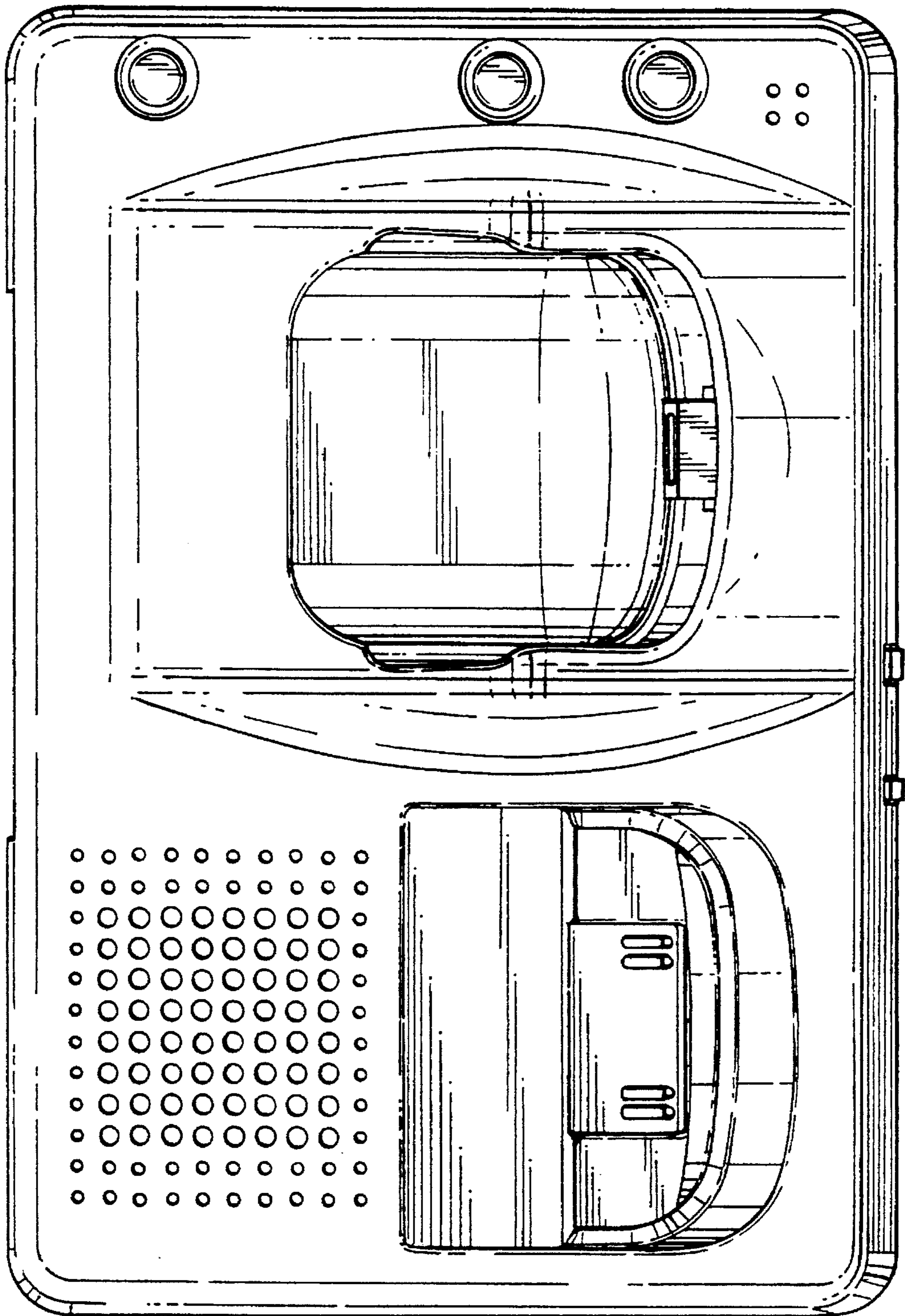


Fig. 6.

