



US00D367646S

# United States Patent [19]

[11] Patent Number: **Des. 367,646**

Schneider et al.

[45] Date of Patent: **\*\*Mar. 5, 1996**

[54] **ENCLOSURE FOR TERMINATING CABLE TELEVISION SERVICE AT THE CUSTOMER'S PREMISES**

4,850,014 7/1989 Gillis et al. .... 379/399  
5,244,408 9/1993 Muller et al. .... D13/152 X  
5,245,507 9/1993 Ericksen ..... 361/641

[75] Inventors: **Pina R. Schneider**, Matawan; **Frank S. Siano**, Spotswood, both of N.J.

OTHER PUBLICATIONS  
Paragon Electric Co. box on p. 53 of *Electrical Systems Design*, Sep. 1988.

[73] Assignee: **ANTEC Corp.**, Rolling Meadows, Ill.

*Primary Examiner*—Joel Sincavage  
*Attorney, Agent, or Firm*—R. Gale Rhodes, Jr.

[\*\*] Term: **14 Years**

[21] Appl. No.: **25,740**

### [57] CLAIM

[22] Filed: **Jul. 11, 1994**

The ornamental design for an enclosure for terminating cable television service at the customer's premises, as shown and described.

[52] U.S. Cl. .... **D13/152**

[58] Field of Search ..... D13/152, 184;  
D14/240; 174/48, 49, 65 R, 66; 379/398,  
399, 413; 220/3.2, 3.8, 4.02, 241, 303;  
361/641; 439/367, 892

### DESCRIPTION

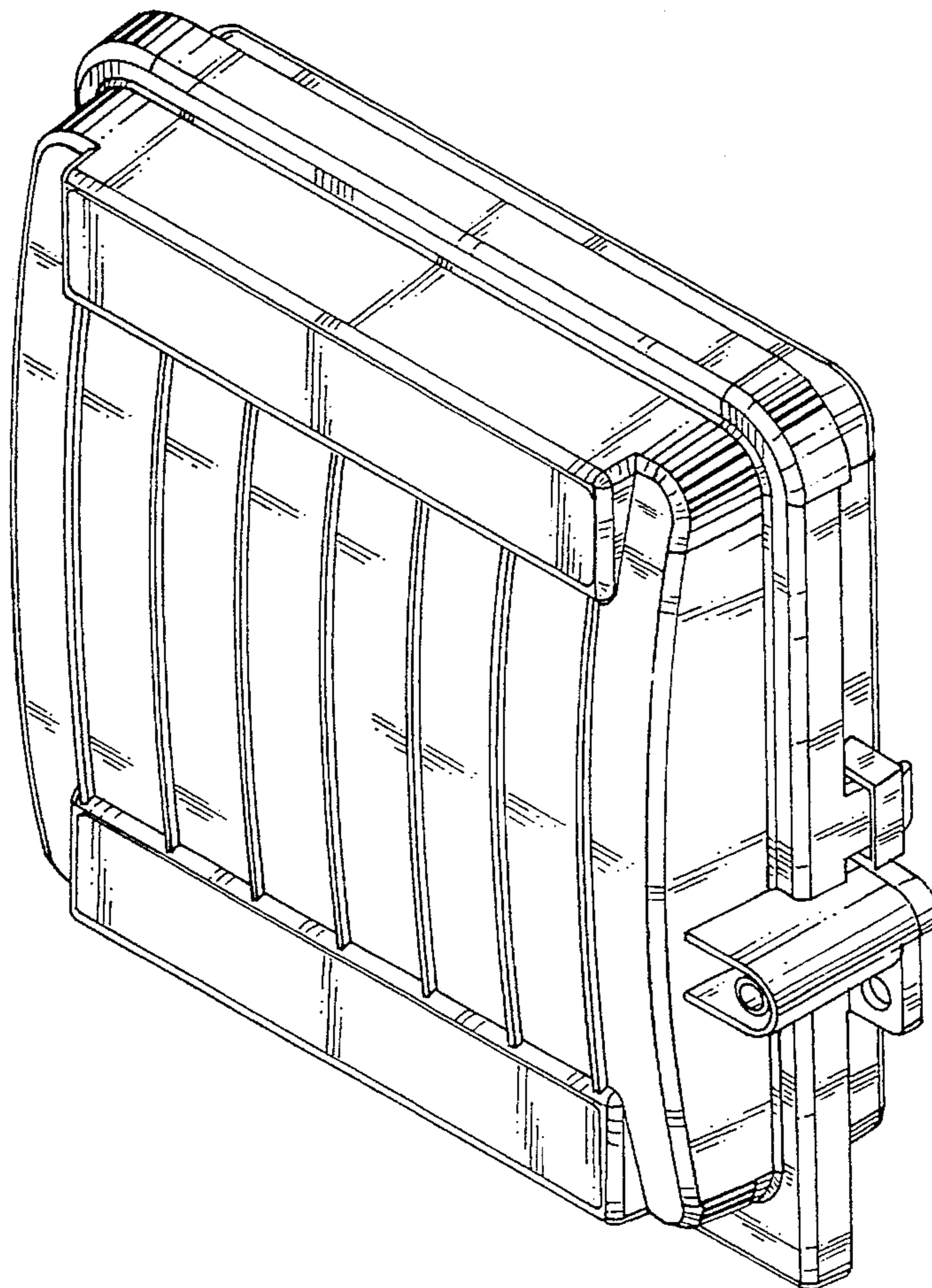
### [56] References Cited

#### U.S. PATENT DOCUMENTS

D. 312,244	11/1990	Collins et al. ....	D13/152
D. 318,653	7/1991	Nieves et al. ....	D13/152 X
D. 320,796	10/1991	Smith .....	D13/184 X
D. 335,650	5/1993	Powell et al. ....	D13/152
D. 340,693	10/1993	Brownlie et al. ....	D13/184 X
D. 346,386	4/1994	Brownlie et al. ....	D13/152 X
4,749,359	6/1988	White .....	439/892 X

FIG. 1 is perspective view of an enclosure for terminating cable television service at the customer's premises;  
FIG. 2 is a front elevational view thereof;  
FIG. 3 is a rear elevational view thereof;  
FIG. 4 is a right side elevational view thereof;  
FIG. 5 is a left side elevational view thereof;  
FIG. 6 is a top view thereof;  
FIG. 7 is a bottom view thereof; and,  
FIG. 8 is a rear and lower left perspective view.

**1 Claim, 6 Drawing Sheets**



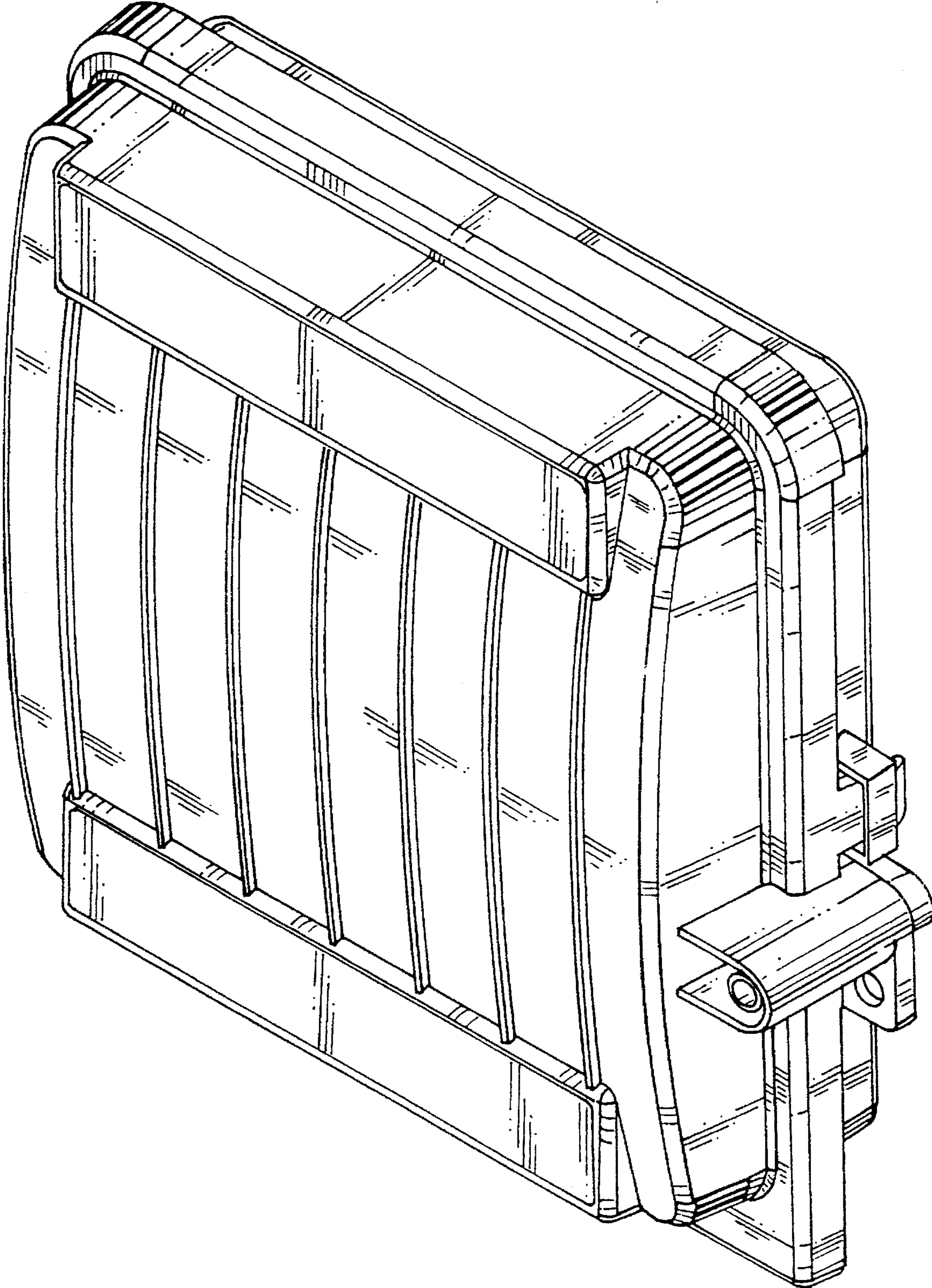


FIG. 1

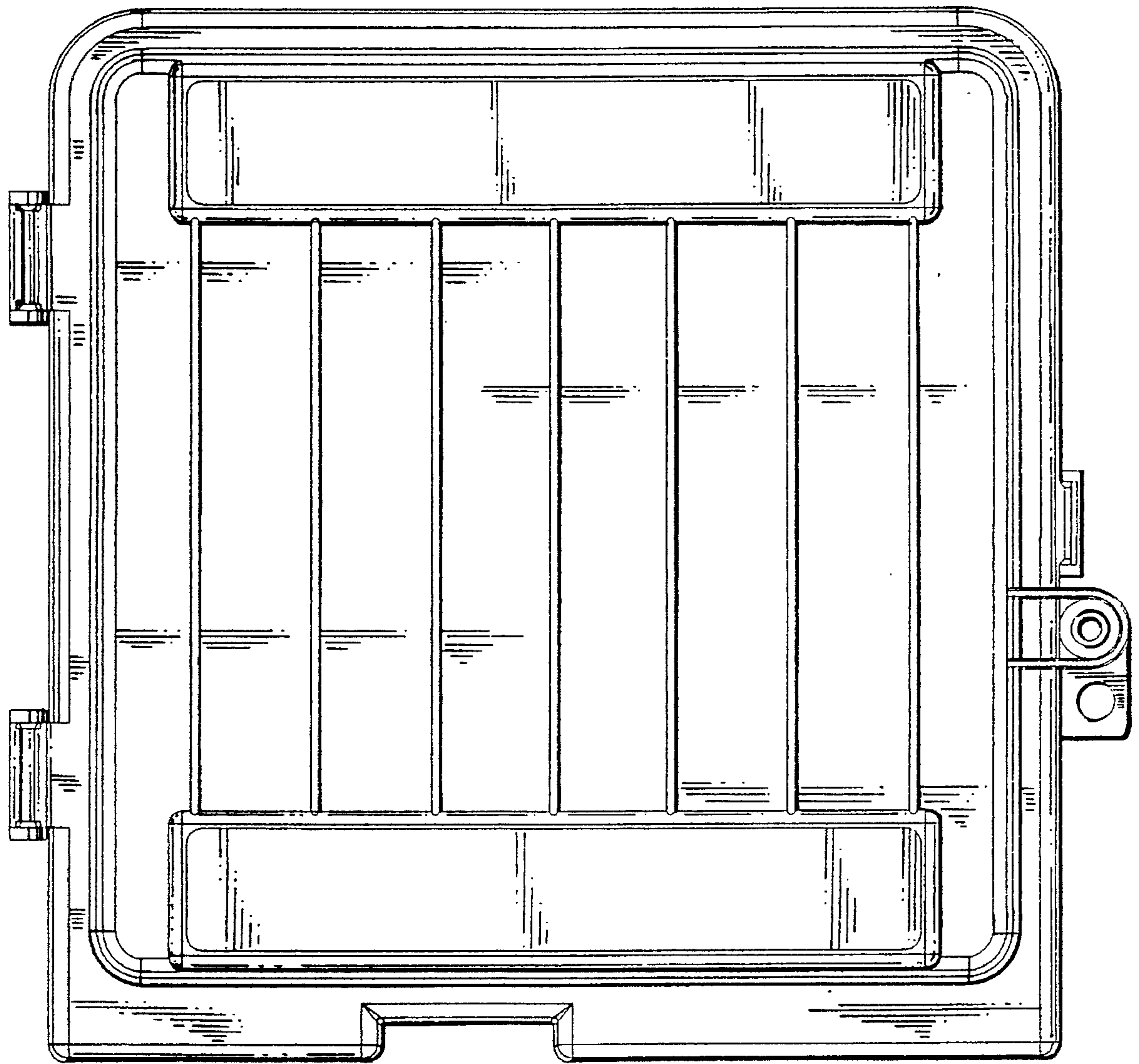
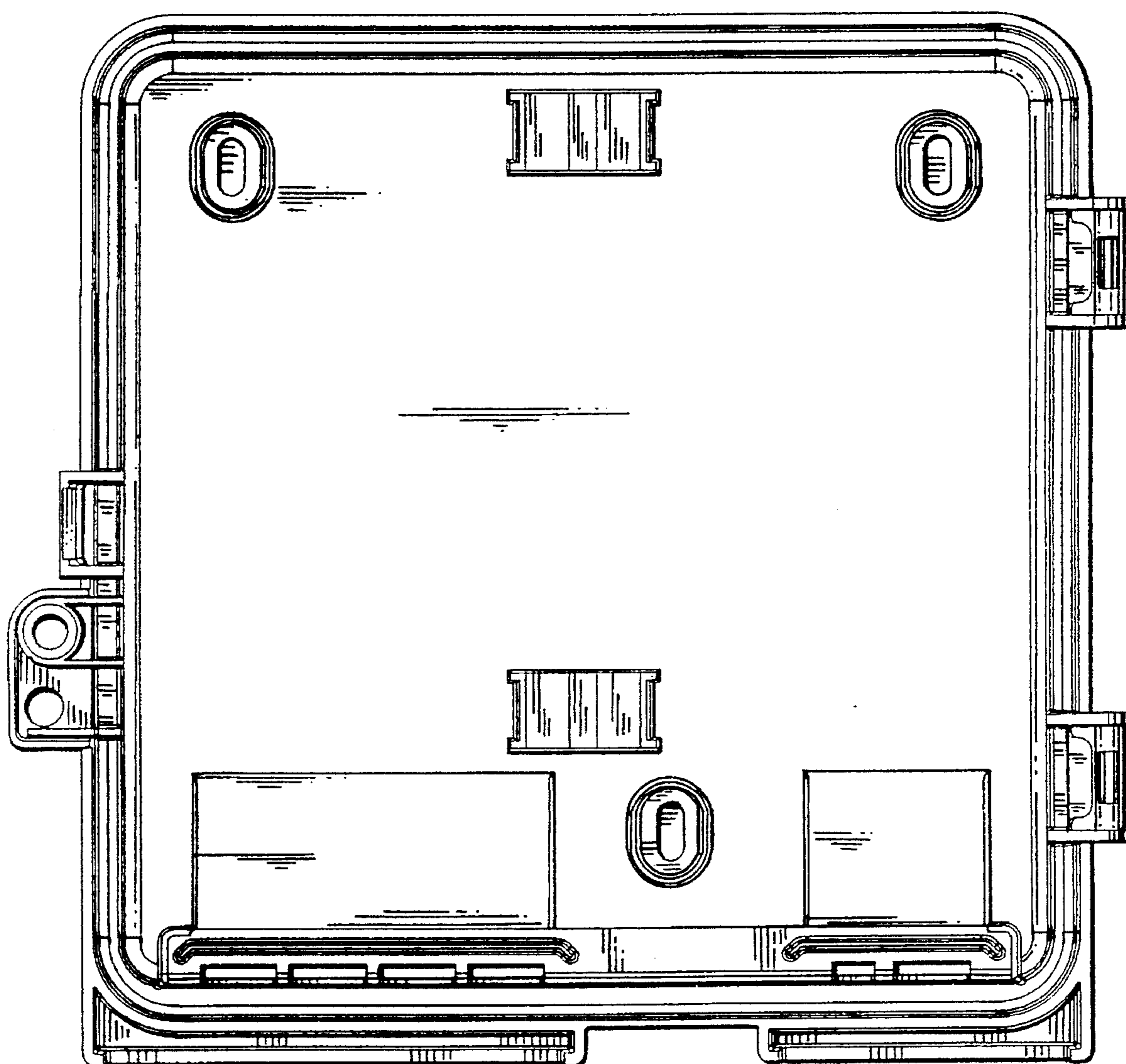


FIG. 2

FIG. 3



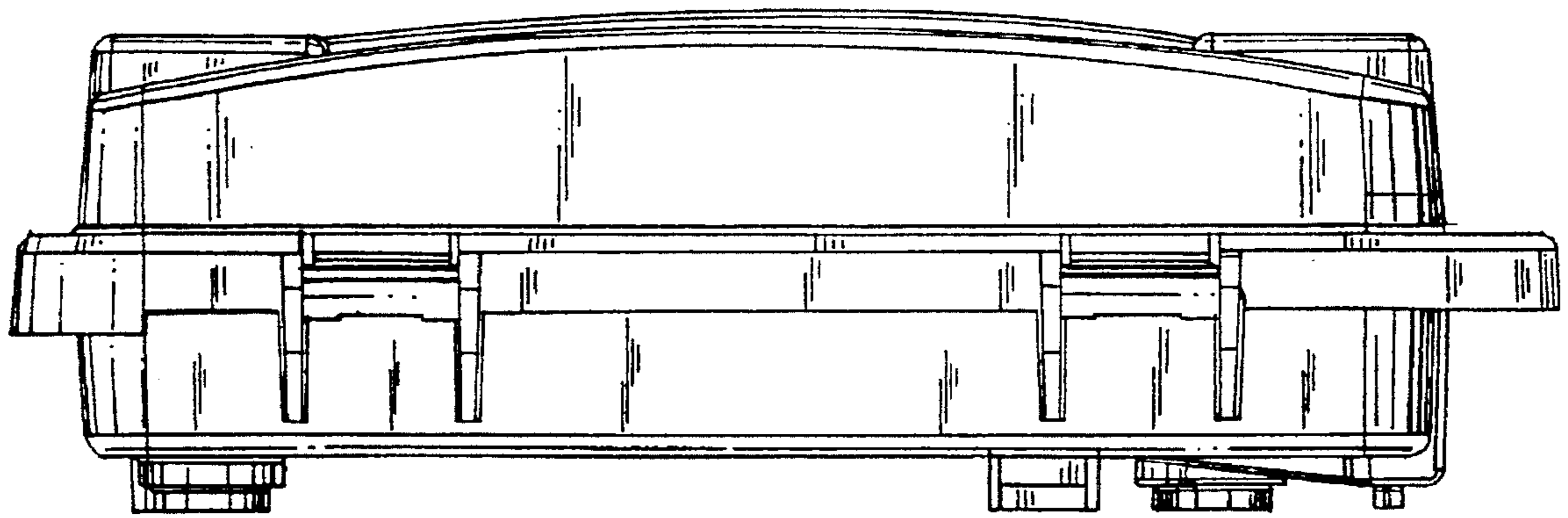


FIG. 4

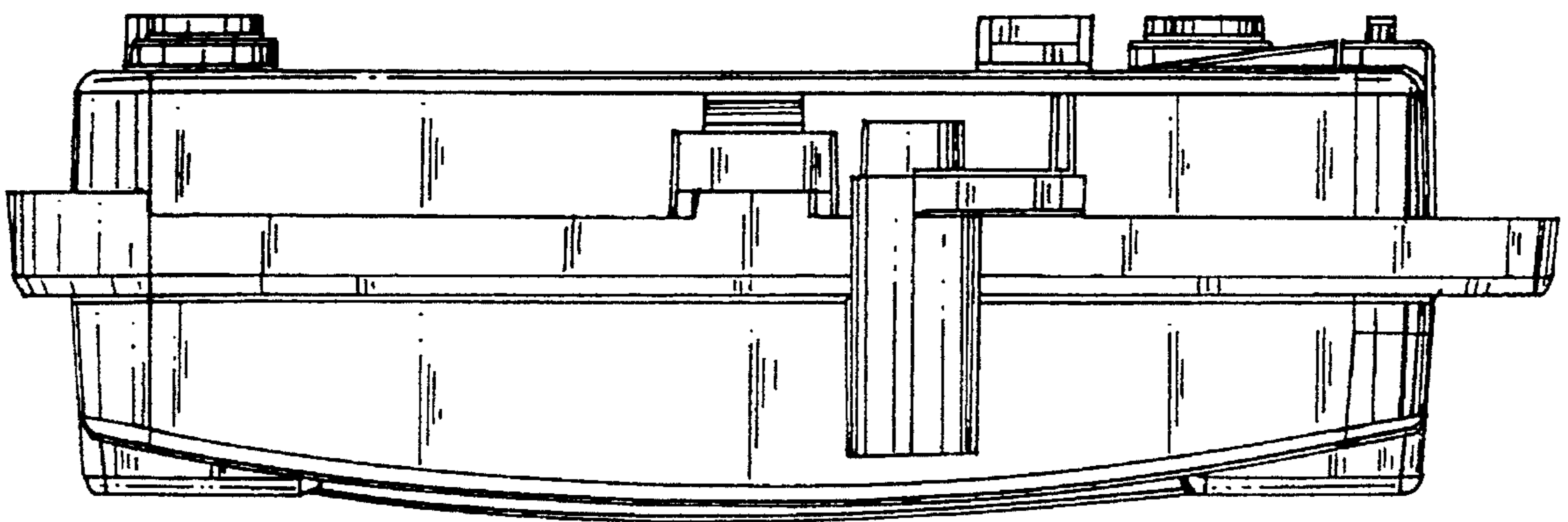


FIG. 5

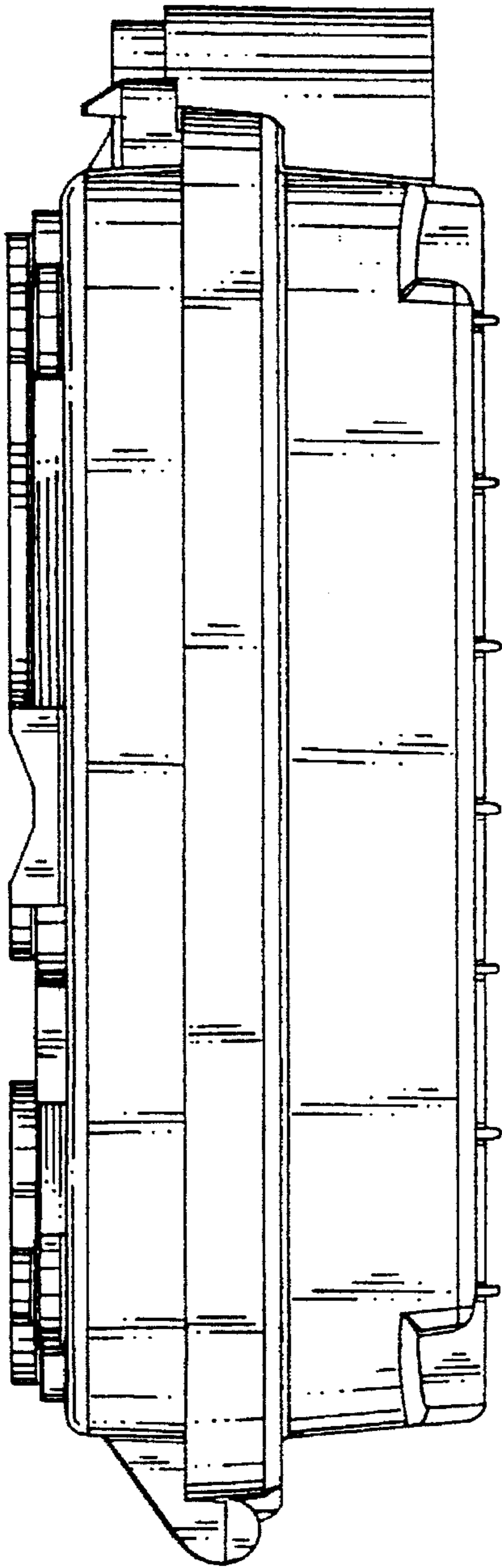


FIG. 6

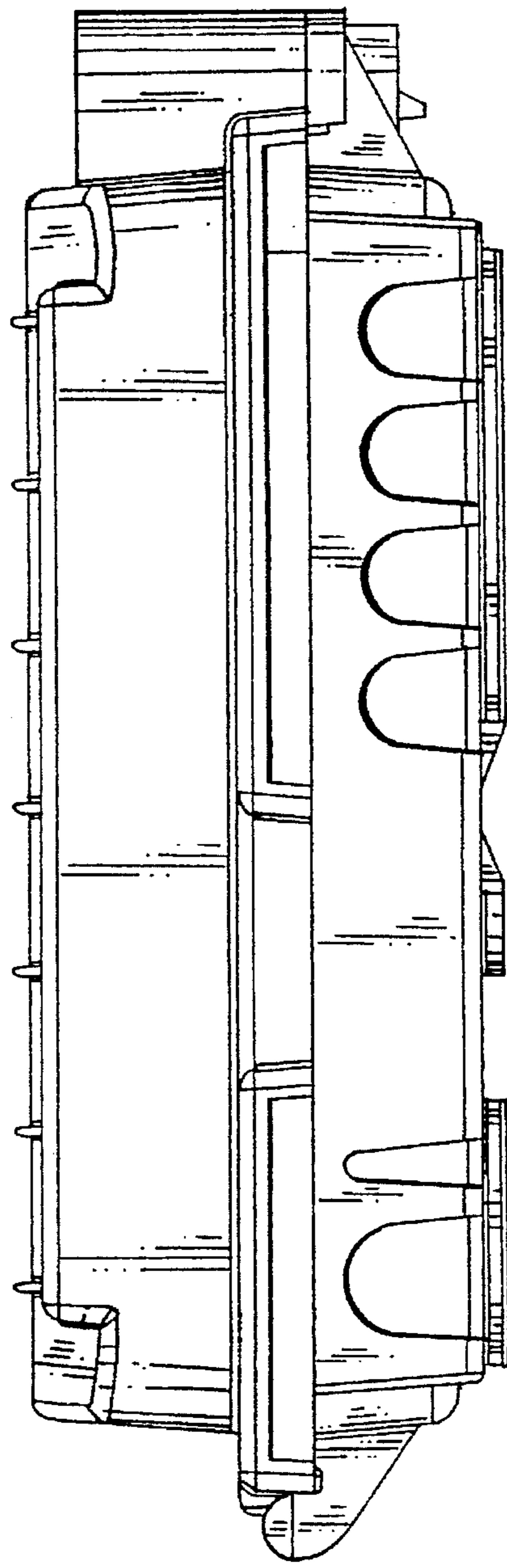


FIG. 7

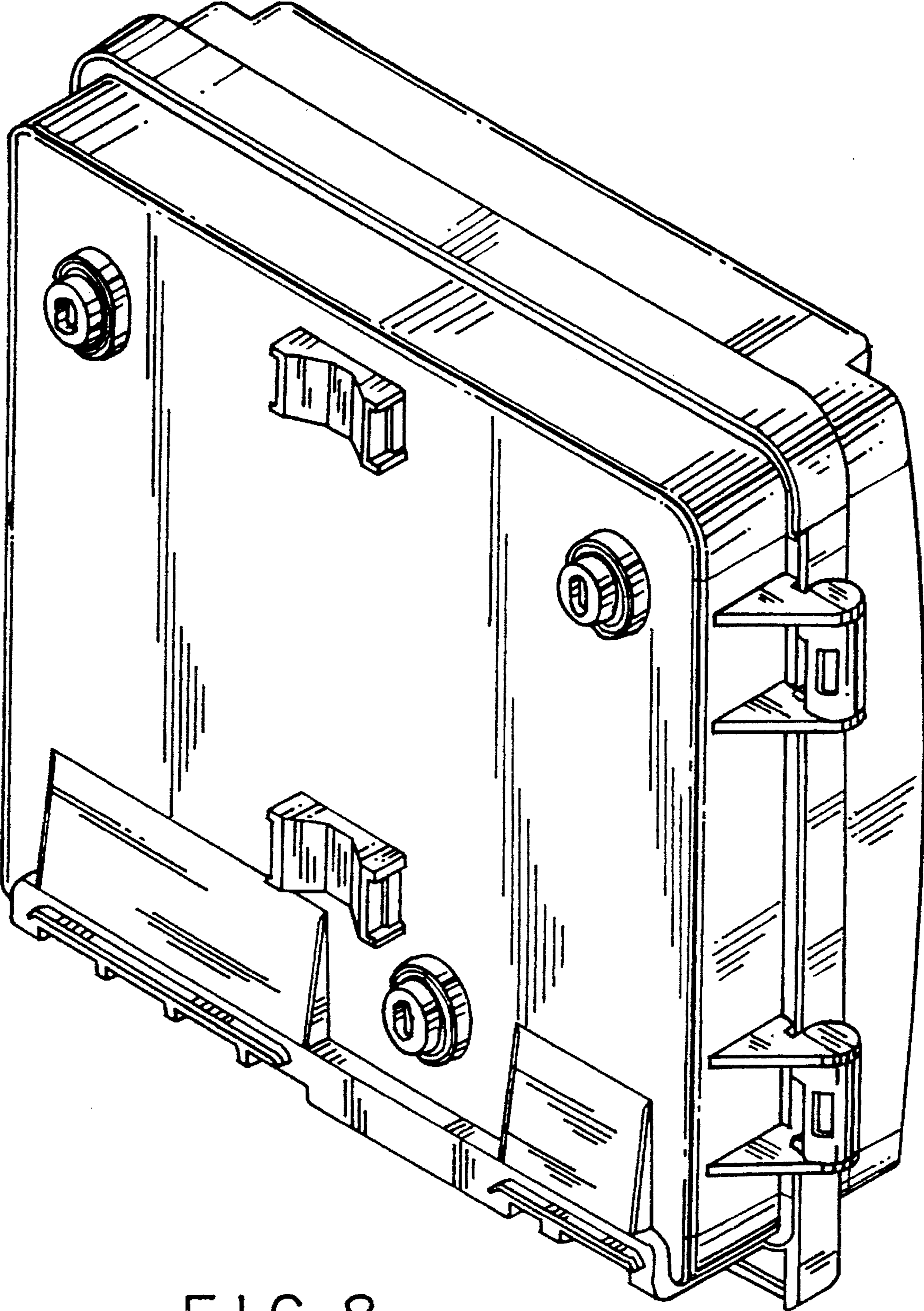


FIG. 8