



US00D367645S

# United States Patent [19]

[11] Patent Number: **Des. 367,645**

Hashizawa et al.

[45] Date of Patent: **\*\*Mar. 5, 1996**

[54] **HOUSING FOR CONNECTOR OF ELECTRIC SUPPLIER FOR ELECTRIC CAR**

*Primary Examiner*—Joel Sincavage  
*Attorney, Agent, or Firm*—SAIDMAN DesignLaw Group

[75] Inventors: **Shigemi Hashizawa; Hirotaka Fukushima; Toshiaki Hasegawa**, all of Shizuoka, Japan

[57] **CLAIM**

The ornamental design for a housing for connector of electric supplier for electric car, as shown and described.

[73] Assignee: **Yazaki Corporation**, Japan

**DESCRIPTION**

[\*\*] Term: **14 Years**

[21] Appl. No.: **36,305**

FIG. 1 is a perspective view of a housing for connector of electric supplier for electric car showing our new design with both the inner lid and outer lid closed;

[22] Filed: **Mar. 16, 1995**

FIG. 2 is a front elevational view thereof;

[30] **Foreign Application Priority Data**

Sep. 16, 1994 [JP] Japan ..... 6-27845

FIG. 3 is a rear elevational view thereof;

[52] U.S. Cl. .... **D13/146; D13/156**

FIG. 4 is a top view thereof;

[58] Field of Search ..... D13/146, 156;

FIG. 5 is a bottom view thereof;

439/34, 35, 142, 144, 519, 521, 528, 638

FIG. 6 is a left side view thereof;

[56] **References Cited**

**U.S. PATENT DOCUMENTS**

D. 361,313 8/1995 Sai et al. .... D13/156 X

3,773,969 11/1973 Geisel ..... 439/528 X

4,456,145 6/1984 Frank ..... 439/142 X

FIG. 7 is a right side view thereof;

FIG. 8 is a front view in elevation with the inner and outer lids open and nested with each other;

FIG. 9 is a front view of the inner lid only;

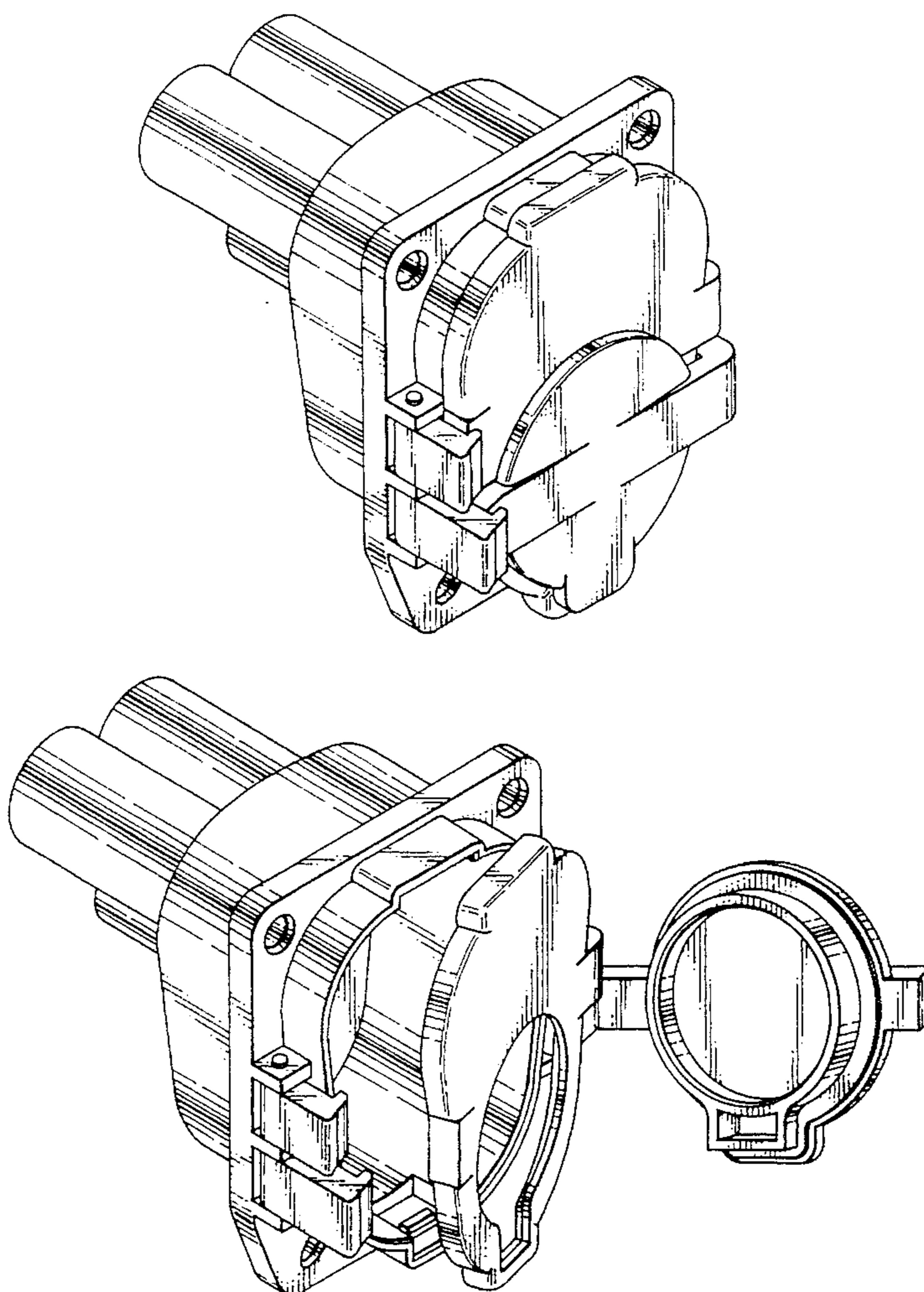
FIG. 10 is a rear view of the inner lid only;

FIG. 11 is a front view of the outer lid only;

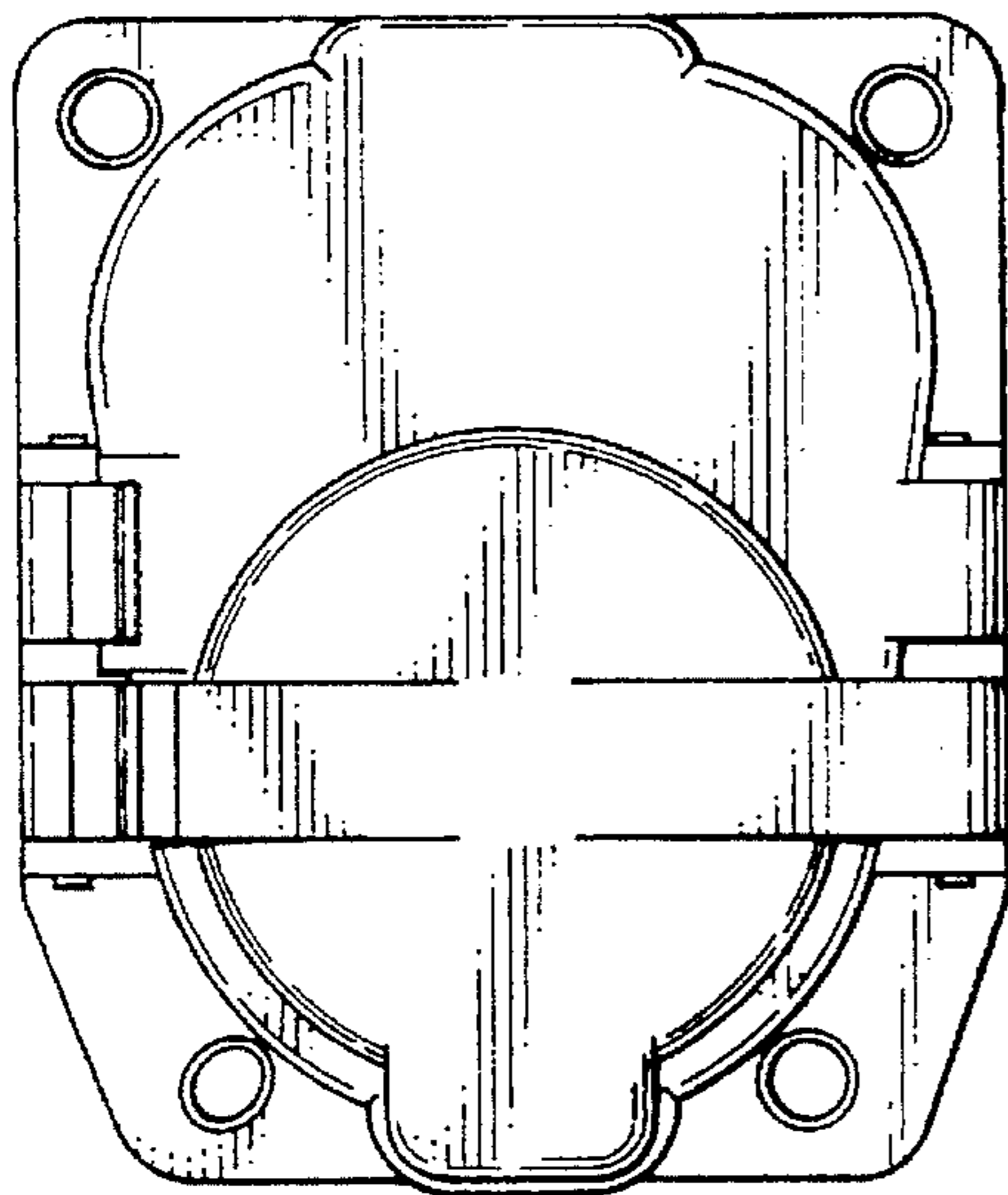
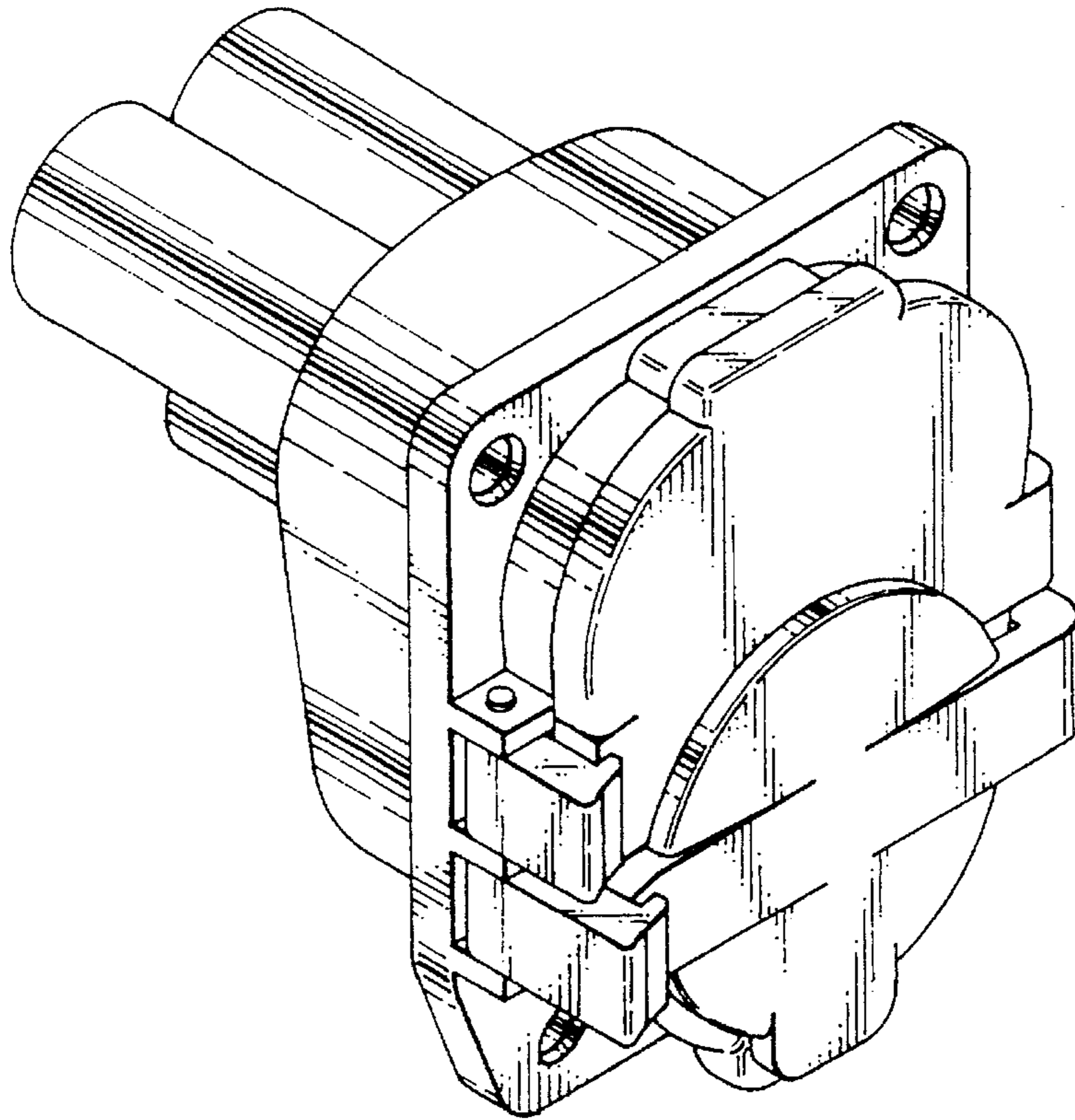
FIG. 12 is a rear view of the outer lid only; and,

FIG. 13 is a perspective view showing the outer lid and the inner lid open but not nested with each other.

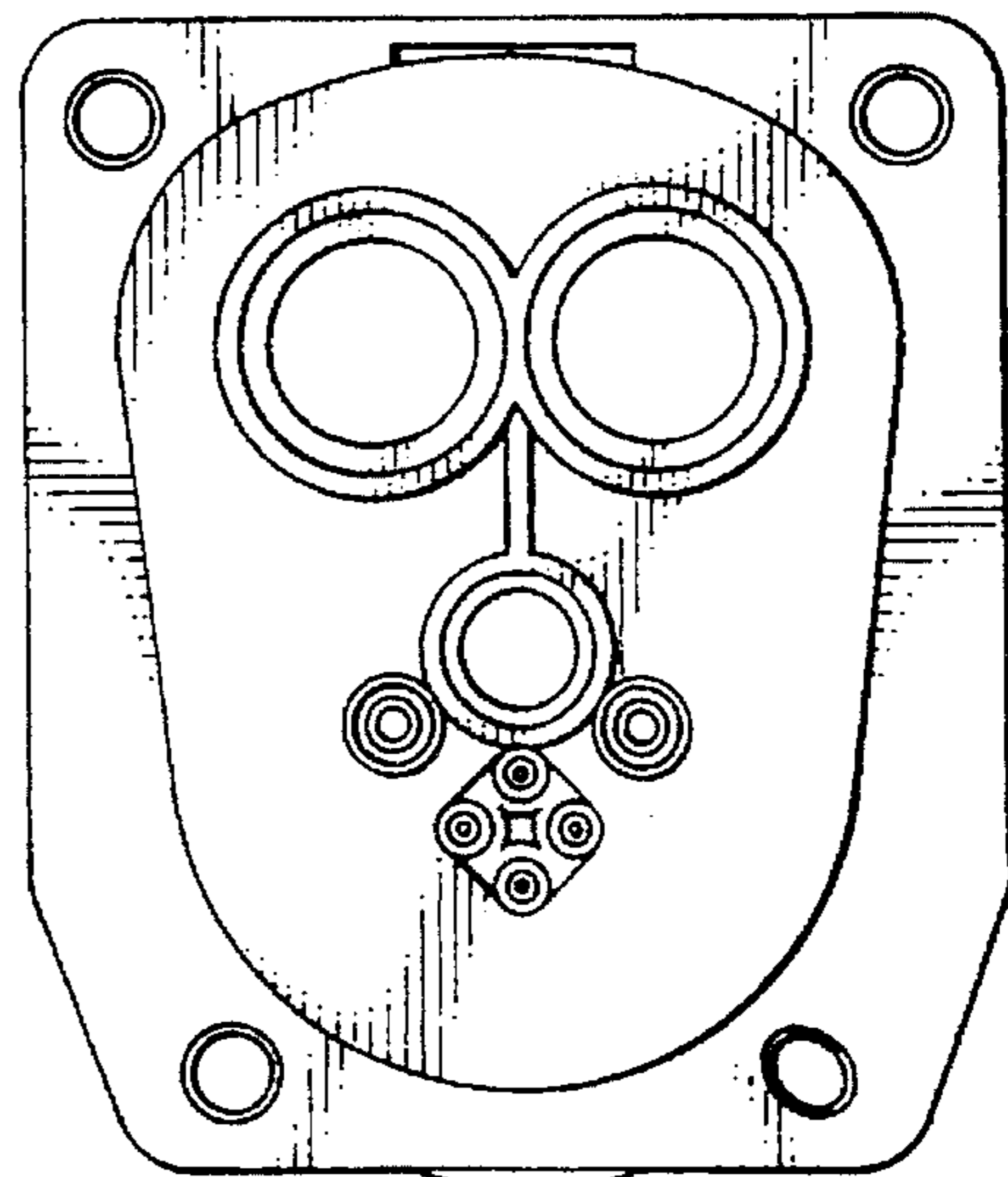
**1 Claim, 4 Drawing Sheets**



**FIG. 1**

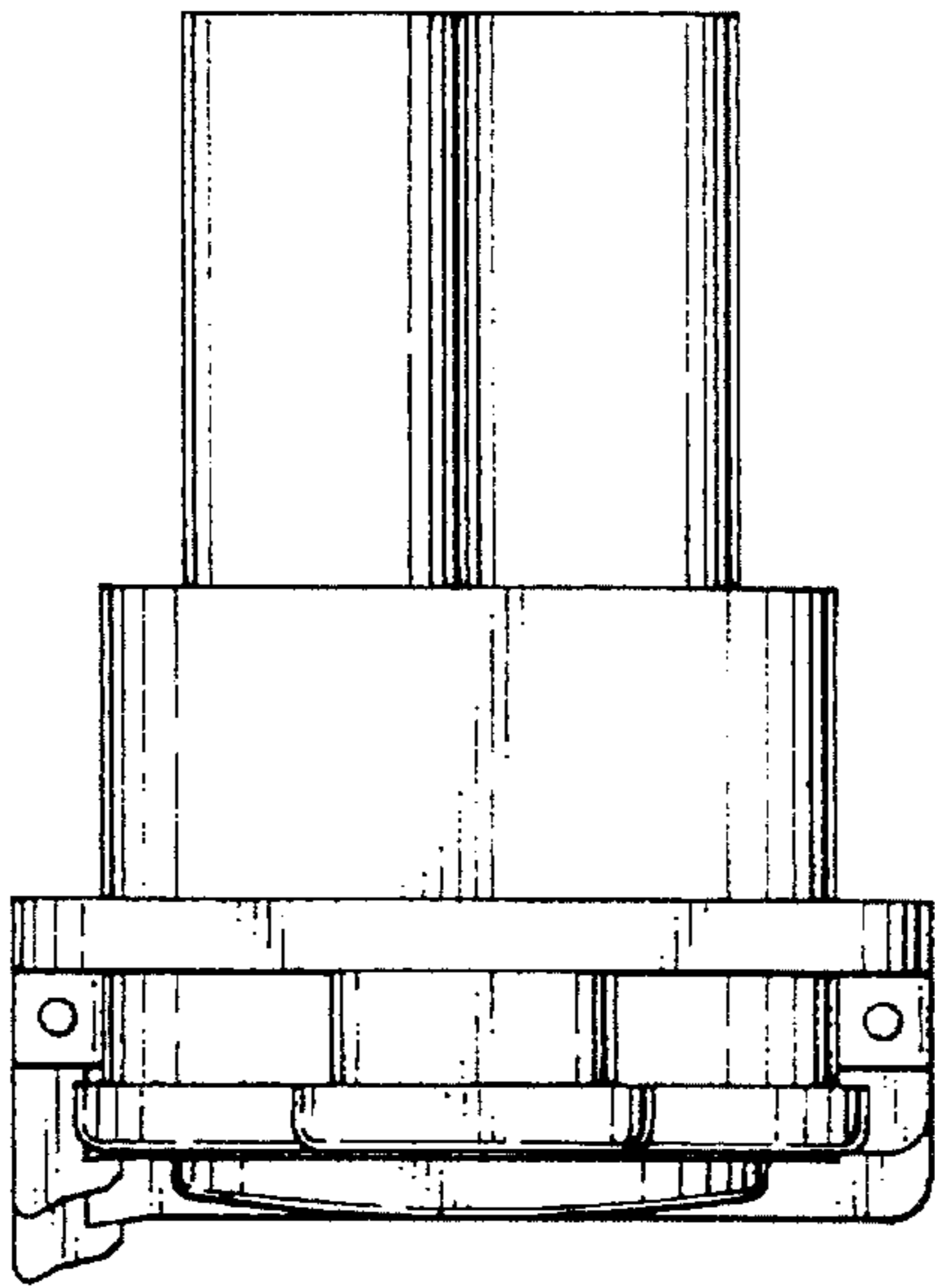


**FIG. 2**

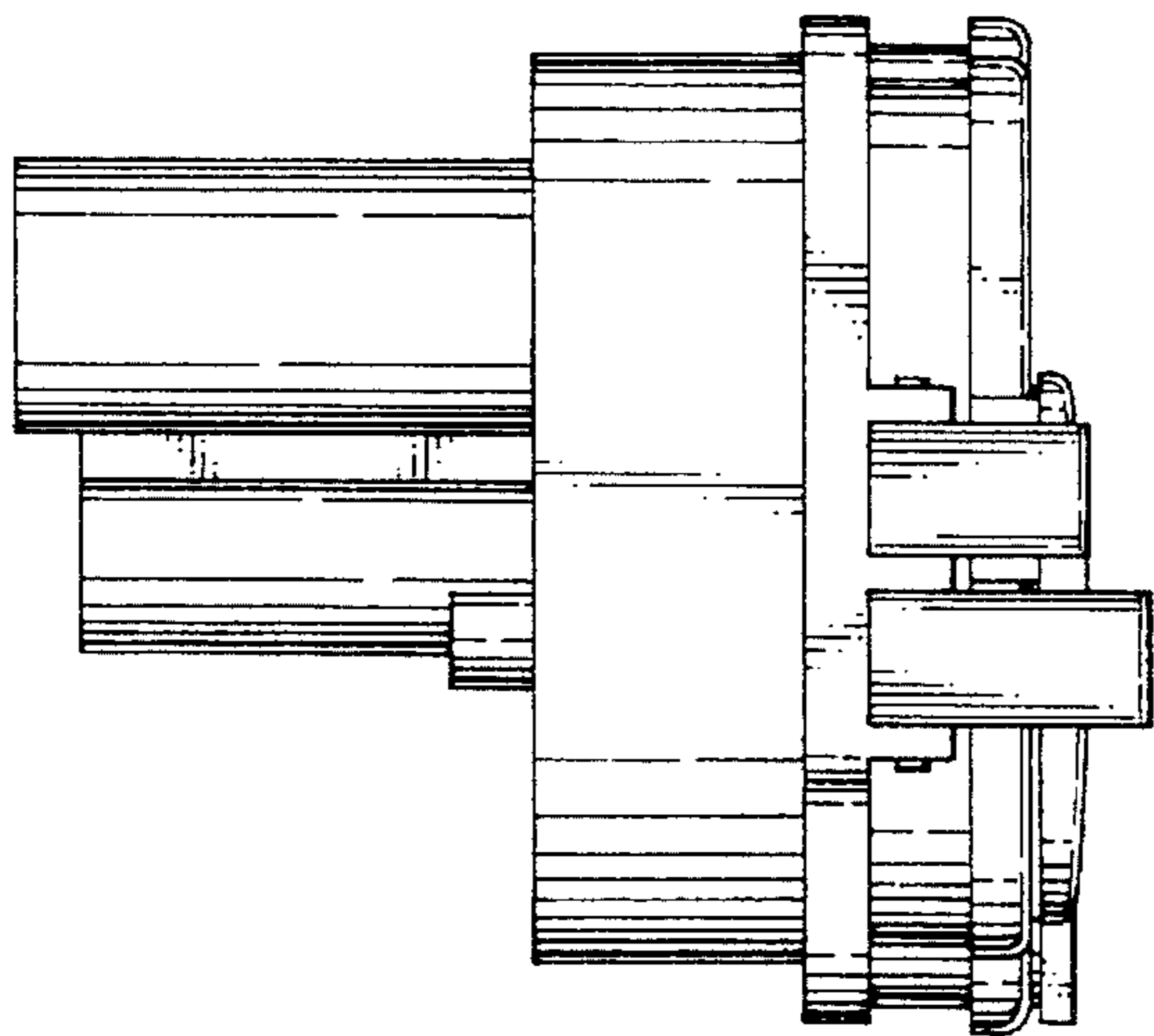
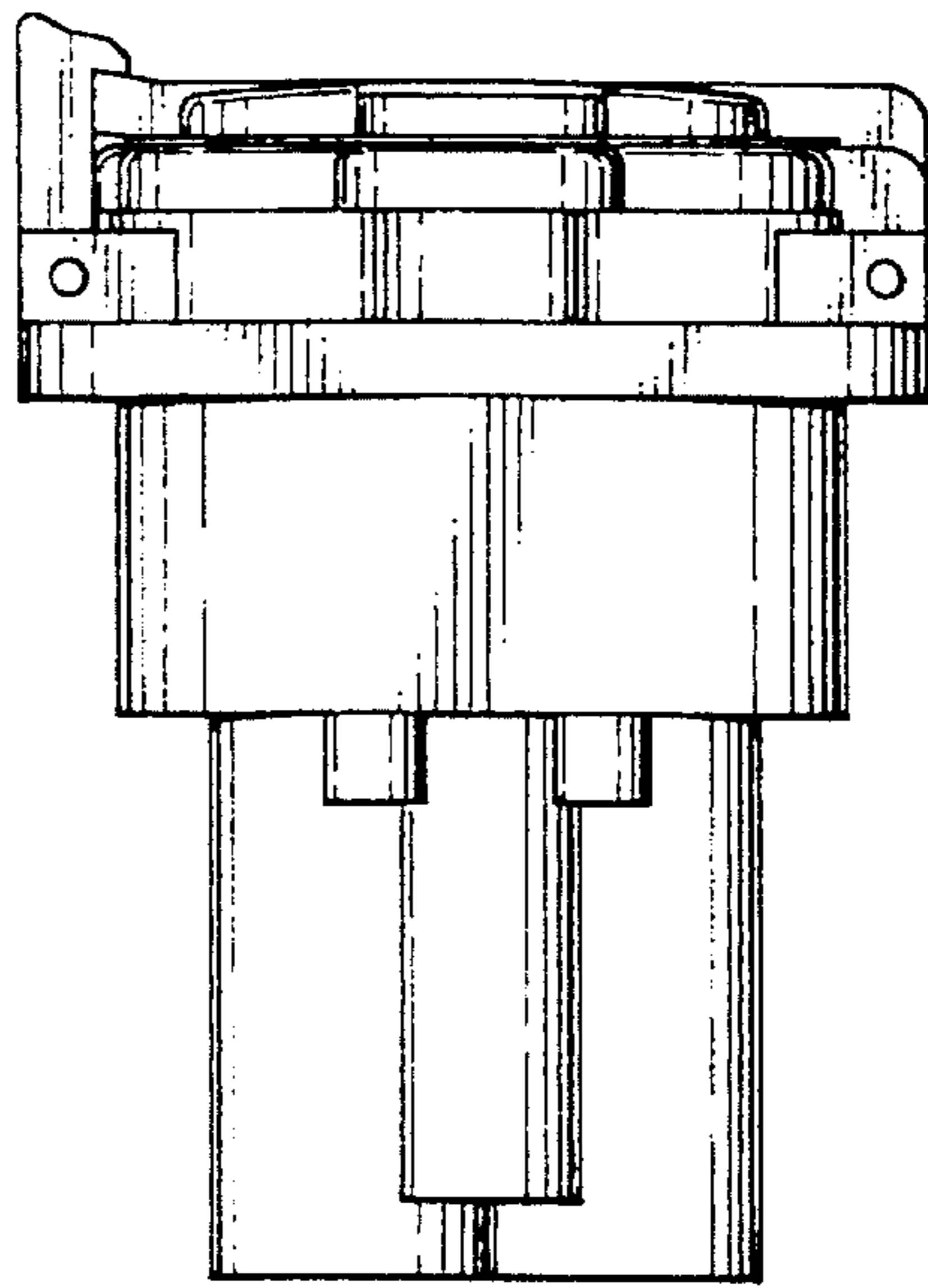


**FIG. 3**

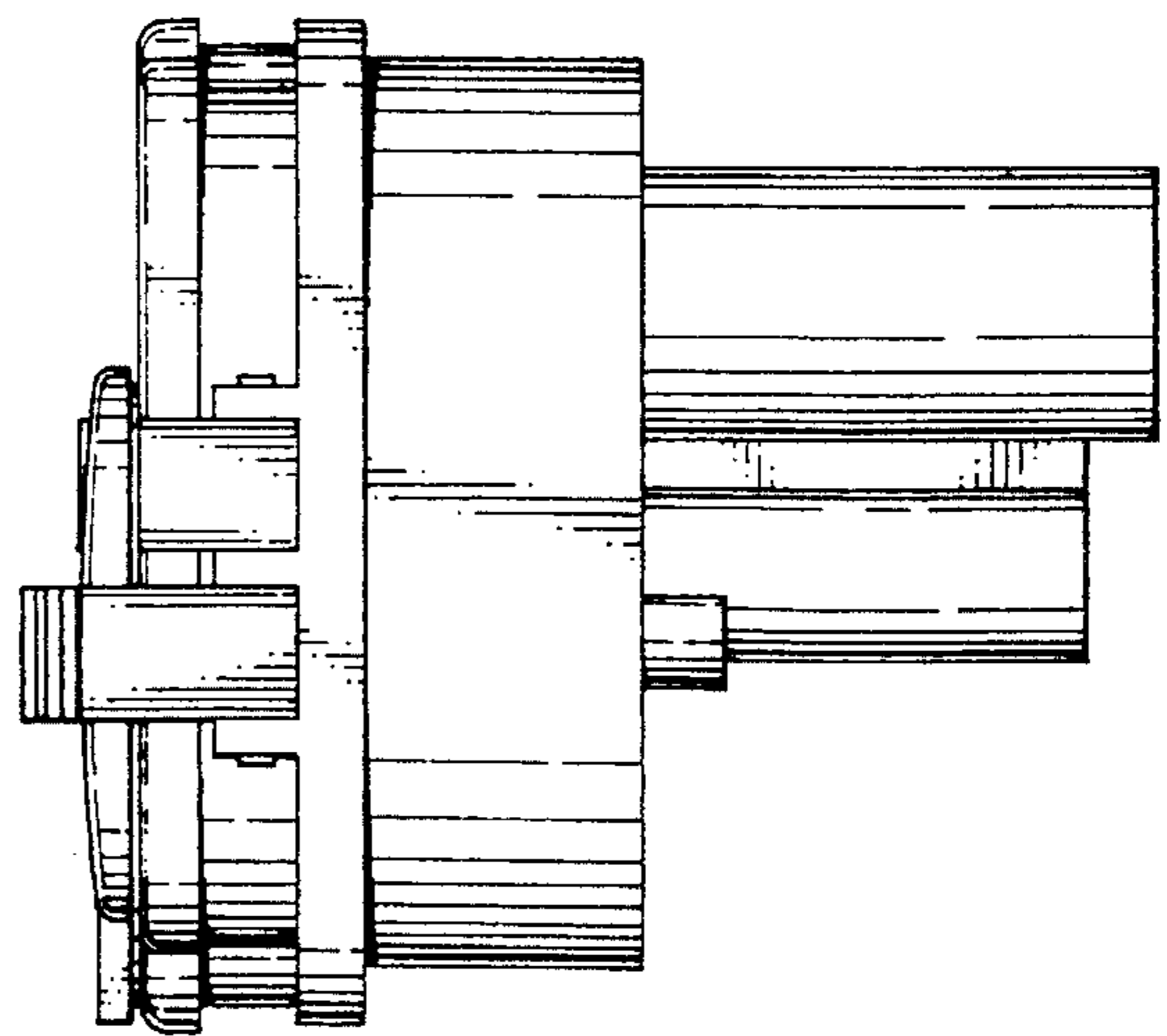
**FIG. 4**



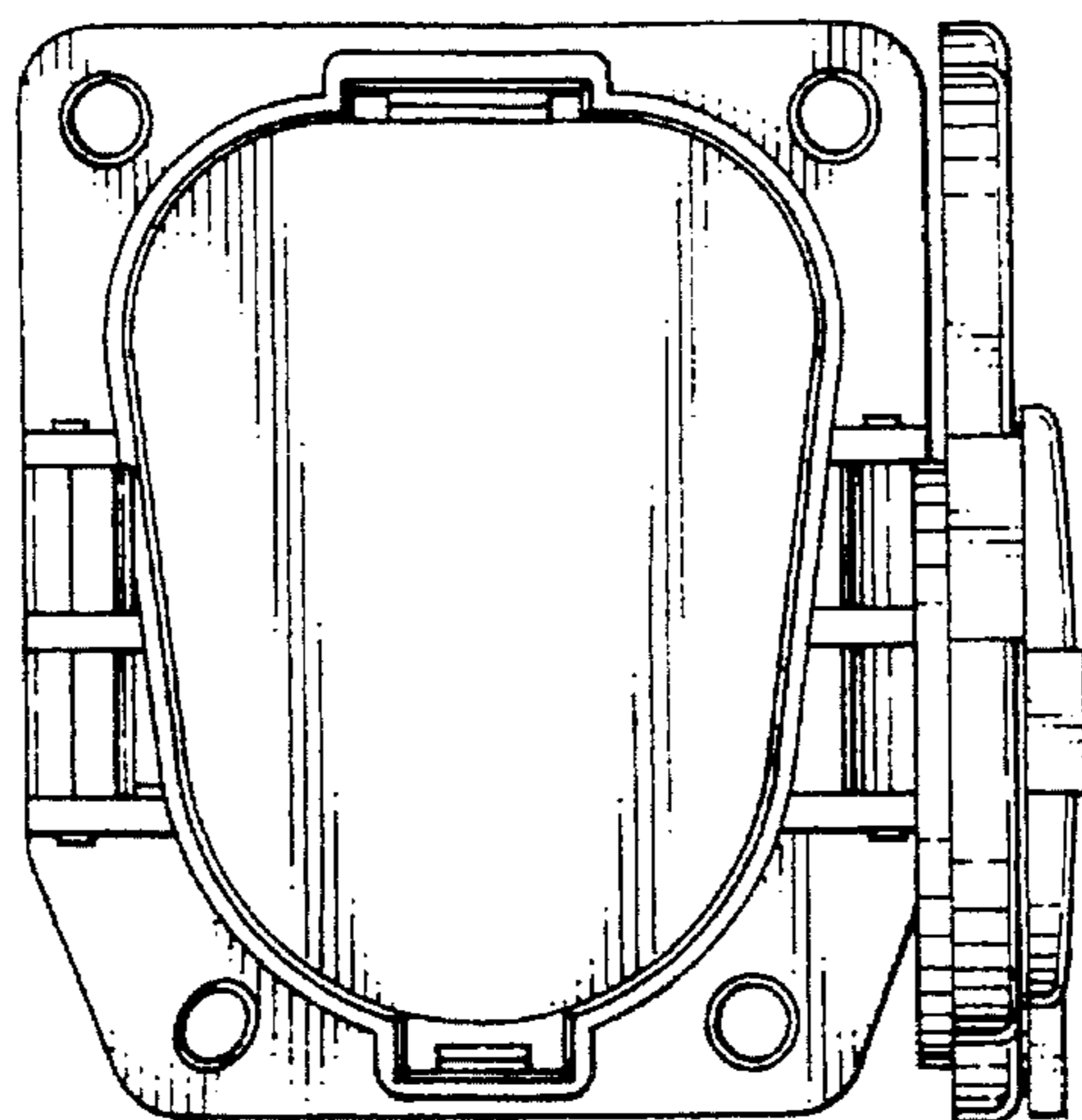
**FIG. 5**



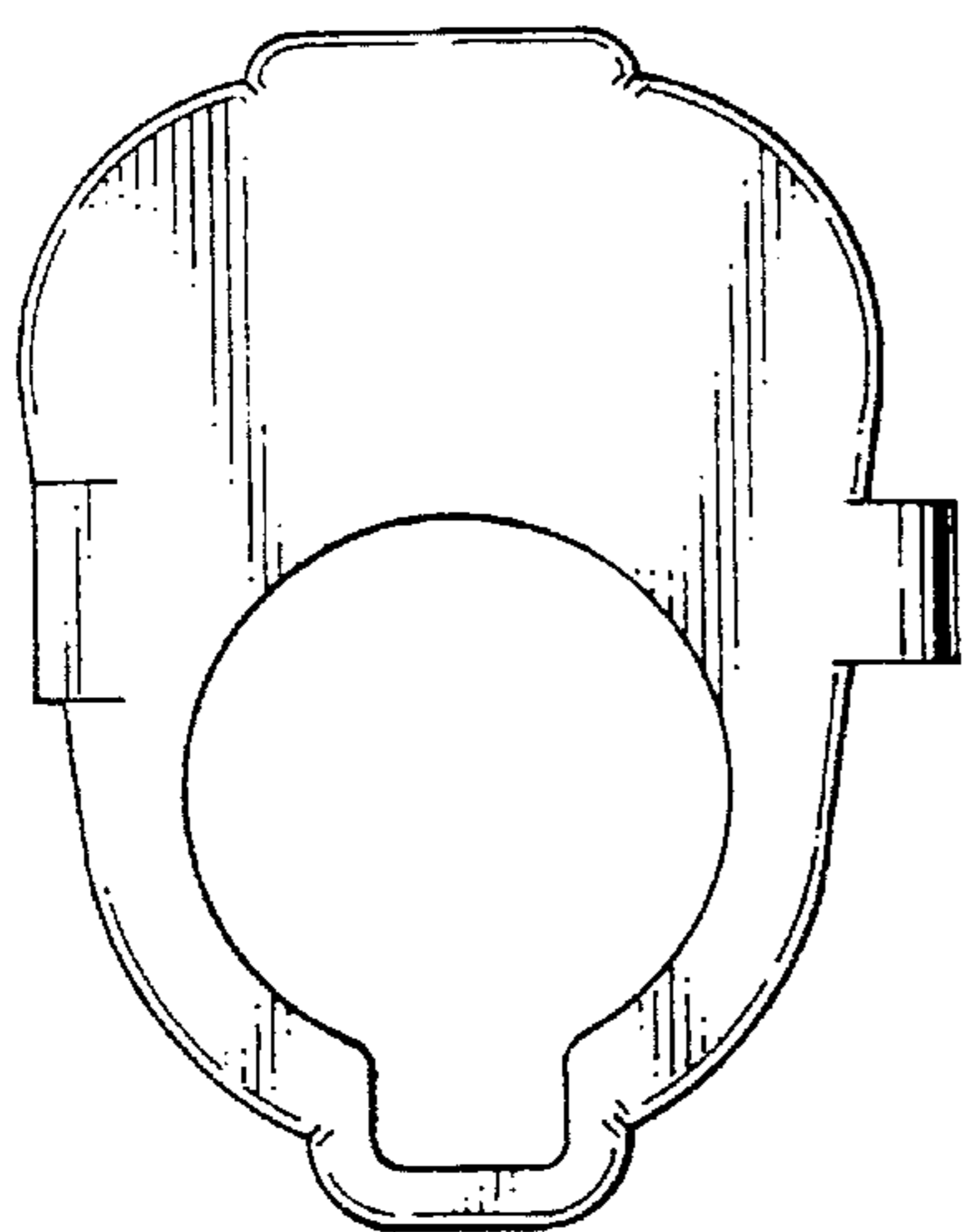
**FIG. 6**



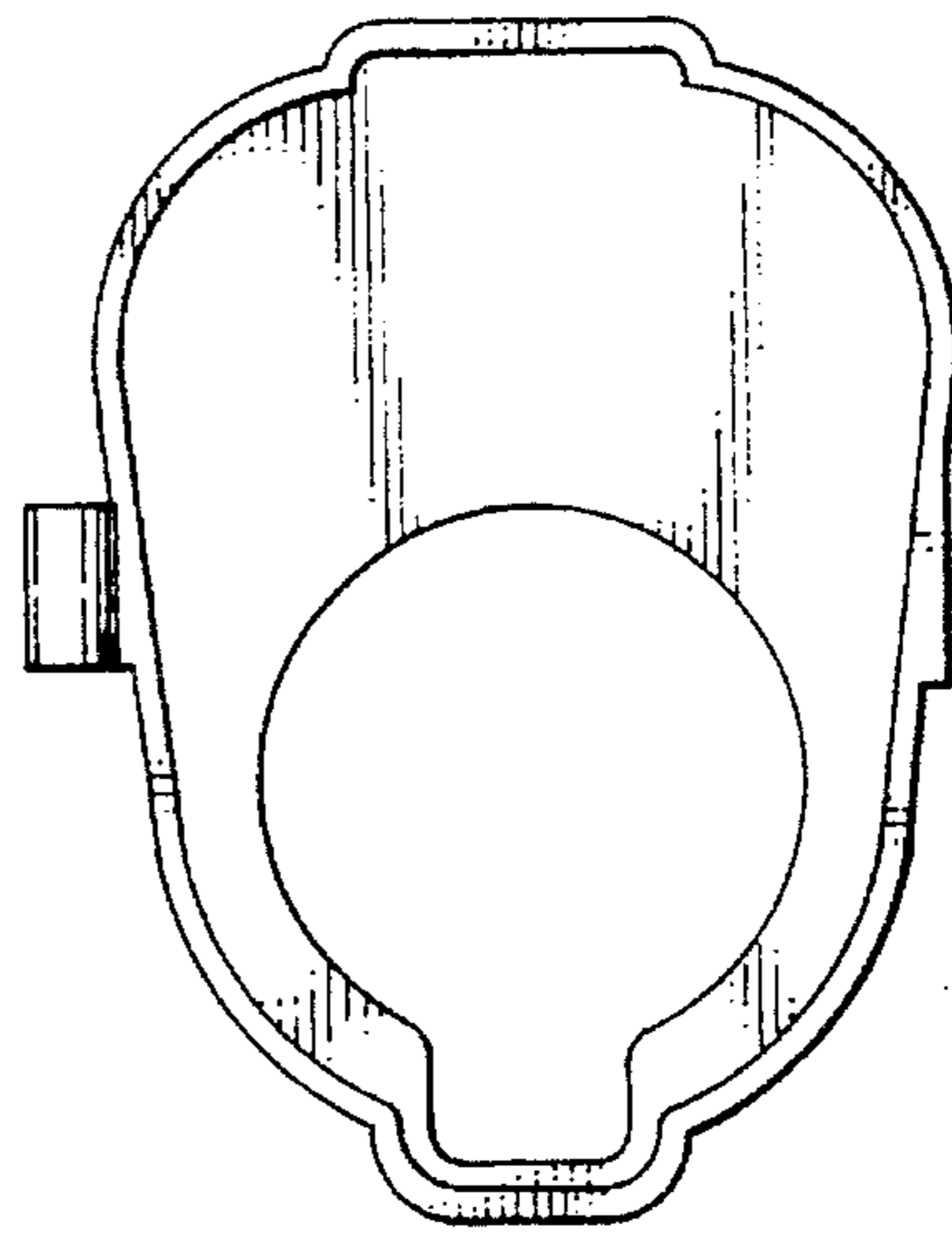
**FIG. 7**



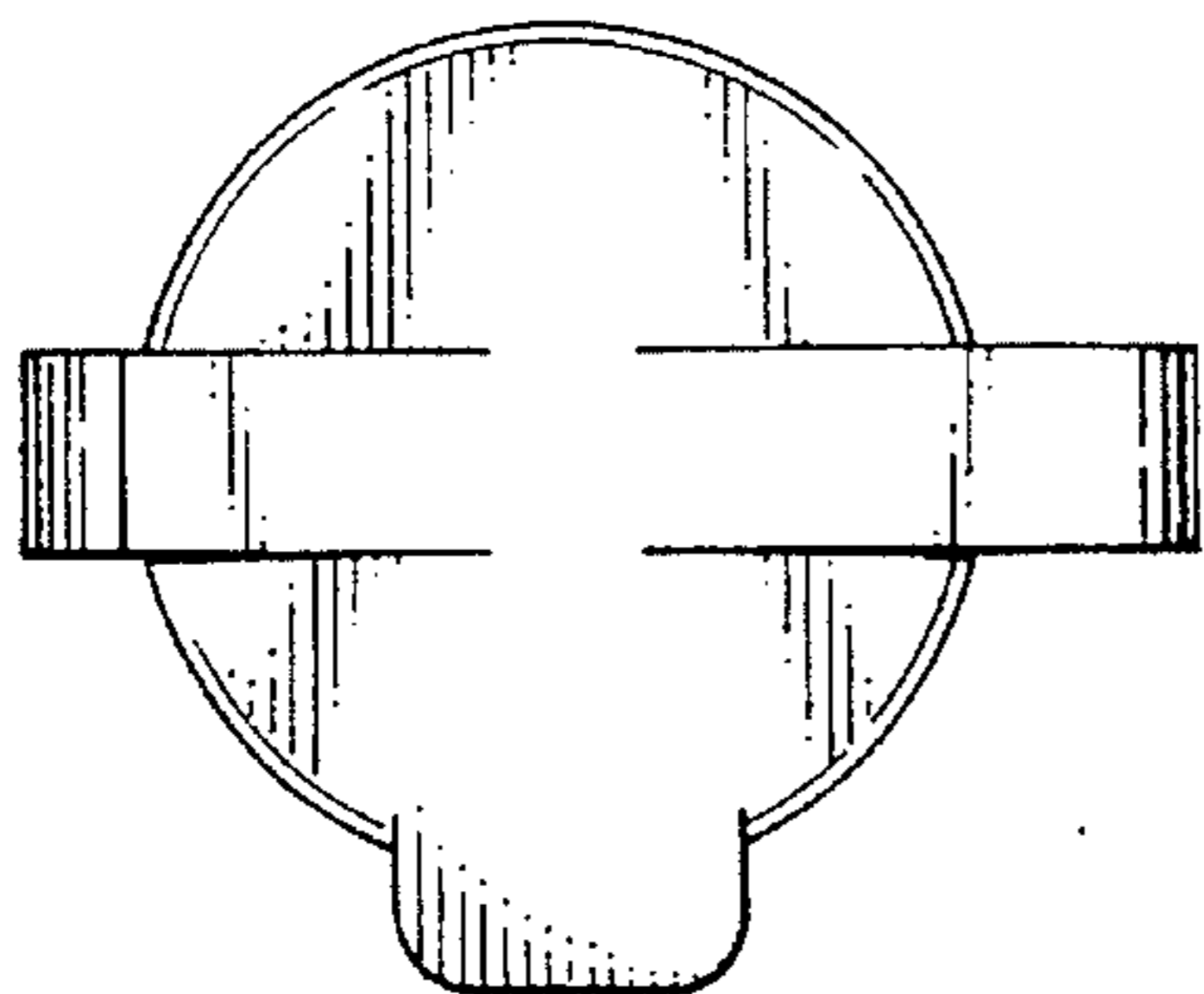
**FIG. 8**



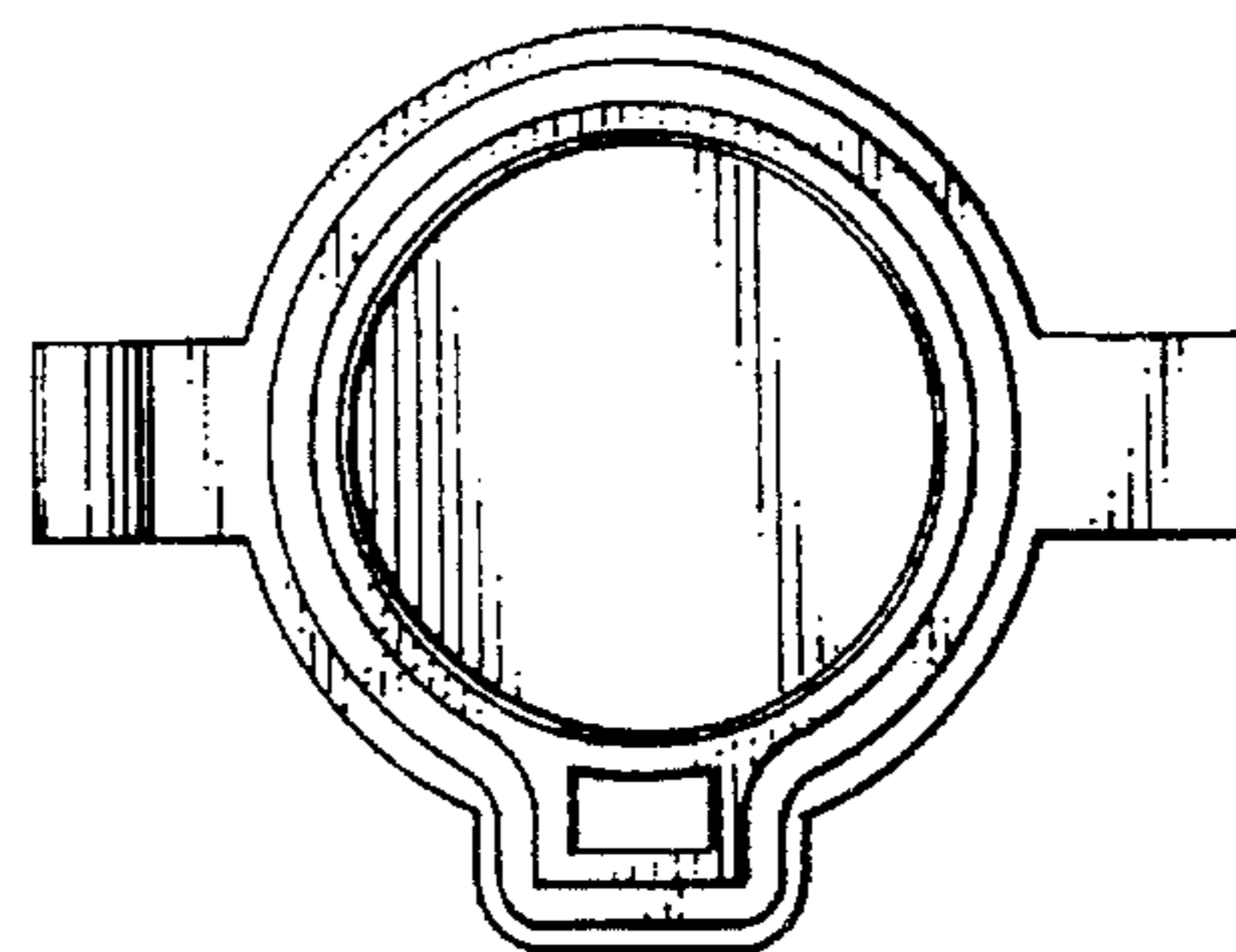
**FIG. 9**



**FIG. 10**



**FIG. 11**



**FIG. 12**

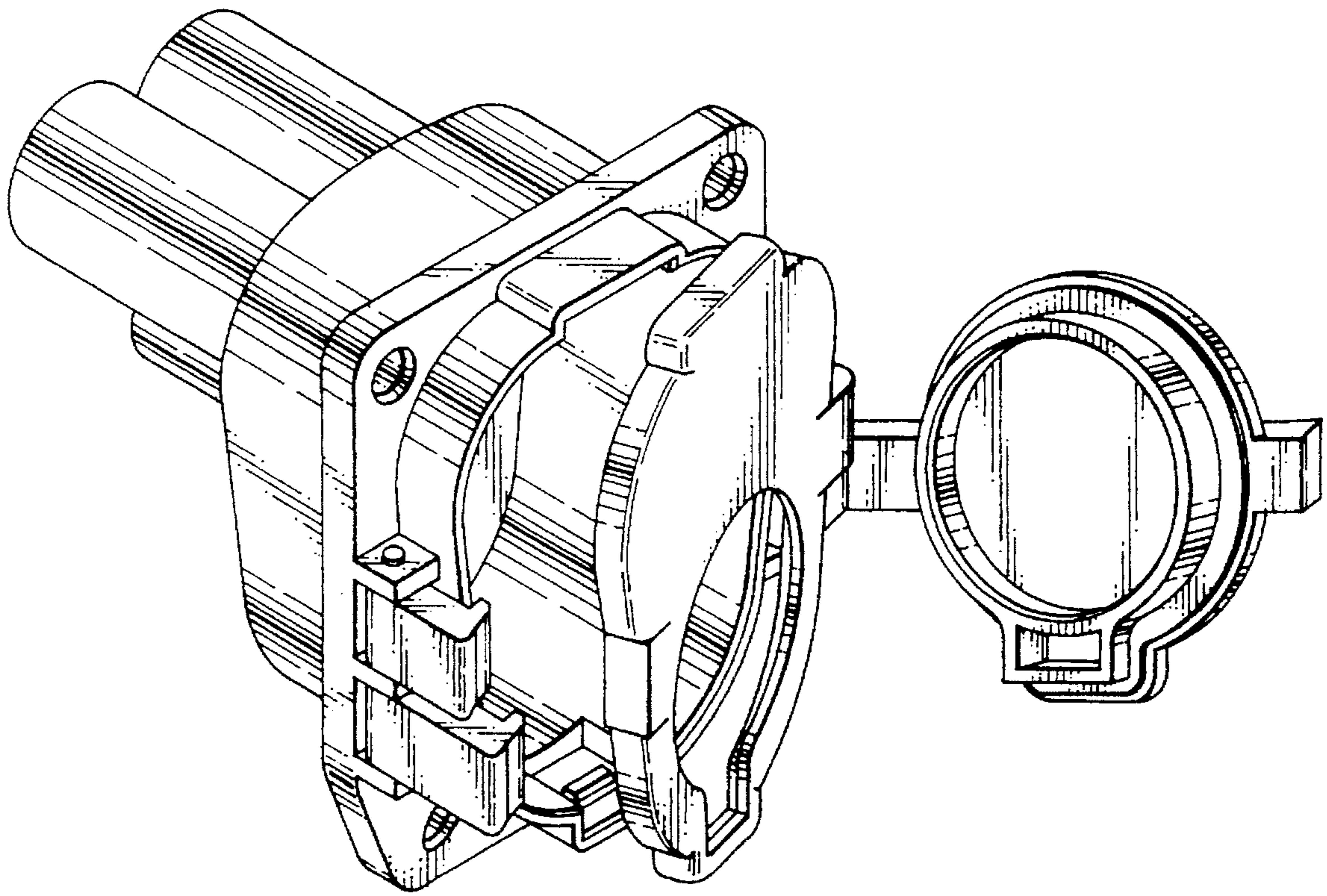


FIG. 13