



US00D367644S

United States Patent [19]

Fukao et al.

[11] Patent Number: **Des. 367,644**

[45] Date of Patent: ****Mar. 5, 1996**

[54] **ELECTRICAL RECEPTACLE FOR CHARGING PLUG**

4,138,187 2/1979 Brygger 439/142
4,245,875 1/1981 Shaffer et al. 439/144

[75] Inventors: **Yasuyoshi Fukao; Toshiyuki Sekimori; Hiromichi Kuno**, all of Toyota; **Nobuaki Yoshioka**, Shizuoka; **Toshiaki Hasegawa**, Shizuoka; **Shigemitsu Inaba**, Shizuoka, all of Japan

[73] Assignees: **Yazaki Sogyo K.K.; Toyota Jidosha K.K.**, Japan

[**] Term: **14 Years**

[21] Appl. No.: **20,085**

[22] Filed: **Mar. 18, 1994**

[30] **Foreign Application Priority Data**

Sep. 20, 1993 [JP] Japan 5-28067

[52] U.S. Cl. **D13/146; D13/156**

[58] Field of Search D13/146, 154, D13/156; 439/34, 35, 142, 144, 519, 521, 571, 573, 638

[56] **References Cited**

U.S. PATENT DOCUMENTS

D. 329,840 9/1992 Nociar D13/146
D. 344,490 2/1994 Nociar D13/146
3,315,131 4/1967 Klimak et al. 439/573 X
4,037,907 7/1977 Klimek et al. 439/142
4,072,381 2/1978 Burkhart et al. 439/503 X

OTHER PUBLICATIONS

“GT Series: GT/GTC Connectors”, JAE Catalog, pp. 12, 13 (with partial English translation), Jul., 1979.
“Connectors Guide”, JAE Catalog, pp. 14, 15 (with partial English translation), Jan., 1991.

Primary Examiner—Joel Sincavage
Attorney, Agent, or Firm—Saidman Design Law Group

[57] **CLAIM**

The ornamental design for an electrical receptacle for charging plug, as shown and described.

DESCRIPTION

FIG. 1 is a perspective view of an electrical receptacle for charging plug showing our new design;
FIG. 2 is the same view thereof as FIG. 1, but with the cover shown open;
FIG. 3 is a top plan view thereof;
FIG. 4 is a front elevational view thereof;
FIG. 5 is a rear elevational view thereof;
FIG. 6 is a bottom plan view thereof;
FIG. 7 is a right end elevational view thereof;
FIG. 8 is a left end elevational view thereof;
FIG. 9 is a front elevational view thereof with the cover open; and,
FIG. 10 is a rear and lower left perspective view thereof.

1 Claim, 7 Drawing Sheets

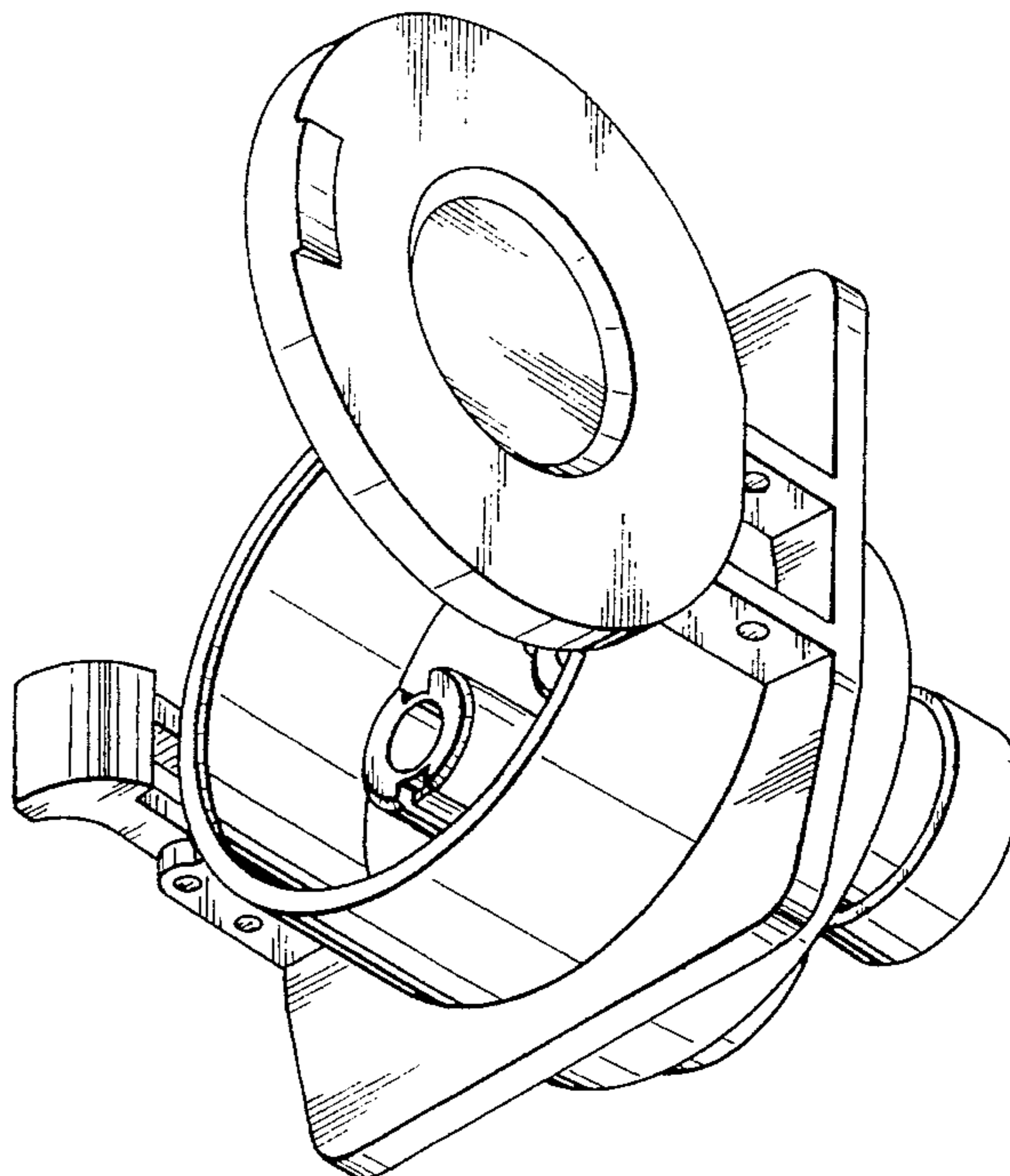
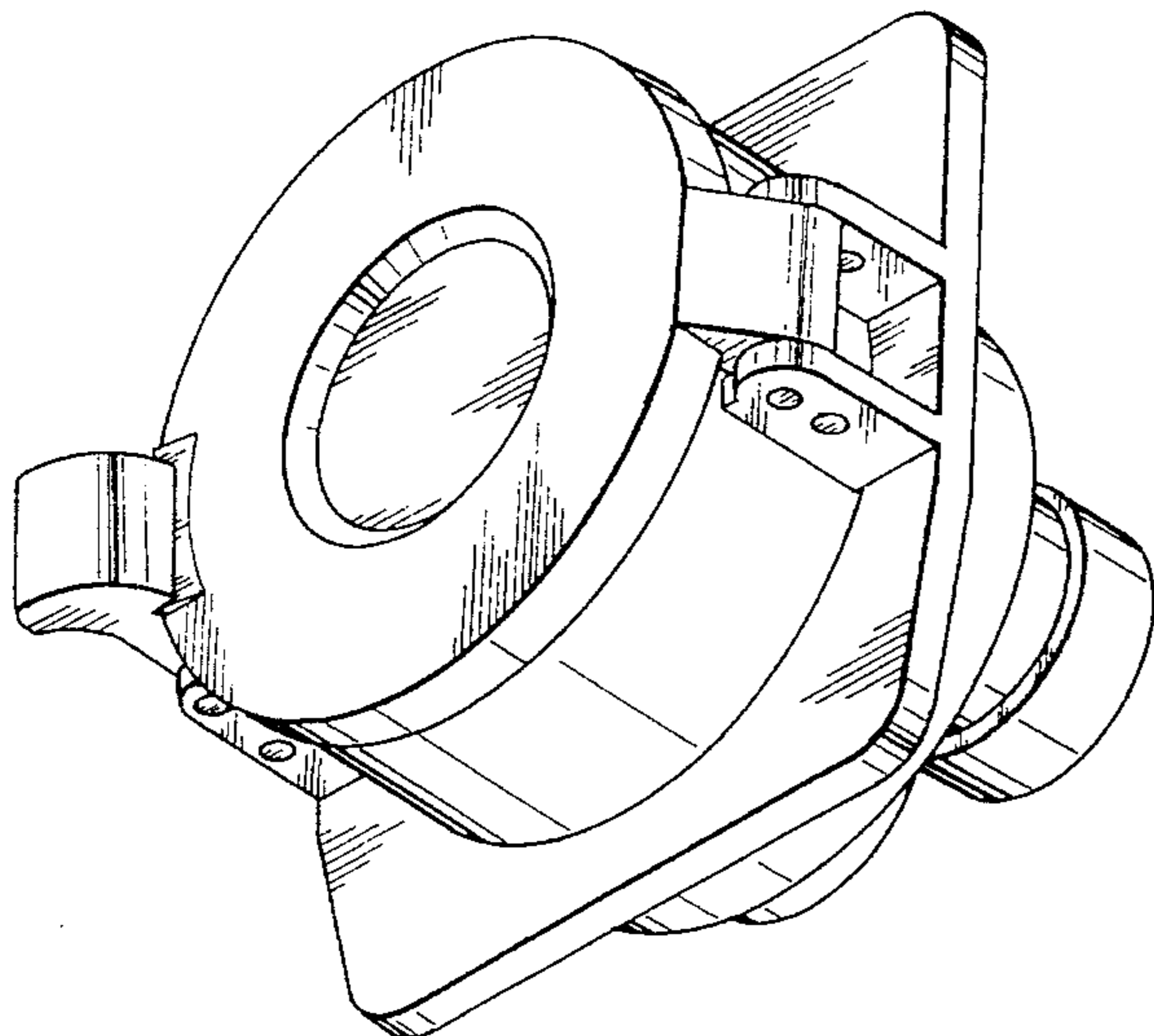


FIG. 1

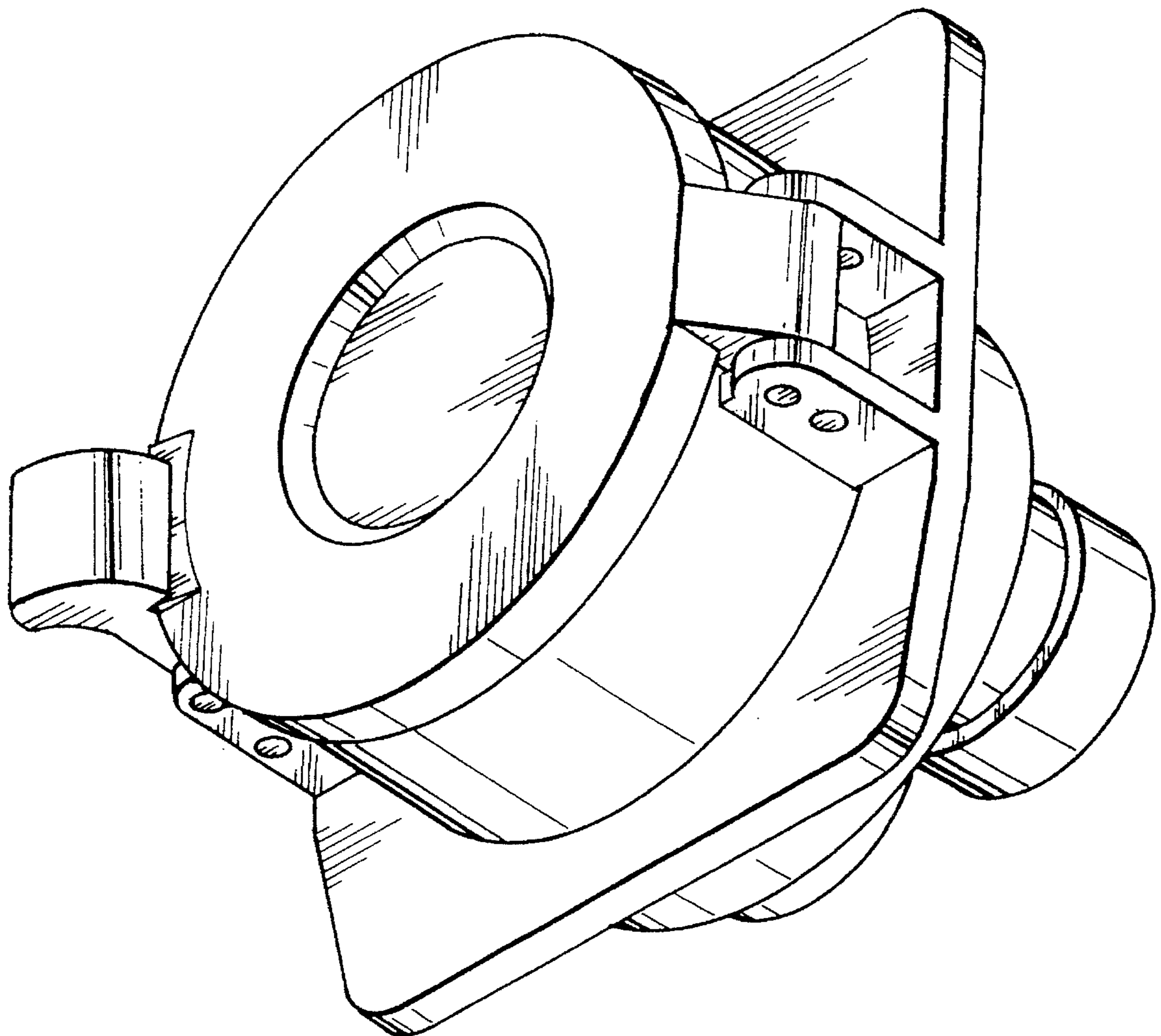


FIG. 2

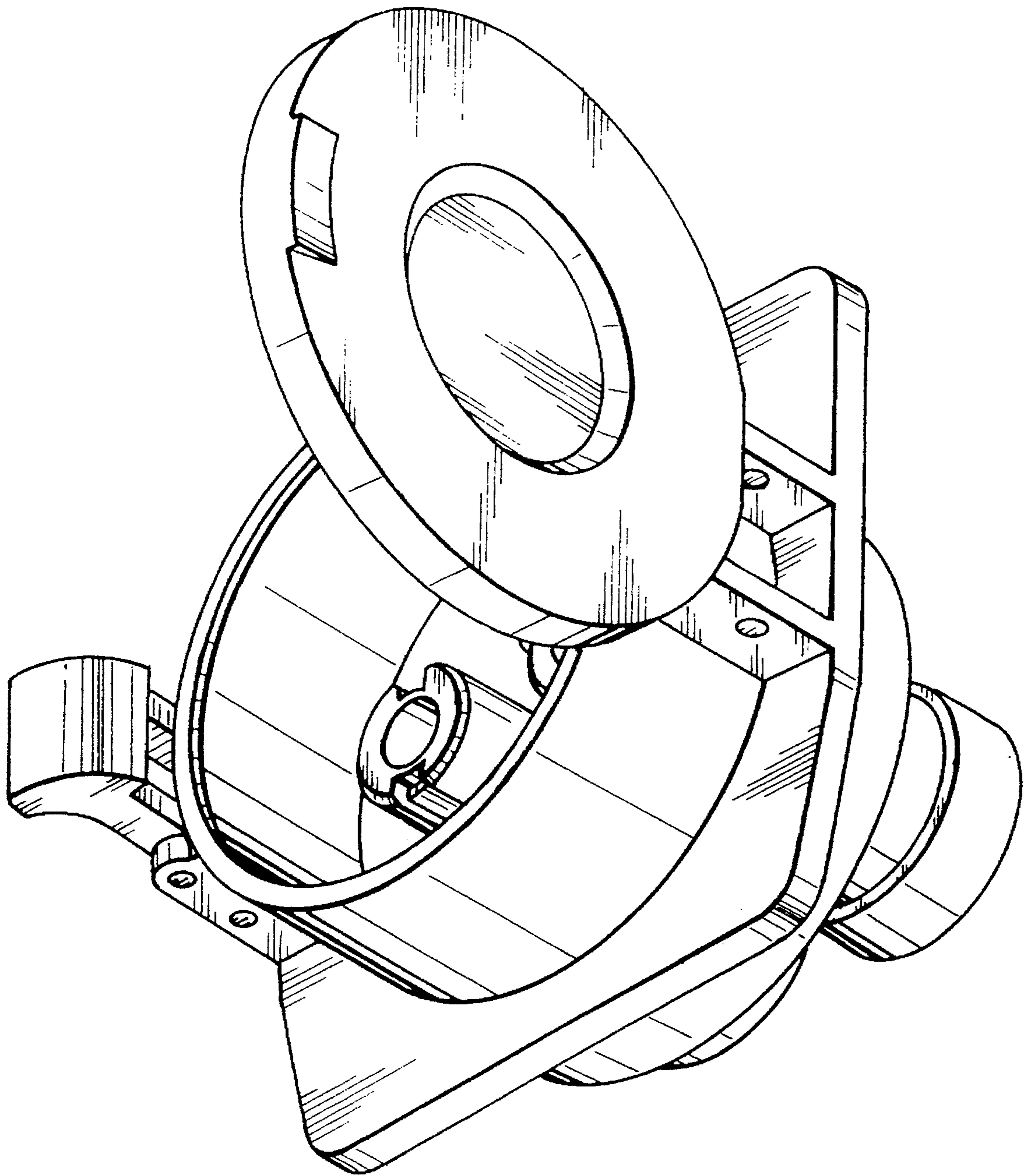


FIG. 3

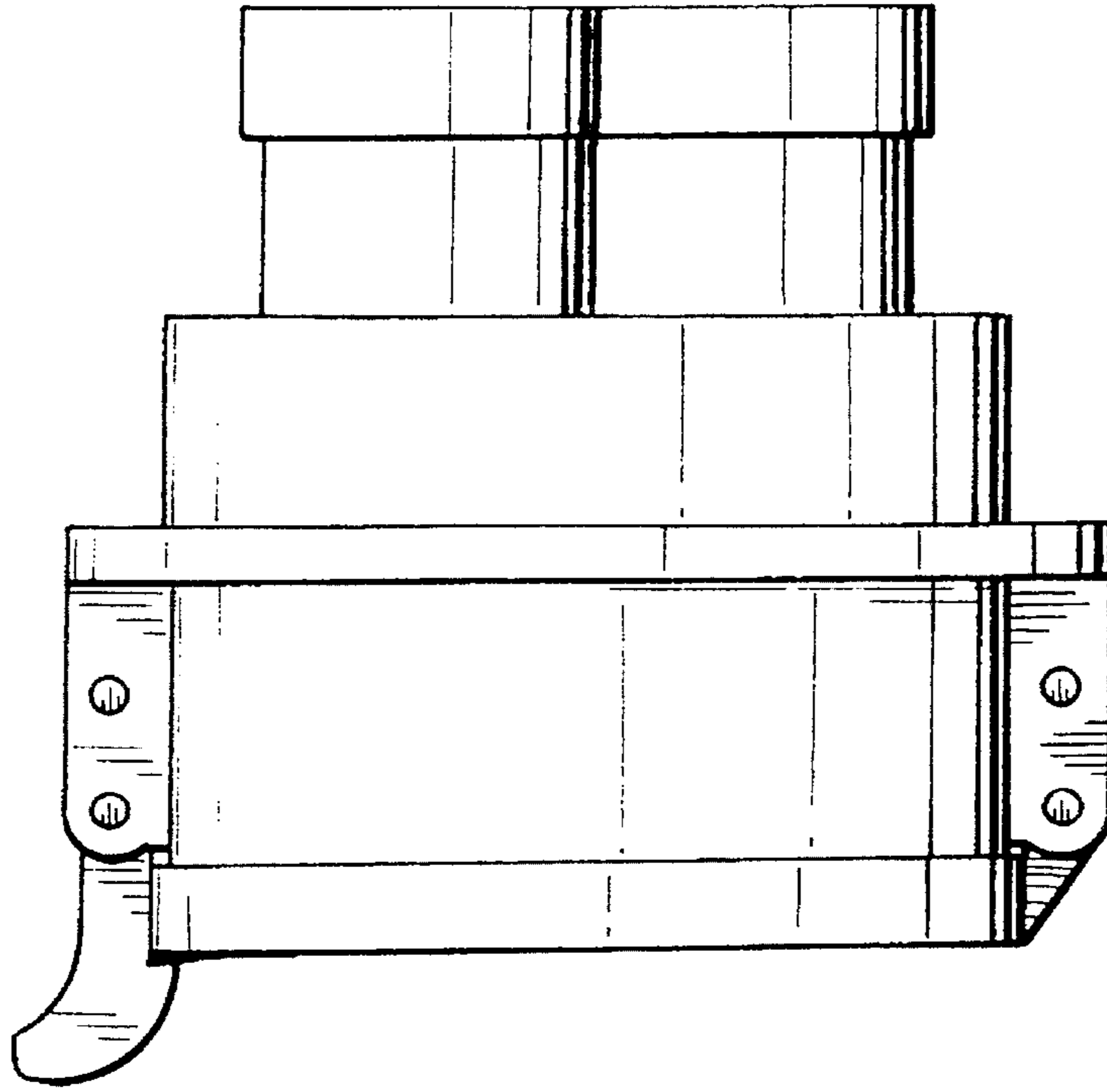


FIG. 6

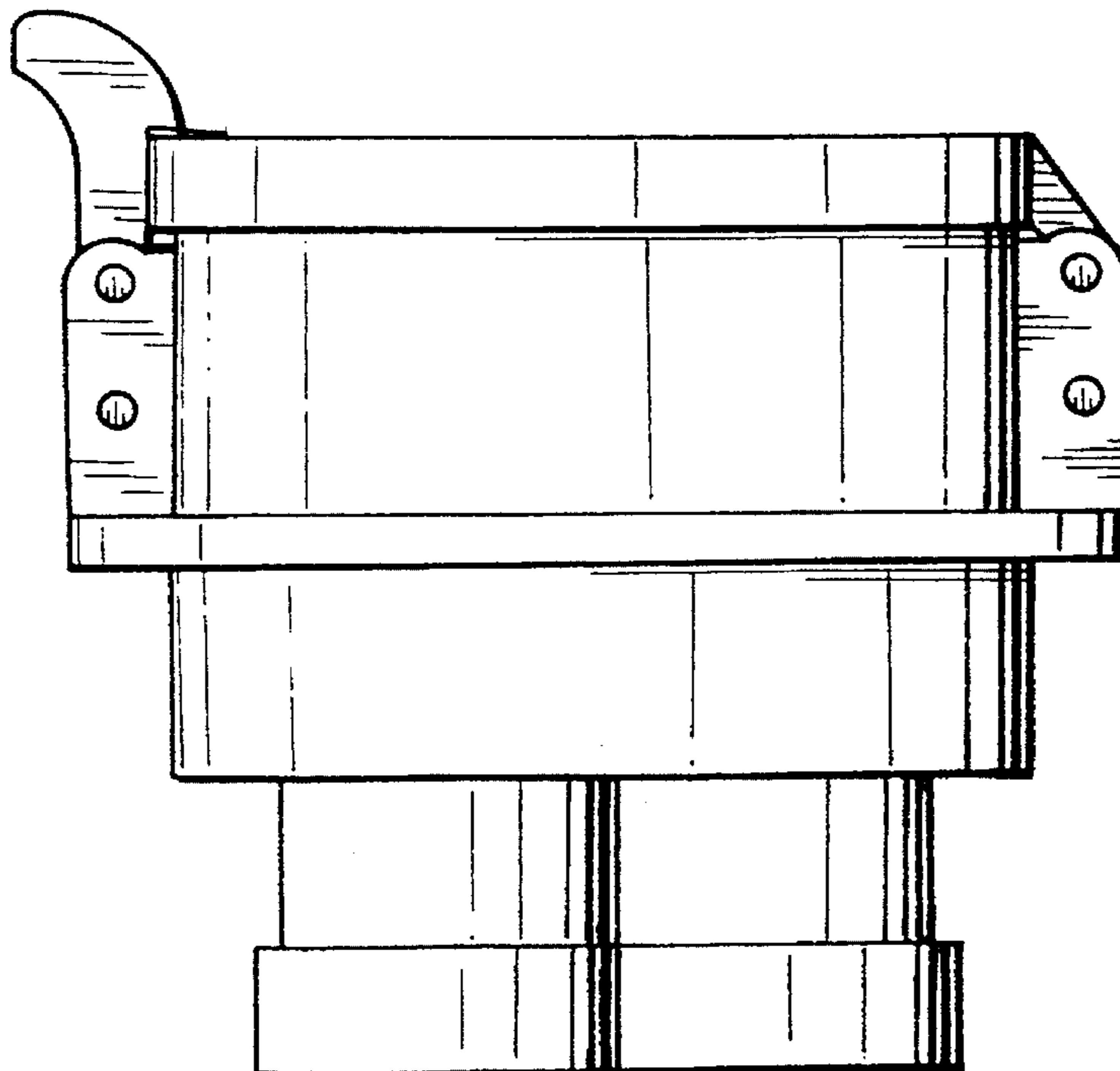


FIG. 4

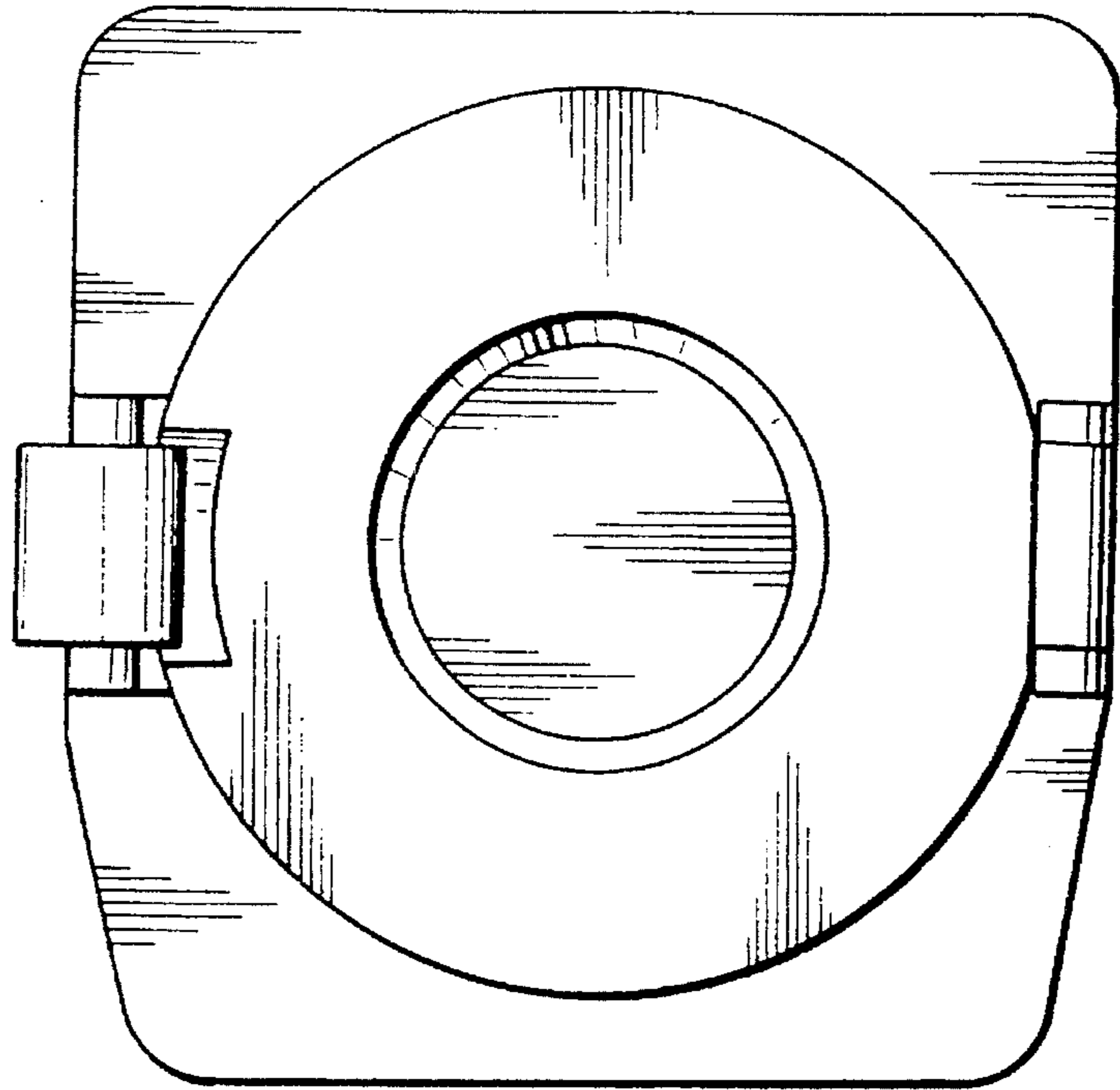


FIG. 5

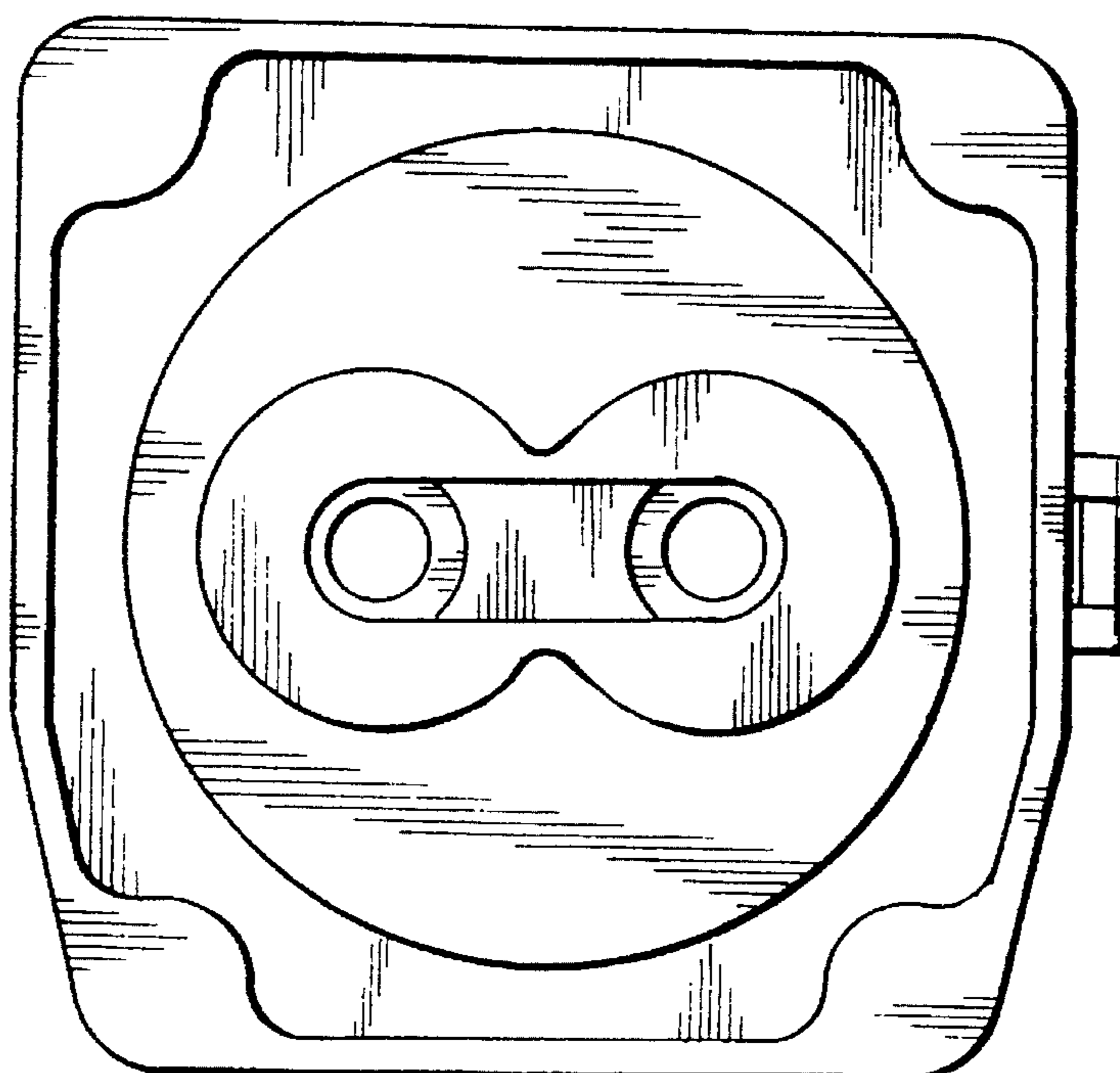


FIG. 7

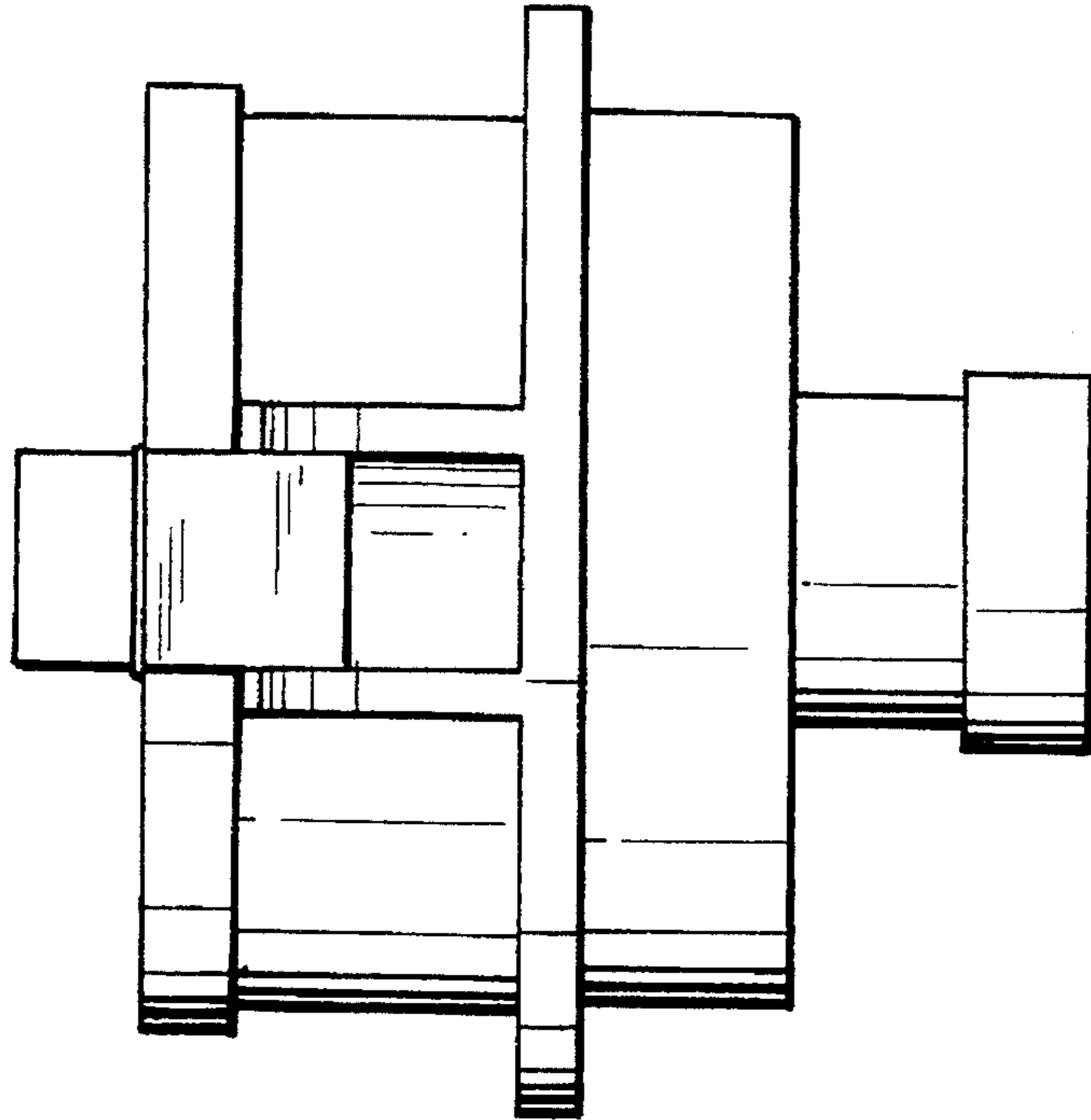


FIG. 8

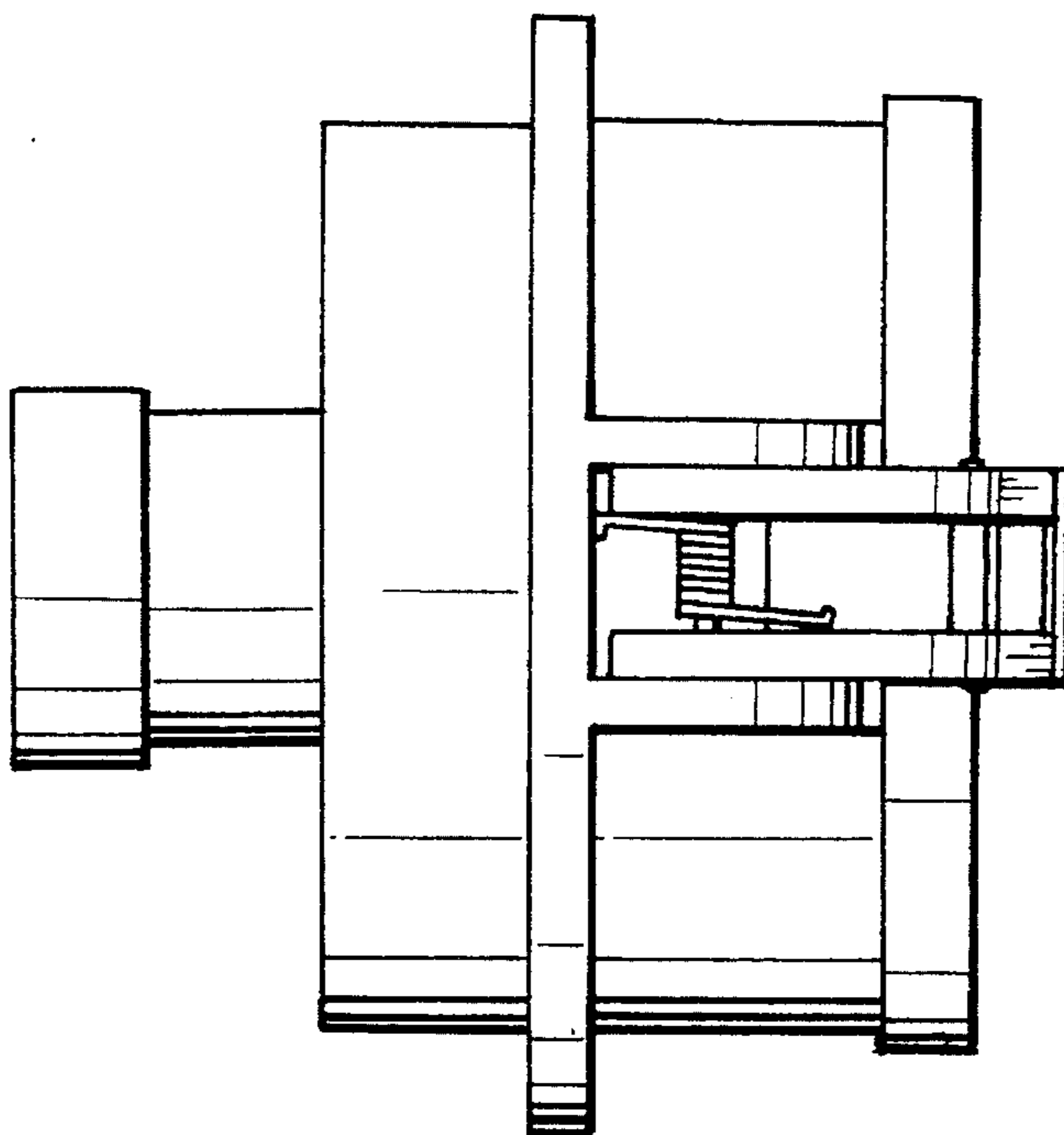


FIG. 9

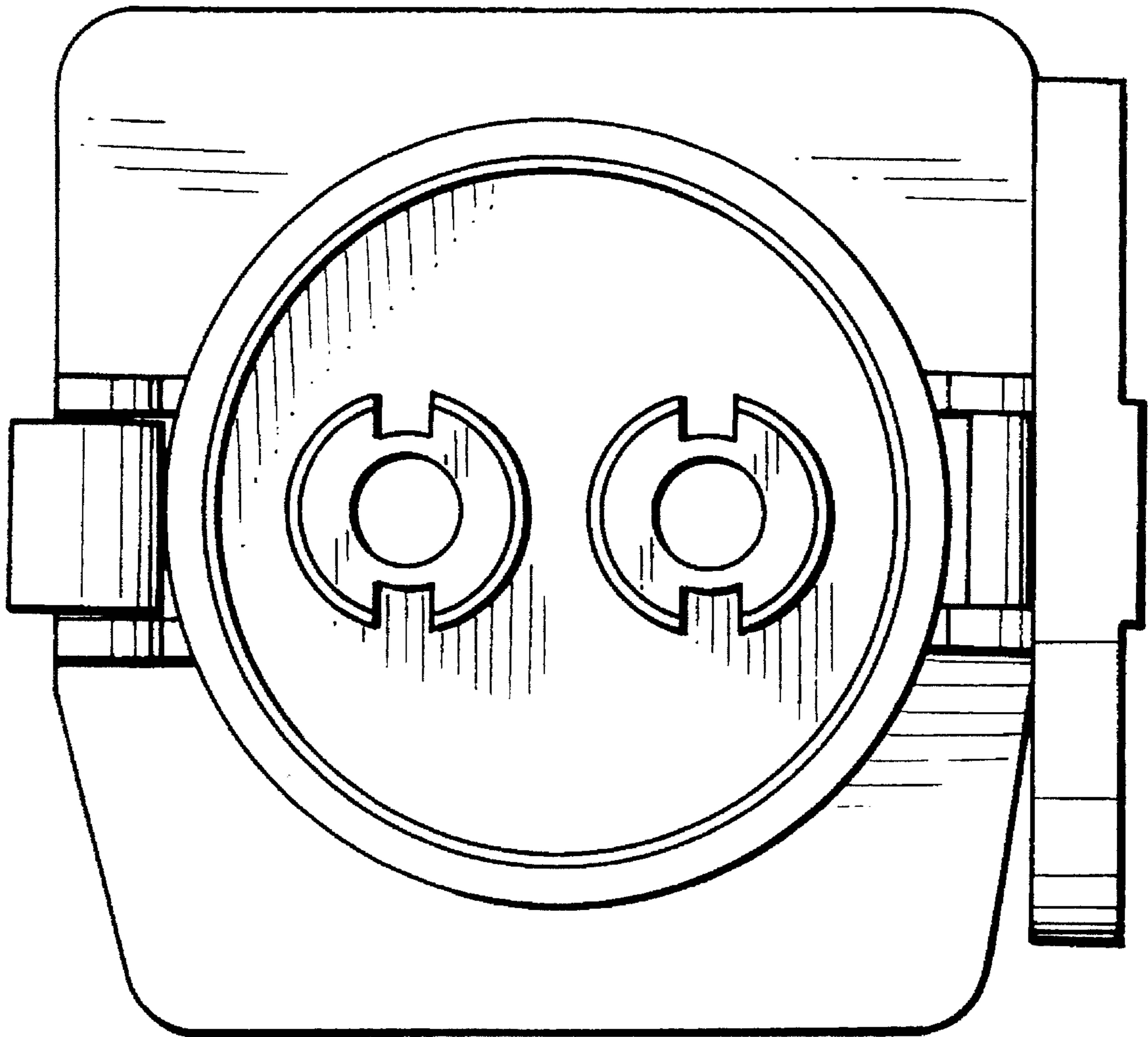


FIG. 10

