



US00D367643S

# United States Patent [19]

[11] Patent Number: **Des. 367,643**

Vardell

[45] Date of Patent: **\*\*Mar. 5, 1996**

[54] **MULTI-OUTLET ELECTRICAL RECEPTACLE**

[76] Inventor: **William A. Vardell**, 602 Old Canyon Rd., Jonesboro, Ark. 72401

[\*\*] Term: **14 Years**

[21] Appl. No.: **18,318**

[22] Filed: **Feb. 3, 1994**

[52] U.S. Cl. .... **D13/143**

[58] Field of Search ..... D13/137, 139, D13/143; 439/107, 225, 391, 425, 426, 465, 466, 484, 533, 535, 540, 650, 658, 687, 691, 694; 174/53

[56] **References Cited**

**U.S. PATENT DOCUMENTS**

D. 340,909	11/1993	Ip	.....	D13/143	X
2,088,845	8/1937	De Mask	.....	174/48	X
2,515,256	7/1950	O'Brien et al.	.....	174/52	X
2,810,895	10/1957	Odegaard	.....	439/650	
2,932,000	4/1960	Buchanan	.....	439/658	X
3,019,357	1/1962	Zaffina	.....	479/650	X
3,022,485	2/1962	Buchanan	.....	174/53	X
3,299,391	1/1967	Herrmann et al.	.....	439/300	X

3,584,213	6/1971	Meltzer	.....	439/476	X
4,099,824	7/1978	Schoppelrey	.....	439/505	
4,749,367	6/1988	Fraser	.....	439/425	X
4,954,940	9/1990	Chandler et al.	.....	439/687	X

*Primary Examiner*—Joel Sincavage  
*Attorney, Agent, or Firm*—Terry M. Gernstein

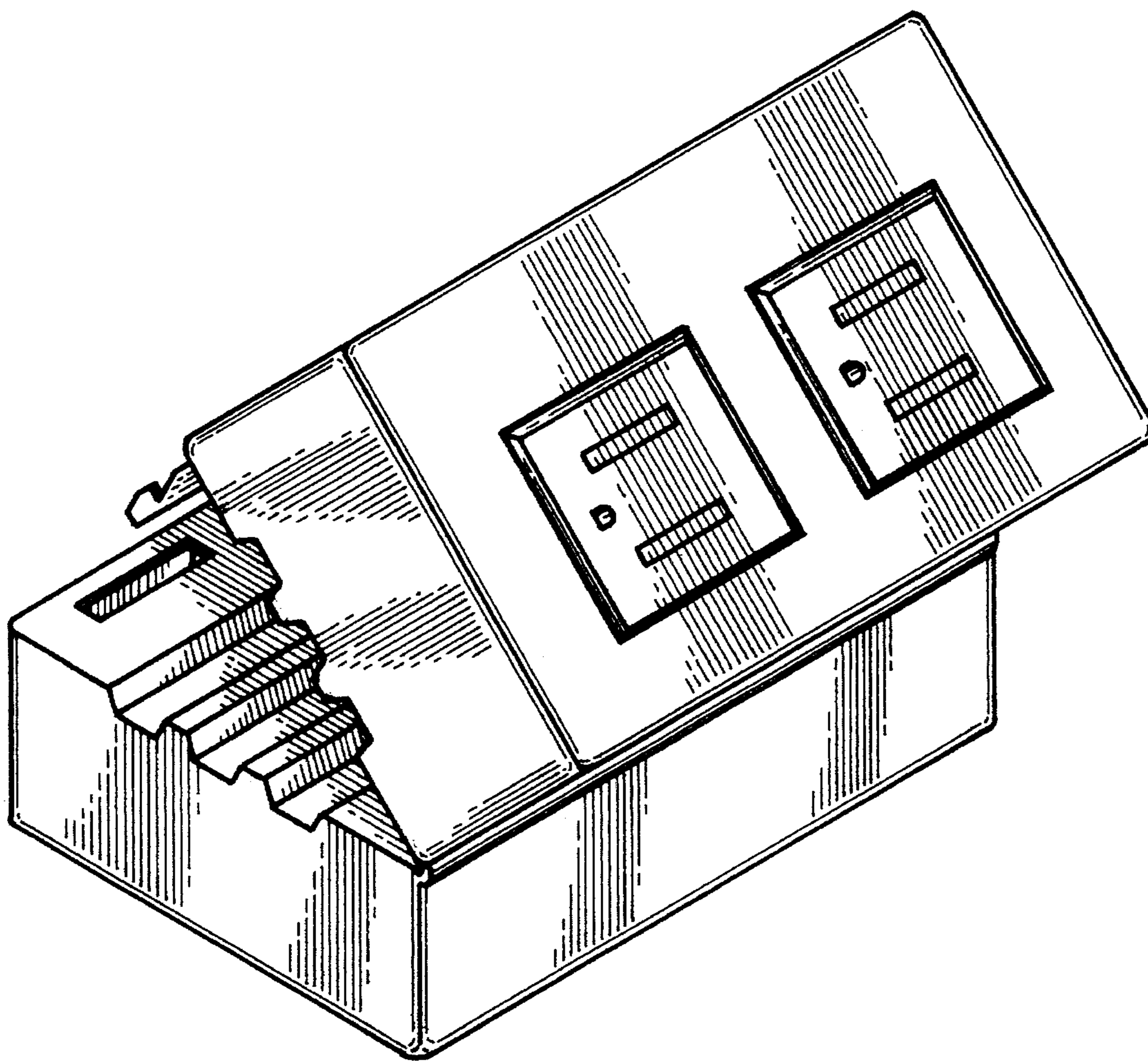
[57] **CLAIM**

The ornamental design for a multi-outlet electrical receptacle, as shown and described.

**DESCRIPTION**

FIG. 1 is a front, top and side perspective view of the multi-outlet electrical receptacle embodying the design of the present invention;  
 FIG. 2 is a front elevational view thereof;  
 FIG. 3 is a rear elevational view thereof;  
 FIG. 4 is a side elevational view thereof, the side opposite being a mirror image of the side shown in FIG. 4;  
 FIG. 5 is a top plan view thereof;  
 FIG. 6 is a bottom plan view thereof;  
 FIG. 7 is a perspective view thereof in the open condition; and,  
 FIG. 8 is a perspective view thereof, in the open condition.

**1 Claim, 5 Drawing Sheets**



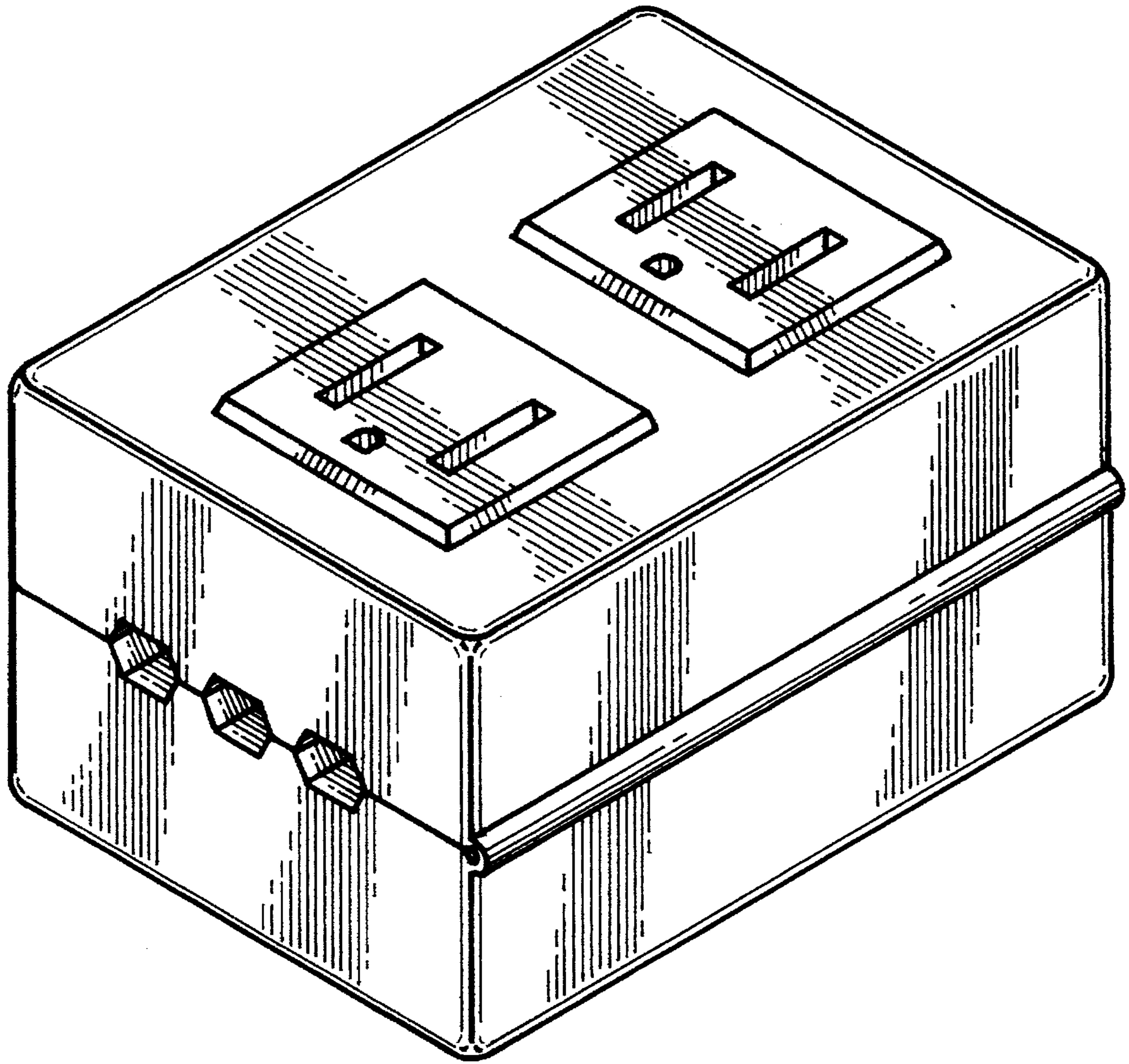


FIG. 1

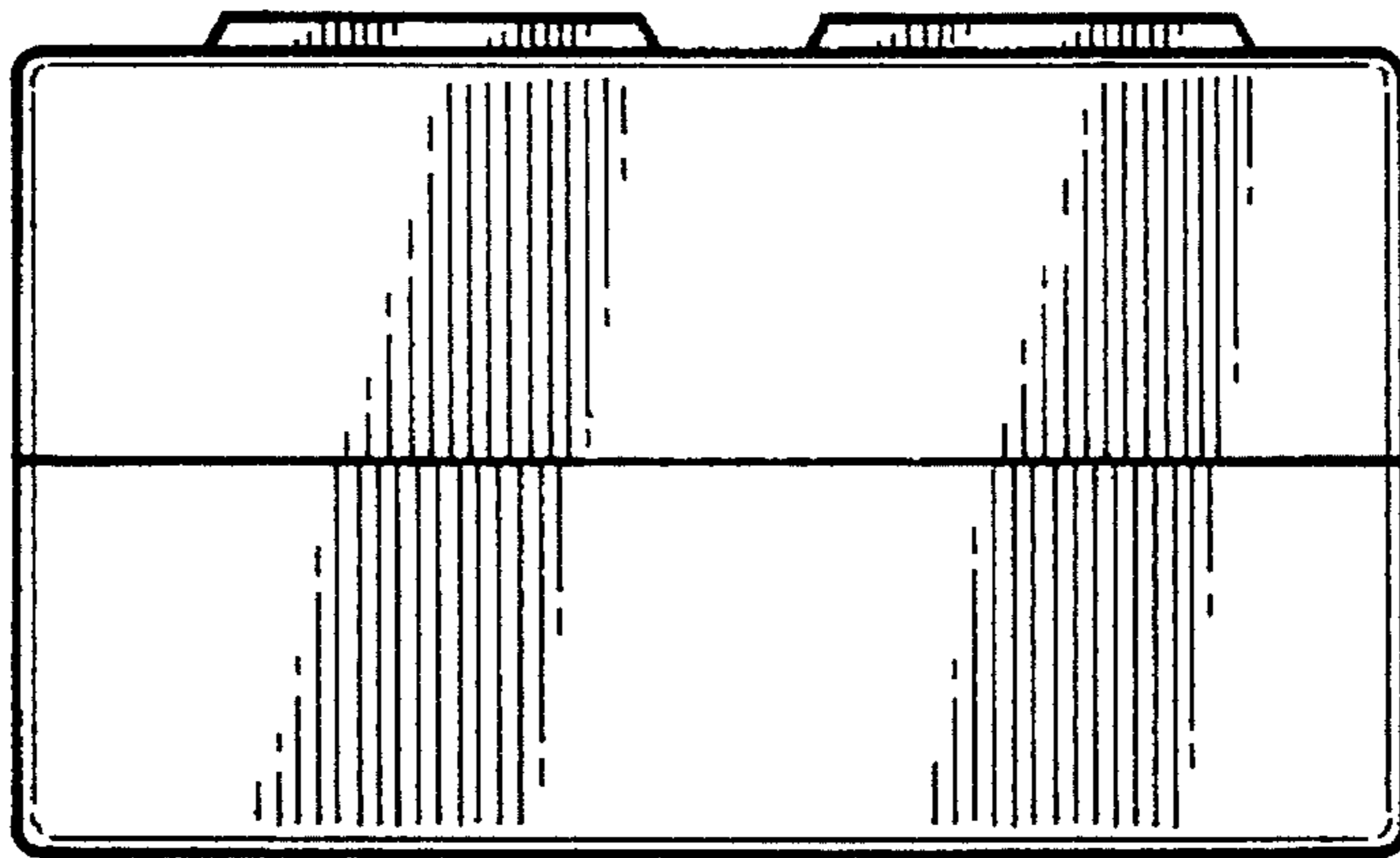


FIG. 2

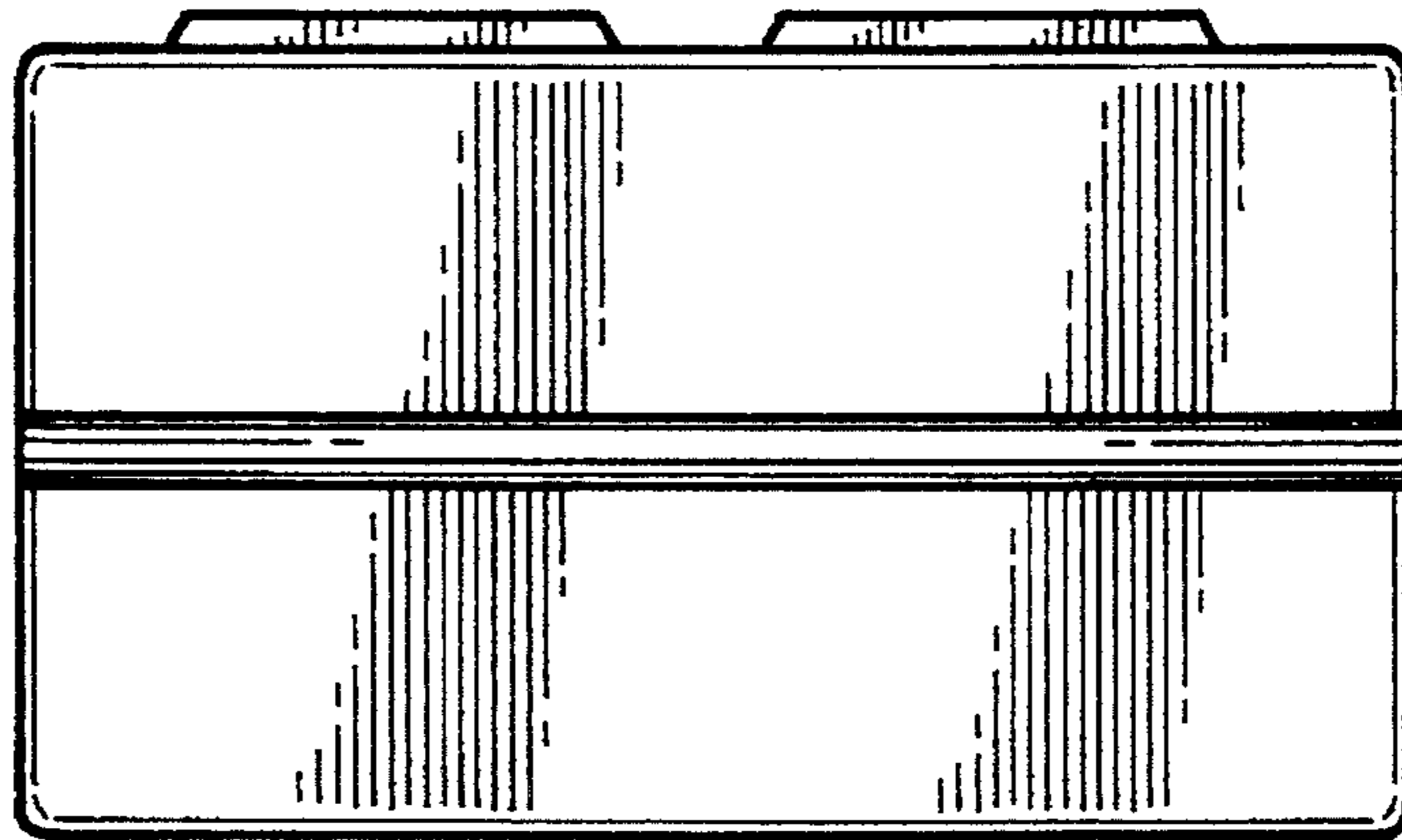


FIG. 3

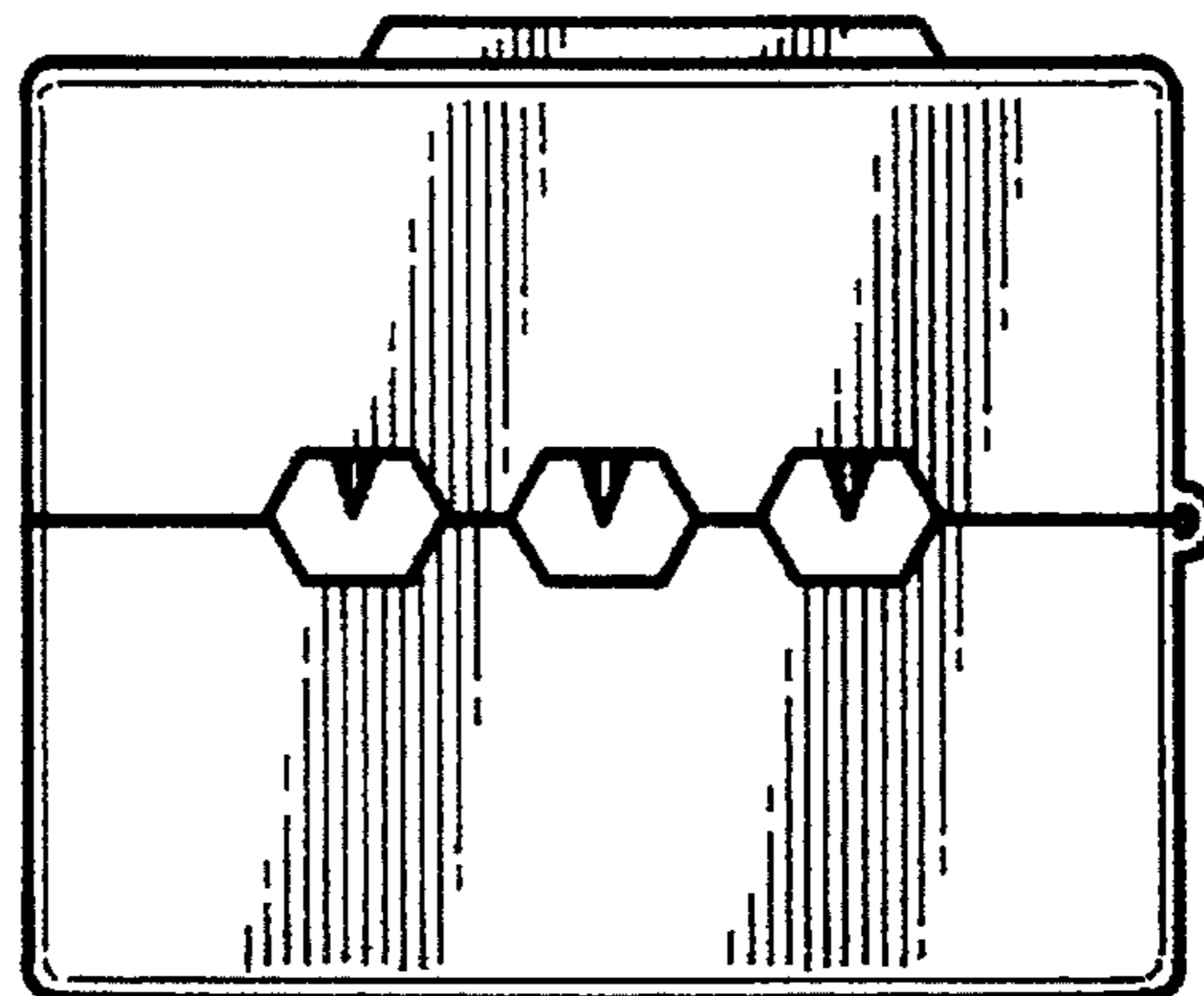


FIG. 4

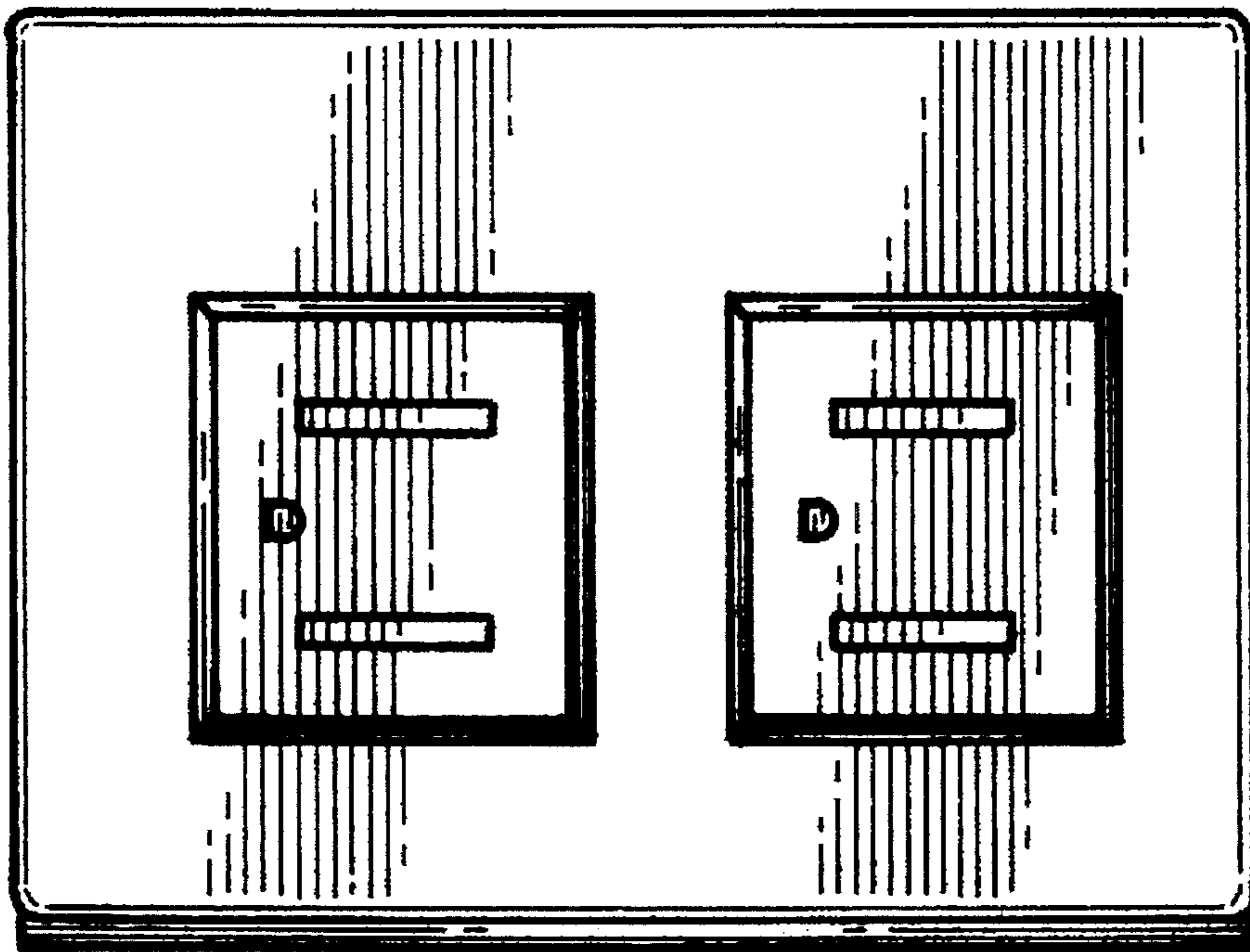


FIG. 5

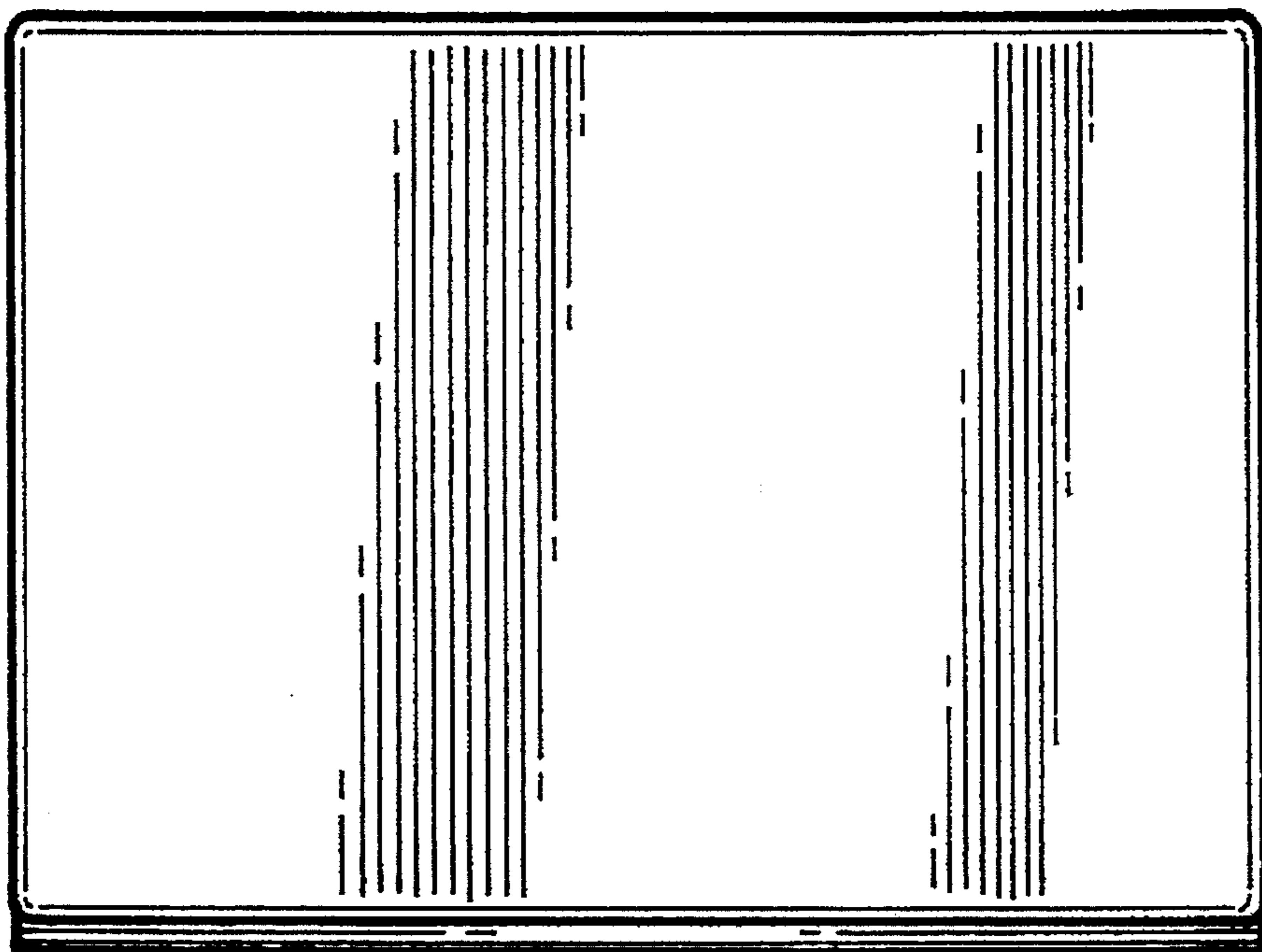


FIG. 6

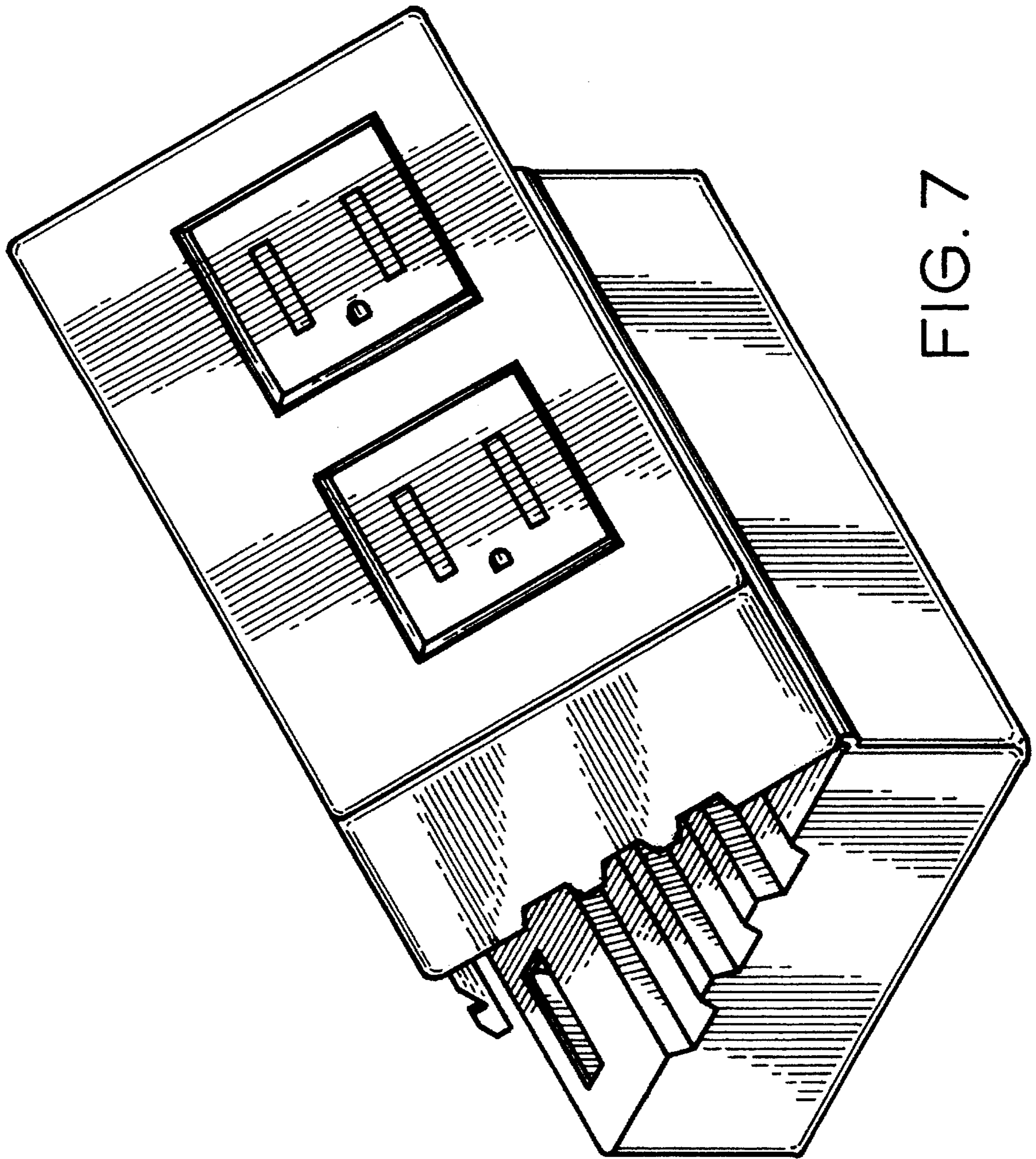


FIG. 7

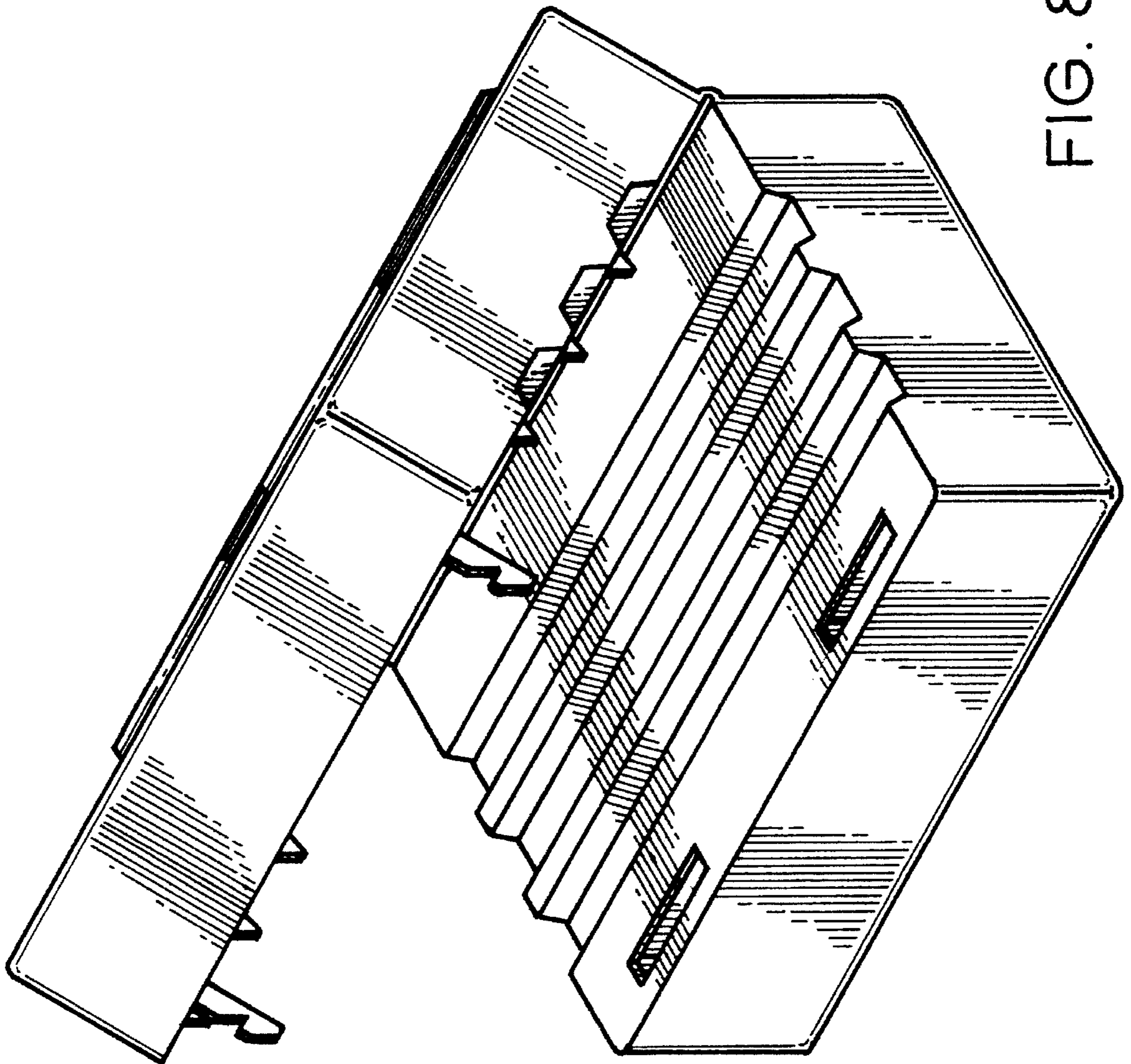


FIG. 8