



US00D367641S

United States Patent [19]

[11] Patent Number: **Des. 367,641**

Ho

[45] Date of Patent: ****Mar. 5, 1996**

[54] **BATTERY CHARGER FOR PORTABLE TELEPHONE**

D. 350,540 9/1994 Hyvonen D13/108 X
D. 361,069 8/1995 Hellier et al. D13/108 X

[75] Inventor: **Chao-Wei Ho**, Taipei, Taiwan

Primary Examiner—Joel Sincavage
Attorney, Agent, or Firm—Browdy and Neimark

[73] Assignee: **Toptronic Industrial Co., Ltd.**, Taipei, Taiwan

[57] **CLAIM**

[**] Term: **14 Years**

The ornamental design for a battery charger for portable telephone, as shown and described.

[21] Appl. No.: **35,422**

DESCRIPTION

[22] Filed: **Feb. 27, 1995**

[52] U.S. Cl. **D13/108**

[58] Field of Search D13/107, 108;
D14/138, 151; 320/2, 3, 4, 15, 21; 379/61

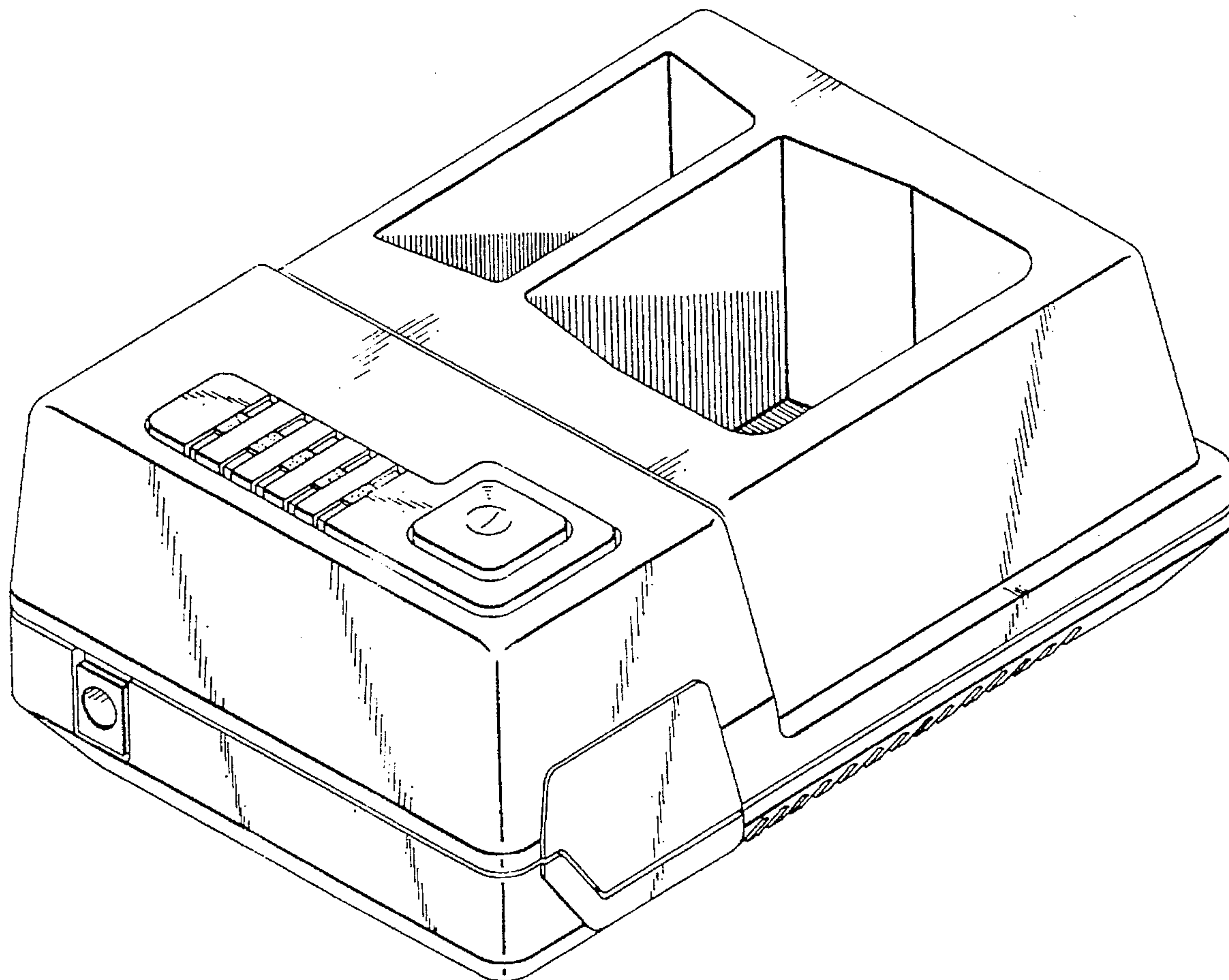
FIG. 1 shows a perspective view of the present design;
FIG. 2 shows a top plan view of the present design;
FIG. 3 shows a bottom plan view of the present design;
FIG. 4 shows a left elevational view of the present design;
FIG. 5 shows a right elevational view of the present design;
FIG. 6 shows a front elevational view of the present design;
and,
FIG. 7 shows a rear elevational view of the present design.

[56] **References Cited**

U.S. PATENT DOCUMENTS

D. 328,277 7/1992 Leman et al. D13/108
D. 328,889 8/1992 Seki D13/108
D. 349,097 7/1994 Watnabe D13/108

1 Claim, 3 Drawing Sheets



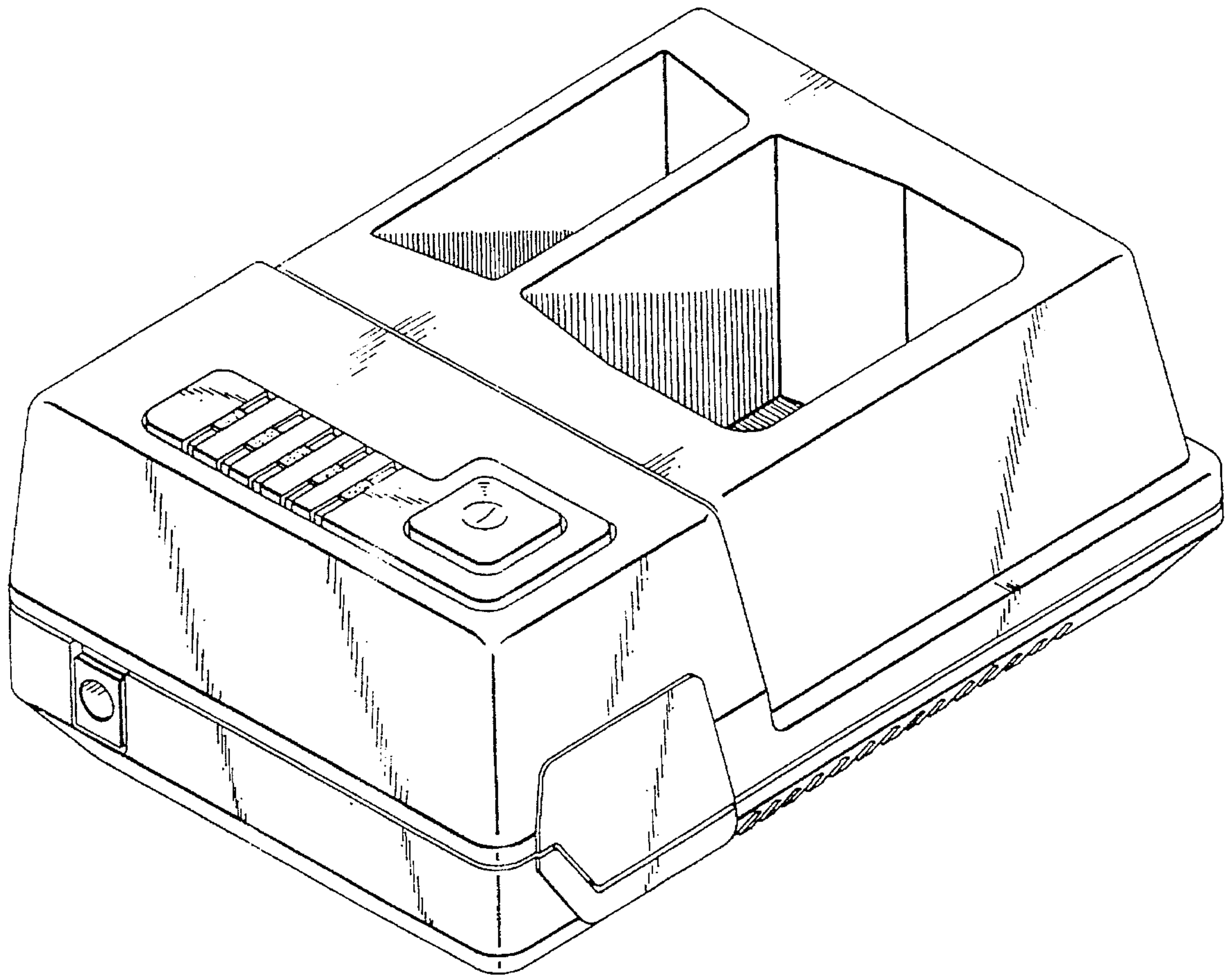


FIG. 1

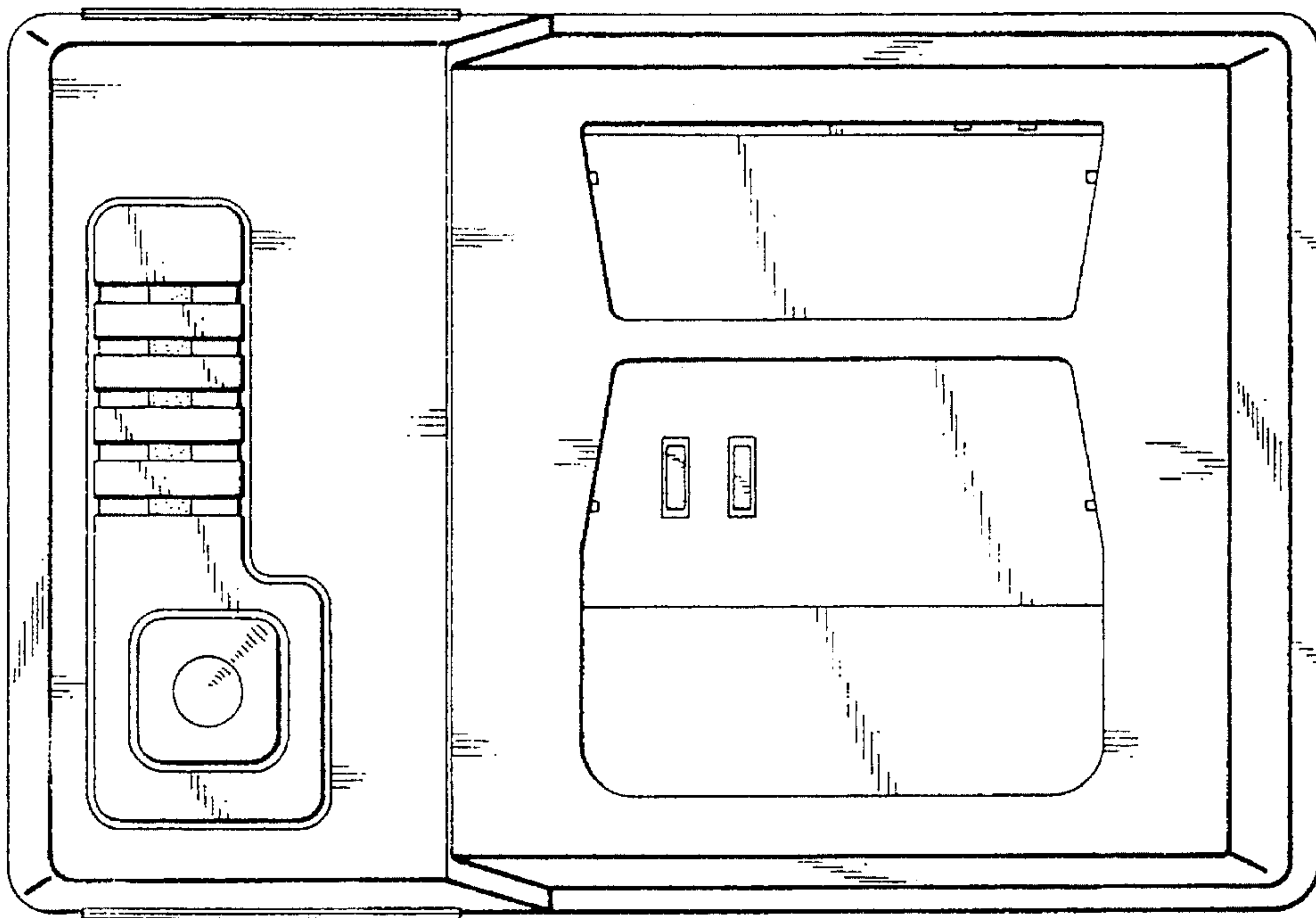


FIG. 2

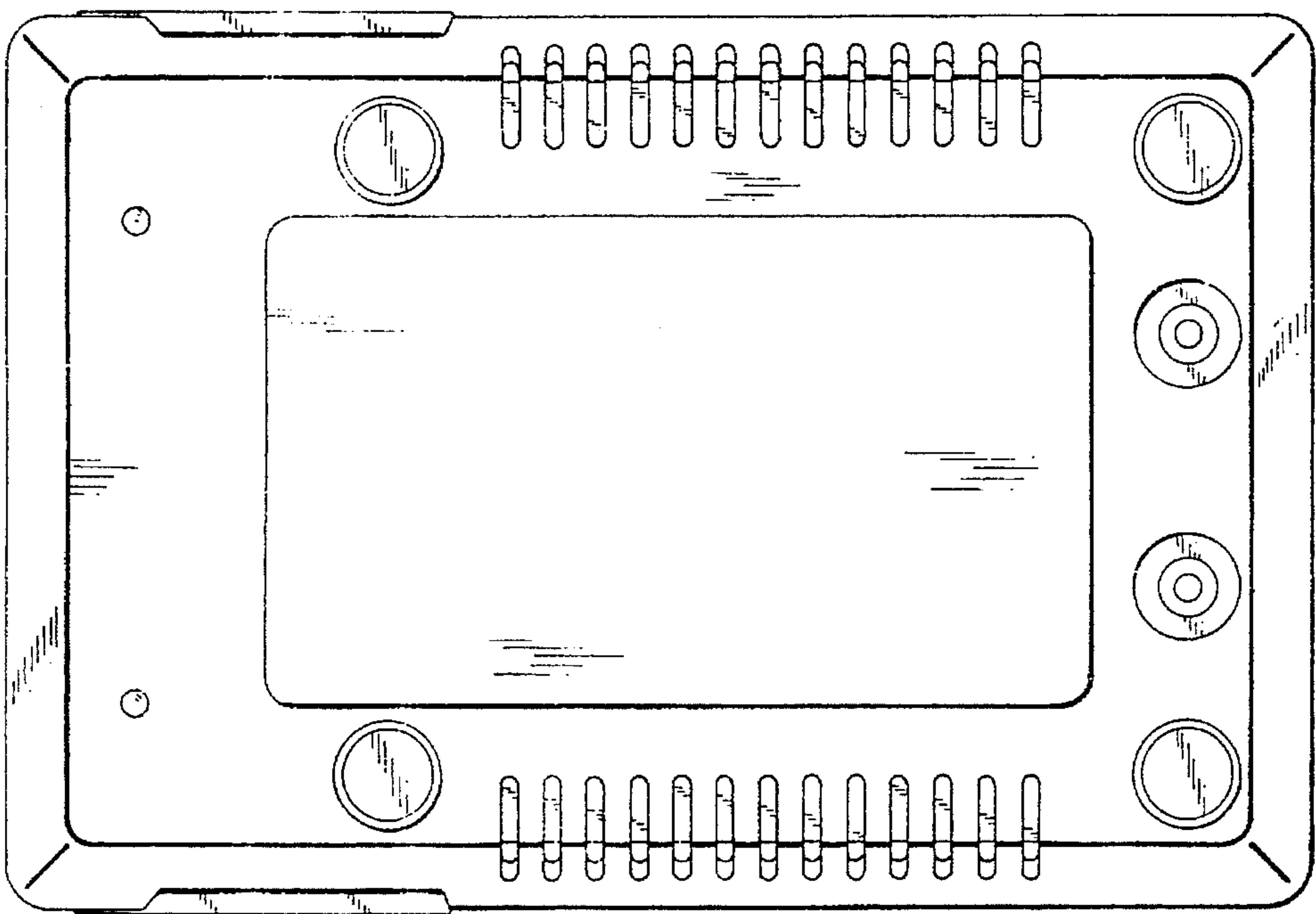


FIG. 3

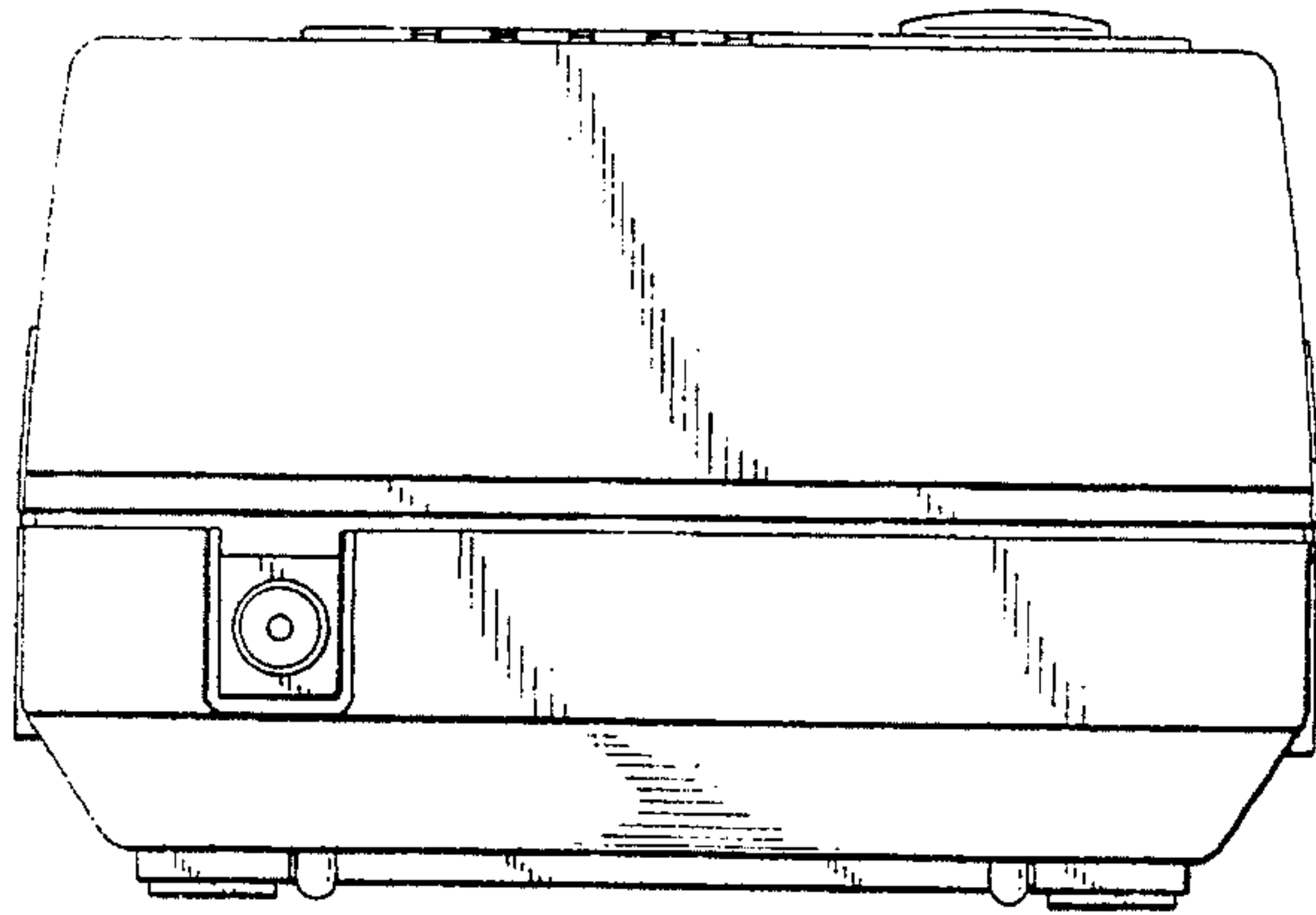


FIG. 4

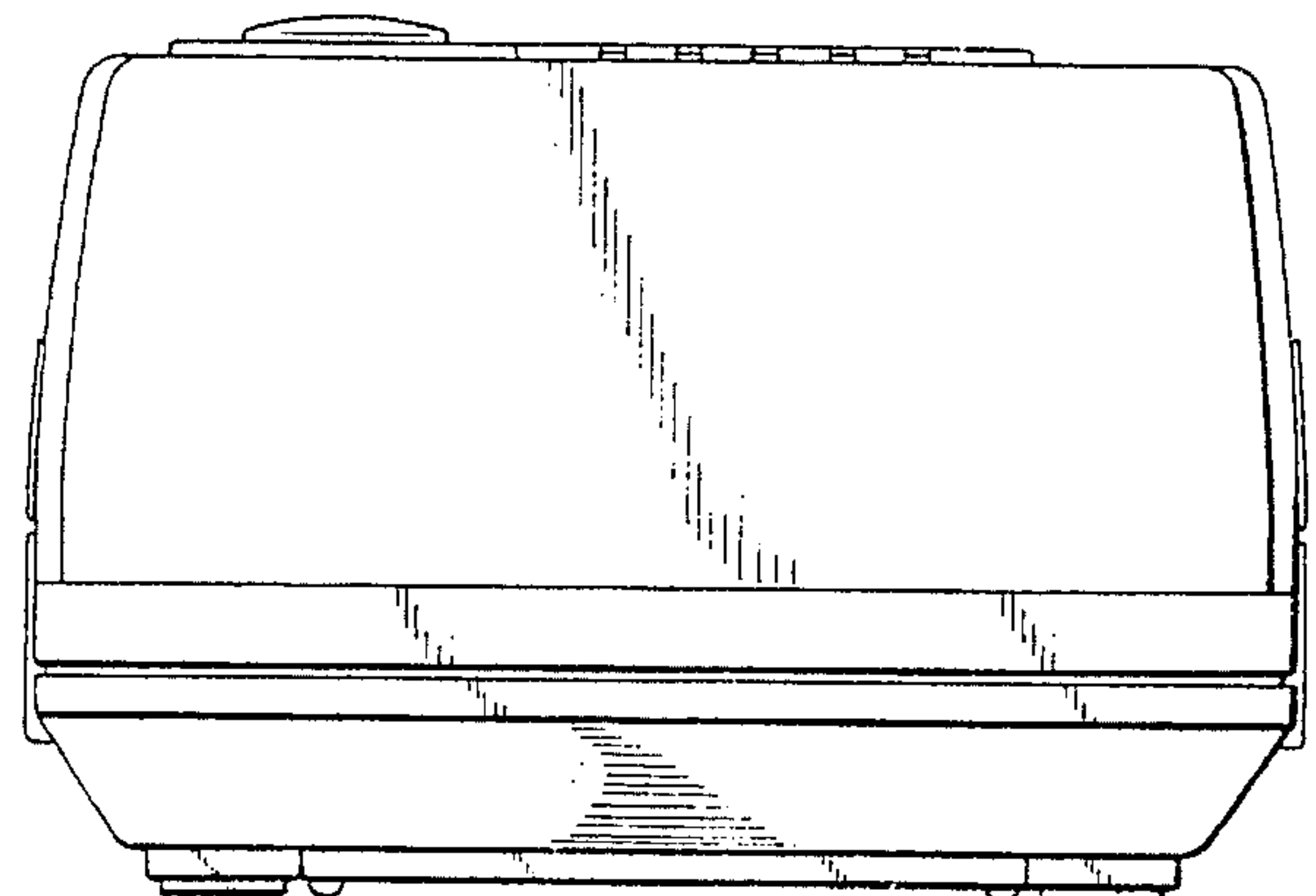


FIG. 5

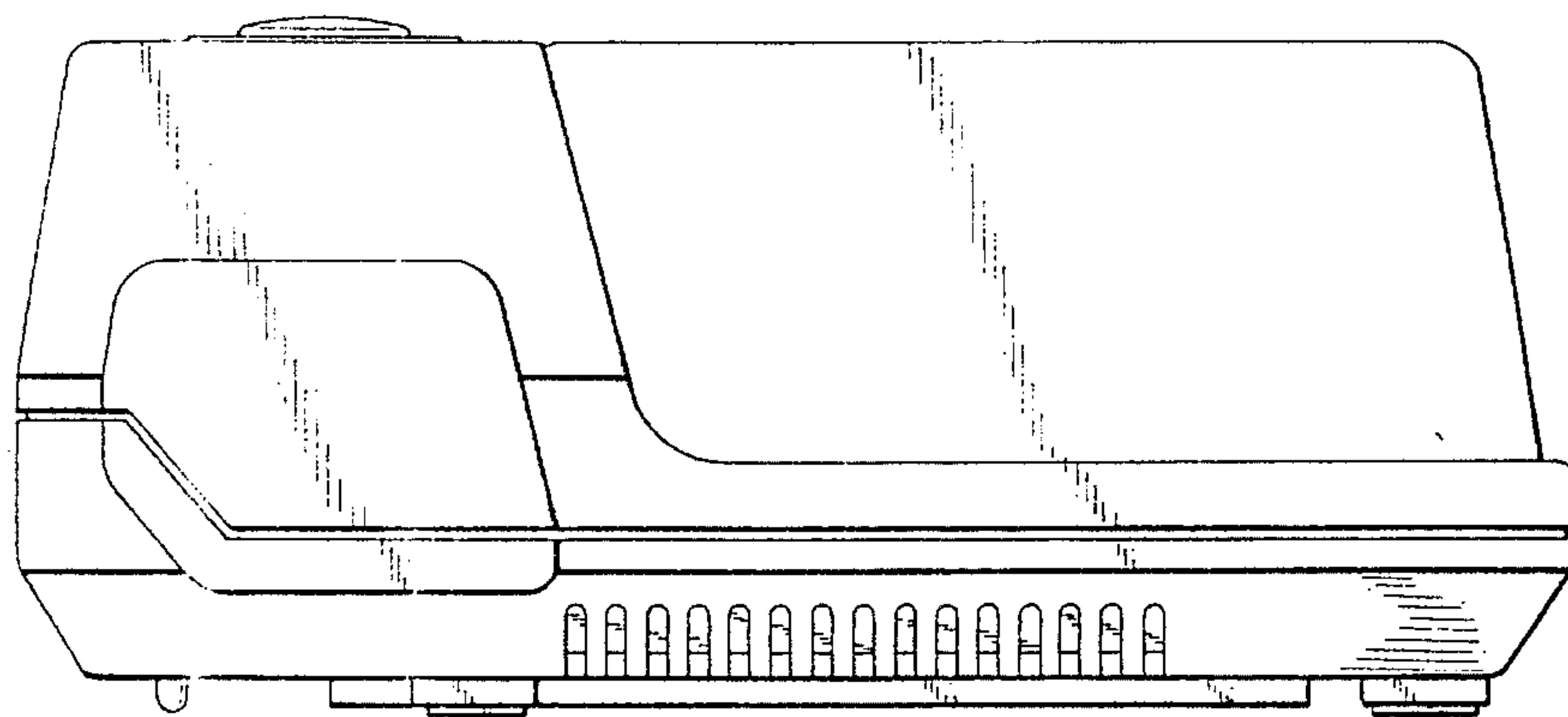


FIG. 6

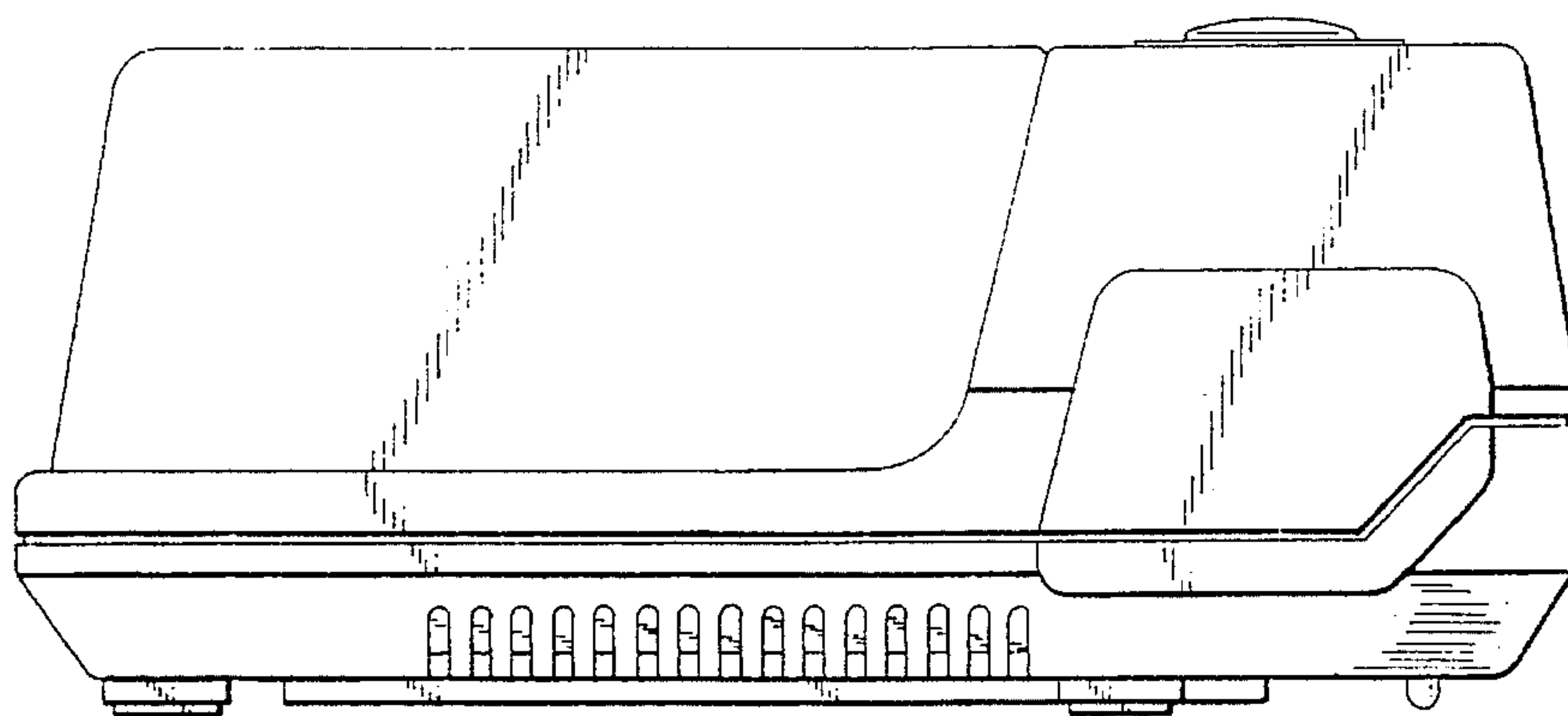


FIG. 7