



US00D367634S

United States Patent [19]

[11] Patent Number: **Des. 367,634**

White

[45] Date of Patent: ****Mar. 5, 1996**

[54] **VANITY MIRROR AND COVER FOR A VEHICULAR SUN VISOR**

4,948,240	8/1990	Zipperle	350/606
4,953,064	8/1990	Viertel et al.	362/74
4,961,608	10/1990	Nash	296/97.5
5,054,839	10/1991	White et al.	296/97.1
5,061,003	10/1991	Gabas	296/97.1
5,143,678	9/1992	Prillard	264/255
5,188,446	2/1993	Miller	362/83.1
5,205,639	4/1993	White et al.	362/137
5,301,994	4/1995	Wilson	296/97.5

[75] Inventor: **Jay R. White**, Bloomfield Hills, Mich.

[73] Assignee: **Jay Roberts Company**, Bloomfield Hills, Mich.

[**] Term: **14 Years**

[21] Appl. No.: **30,399**

[22] Filed: **Oct. 28, 1994**

FOREIGN PATENT DOCUMENTS

2429685	1/1980	France	296/97.5
2483858	12/1981	France	296/97.5
3324169	1/1985	Germany	296/97.5

Related U.S. Application Data

[62] Division of Ser. No. 16,124, Dec. 8, 1993, Pat. No. Des. 356,771.

[52] U.S. Cl. **D12/191**

[58] Field of Search D12/187-188, D12/191, 417; 296/97.1, 97.2, 97.5; 224/312; 359/844, 850

Primary Examiner—Brian N. Vinson

Attorney, Agent, or Firm—Gifford, Krass, Groh, Sprinkle, Patmore, Anderson & Citkowski

[57] CLAIM

The ornamental design of a vanity mirror and cover for a vehicular sun visor, as shown and described.

[56] References Cited

U.S. PATENT DOCUMENTS

D. 300,919	5/1989	Svensson	D12/191
4,511,954	4/1985	Marcus et al.	362/275
4,564,234	1/1986	Kaiser et al.	296/97 H
4,648,011	3/1987	Boote et al.	362/135
4,653,798	3/1987	White et al.	296/97 H
4,791,537	12/1988	Fisher et al.	362/135
4,809,140	2/1989	Jonsas	362/74
4,858,983	8/1989	White et al.	296/97.13
4,866,579	9/1989	Miller et al.	362/144
4,922,391	5/1990	Dykstra	362/144

DESCRIPTION

FIG. 1 is a perspective view of a vanity mirror and cover for a vehicular sun visor showing my new design with the cover in closed condition concealing the vanity mirror; and,

FIG. 2 is a perspective view thereof with the cover in open condition exposing the vanity mirror.

The broken line showing of the vehicular sun visor shown in the drawing is for illustrative purposes only and forms no part of the claimed design.

1 Claim, 1 Drawing Sheet

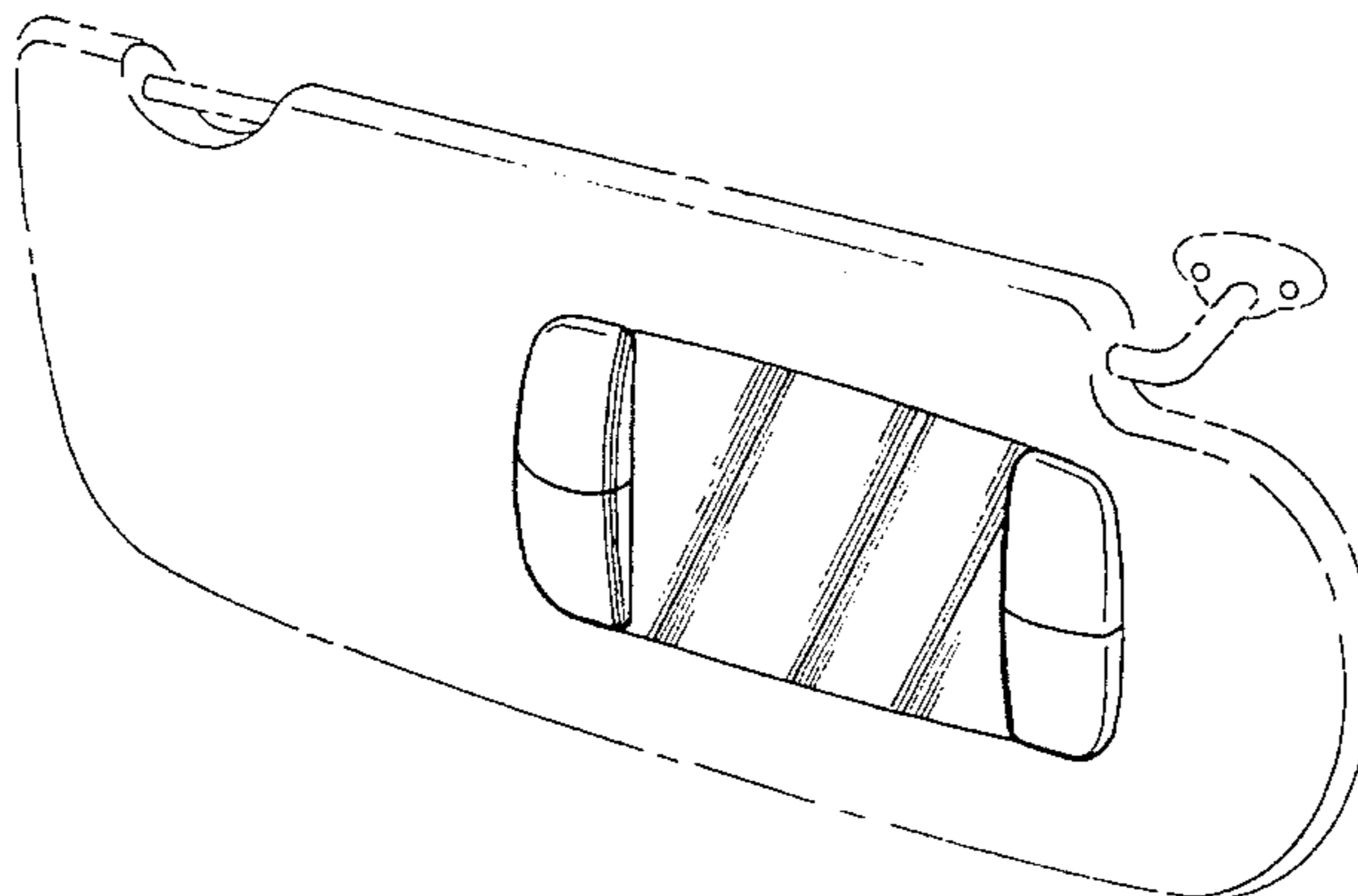
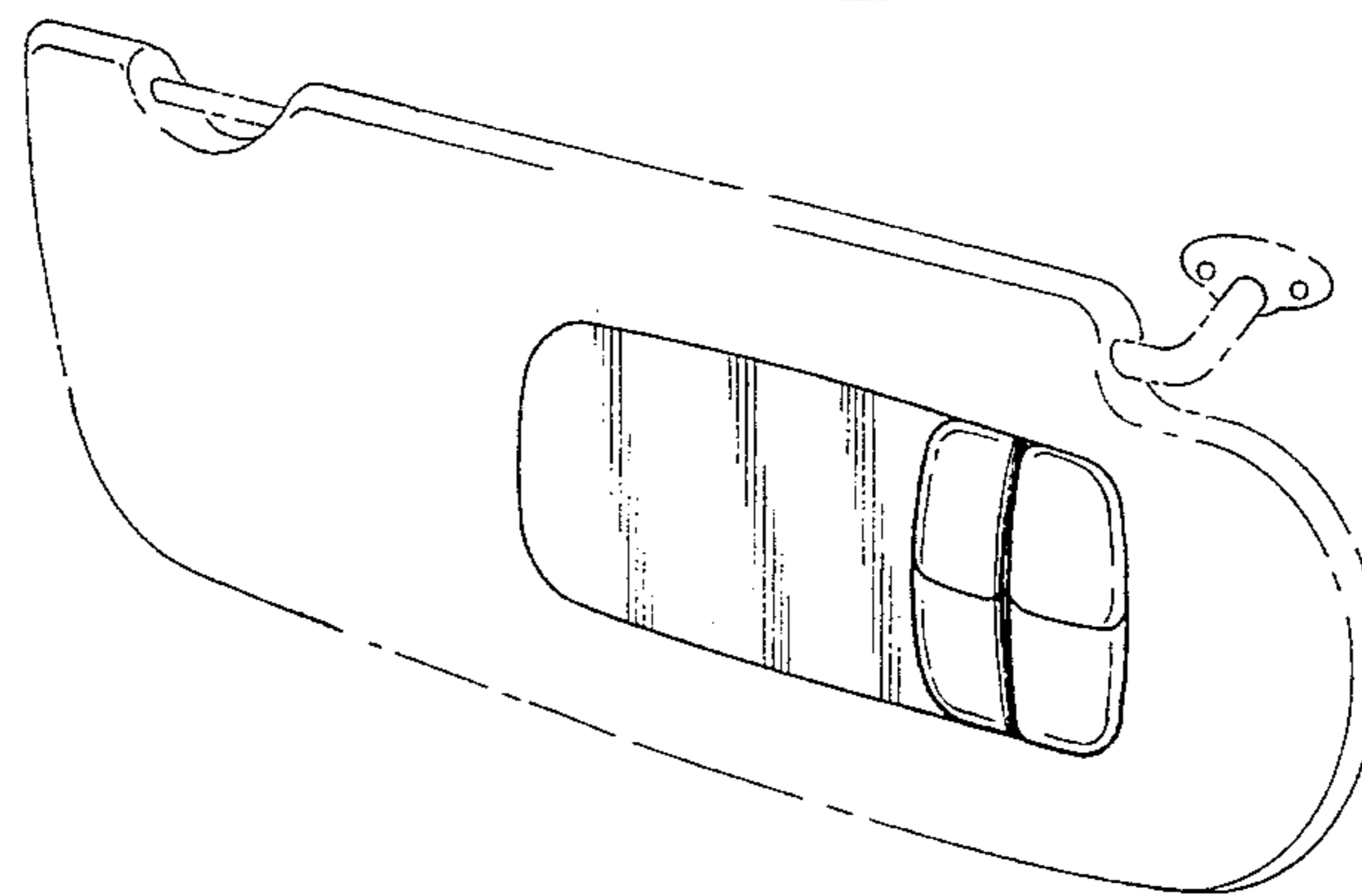


Fig-1

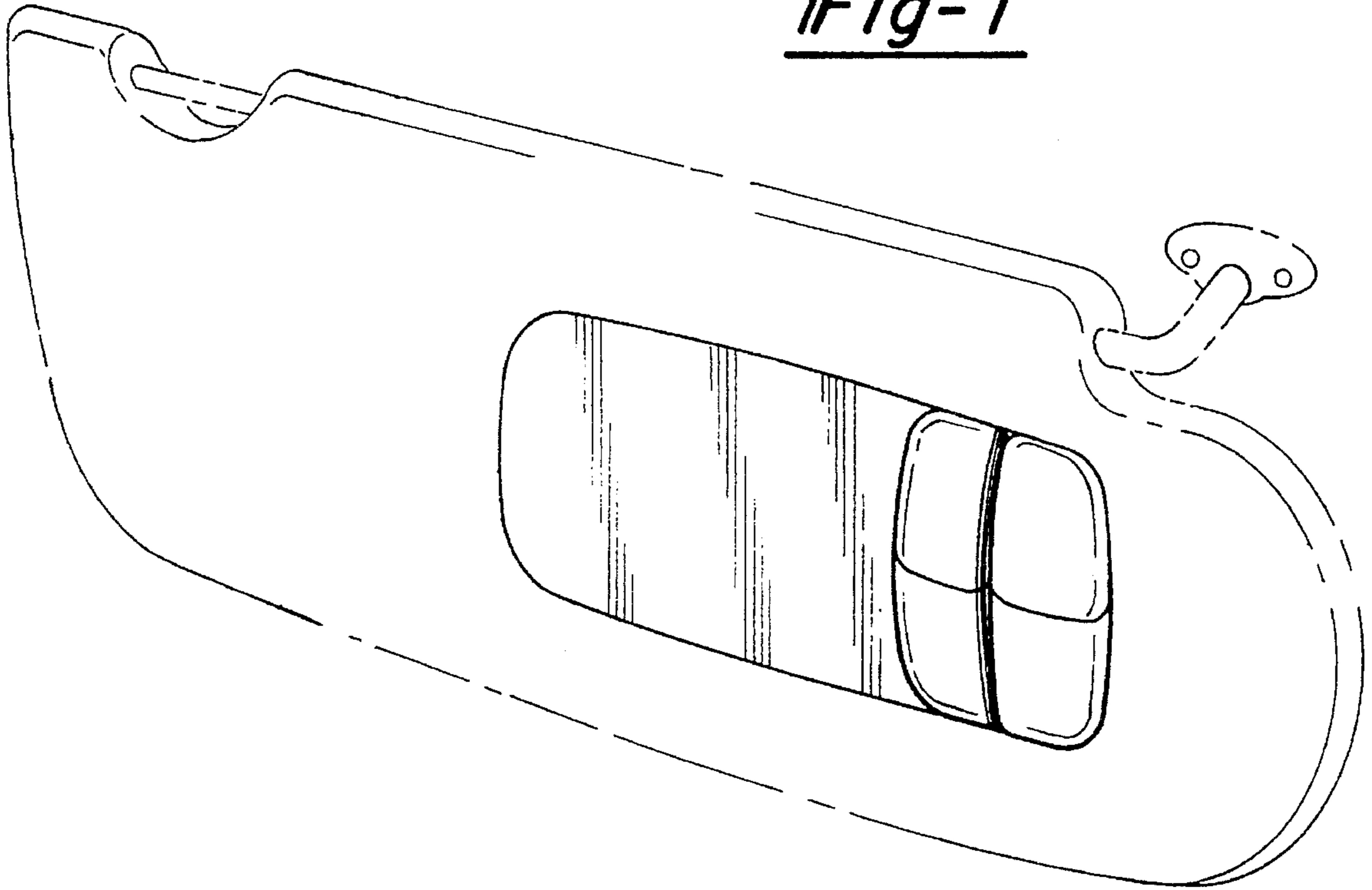


Fig-2

