



US00D367632S

United States Patent [19]
Grieve

[11] **Patent Number:** **Des. 367,632**
[45] **Date of Patent:** ****Mar. 5, 1996**

[54] **FRAME WITH VERTICALLY MOUNTED TRAILER HITCH**

[76] Inventor: **Craig S. Grieve**, 12075 Combine Ave., Waterford, Calif. 95386

[**] Term: **14 Years**

[21] Appl. No.: **36,080**

[22] Filed: **Mar. 13, 1995**

[52] U.S. Cl. **D12/162**

[58] Field of Search D12/162; 280/402, 280/416, 416.1, 420, 423.1, 456.1, 476.1, 507

[56] **References Cited**

U.S. PATENT DOCUMENTS

3,844,583	10/1974	Sakow et al. .	
4,714,265	12/1987	Franklin	280/482 X
4,921,231	5/1990	Reynolds et al.	280/789 X
5,352,083	10/1994	Roberts et al.	280/402 X

FOREIGN PATENT DOCUMENTS

491241	6/1992	European Pat. Off.	280/507
--------	--------	-------------------------	---------

Primary Examiner—Alan P. Douglas
Assistant Examiner—Cathron B. Matta
Attorney, Agent, or Firm—Basil Travis

[57] **CLAIM**

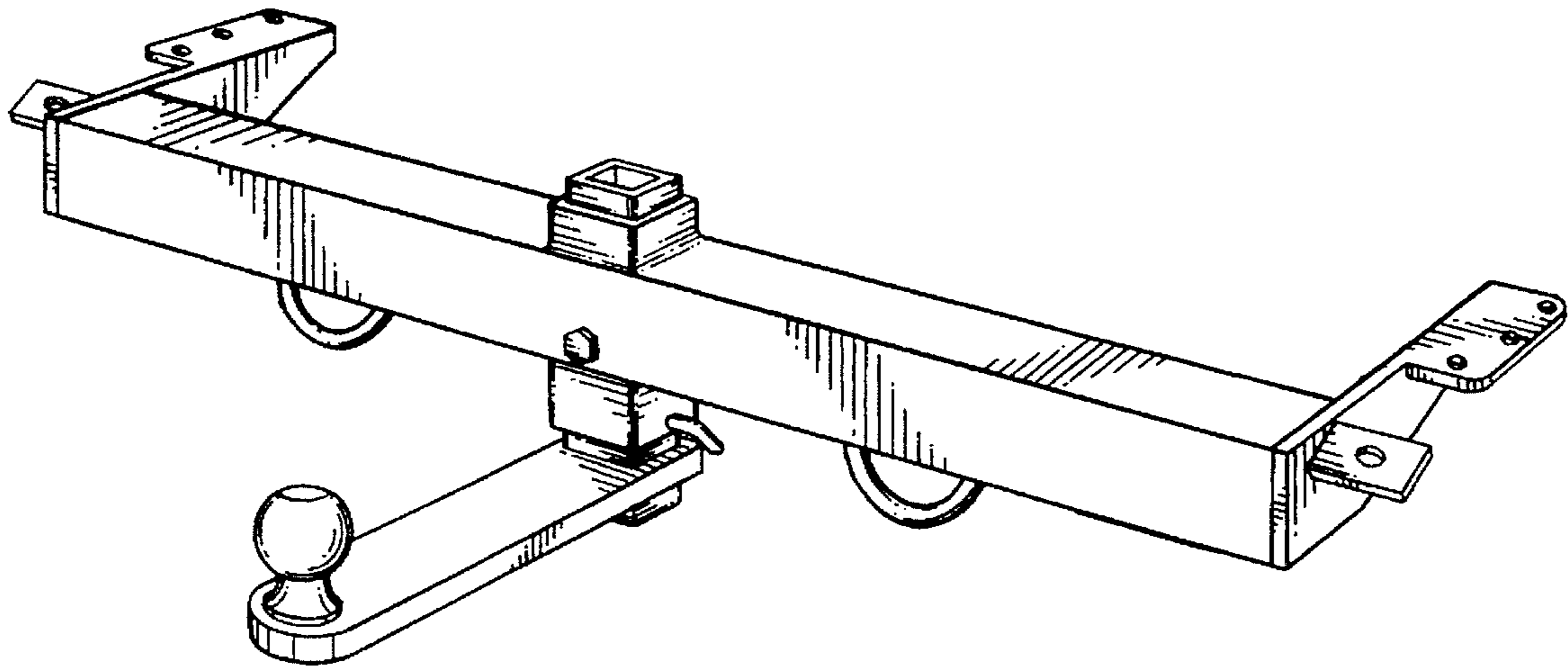
The ornamental design for a frame with vertically mounted trailer hitch, as shown and described.

DESCRIPTION

FIG. 1 is a perspective view of the frame with vertically mounted trailer hitch taken from the top, front and right side; FIG. 2 is a front elevational view; FIG. 3 is a rear elevational view; FIG. 4 is a top plan view; FIG. 5 is a bottom plan view; and, FIG. 6 is a side elevational view, the opposite side being a mirror image thereof.

The broken line showing of a portion of a vehicle is for illustrative purposes only and forms no part of the claimed design.

1 Claim, 3 Drawing Sheets



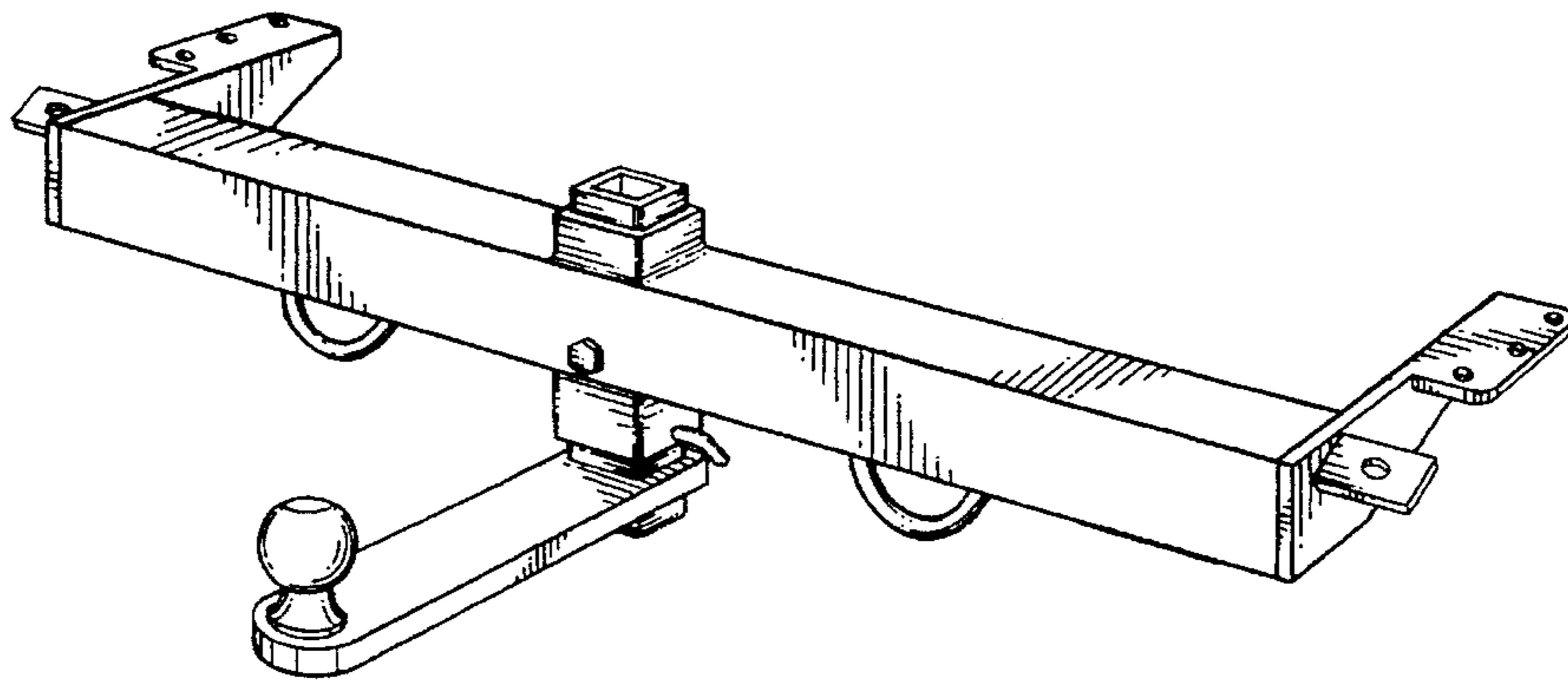


FIG. 1

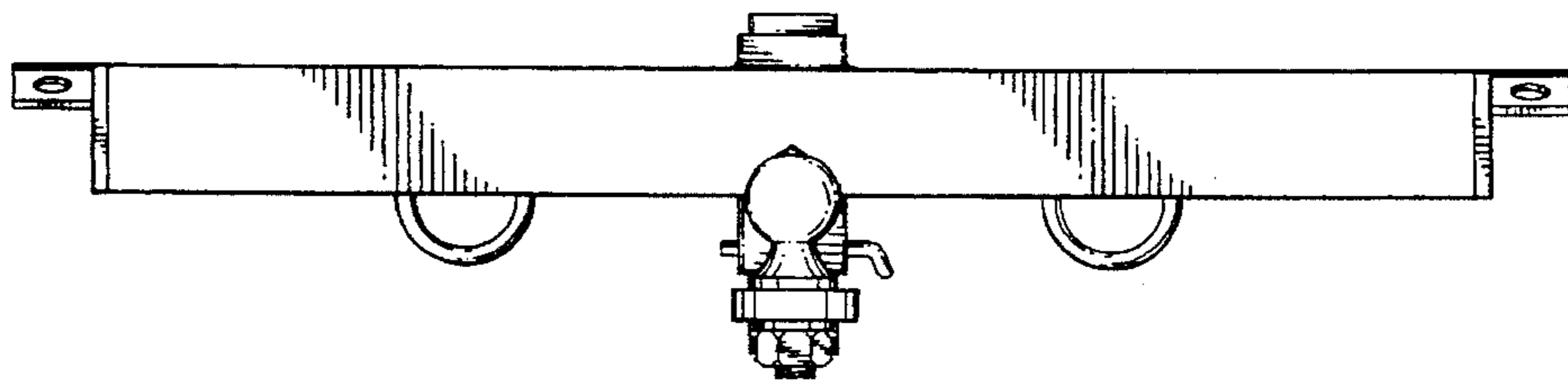


FIG. 2

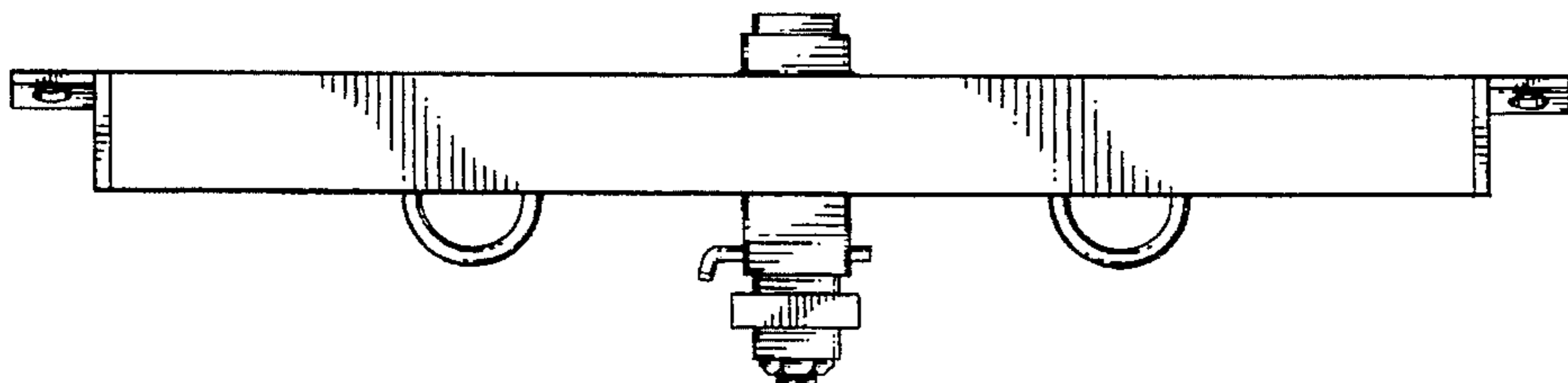


FIG. 3

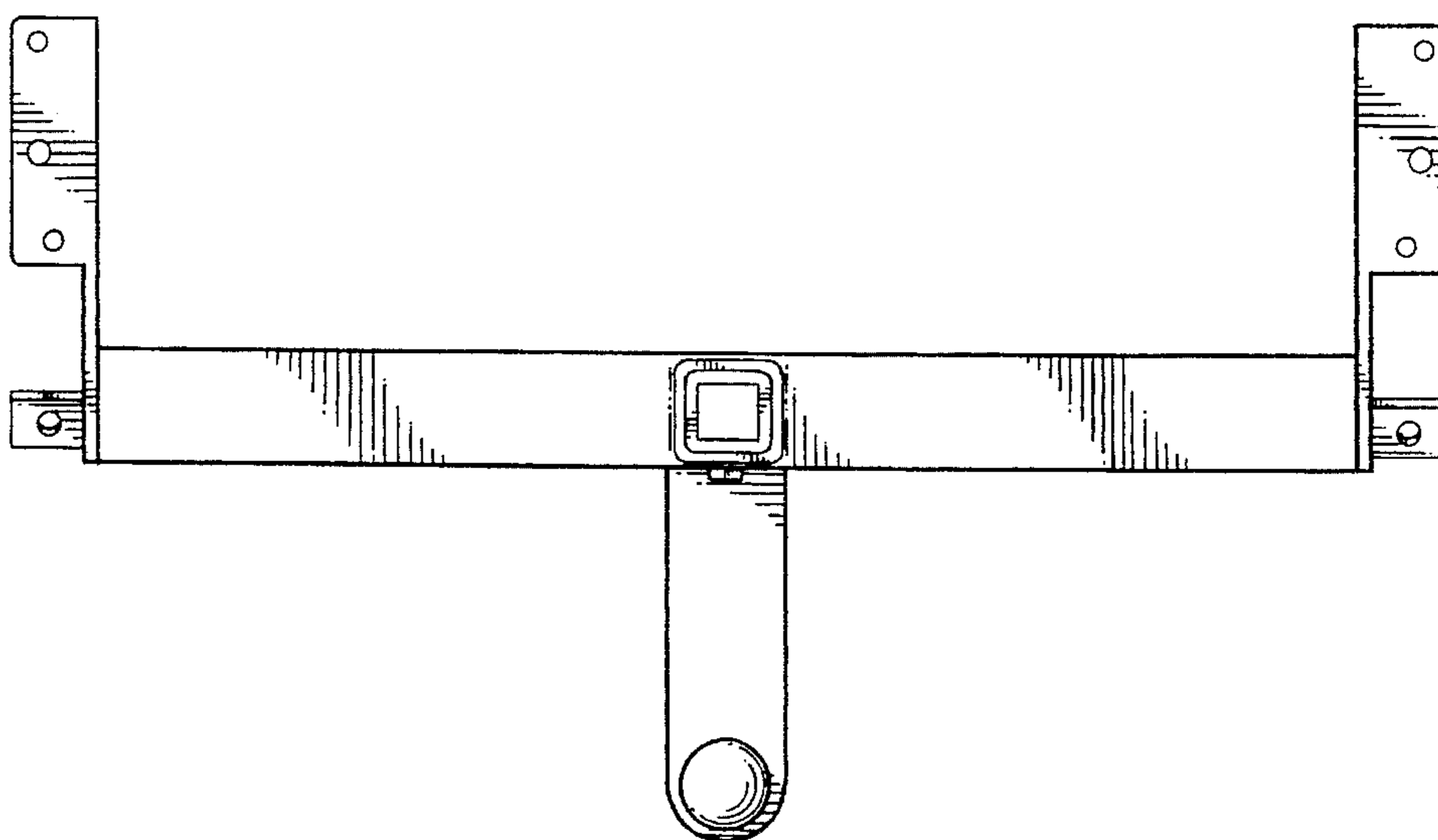


FIG. 4

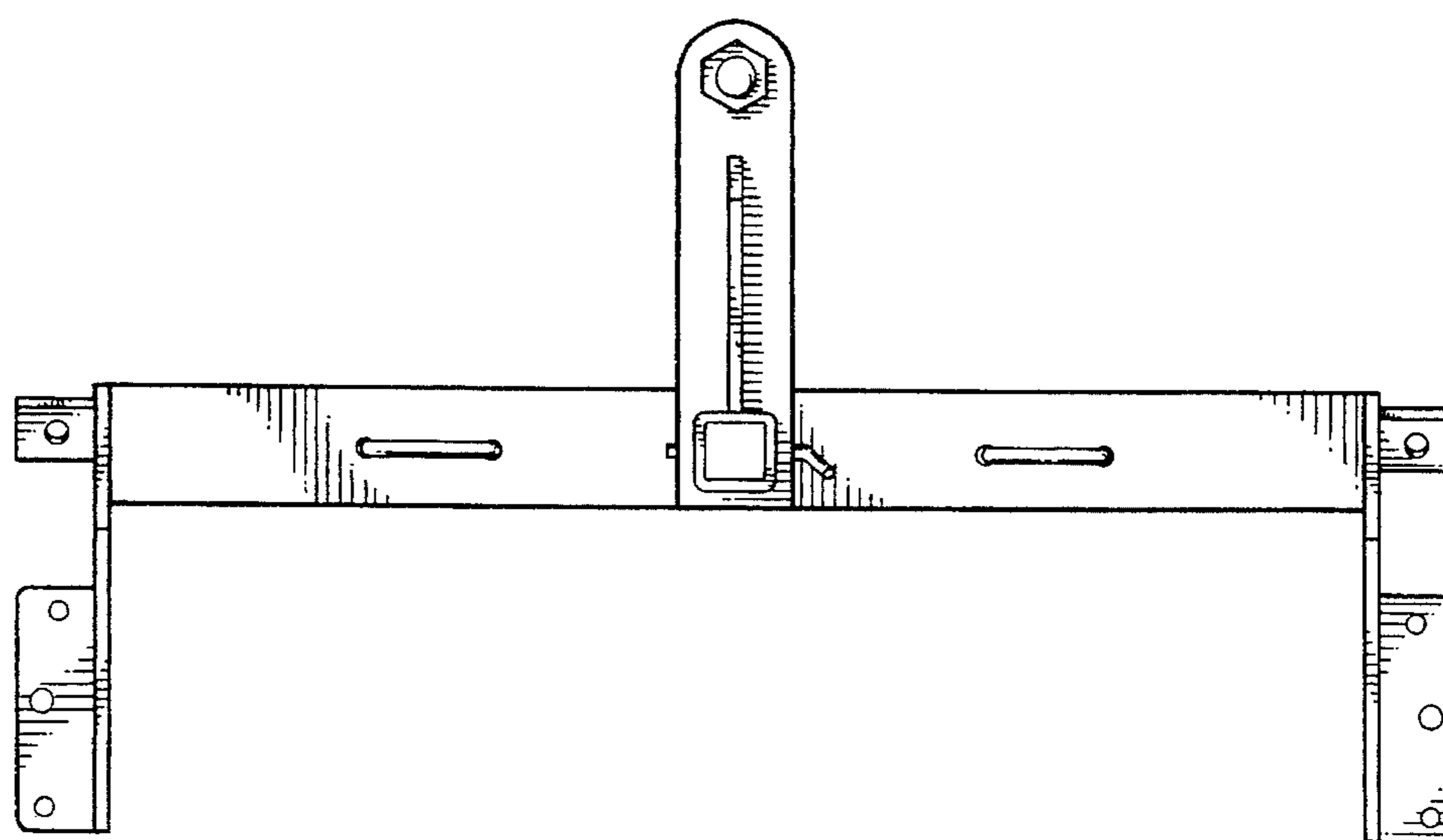


FIG. 5

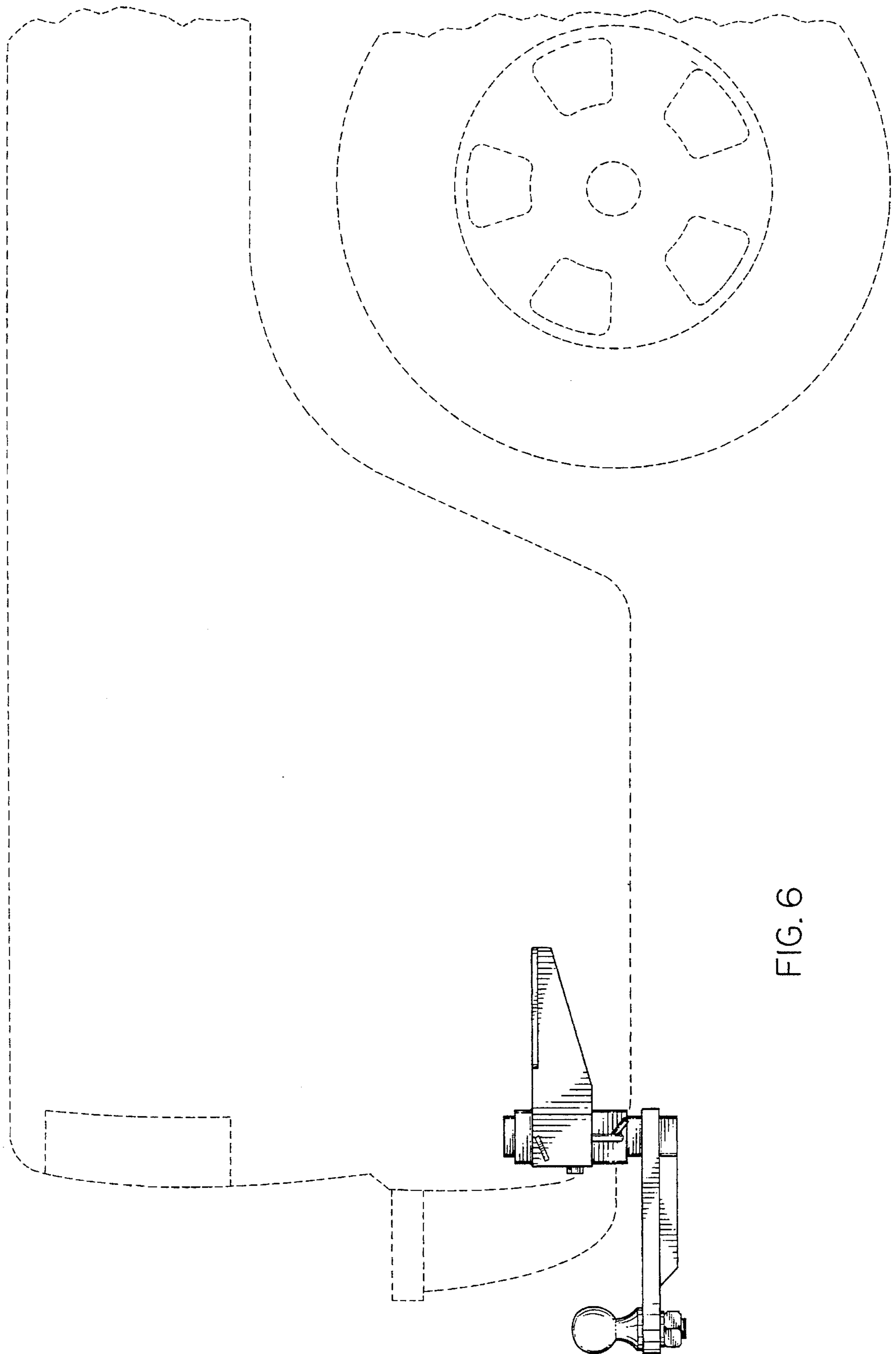


FIG. 6