



US00D367628S

# United States Patent [19] Bull

[11] Patent Number: **Des. 367,628**

[45] Date of Patent: **\*\*Mar. 5, 1996**

[54] **COMBINED CHAIR AND CREEPER**

[76] Inventor: **Robert Bull**, 587 Spearmint, Westland,  
Mich. 48185

[\*\*] Term: **14 Years**

[21] Appl. No.: **27,416**

[22] Filed: **Aug. 22, 1994**

[52] U.S. Cl. .... **D12/131; D34/23**

[58] Field of Search ..... D12/128, 131;  
D34/23, 12; 297/DIG. 4; 280/250.1; 42/94;  
180/6.5, 251, 907

[56] **References Cited**

**U.S. PATENT DOCUMENTS**

4,768,497 9/1988 Winge ..... 297/DIG. 4  
5,414,949 5/1995 Peebles ..... 42/94

*Primary Examiner*—Kay H. Chin  
*Attorney, Agent, or Firm*—Terry M. Gernstein

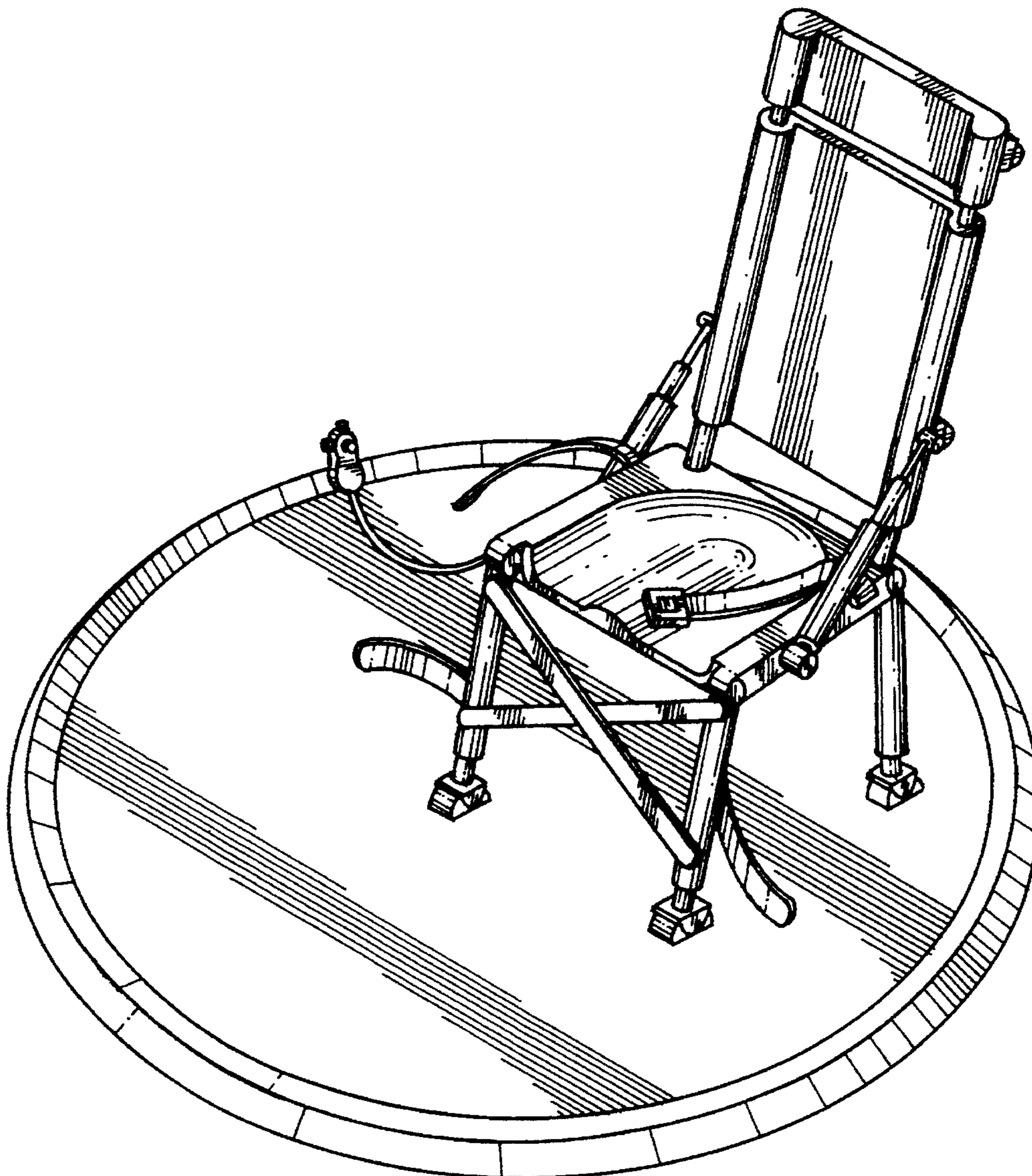
[57] **CLAIM**

The ornamental design for a combined chair and creeper, as shown and described.

**DESCRIPTION**

FIG. 1 is a front, top and side perspective view of the combined chair and creeper showing my new design;  
FIG. 2 is a front elevational view thereof;  
FIG. 3 is a rear elevational view thereof;  
FIG. 4 is a side elevational view thereof, the side opposite being a mirror image of the side shown in FIG. 4;  
FIG. 5 is a top plan view thereof; and,  
FIG. 6 is a bottom plan view thereof.

**1 Claim, 4 Drawing Sheets**



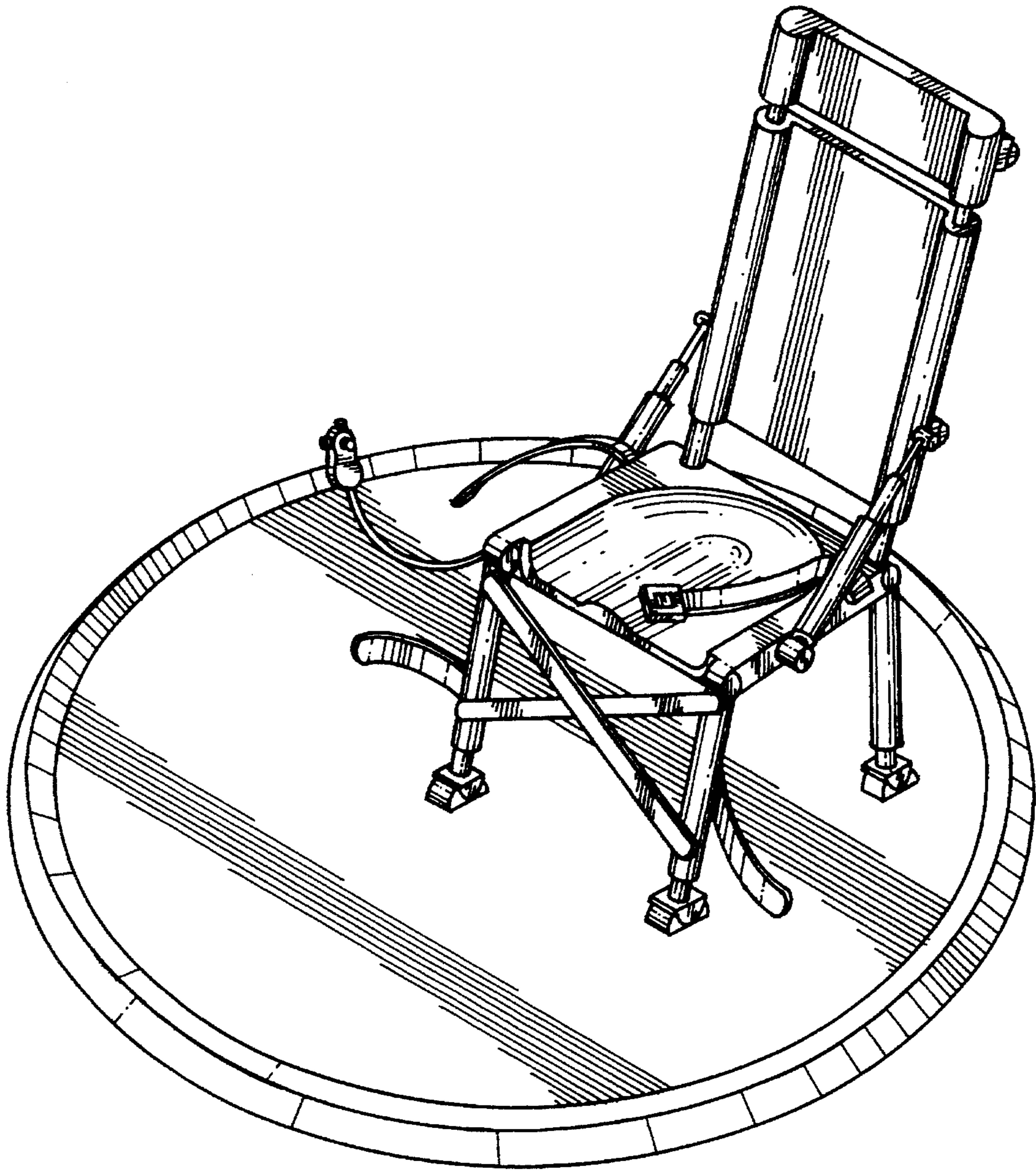


FIG. 1.



FIG. 2.

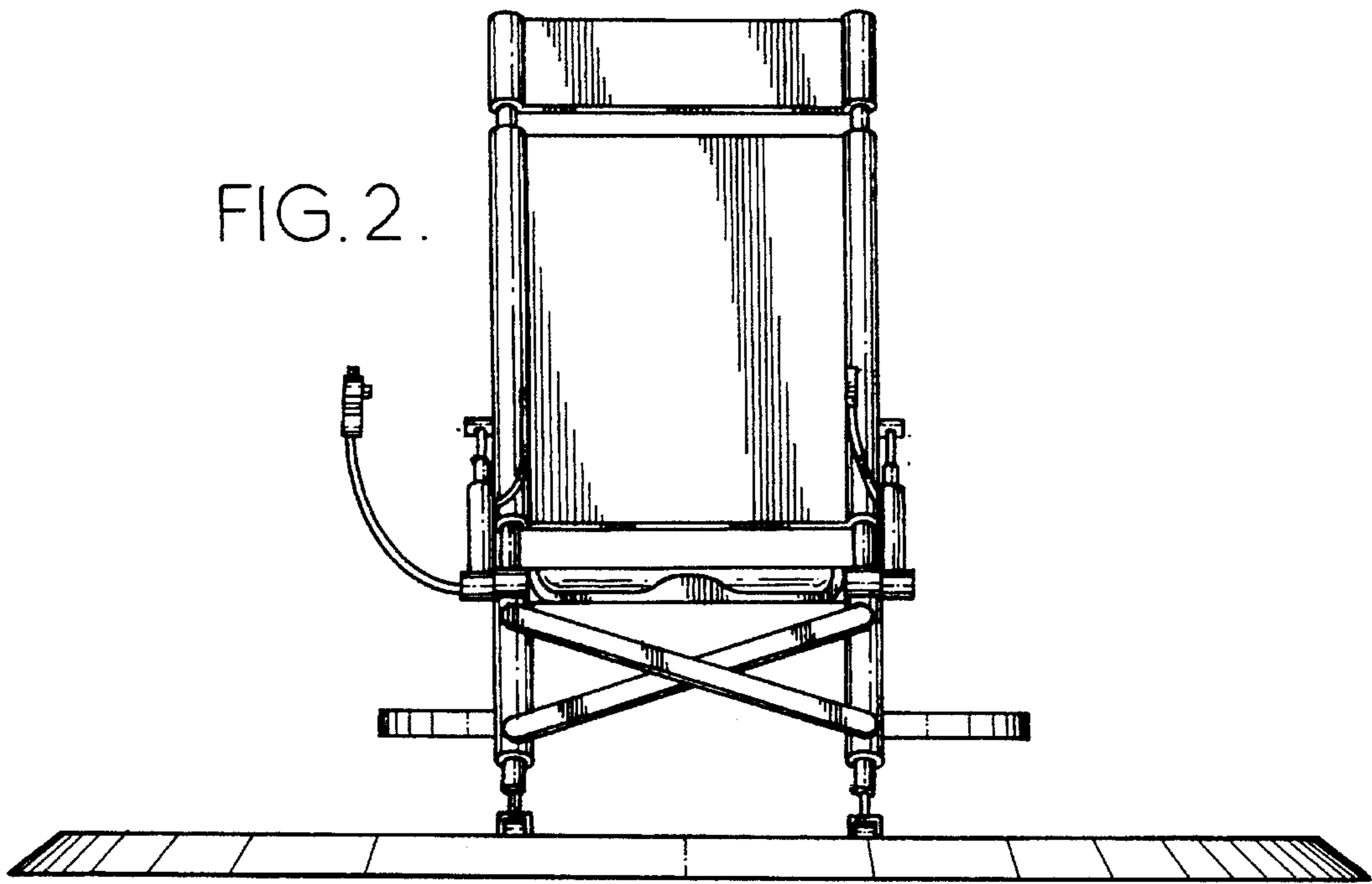
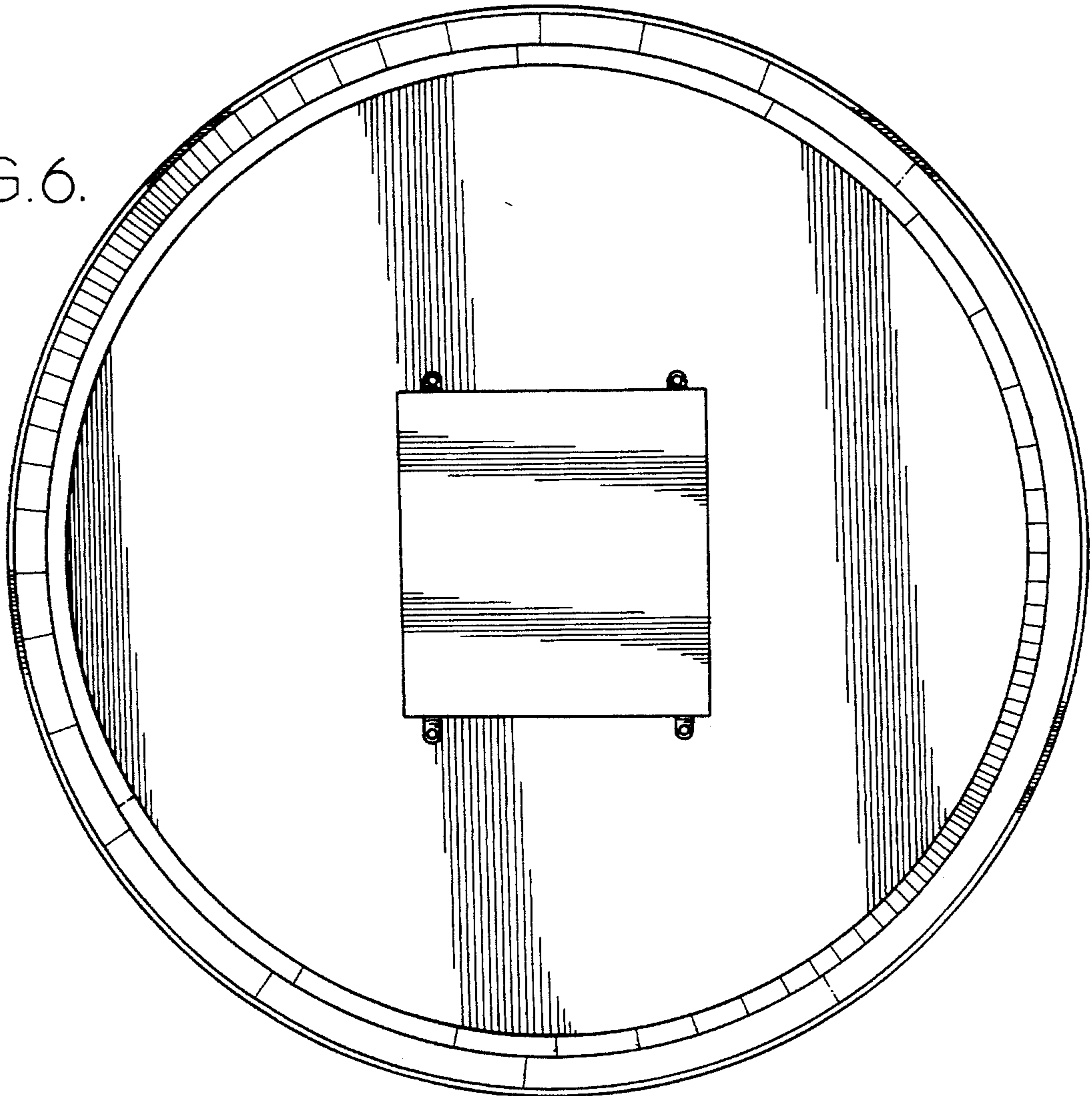


FIG. 6.



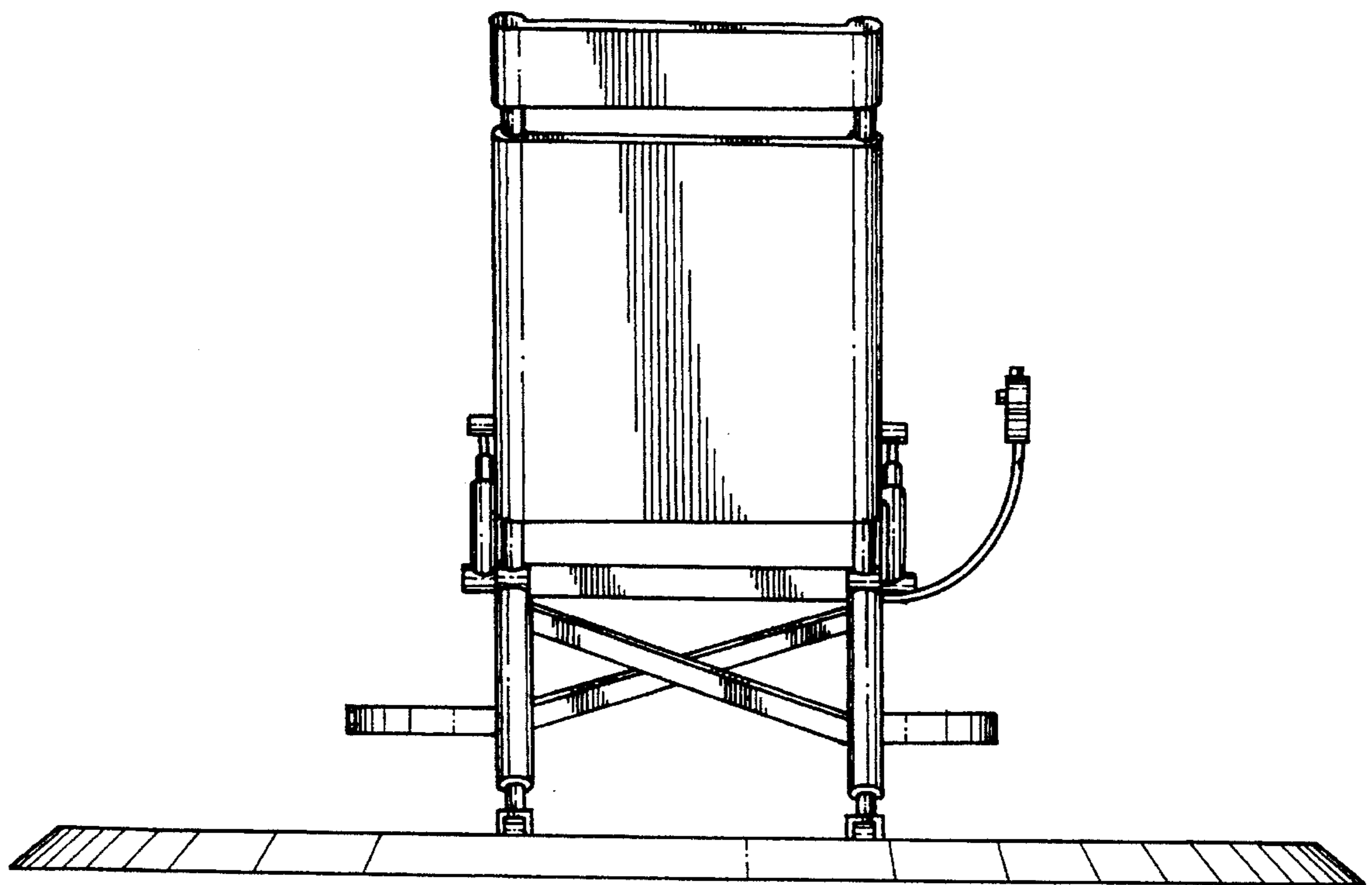


FIG. 3.

FIG. 4.

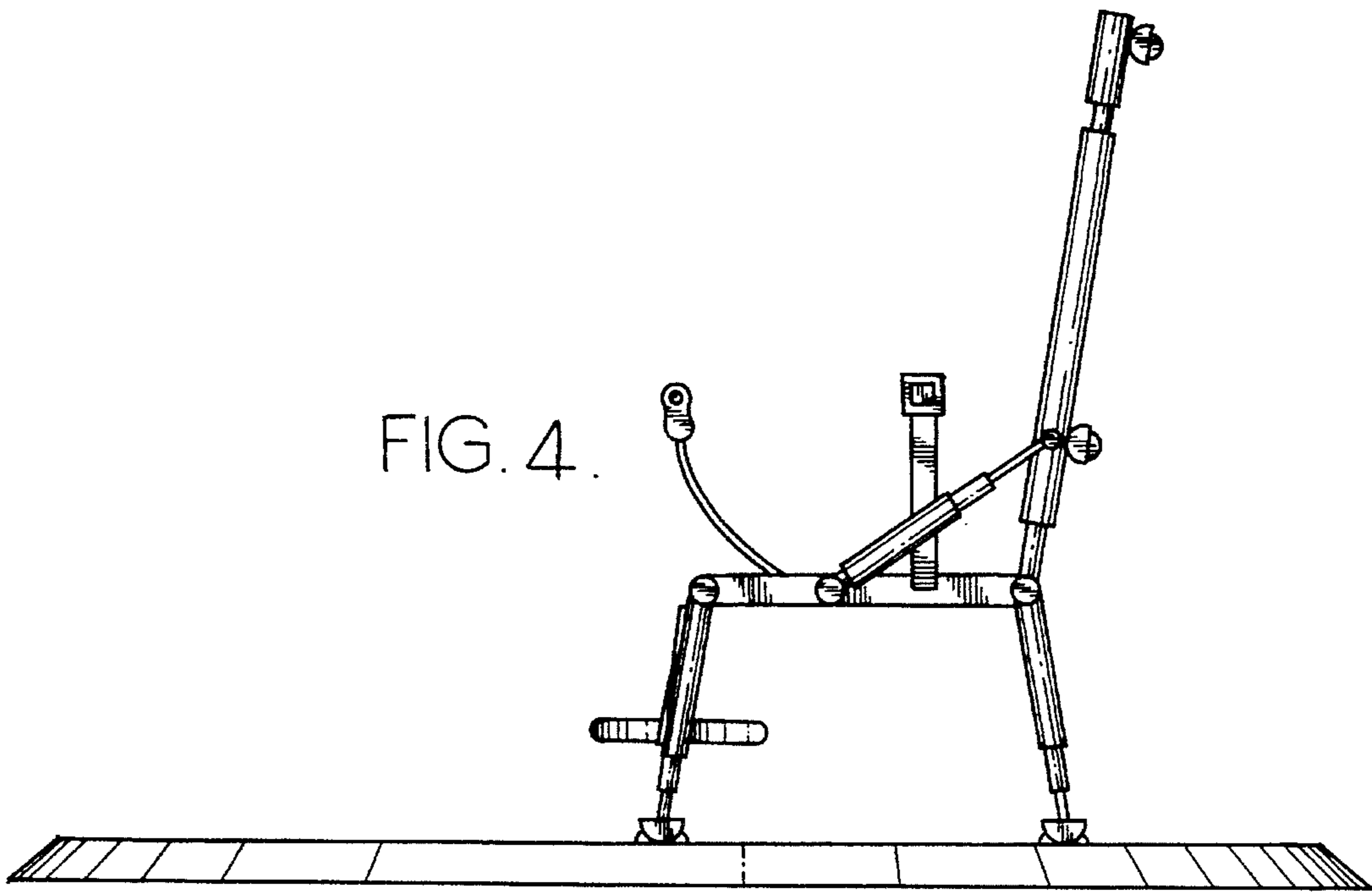


FIG. 5.

