



US00D367627S

# United States Patent [19]

Brys

[11] Patent Number: **Des. 367,627**

[45] Date of Patent: **\*\*Mar. 5, 1996**

[54] **AIR CHUTE FOR A TEMPERATURE CONTROLLED CONTAINER**

[76] Inventor: **Lyle W. Brys**, 1174 Weld Co. Rd. 45, Hudson, Colo. 80642

[\*\*] Term: **14 Years**

[21] Appl. No.: **22,265**

[22] Filed: **May 3, 1994**

[52] U.S. Cl. .... **D12/97**

[58] Field of Search ..... D12/97, 181; 296/180.1, 296/180.2, 180.4; 98/6; 62/239

[56] **References Cited**

**U.S. PATENT DOCUMENTS**

D. 310,501	9/1990	Brys	.....	D12/97
D. 319,420	8/1991	Brys	.....	D12/97
3,879,955	4/1975	Dostal et al.	.....	98/6
4,399,737	8/1983	Severson	.....	98/6
4,887,437	12/1989	Fenton et al.	.....	98/6

Primary Examiner—A. Hugo Word

Assistant Examiner—Marcus Jackson  
Attorney, Agent, or Firm—Holland & Hart

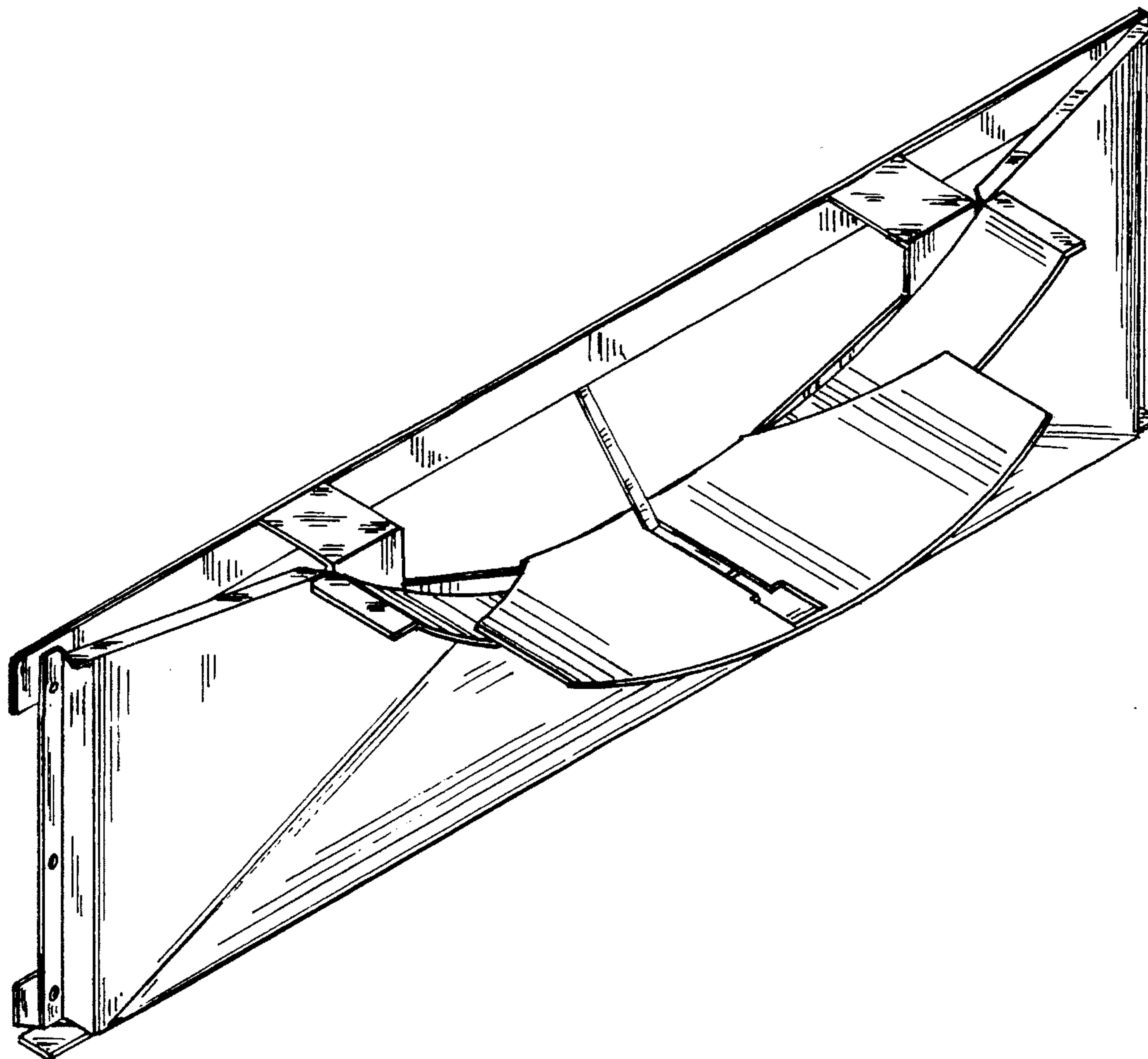
[57] **CLAIM**

The ornamental design for air chute for a temperature controlled container, shown and described.

**DESCRIPTION**

FIG. 1 is a reduced side elevational view of the air chute for a temperature controlled container showing my new design, it being understood that the broken lines are for illustrative purposes only and form no part of the claimed design; FIG. 2 is an enlarged top isometric view thereof; FIG. 3 is an enlarged side elevational view thereof; FIG. 4 is an enlarged front elevational view thereof; FIG. 5 is an enlarged top plan view thereof; FIG. 6 is an enlarged rear elevational view thereof; and, FIG. 7 is an enlarged bottom plan view thereof. The broken lines which appear in FIG. 6 represent perforations.

**1 Claim, 3 Drawing Sheets**



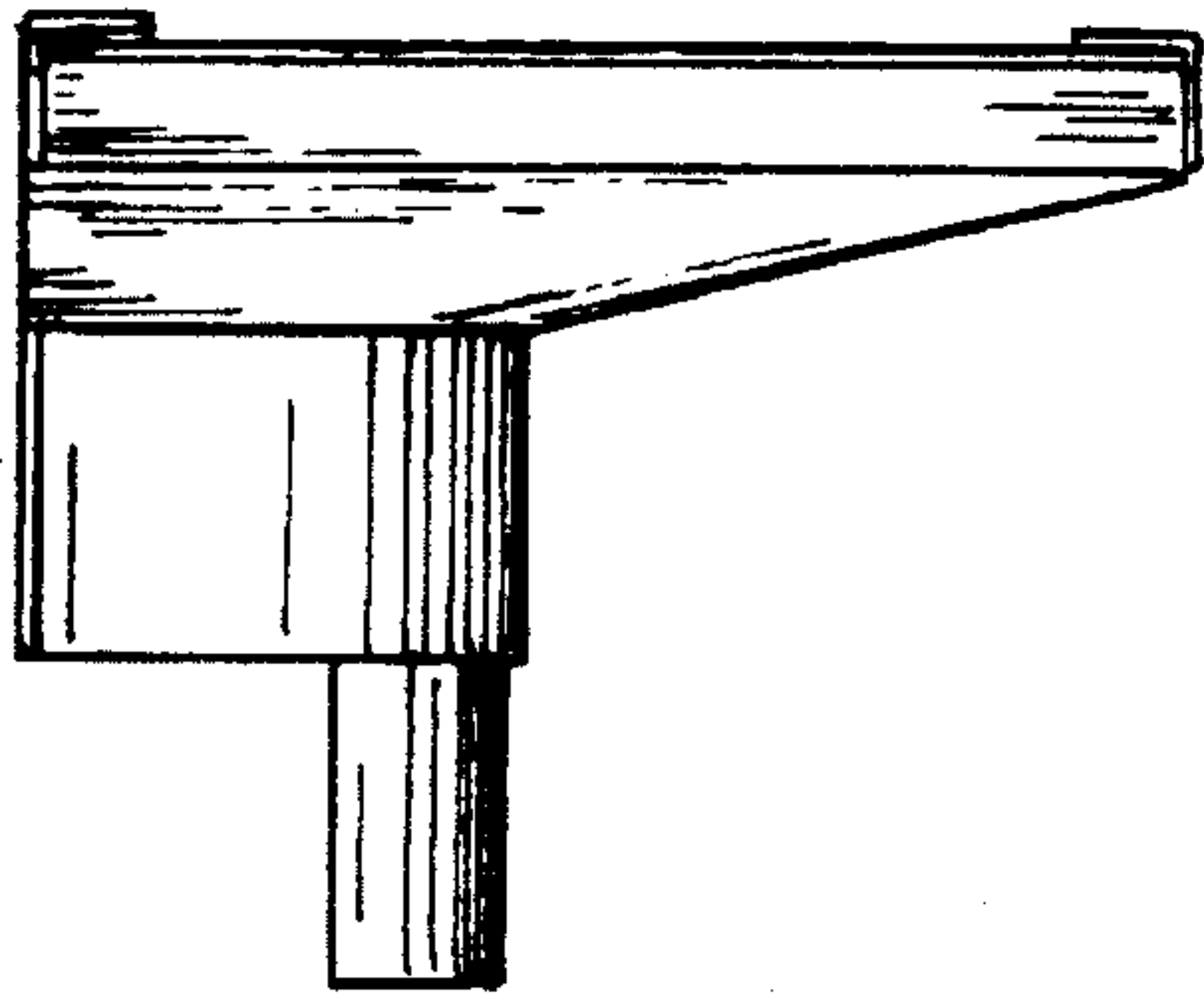


Fig. 3

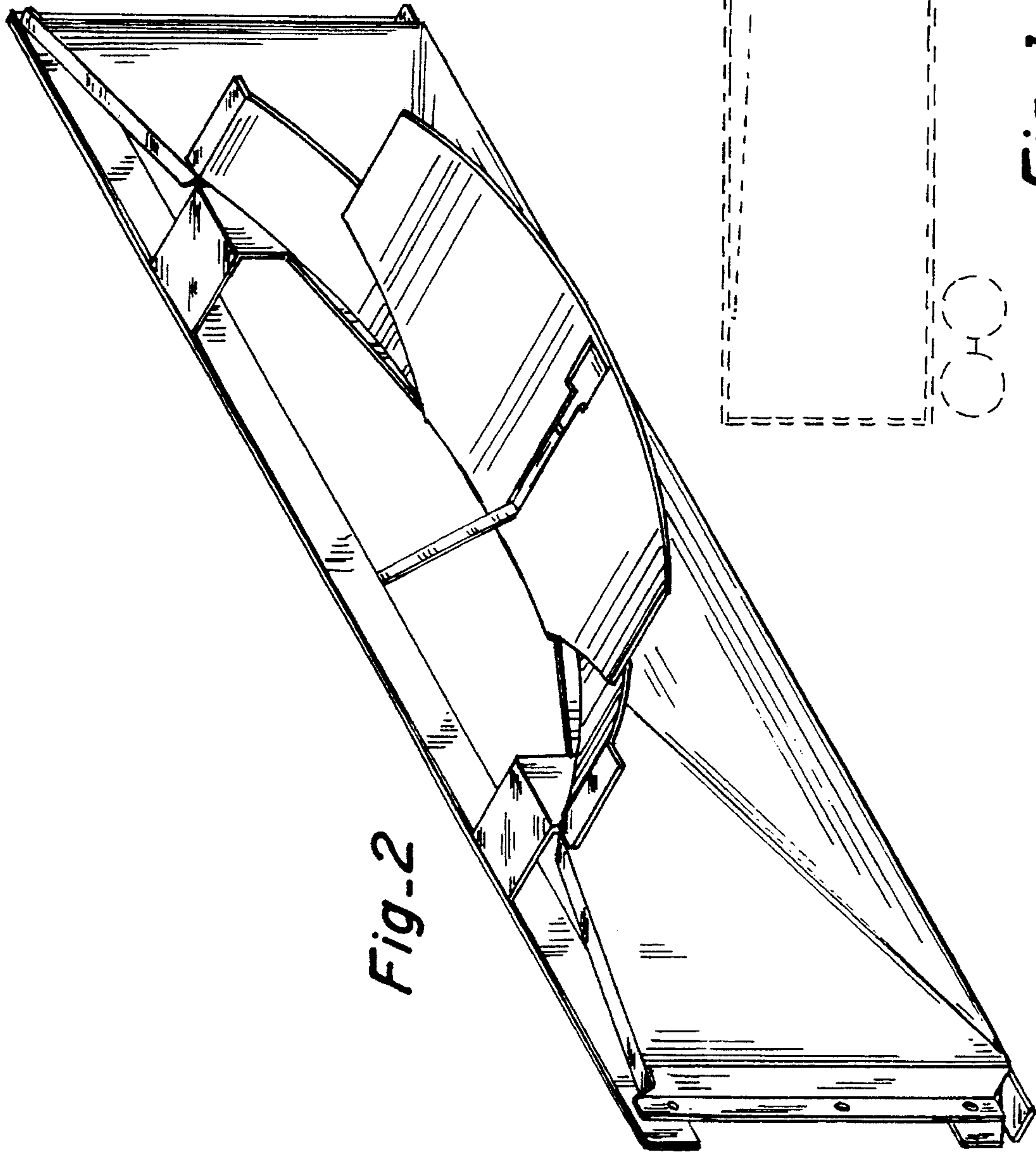


Fig-2

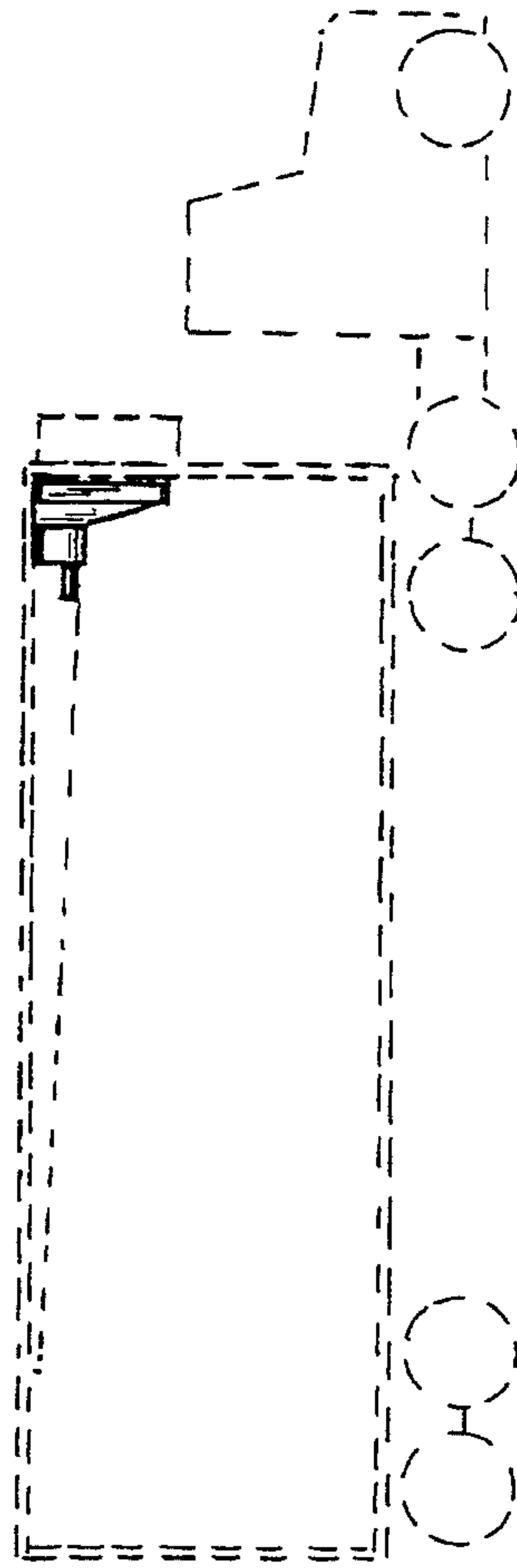
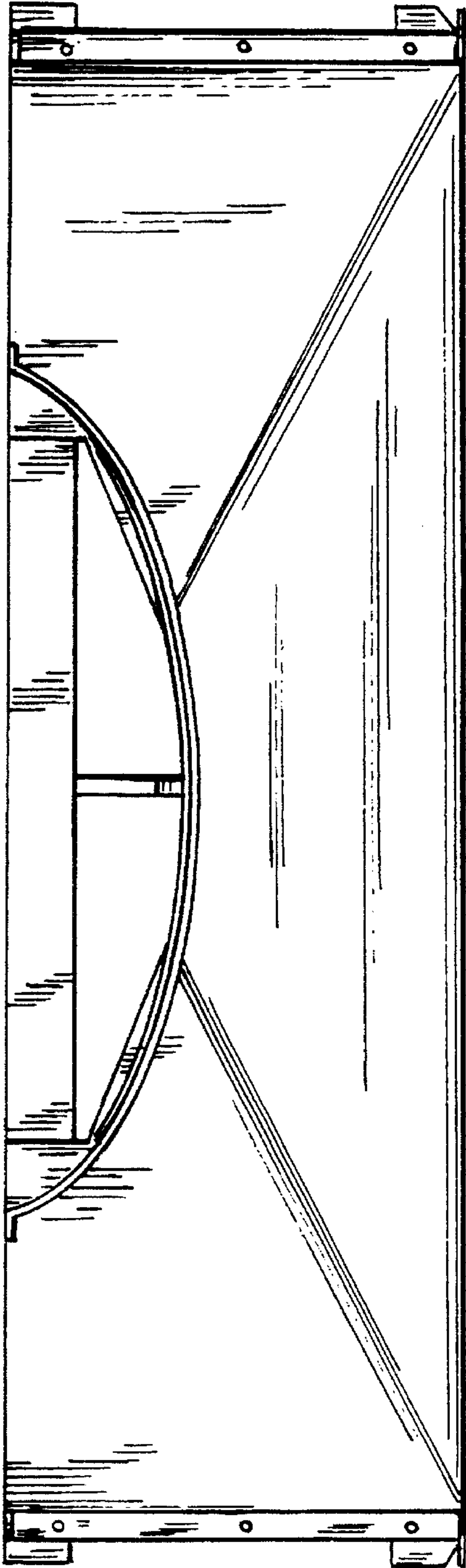
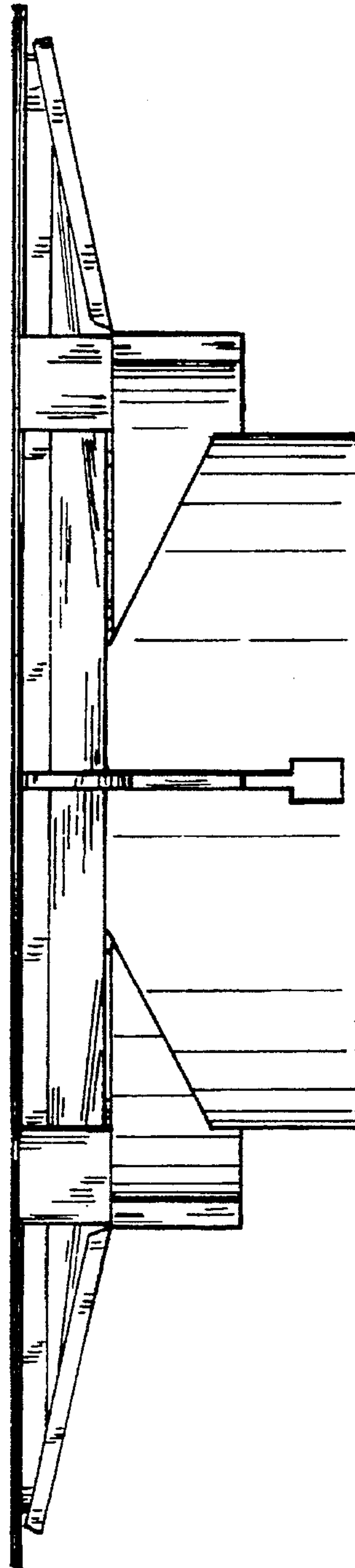


Fig-1

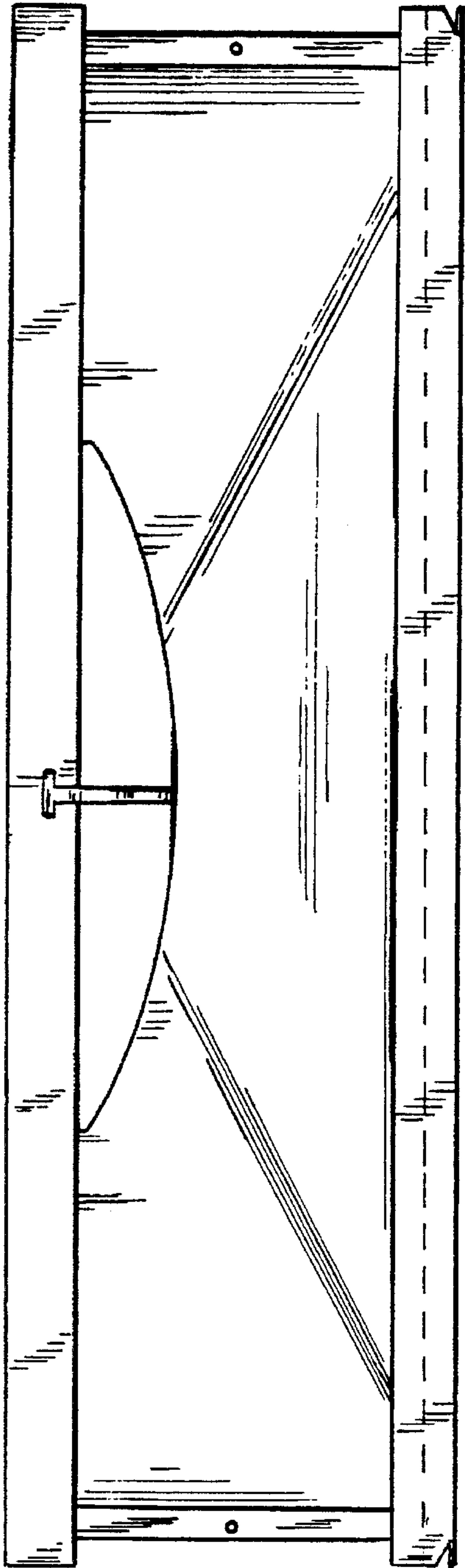


*Fig. 4*

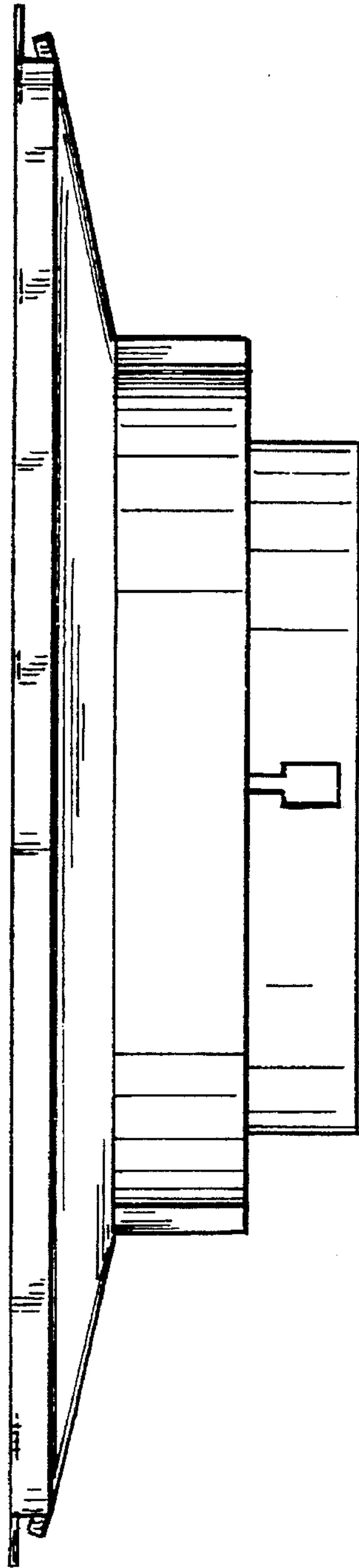


*Fig. 5*





*Fig-6*



*Fig-7*