



US00D367625S

United States Patent [19]
Goldman

[11] **Patent Number: Des. 367,625**

[45] **Date of Patent: **Mar. 5, 1996**

[54] **COMBINED PENDANT AND BIRTHSTONE**

[75] Inventor: **Nathan Goldman**, Holon, Israel

[73] Assignee: **Maccabi Jewelry Ltd.**, Ramat Gan, Israel

[**] Term: **14 Years**

[21] Appl. No.: **30,974**

[22] Filed: **Nov. 14, 1994**

[30] **Foreign Application Priority Data**

May 15, 1994 [IL] Israel 22622

[52] **U.S. Cl.** **D11/79; D11/65**

[58] **Field of Search** D11/1, 2, 79-116,
D11/43-47, 40, 65, 63; 63/1.1, 2, 20, 18

[56] **References Cited**

U.S. PATENT DOCUMENTS

- D. 11,495 11/1879 **Somes** D11/47
- D. 147,031 7/1947 **Weeber** D11/223
- D. 152,216 12/1948 **Quethera** D11/41
- D. 159,610 8/1950 **Grun** D11/223

- D. 252,561 8/1979 **Durante** D11/46
- D. 253,694 12/1979 **Ellis** D11/79
- D. 255,669 7/1980 **Trupiano** D11/79
- D. 263,028 2/1982 **Gilford** D11/2
- D. 266,387 10/1982 **Angarone** D11/2
- D. 266,747 11/1982 **Gilford** D11/2
- 289,912 12/1883 **Huleu** 63/1.1

Primary Examiner—Ralf Seifert
Attorney, Agent, or Firm—Darby & Darby

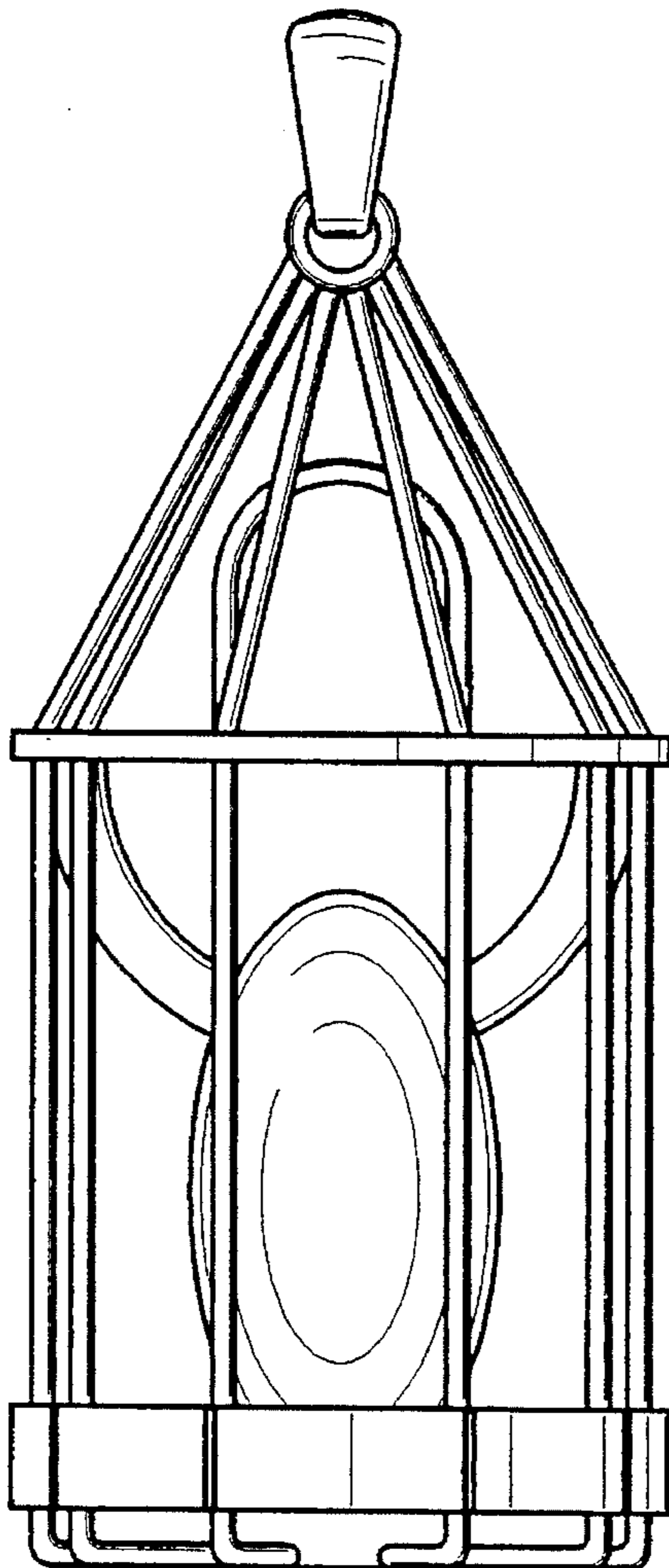
[57] **CLAIM**

The ornamental design for a combined pendant and birthstone, as shown and described.

DESCRIPTION

FIG. 1 is a front elevational view of a combined pendant and birthstone, showing my new design;
FIG. 2 is a top plan view thereof;
FIG. 3 is a bottom plan view thereof;
FIG. 4 is a rear elevational view thereof;
FIG. 5 is a right side elevational view thereof; and,
FIG. 6 is a left side elevational view thereof.

1 Claim, 2 Drawing Sheets



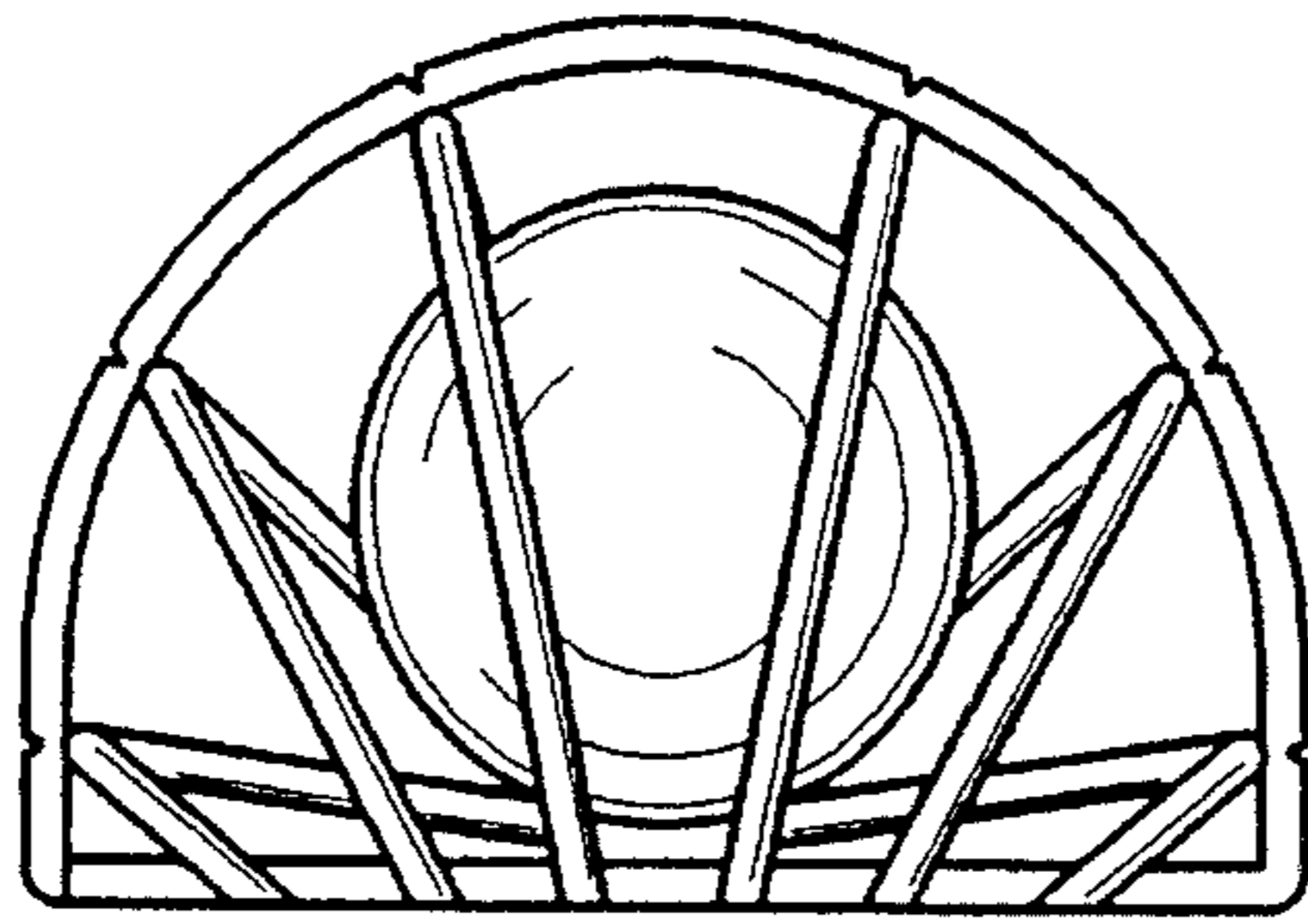


FIG. 3

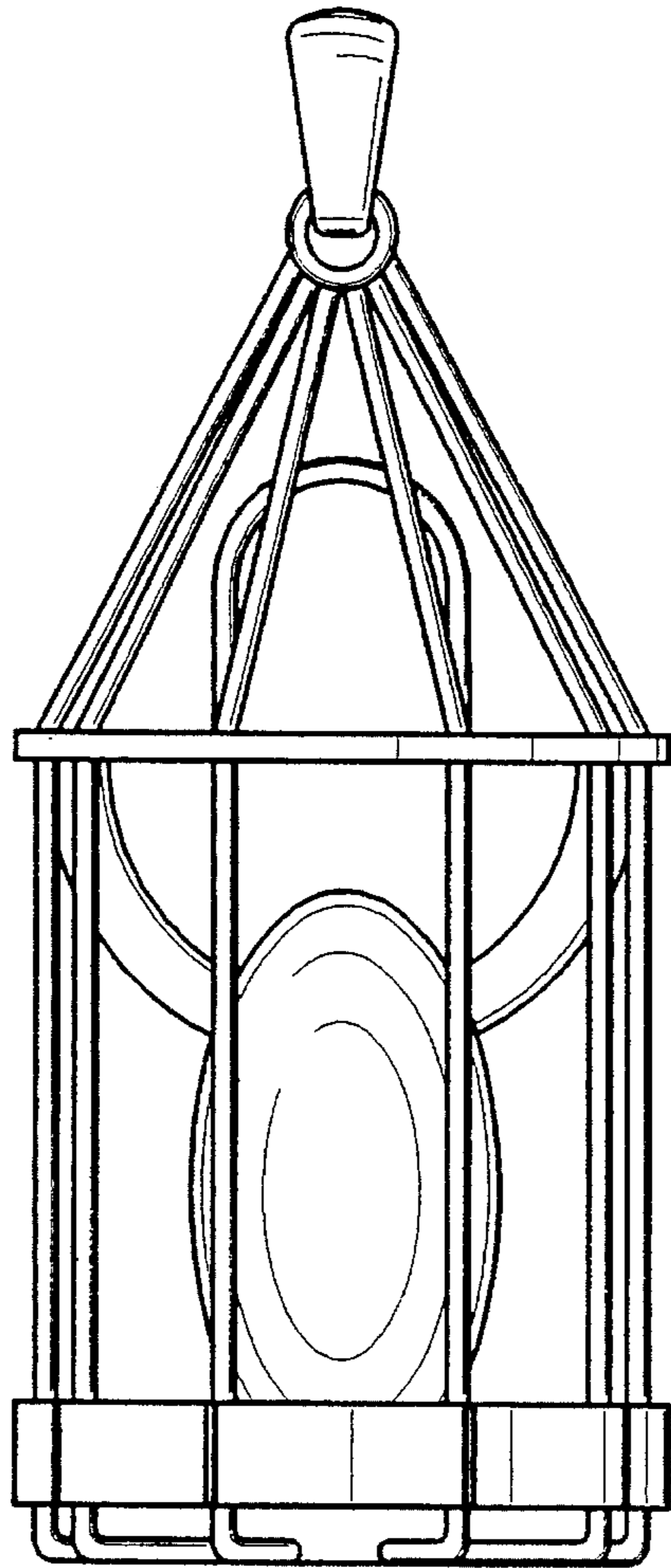


FIG. 1

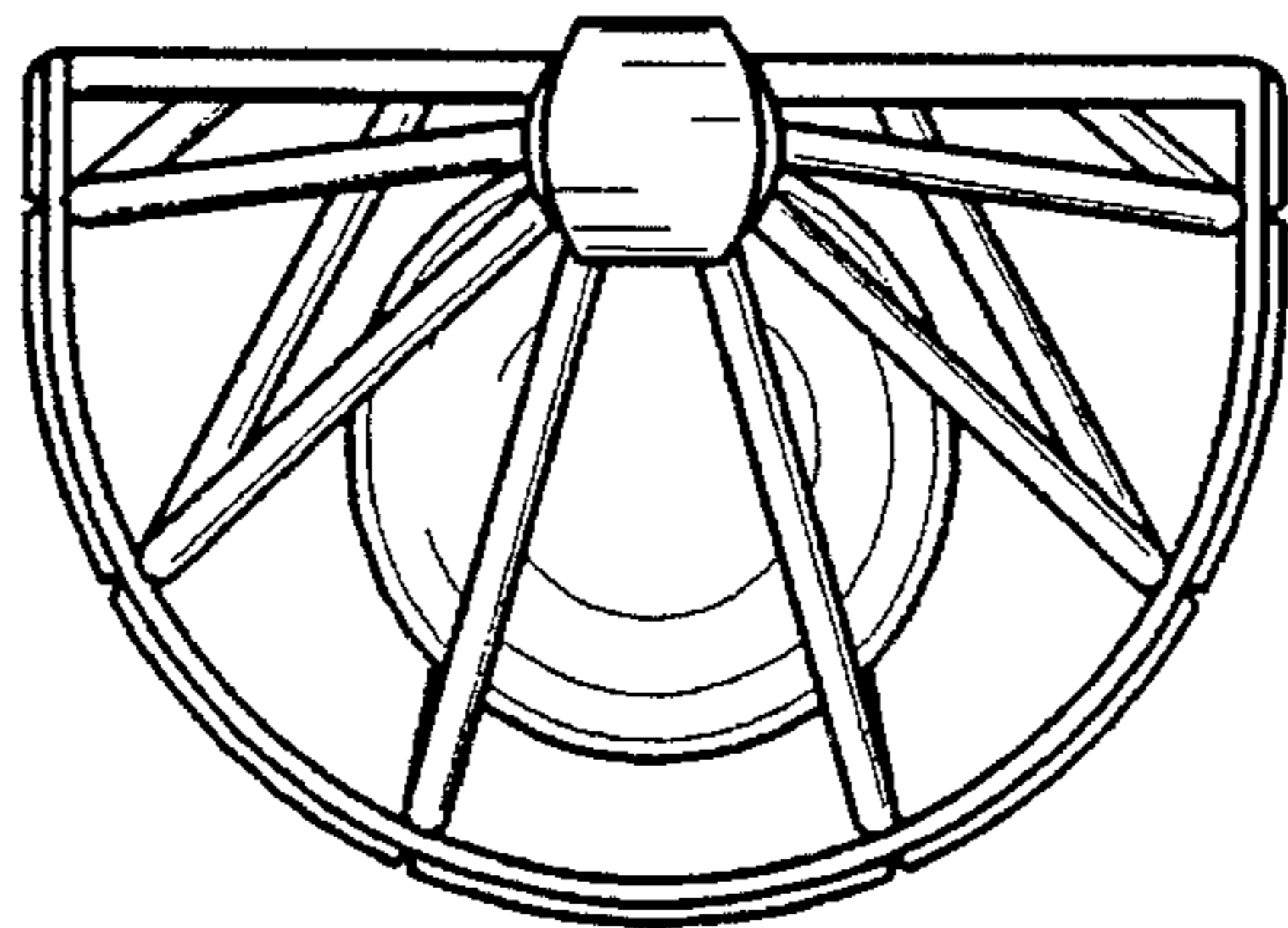


FIG. 2

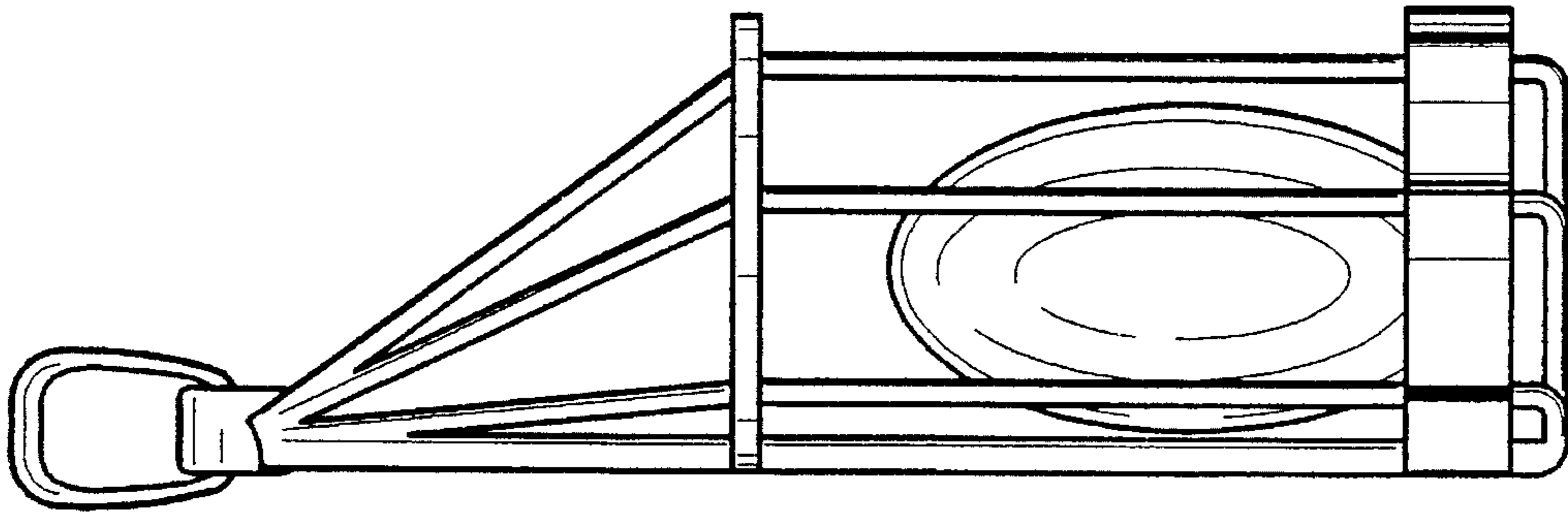


FIG. 6

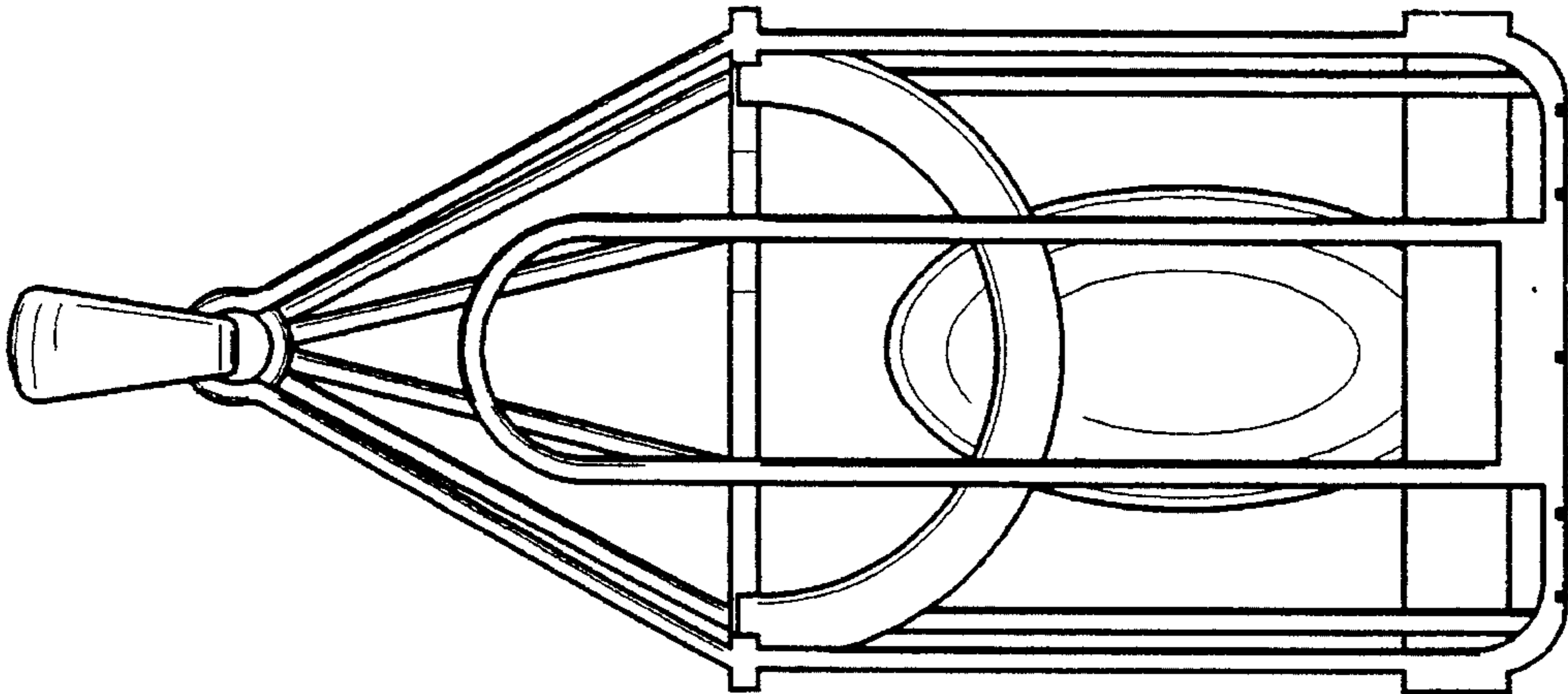


FIG. 4

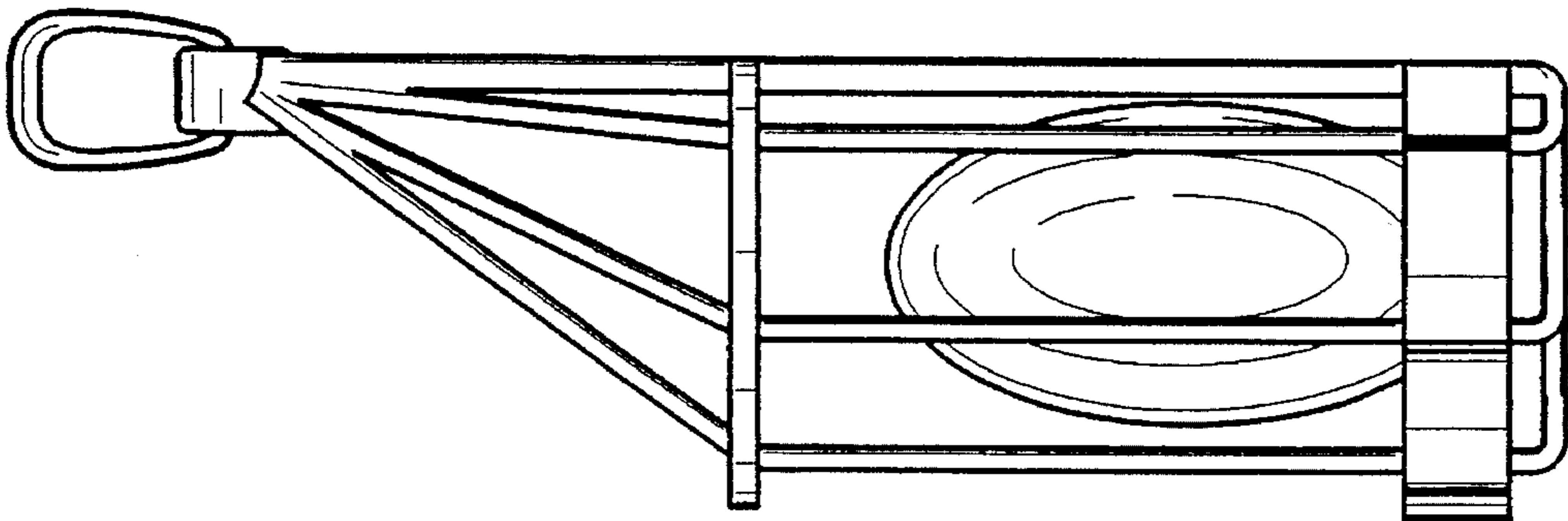


FIG. 5