



US00D367618S

# United States Patent [19]

[11] Patent Number: **Des. 367,618**

Stewart et al.

[45] Date of Patent: **\*\*Mar. 5, 1996**

[54] **CARPENTER'S RULE WITH PENCIL SHARPENER**

4,679,325 7/1987 Sweatman ..... 33/760

[76] Inventors: **Stephen C. Stewart; Shirley N. Truex**,  
both of 24430 Nettles Rd., Christmas,  
Fla. 32709

*Primary Examiner*—Antoine Duval Davis  
*Attorney, Agent, or Firm*—Harold H. Dutton, Jr.

[\*\*] Term: **14 Years**

[57] **CLAIM**

The ornamental design for a carpenter's rule with pencil sharpener, as shown.

[21] Appl. No.: **37,744**

**DESCRIPTION**

[22] Filed: **Apr. 17, 1995**

FIG. 1 is a rear perspective view of a carpenter's rule with pencil sharpener showing our new design;

[52] U.S. Cl. .... **D10/72; D19/73; D19/74**

FIG. 2 is a front view thereof;

[58] Field of Search ..... **D10/72; D19/73,**  
**D19/74; 30/451-459; 33/760**

FIG. 3 is a left side view thereof;

FIG. 4 is a right side view thereof;

FIG. 5 is a top view thereof; and,

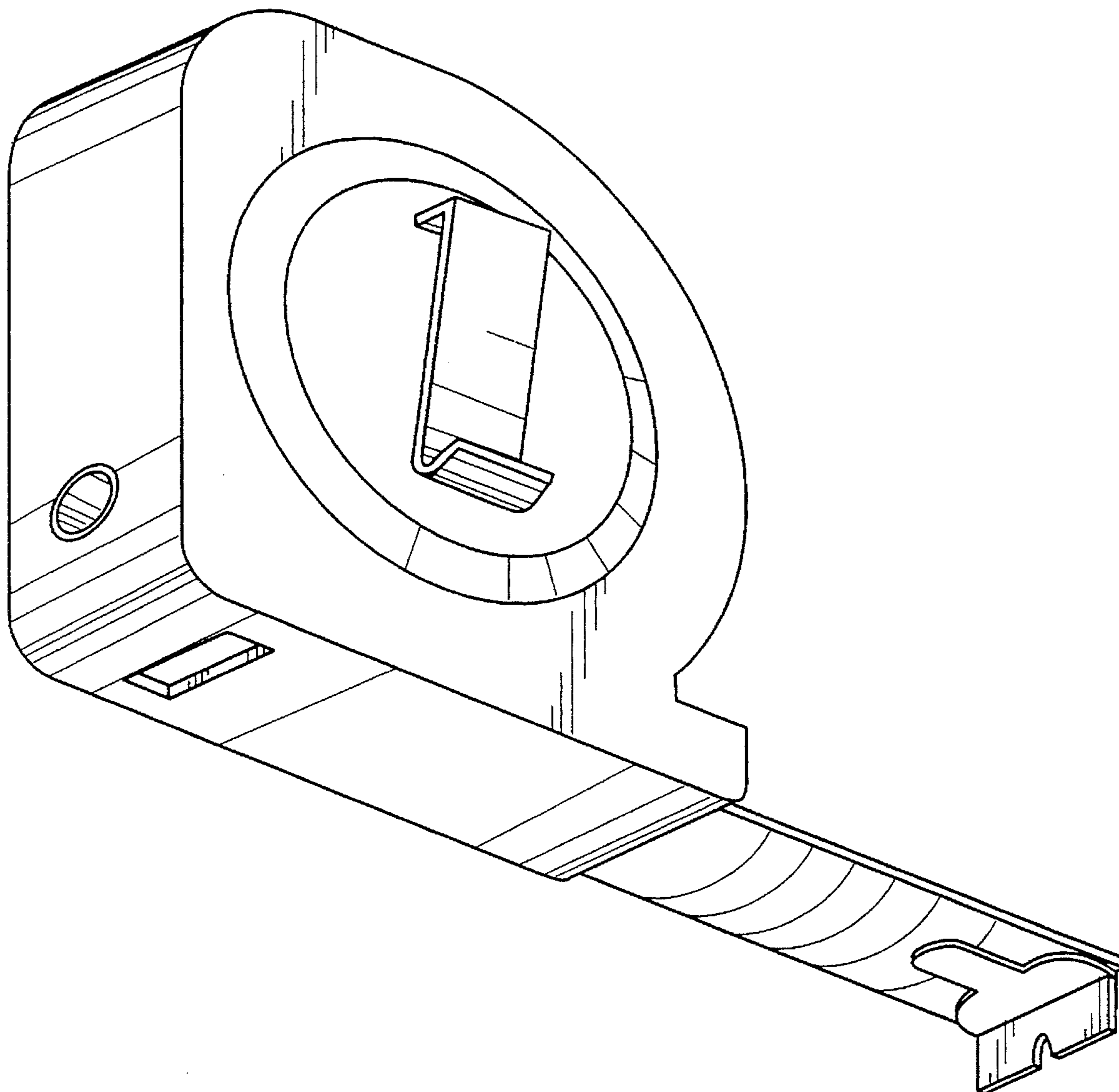
FIG. 6 is a bottom view thereof.

[56] **References Cited**

**U.S. PATENT DOCUMENTS**

D. 339,536 9/1993 Ribron ..... D19/74 X  
3,577,641 5/1971 Smith ..... D10/72 X

**1 Claim, 3 Drawing Sheets**



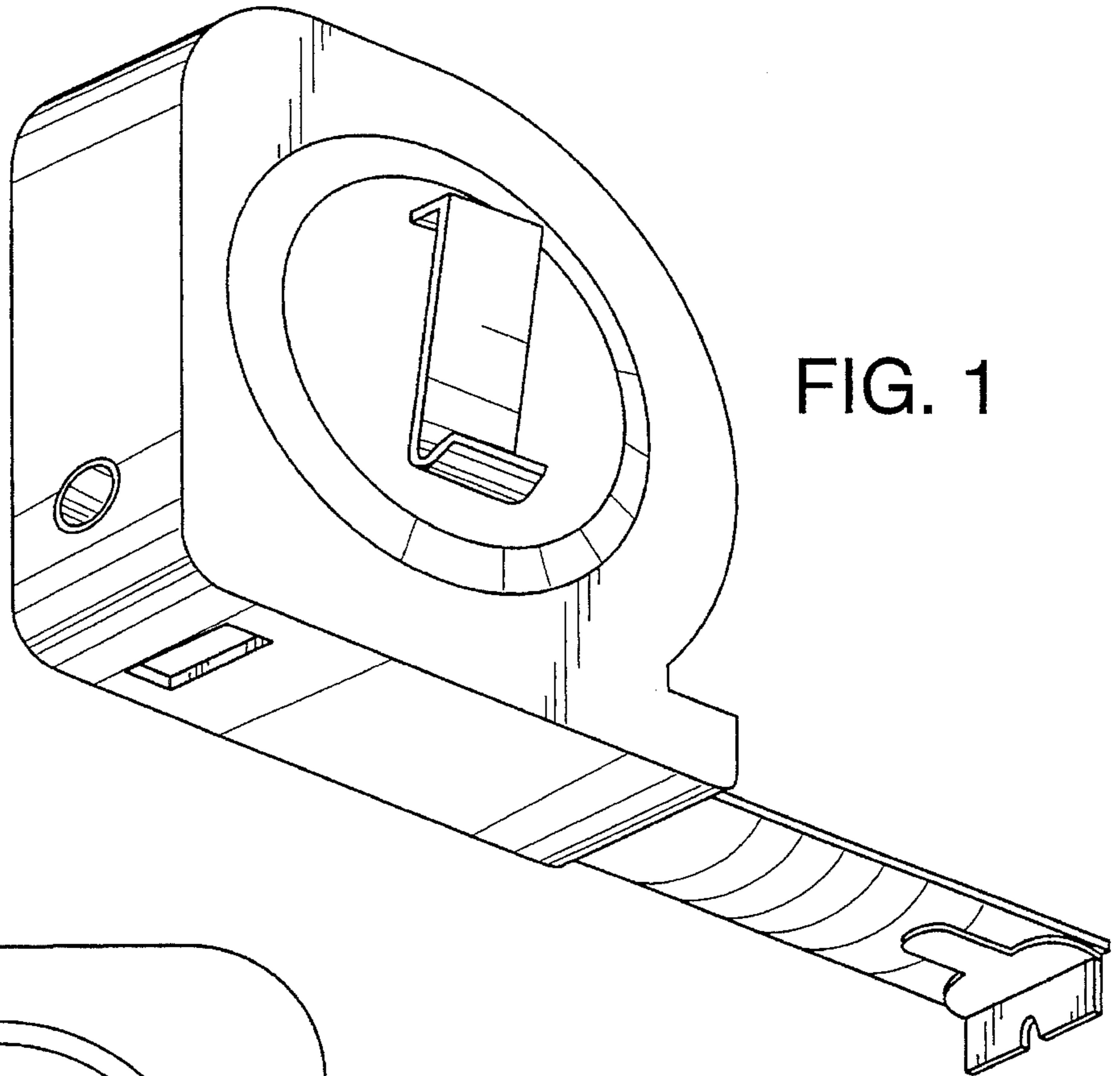


FIG. 1

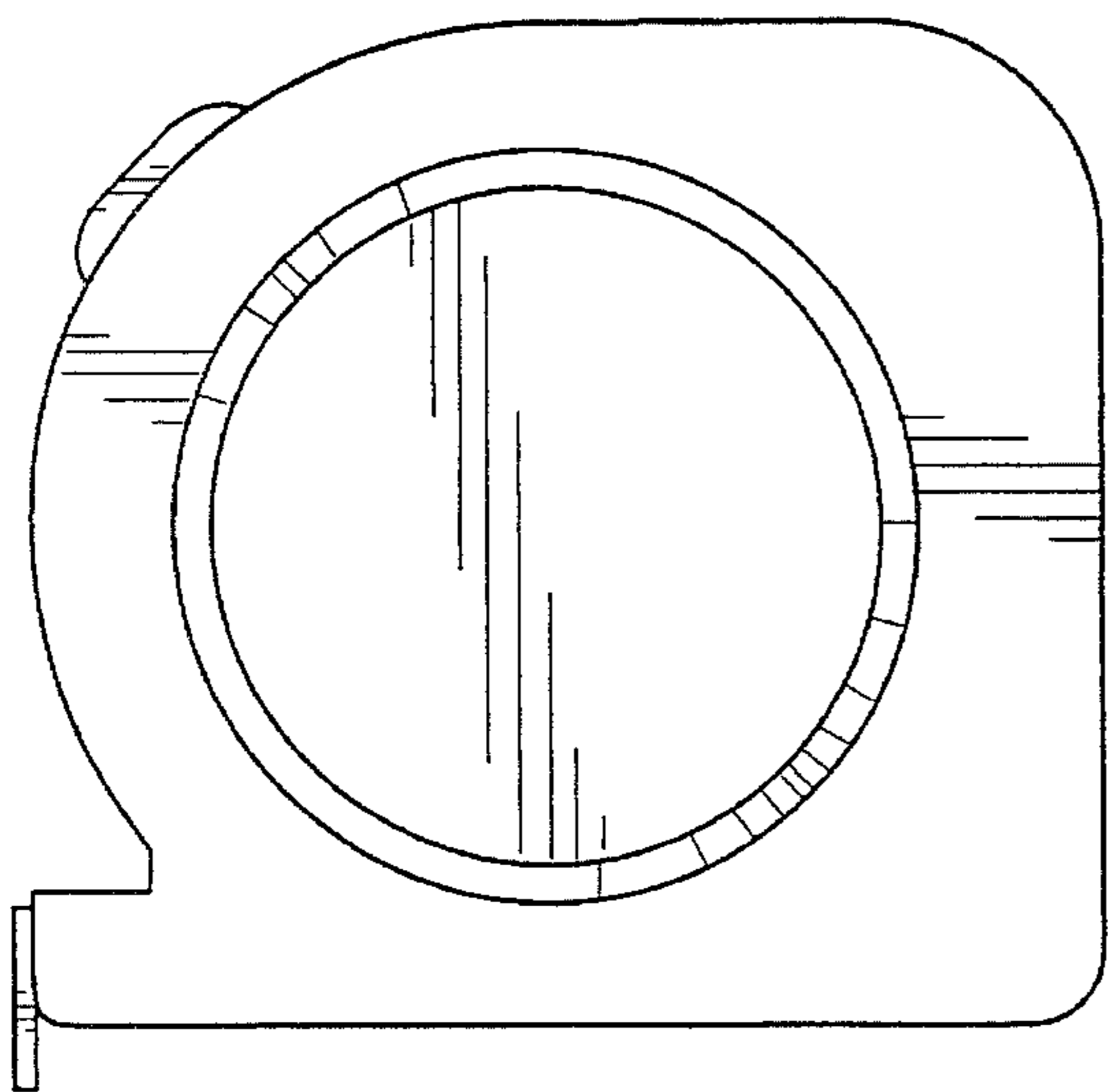


FIG. 2

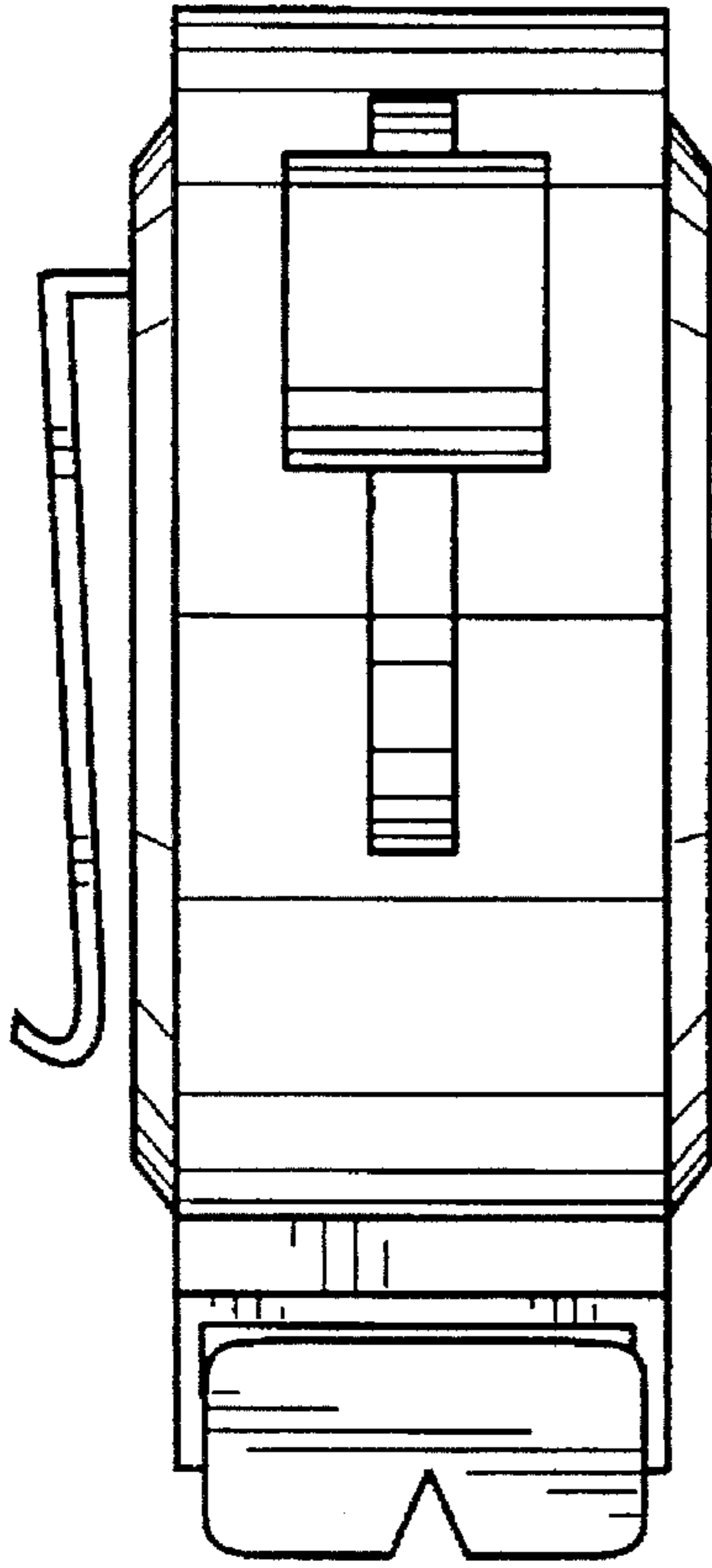


FIG. 3

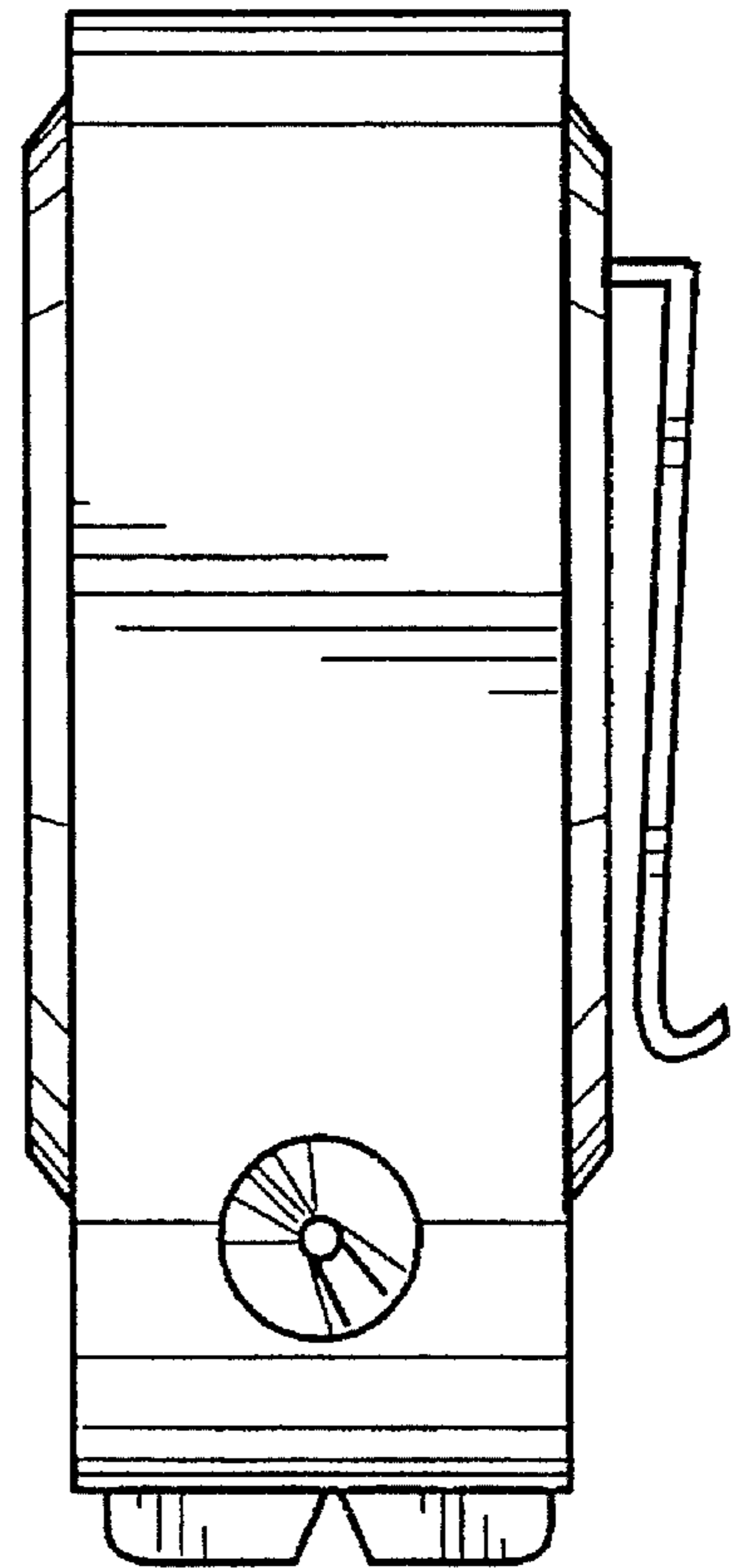


FIG. 4

FIG. 5

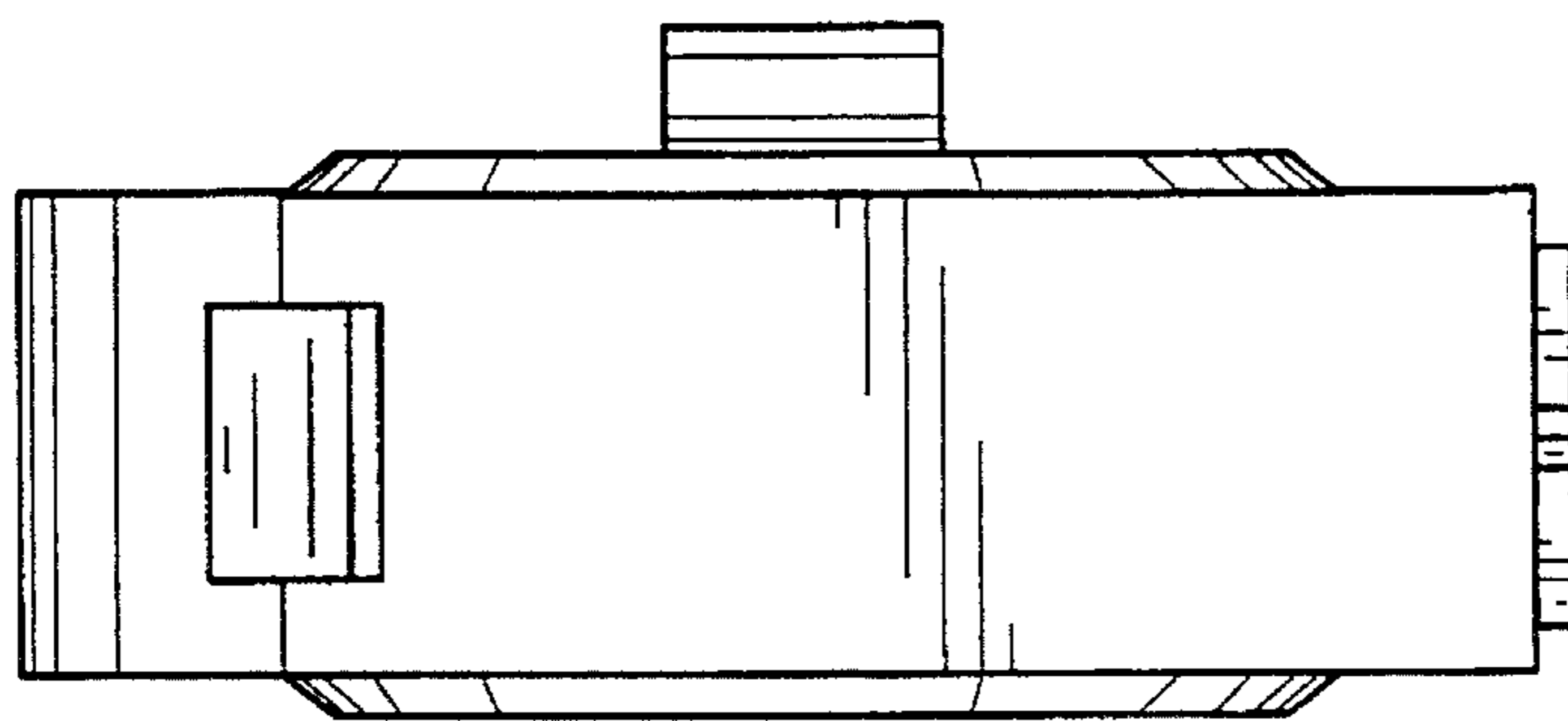
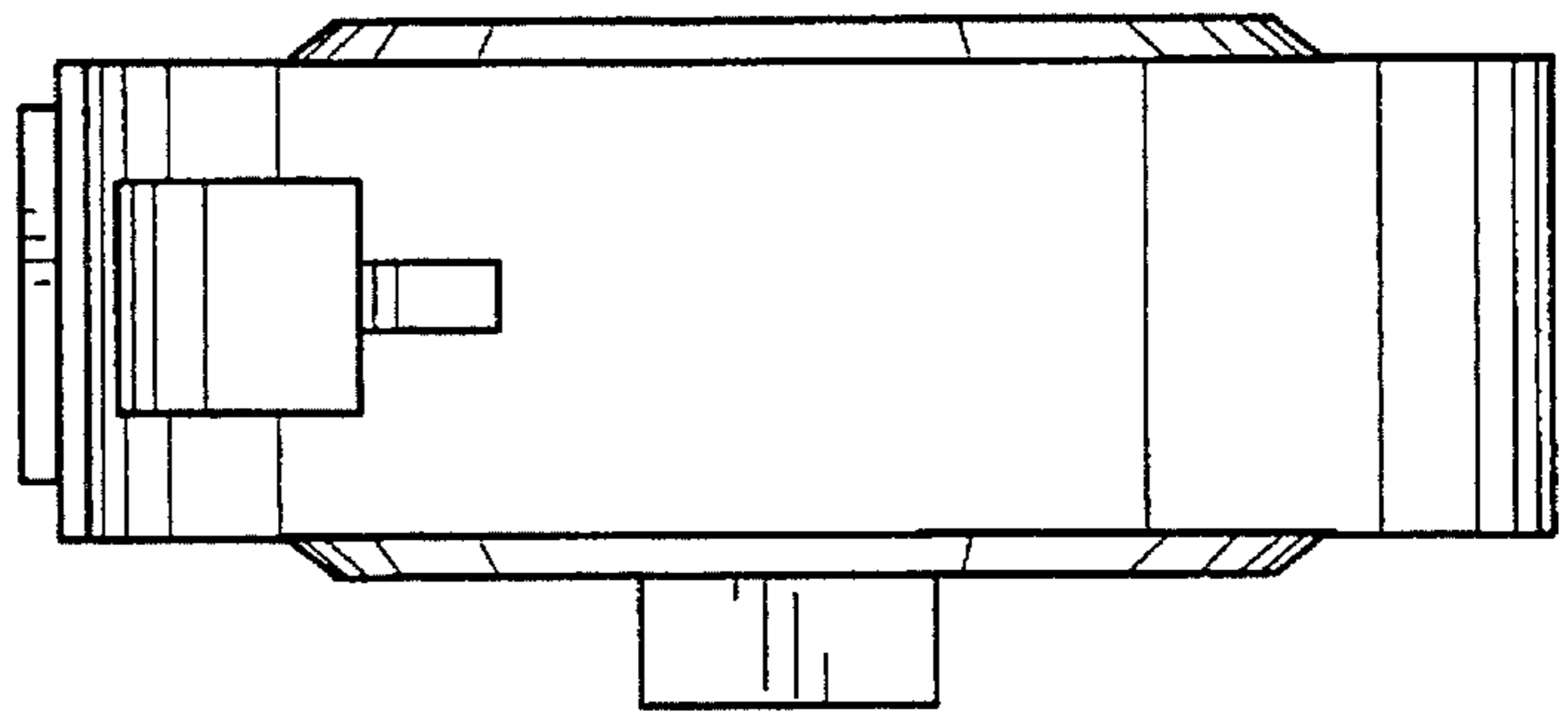


FIG. 6