



US00D367617S

# United States Patent [19]

[11] Patent Number: **Des. 367,617**

**Wiegman**

[45] Date of Patent: **\*\*Mar. 5, 1996**

[54] **WALLBOARD MEASURING AND CUTTING SQUARE**

*Primary Examiner*—Antoine Duval Davis  
*Attorney, Agent, or Firm*—Harold H. Dutton, Jr.

[76] Inventor: **Mark C. Wiegman**, 1696 Topside, Wharton, N.J. 07885

[57] **CLAIM**

[\*\*] Term: **14 Years**

The ornamental design for a wallboard measuring and cutting square, as shown and described.

[21] Appl. No.: **31,130**

**DESCRIPTION**

[22] Filed: **Nov. 18, 1994**

FIG. 1 is a front plan view of a wallboard measuring and cutting square showing my new design;

[52] U.S. Cl. .... **D10/65**

FIG. 2 is a rear plan view thereof;

[58] Field of Search ..... D10/64, 65, 62;  
33/403, 419, 420, 427, 428, 429, 432, 433,  
437, 464, 468, 470, 473, 476, 479, 483,  
484

FIG. 3 is a top edge view thereof;

FIG. 4 is a bottom edge view thereof;

FIG. 5 is a right side view thereof;

FIG. 6 is a left side view thereof;

FIG. 7 is a front plan view of the cutting handle, the square component of the claimed design has not been shown for ease of illustration;

FIG. 8 is a rear plan view thereof;

FIG. 9 is a top plan view thereof;

FIG. 10 is a bottom plan view thereof; and,

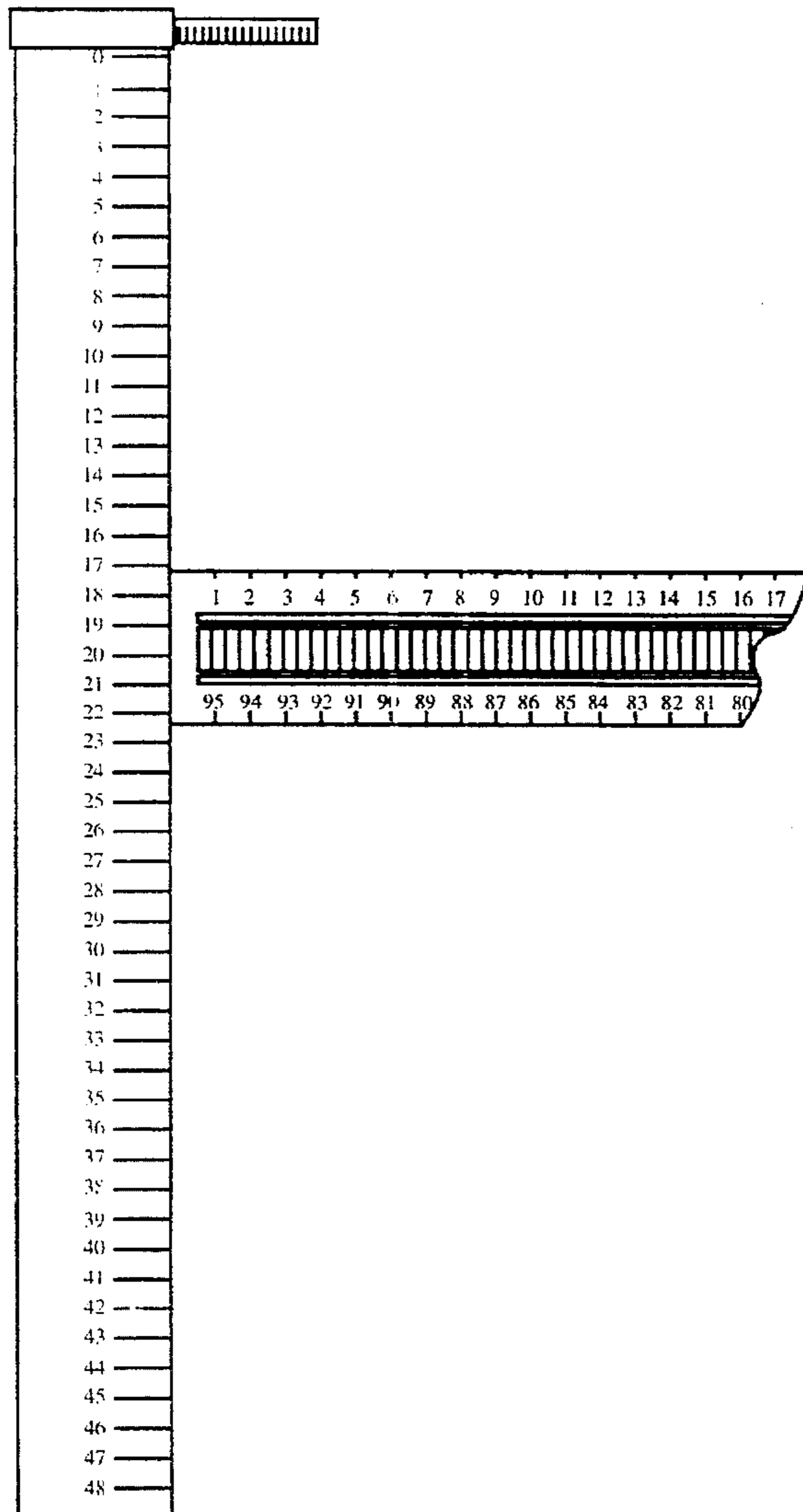
FIG. 11 is a side view thereof.

[56] **References Cited**

**U.S. PATENT DOCUMENTS**

D. 349,656	8/1994	Macleod	.....	D10/65
D. 356,966	4/1995	Rowe	.....	D10/70
4,060,902	12/1977	Keller	.....	33/403
4,825,559	5/1989	Santos	.....	D10/65 X

**1 Claim, 5 Drawing Sheets**



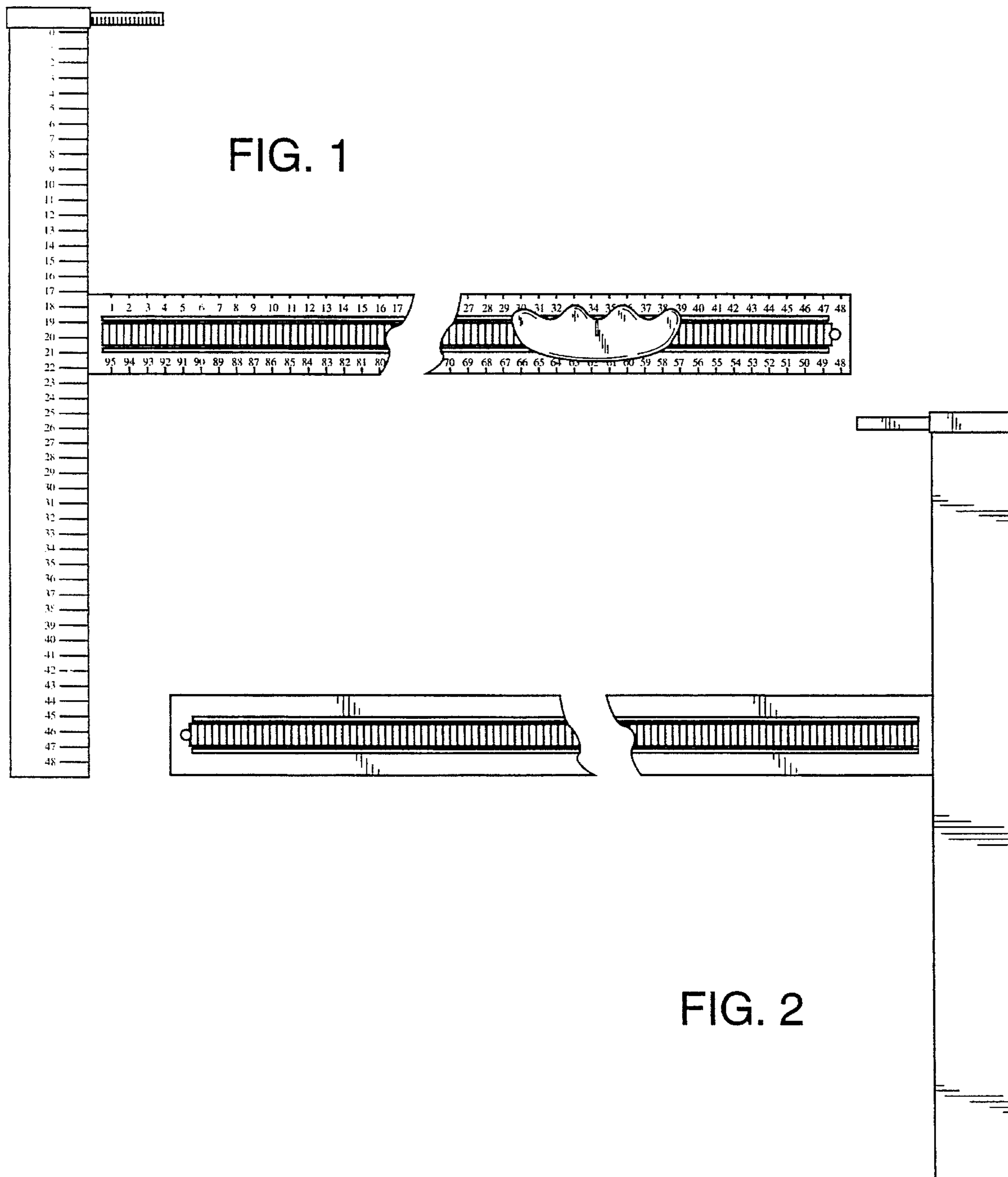


FIG. 1

FIG. 2

FIG. 3

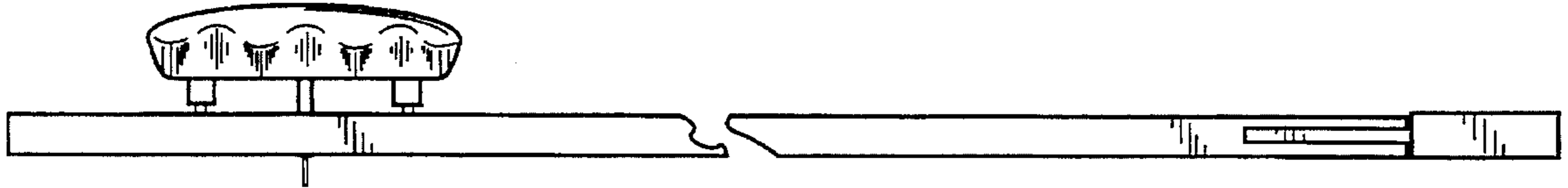


FIG. 4

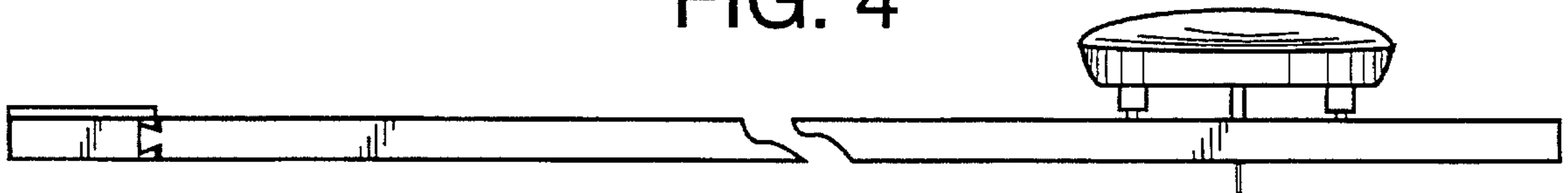


FIG. 5

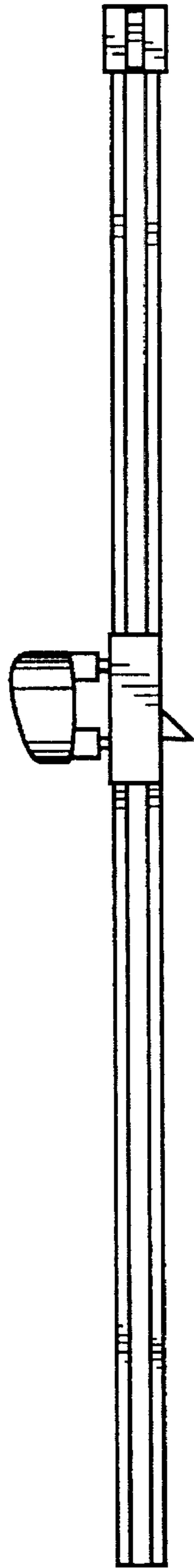


FIG. 6

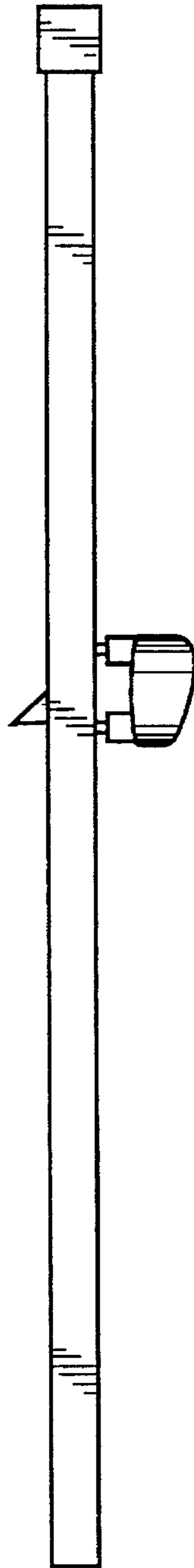


FIG. 7

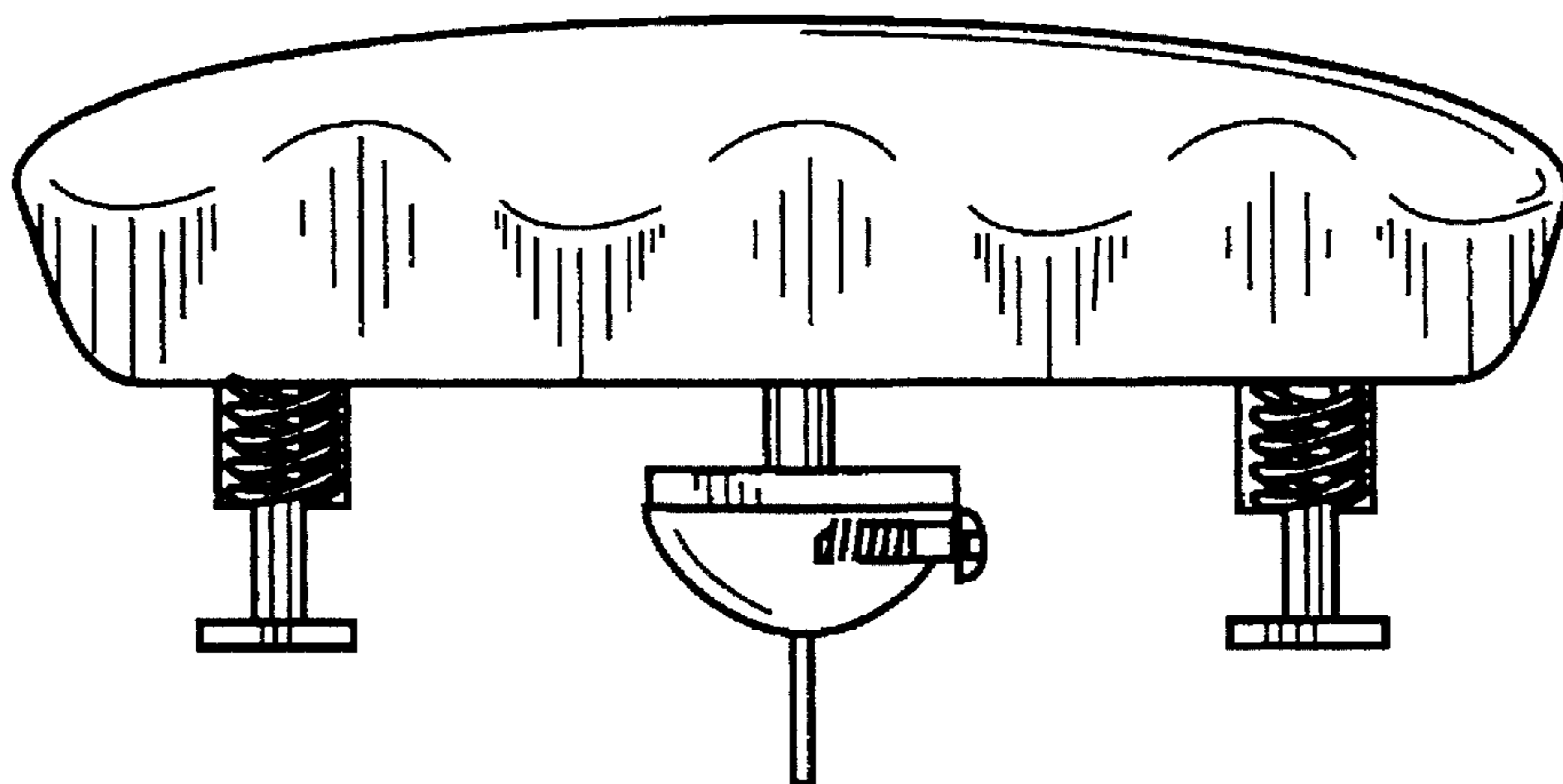
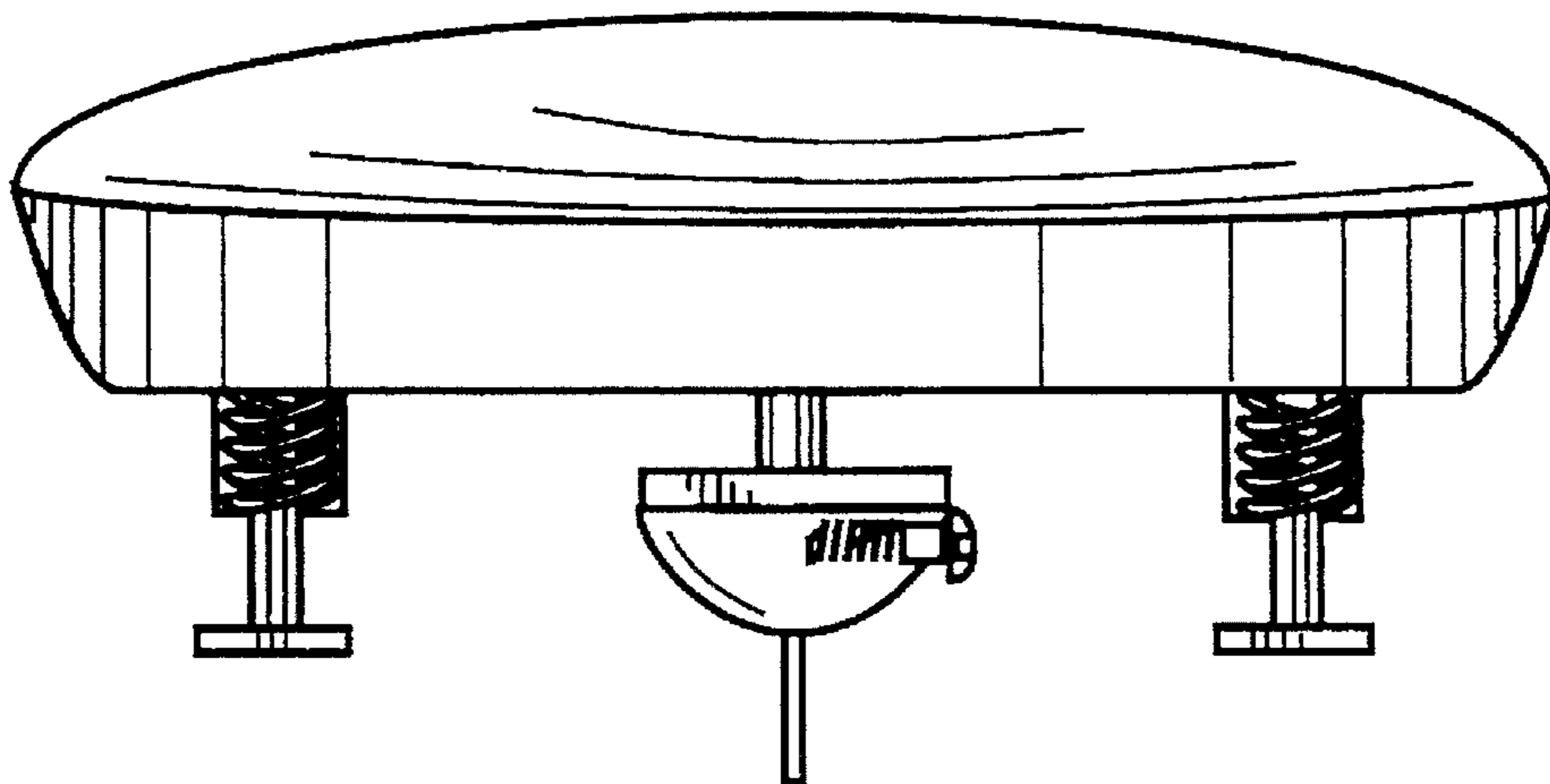


FIG. 8

FIG. 9

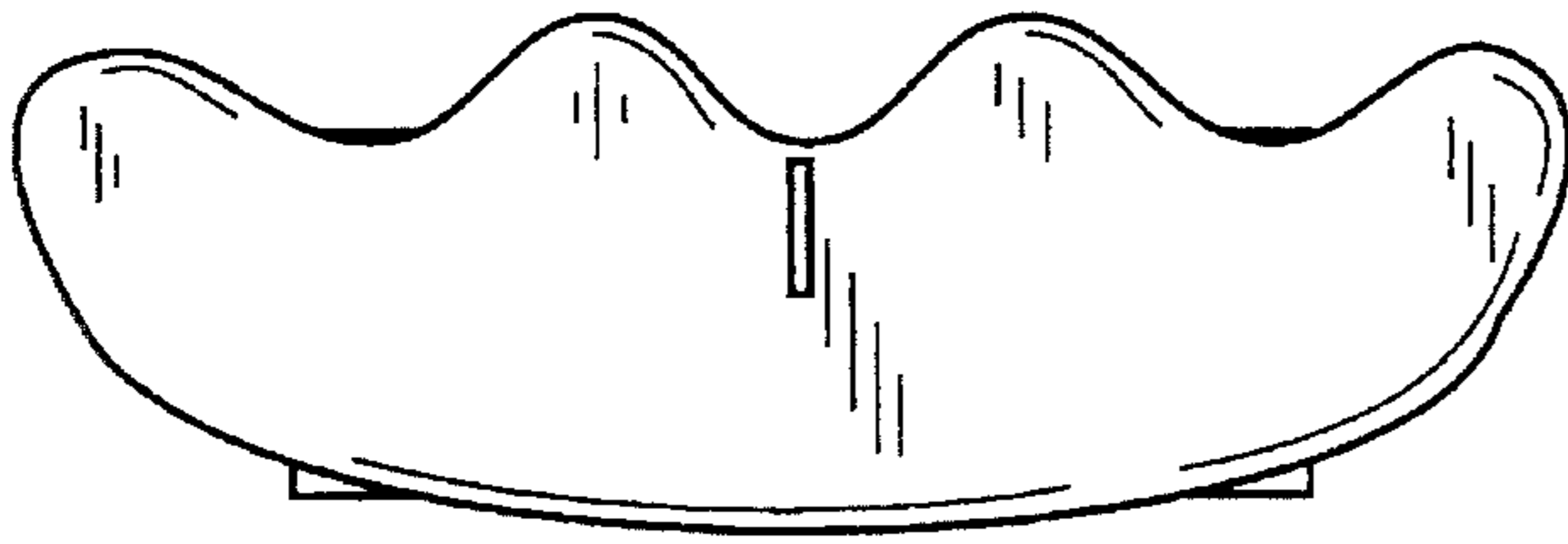


FIG. 10

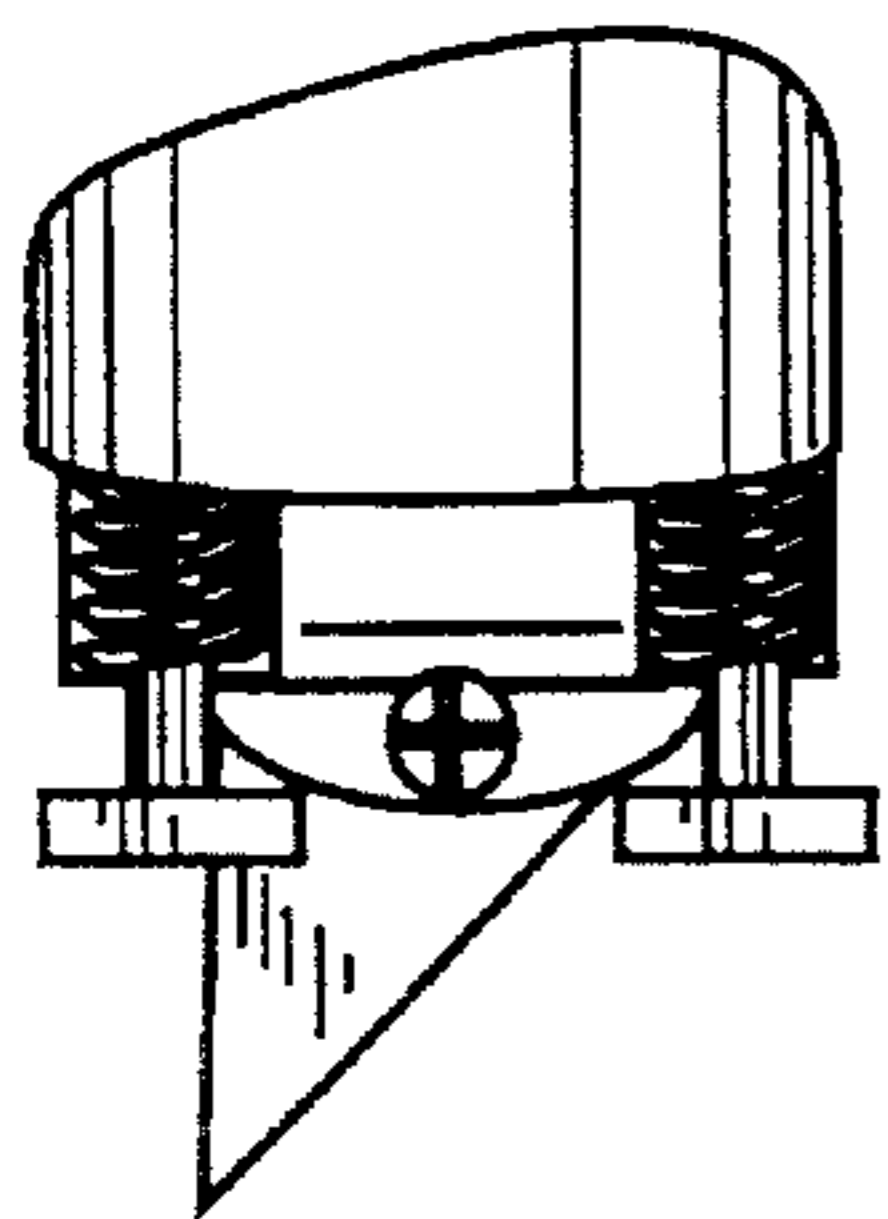
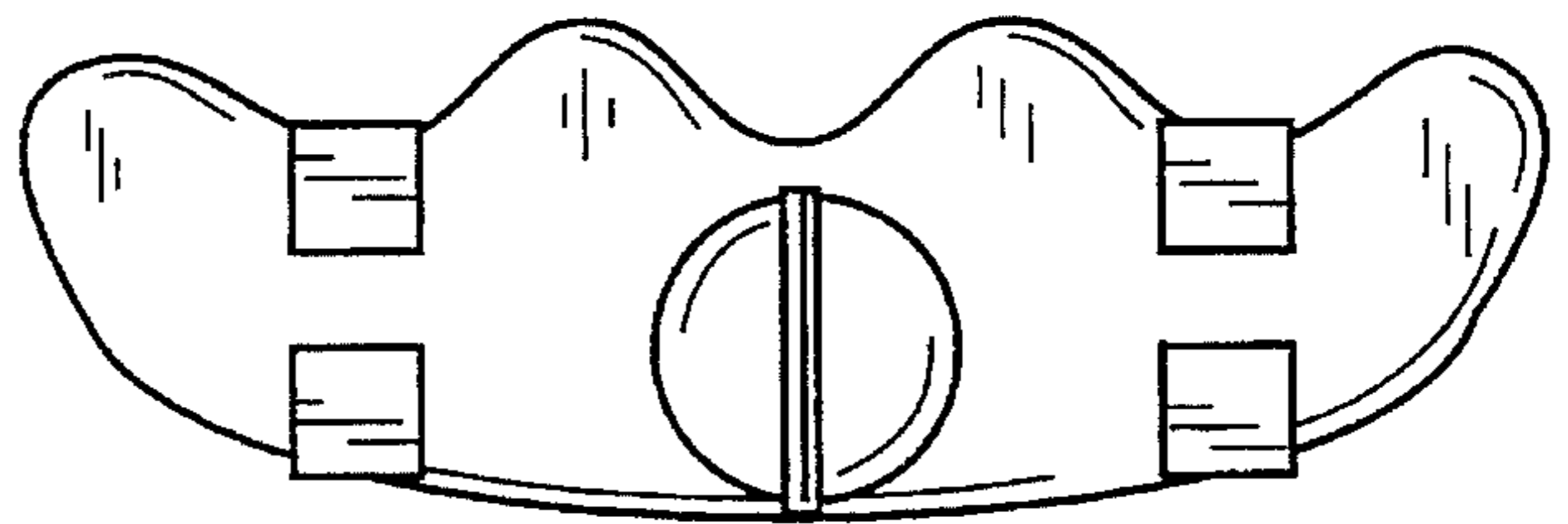


FIG. 11