



US00D367615S

**United States Patent** [19]  
**Kurczynski**

[11] **Patent Number: Des. 367,615**  
[45] **Date of Patent: \*\*Mar. 5, 1996**

[54] **CLOCK**

2,185,708 1/1940 Meyericks ..... 40/126

[76] Inventor: **Walter Kurczynski**, 3237 Carter Ave.,  
Marina del Rey, Calif. 90292

**OTHER PUBLICATIONS**

*Drag Specialties Cat*; 1987—Item #s 111110 and 111109 at  
top & bottom left.

[\*\*] Term: **14 Years**

*Primary Examiner*—Nelson C. Holtje  
*Attorney, Agent, or Firm*—Roger A. Marrs

[21] Appl. No.: **37,556**

[22] Filed: **Apr. 17, 1995**

[52] U.S. Cl. .... **D10/12; D10/6**

[58] **Field of Search** ..... D10/12; D12/114,  
D12/110, 126, 400; D15/1, 3; 368/276–277,  
285, 10

[57] **CLAIM**

The ornamental design for clock, as shown and described.

**DESCRIPTION**

FIG. 1 is a front elevational view of a clock showing my new  
design;

FIG. 2 is a right side elevational view thereof;

FIG. 3 is a left side elevational view thereof;

FIG. 4 is a top plan view thereof; and,

FIG. 5 is a bottom view thereof.

The rear of the clock, not shown, is flat and plain.

[56] **References Cited**

**U.S. PATENT DOCUMENTS**

D. 277,485	2/1985	Iwakura	.....	D15/3
D. 277,756	2/1985	Davidson	.....	D15/3
D. 294,264	2/1988	Davidson	.....	D15/3
D. 338,411	8/1993	Dupont	.....	D10/12
D. 348,461	7/1994	Peersmann	.....	D14/189
D. 348,881	7/1994	Peersmann	.....	D14/165

**1 Claim, 3 Drawing Sheets**

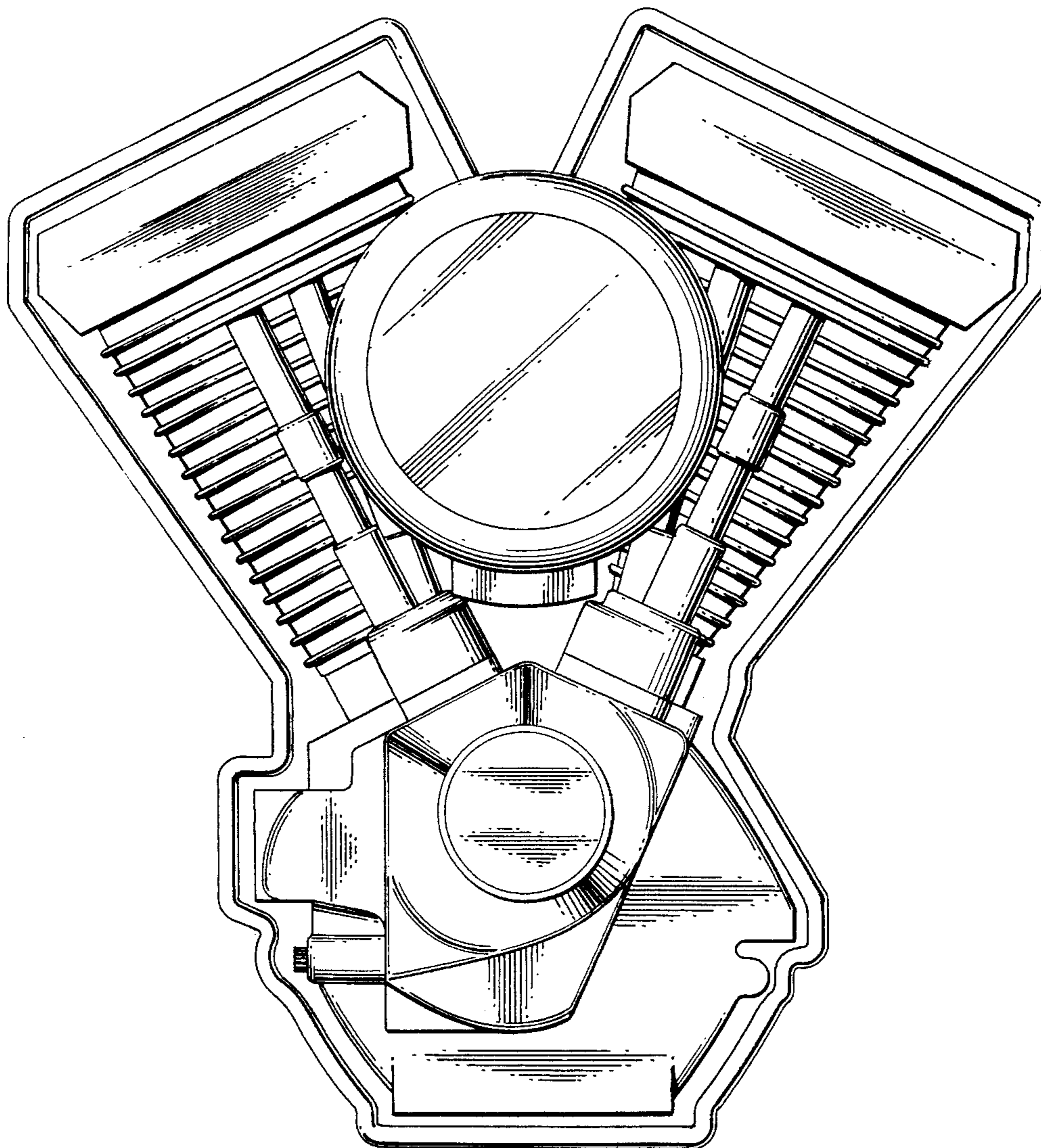


FIG. 1

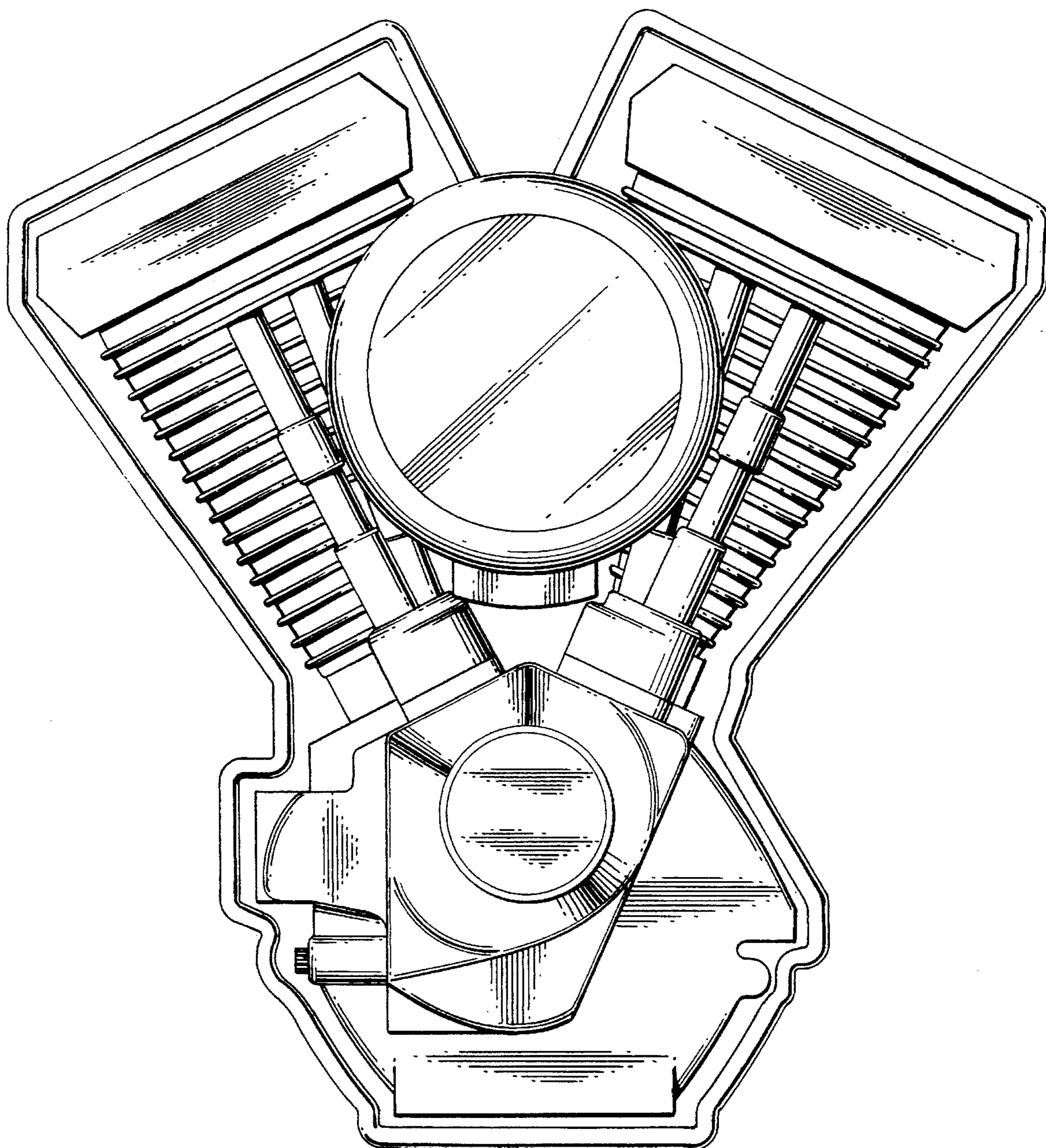


FIG. 2

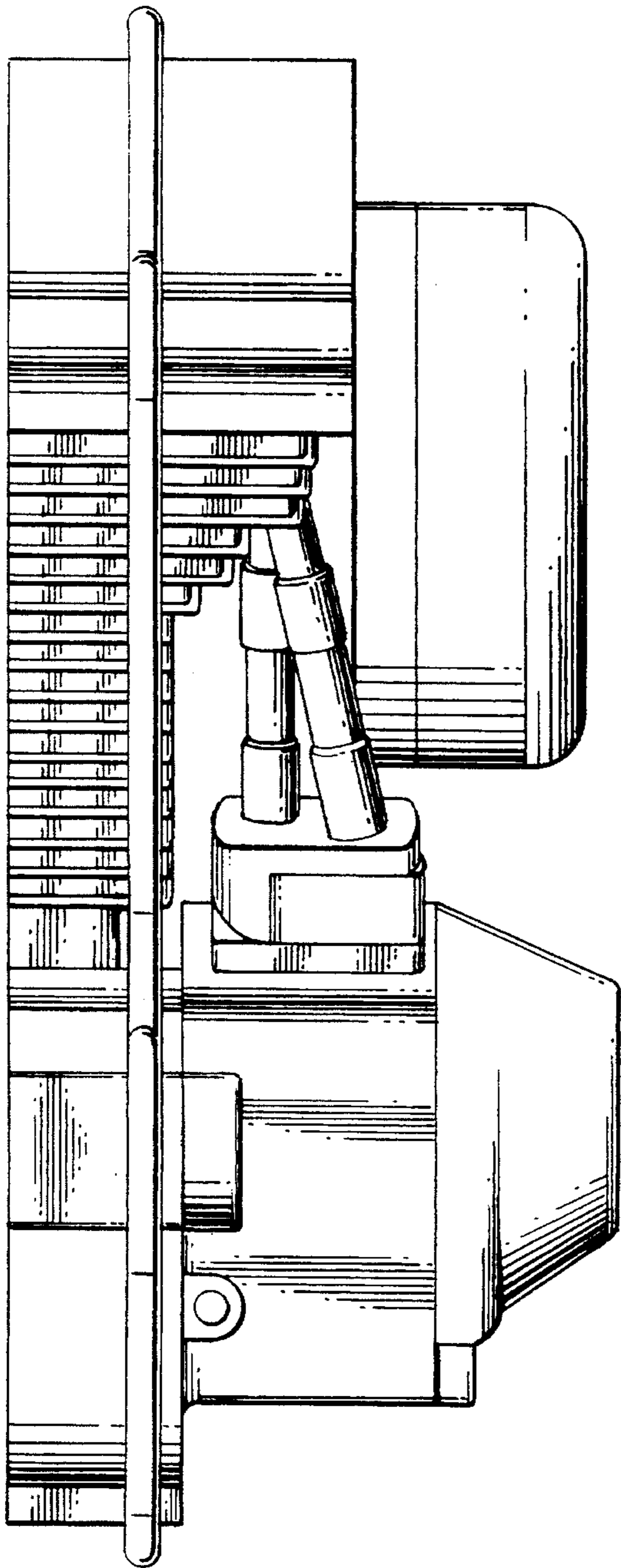


FIG. 3

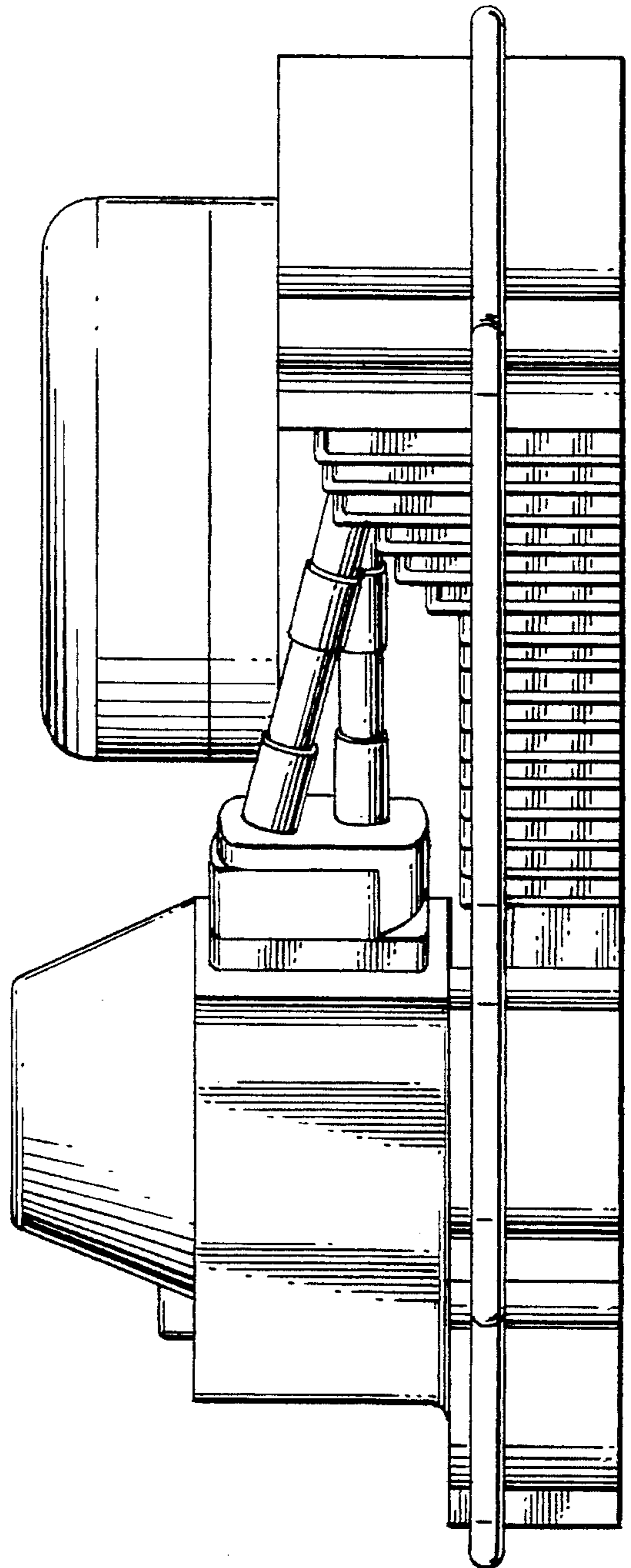


FIG. 4

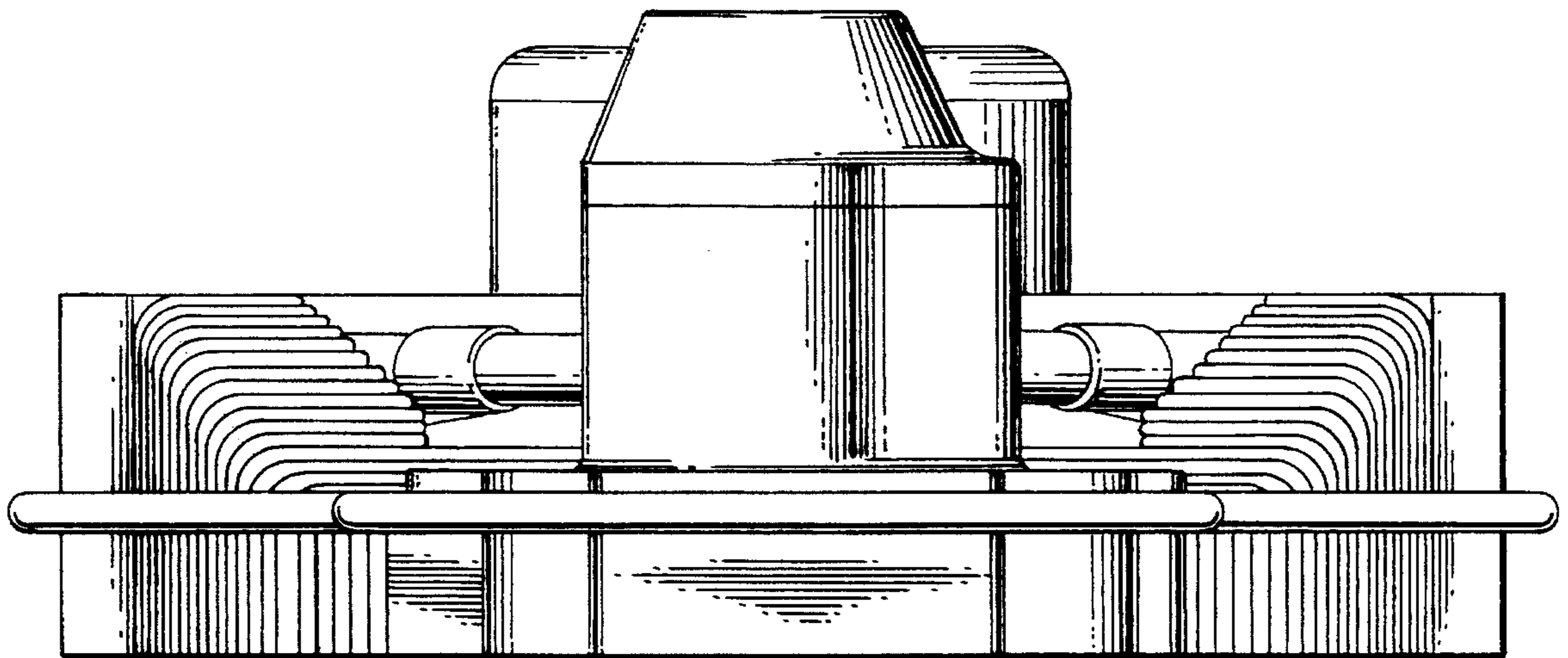
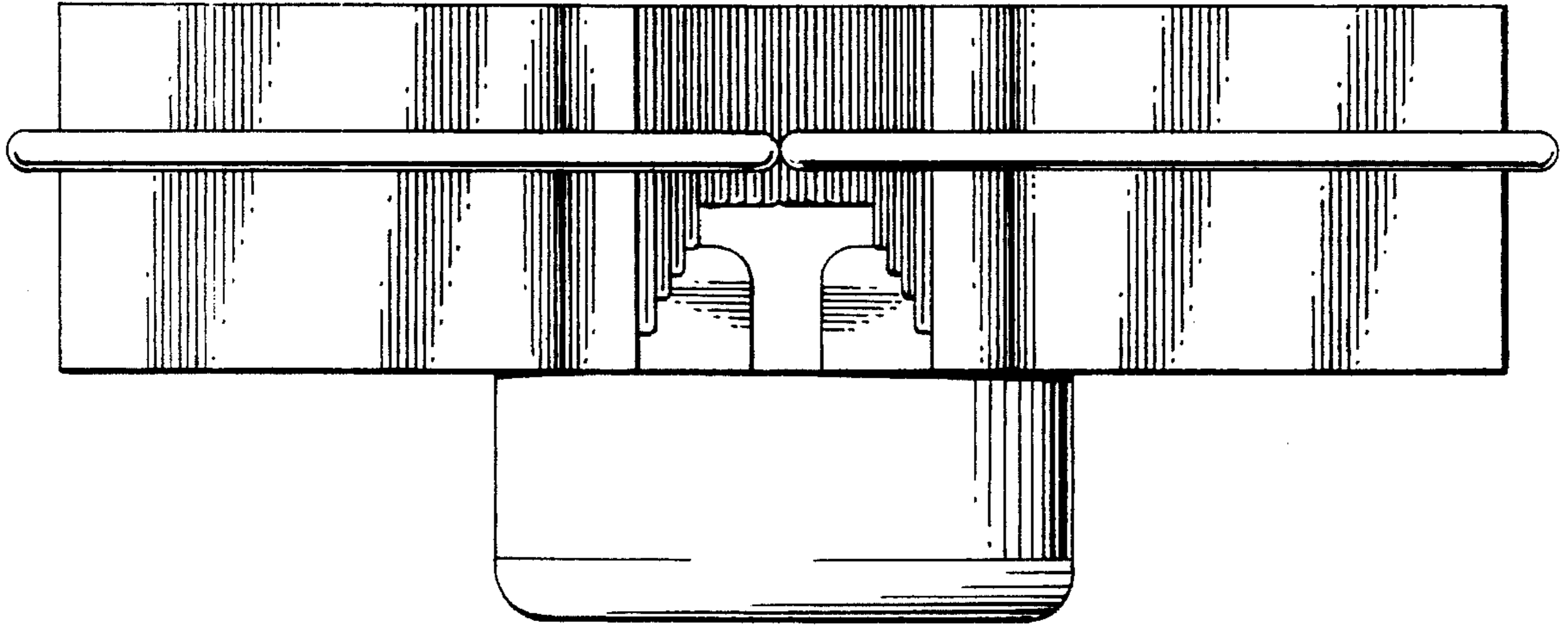


FIG. 5