



US00D367607S

# United States Patent [19]

[11] Patent Number: **Des. 367,607**

Johnson et al.

[45] Date of Patent: **\*\*Mar. 5, 1996**

[54] CASSETTE TRAY

[75] Inventors: **David W. Johnson**, Tigard; **Brent R. Jones**, Tualatin; **John A. Wright**, Molalla, all of Oreg.

[73] Assignee: **Tektronix, Inc.**, Wilsonville, Oreg.

[\*\*] Term: **14 Years**

[21] Appl. No.: **38,862**

[22] Filed: **May 12, 1995**

[52] U.S. Cl. .... **D9/347**

[58] Field of Search ..... D14/121, 100, D14/114, 164; D9/341-347, 424, 425, 337; 206/469, 509, 307.1, 557, 558, 561, 308.1, 387.1, 387.14, 387.15; 220/669, 675; 222/325, 326, 327; D3/313

[56] **References Cited**

**U.S. PATENT DOCUMENTS**

D. 318,420 7/1991 Amelse ..... D9/341

D. 353,764	12/1994	Ho .....	D9/341
D. 358,761	5/1995	Ho .....	D9/341
4,375,850	3/1983	Smyth et al. ....	206/462 X
4,712,679	12/1987	Lowe .....	206/308.1
4,850,477	7/1989	Gelardi et al. ....	206/45.19
5,201,414	4/1993	Kaszubinski .....	206/308.1
5,297,675	3/1994	Martucci .....	206/308.1

*Primary Examiner*—Prabhakar G. Deshmukh  
*Attorney, Agent, or Firm*—Ralph D'Alessandro

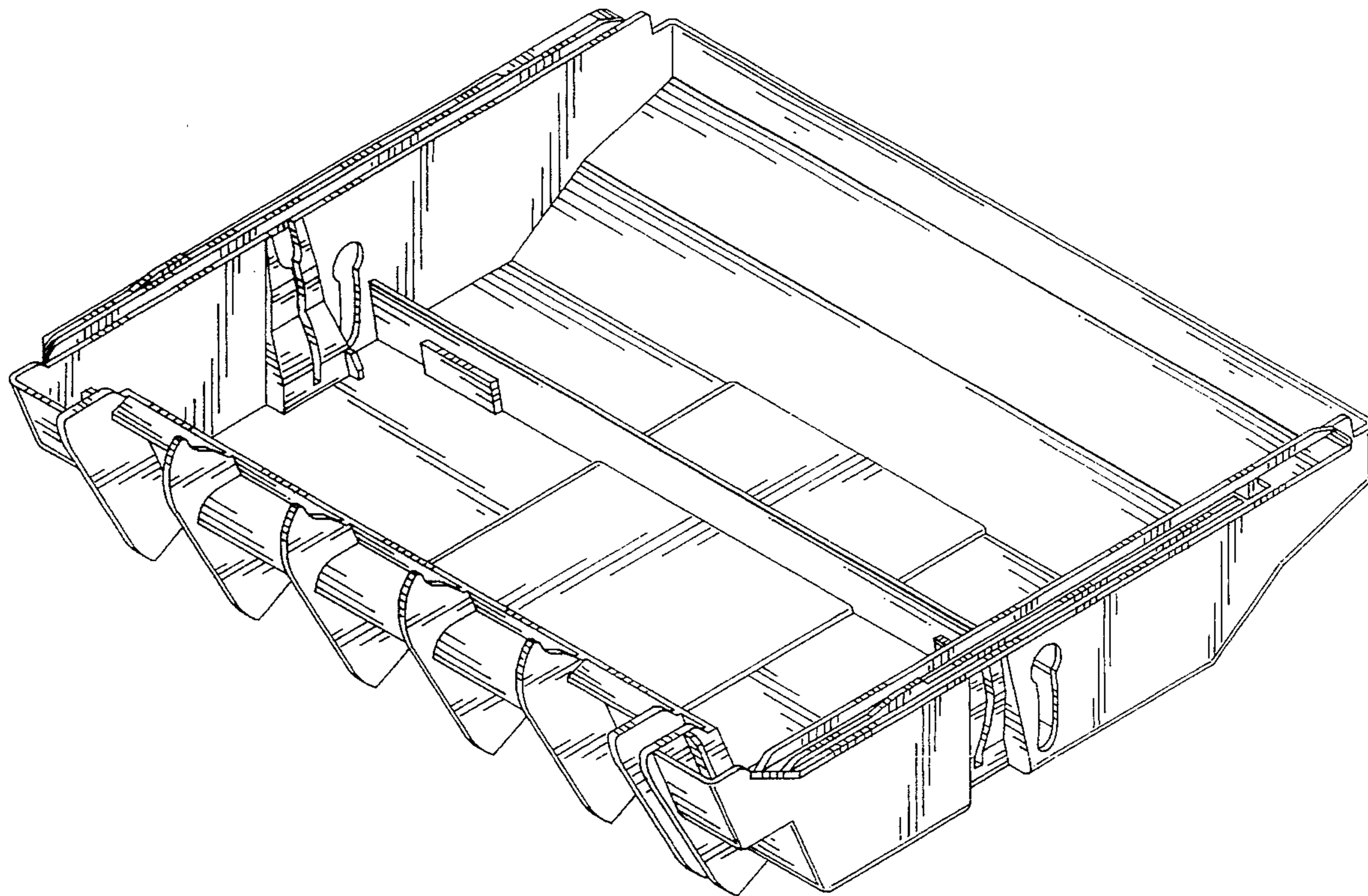
[57] **CLAIM**

The ornamental design for a cassette tray, shown and described.

**DESCRIPTION**

FIG. 1 is a front perspective view of the cassette tray; FIG. 2 is a right side elevational view thereof; FIG. 3 is a front elevational view thereof; FIG. 4 is a rear elevational view thereof; FIG. 5 is a top plan view thereof; and, FIG. 6 is a bottom plan view thereof.

**1 Claim, 4 Drawing Sheets**



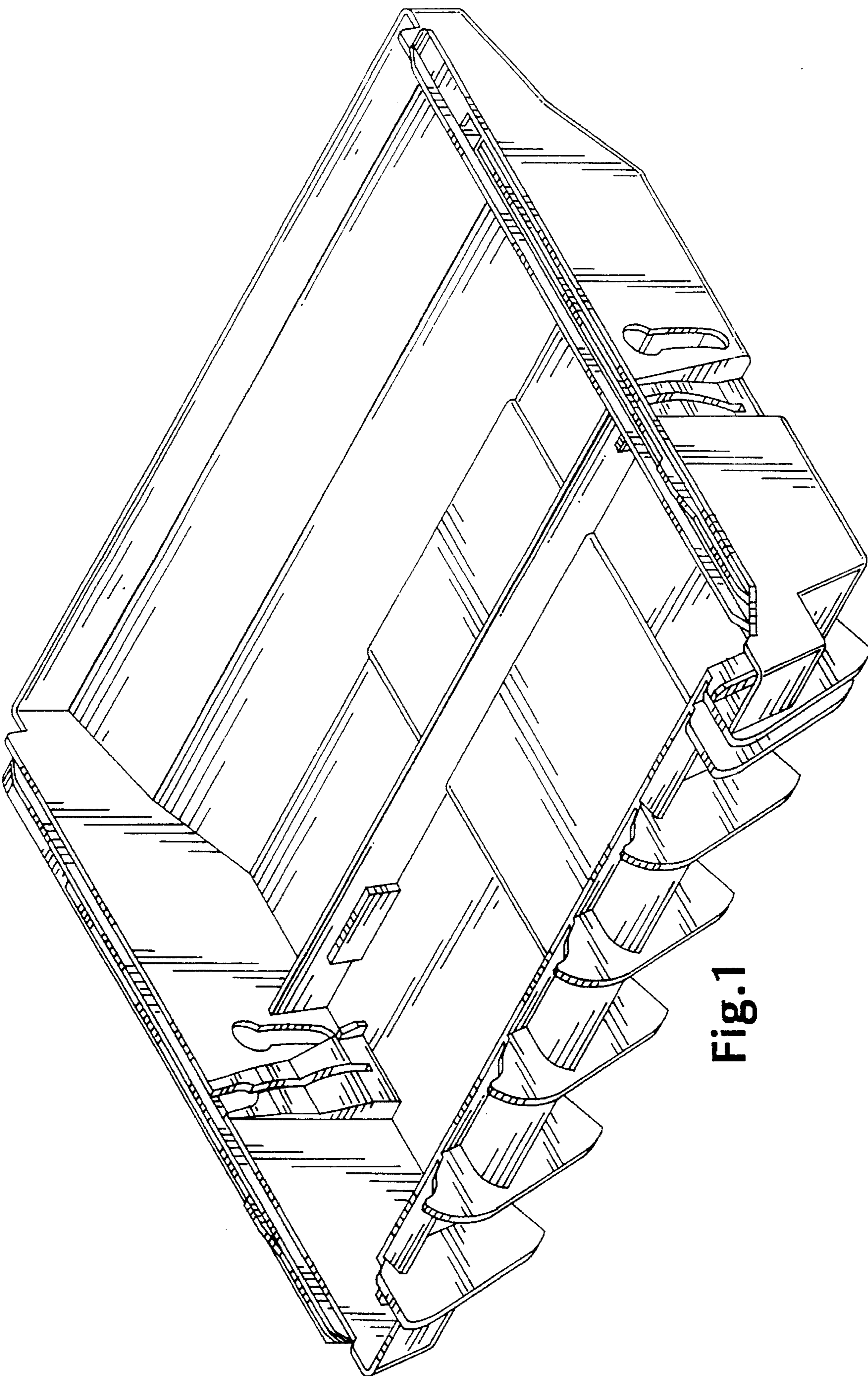


Fig.1

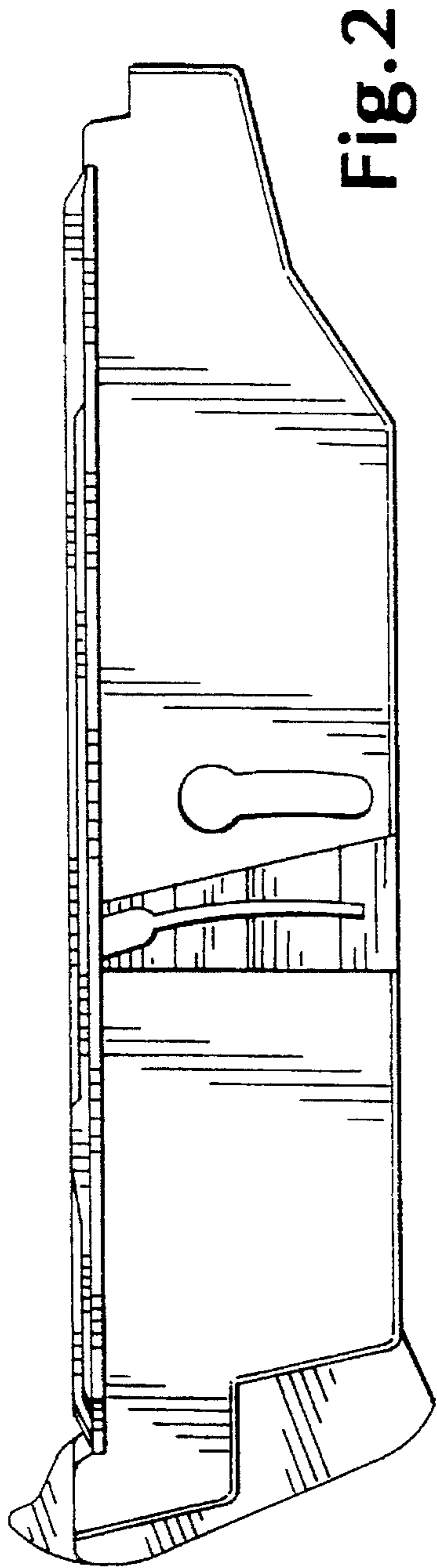


Fig. 2

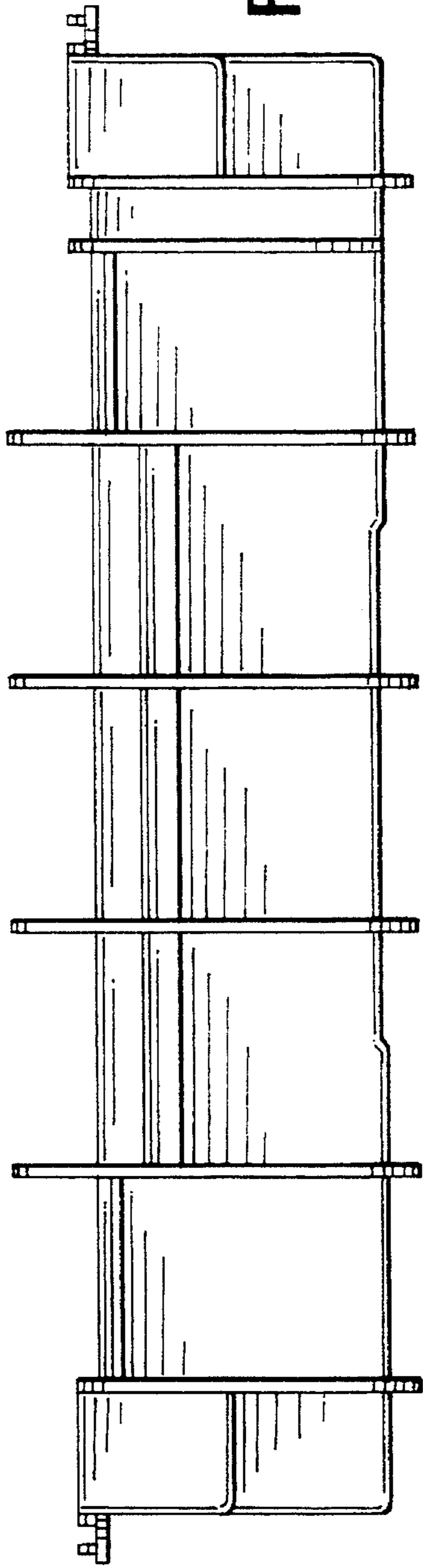


Fig. 3

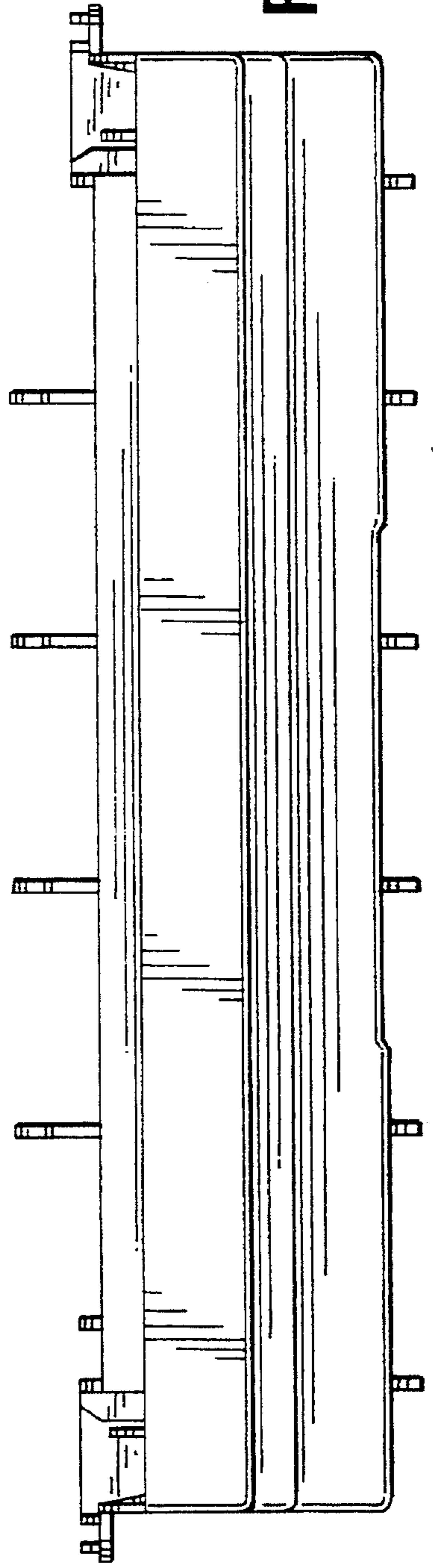


Fig. 4

Fig. 5

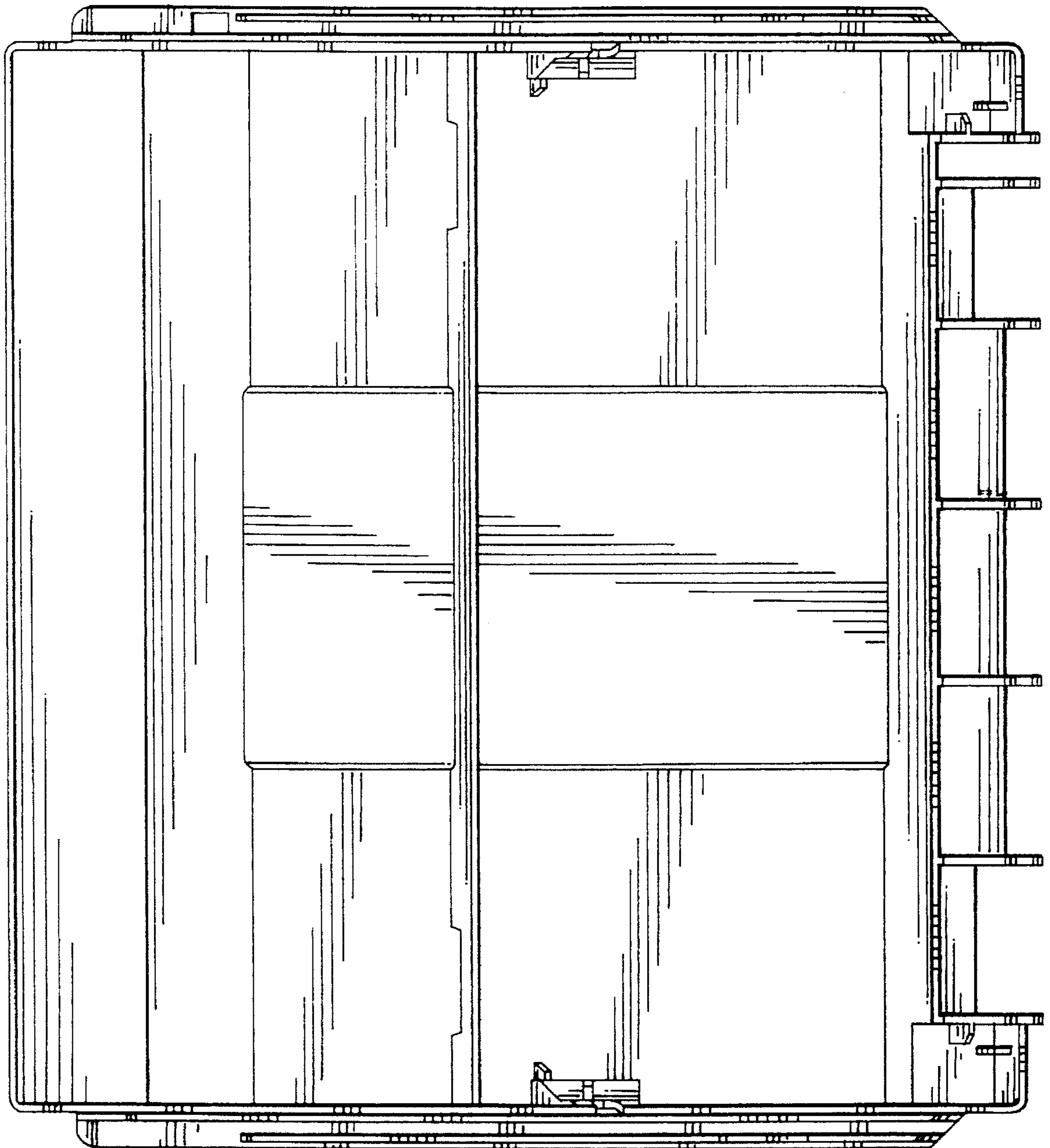


Fig. 6

