



US00D367596S

United States Patent [19]

Russell

[11] Patent Number: Des. 367,596

[45] Date of Patent: **Mar. 5, 1996

[54] HOLE PATCHER FOR USE ON WALLBOARD

4,715,151 12/1987 Garblik .
4,989,385 2/1991 McCullough 52/514

[76] Inventor: Thomas C. Russell, 3047 Wendmead Pl., Marietta, Ga. 30062

Primary Examiner—Ted Shooman
Assistant Examiner—Richelle Shelton
Attorney, Agent, or Firm—Terry M. Gernstein

[**] Term: 14 Years

[57] CLAIM

[21] Appl. No.: 27,772

The ornamental design for a hole patcher for use on wallboard, as shown and described.

[22] Filed: Aug. 31, 1994

[52] U.S. Cl. D8/14; D8/499; D25/199

[58] Field of Search D8/14, 499; D25/138, D25/199; 29/402.09; 52/514, 746, 745.09; 156/98; 206/321, 813; 264/36, 273

DESCRIPTION

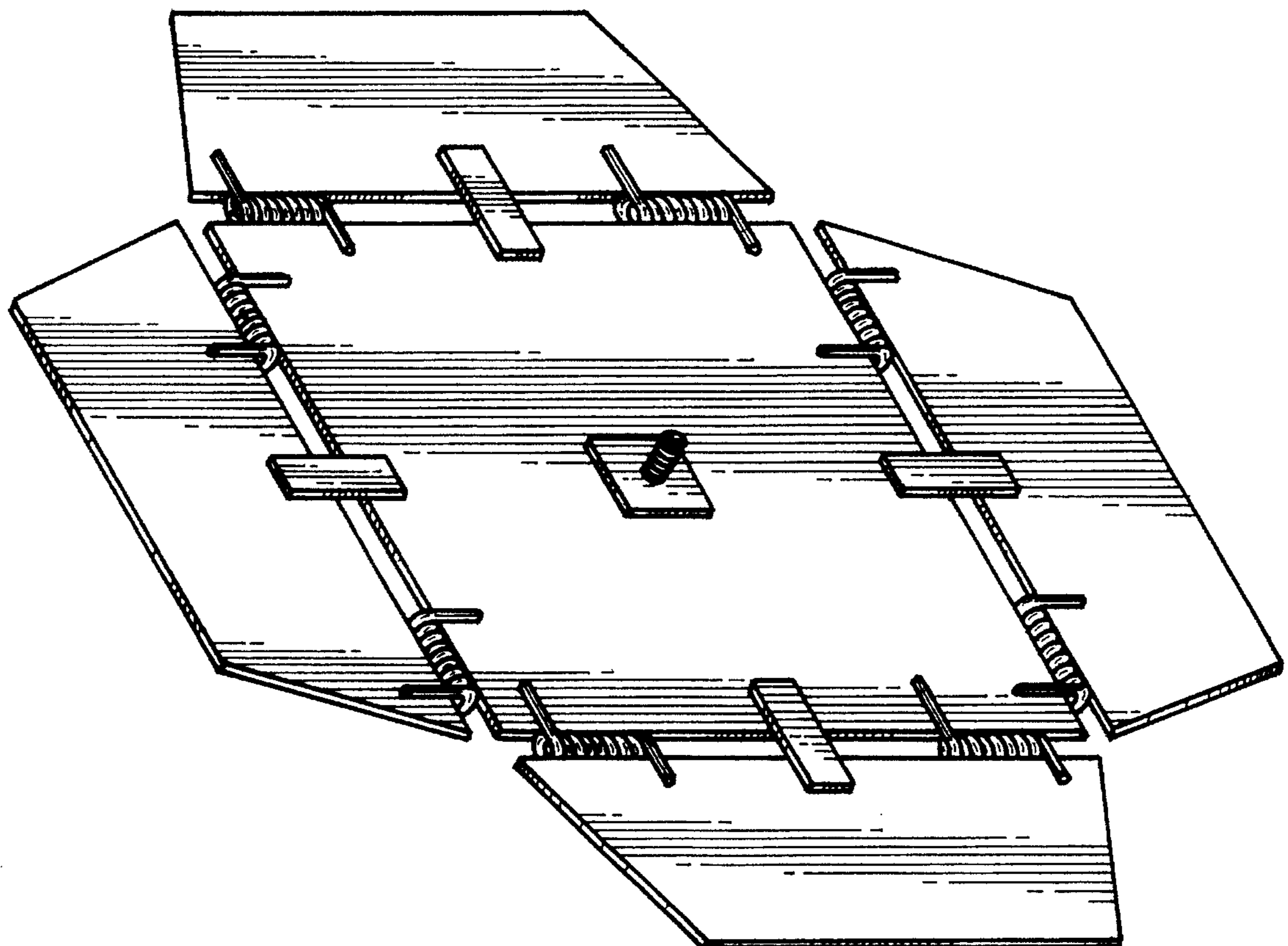
FIG. 1 is a front, top and side perspective view of the hole patcher for use on wallboard showing my new design; FIG. 2 is a front elevational view thereof; FIG. 3 is a rear elevational view thereof; and, FIG. 4 is a bottom plan view thereof, the top plan view, the left and right side elevation views all being a mirror image with the exception of the orientation of the bolt as viewed from the sides.

[56] References Cited

U.S. PATENT DOCUMENTS

2,997,416 8/1961 Helton 156/98
3,295,585 1/1967 Metz 52/514
4,471,594 9/1984 Doyle 156/98 X
4,620,407 11/1986 Schmid .

1 Claim, 3 Drawing Sheets



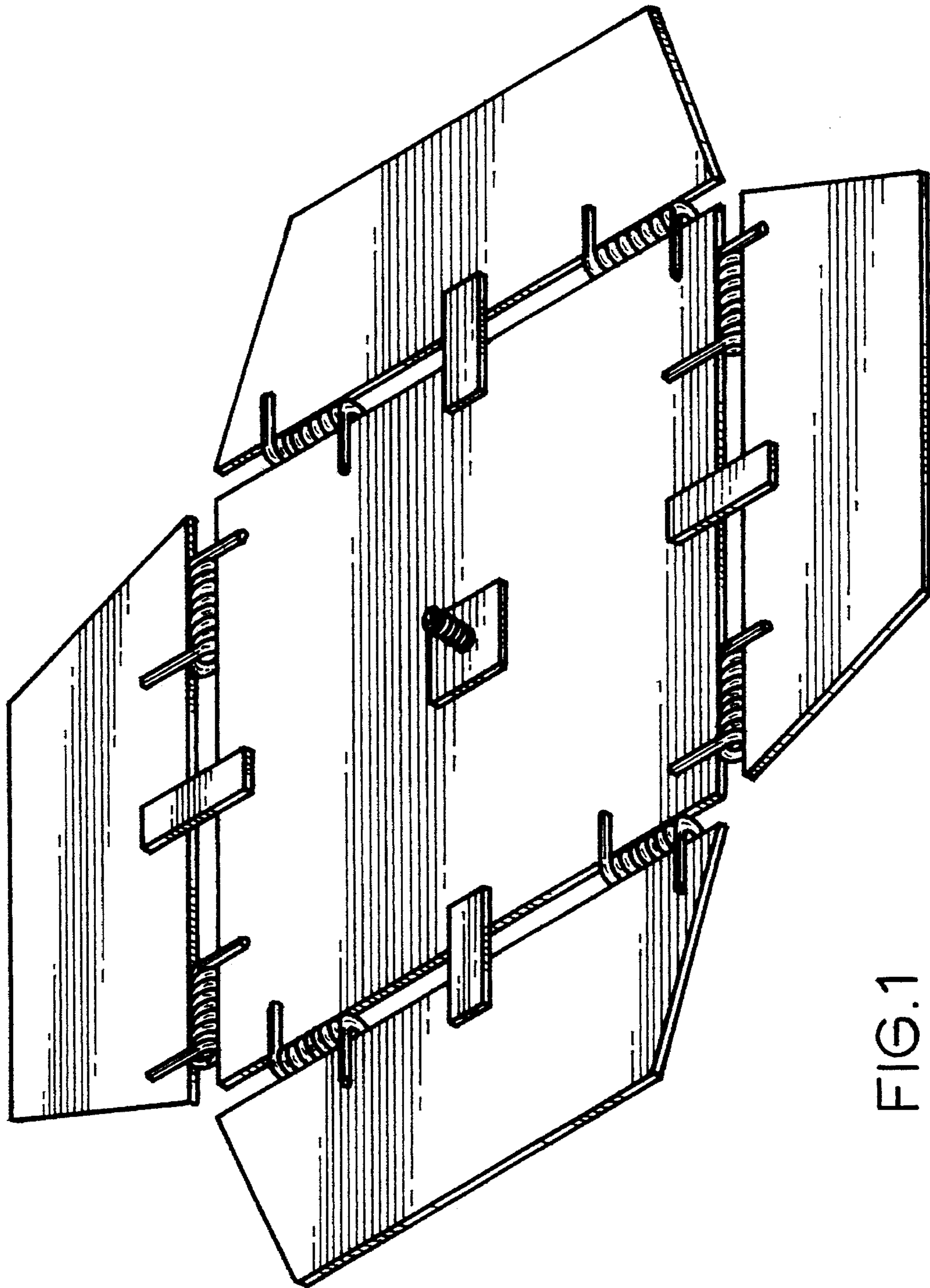


FIG.1

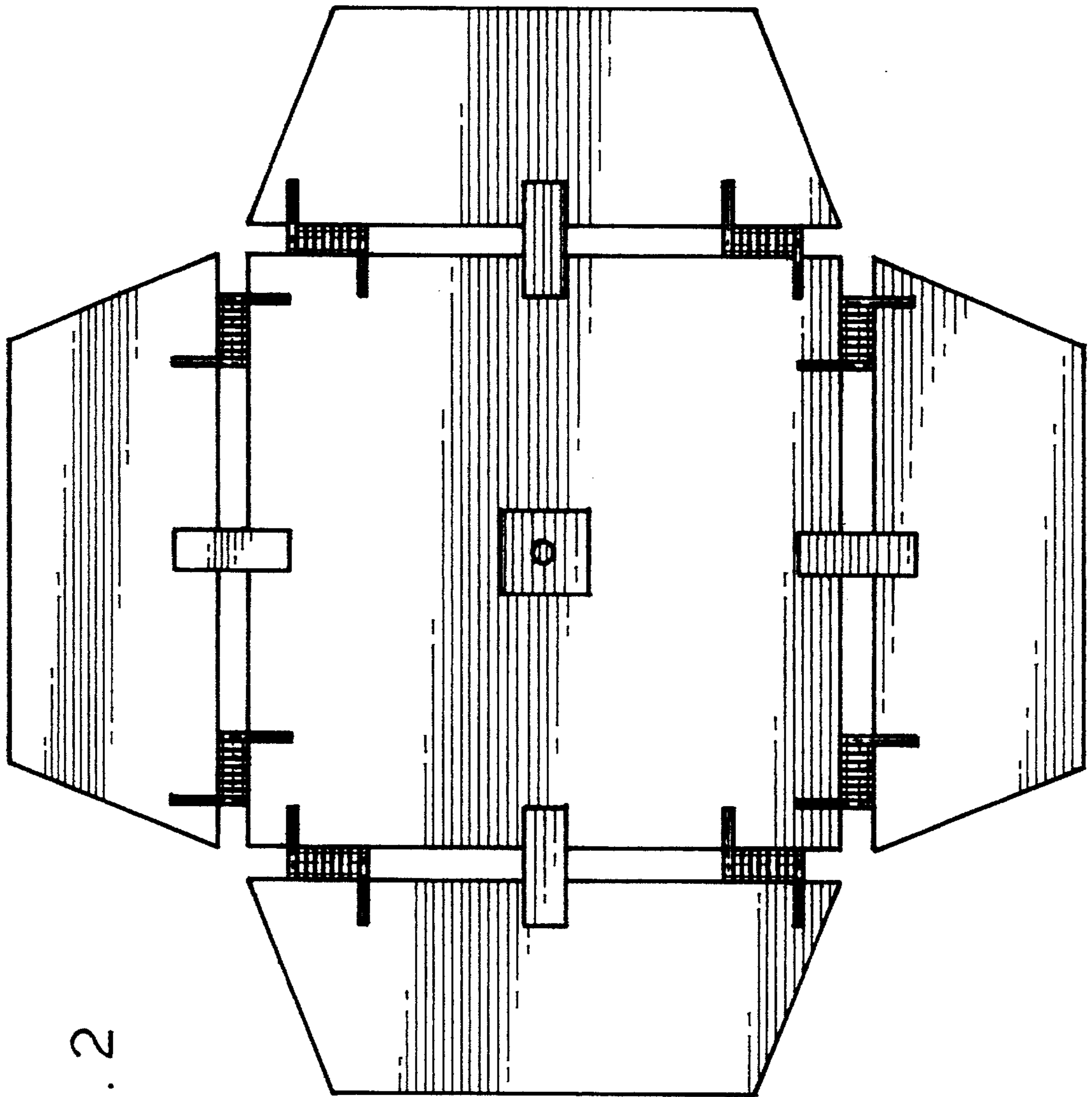


FIG. 2

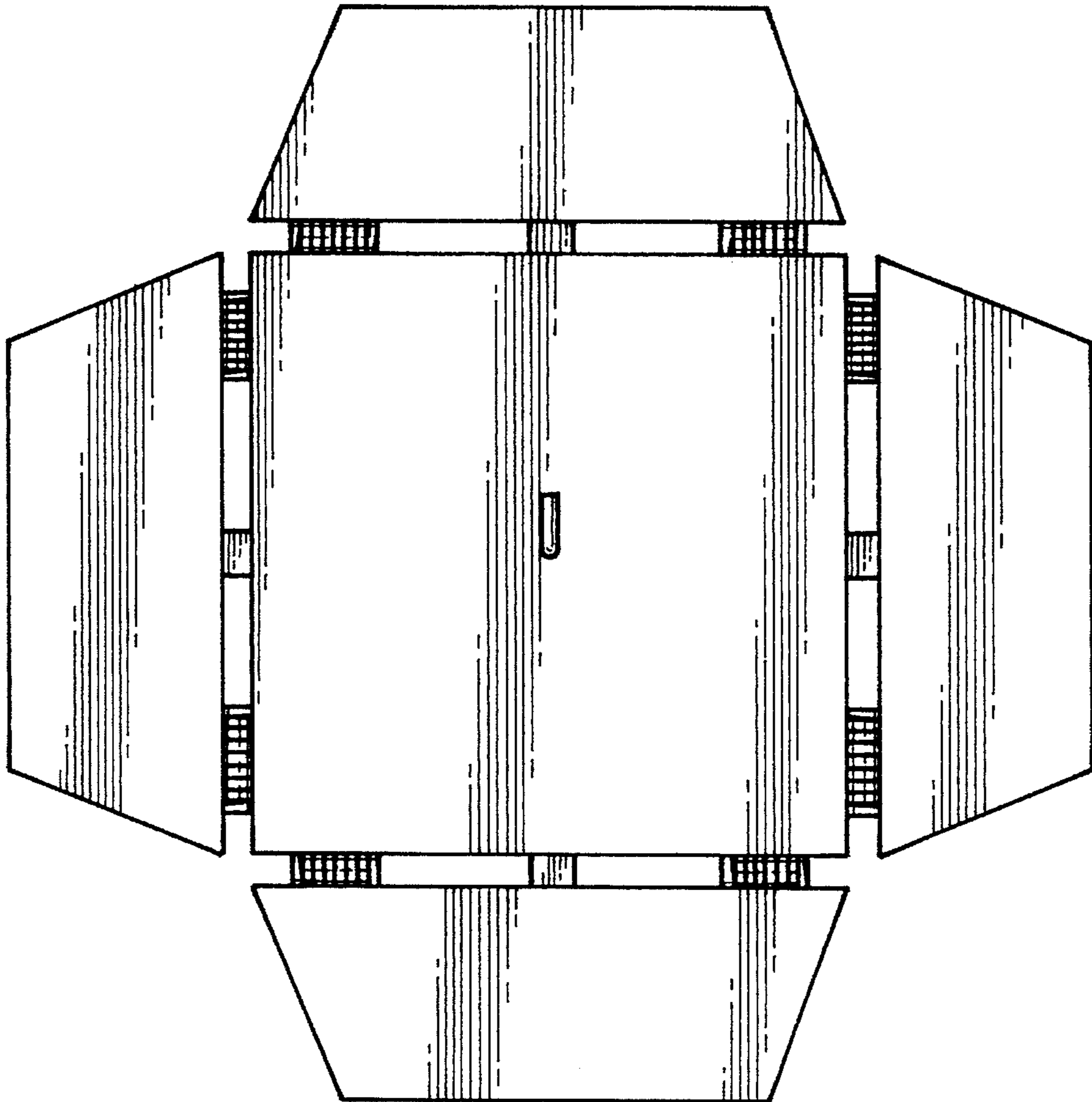


FIG. 3

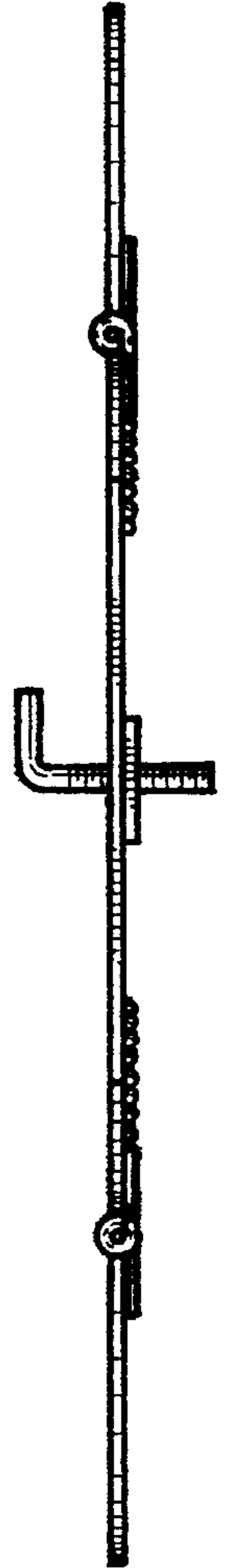


FIG. 4