



US00D367595S

United States Patent [19]

[11] Patent Number: **Des. 367,595**

Dahlberg et al.

[45] Date of Patent: ****Mar. 5, 1996**

[54] **SUSPENSION ATTACHMENT FOR A CLEARING SAW**

[75] Inventors: **Göran Dahlberg**, Gränna; **Mats Svensson**; **Mikael Nors**, both of Jönköping; **Göte Karlsson**, Huskvarna; **Kenneth Karlsson**, Huskvarna; **Rolf Janeke**, Huskvarna, all of Sweden

[73] Assignee: **Aktiebolaget Electrolux**, Stockholm, Sweden

[**] Term: **14 Years**

[21] Appl. No.: **22,072**

[22] Filed: **Apr. 28, 1994**

[30] **Foreign Application Priority Data**

Nov. 2, 1993 [SE] Sweden 932454

[52] U.S. Cl. **D8/8**

[58] Field of Search D8/8, 373; 56/12.7; 30/276, 275.4

[56] **References Cited**

PUBLICATIONS

The Green Machine brochure, Aug. 10, 1987, trimmer handle in middle of page.

Weed Eater brochure, Aug. 1986, p. 2, trimmer item No. 140 at bottom of page.

Primary Examiner—A. Hugo Word
Assistant Examiner—Holly Baynham
Attorney, Agent, or Firm—Pearne, Gordon, McCoy & Granger

[57] **CLAIM**

The ornamental design for a suspension attachment for a clearing saw, as shown and described.

DESCRIPTION

FIG. 1 is a right side elevational view of a suspension attachment for a clearing saw, showing our new design;

FIG. 2 is a left elevational view thereof;

FIG. 3 is a bottom plan view thereof;

FIG. 4 is a top plan view thereof;

FIG. 5 is a front elevational view thereof;

FIG. 6 is a rear elevational view thereof; and,

FIG. 7 is a perspective view as seen from a right and rear of the suspension hanger.

1 Claim, 6 Drawing Sheets

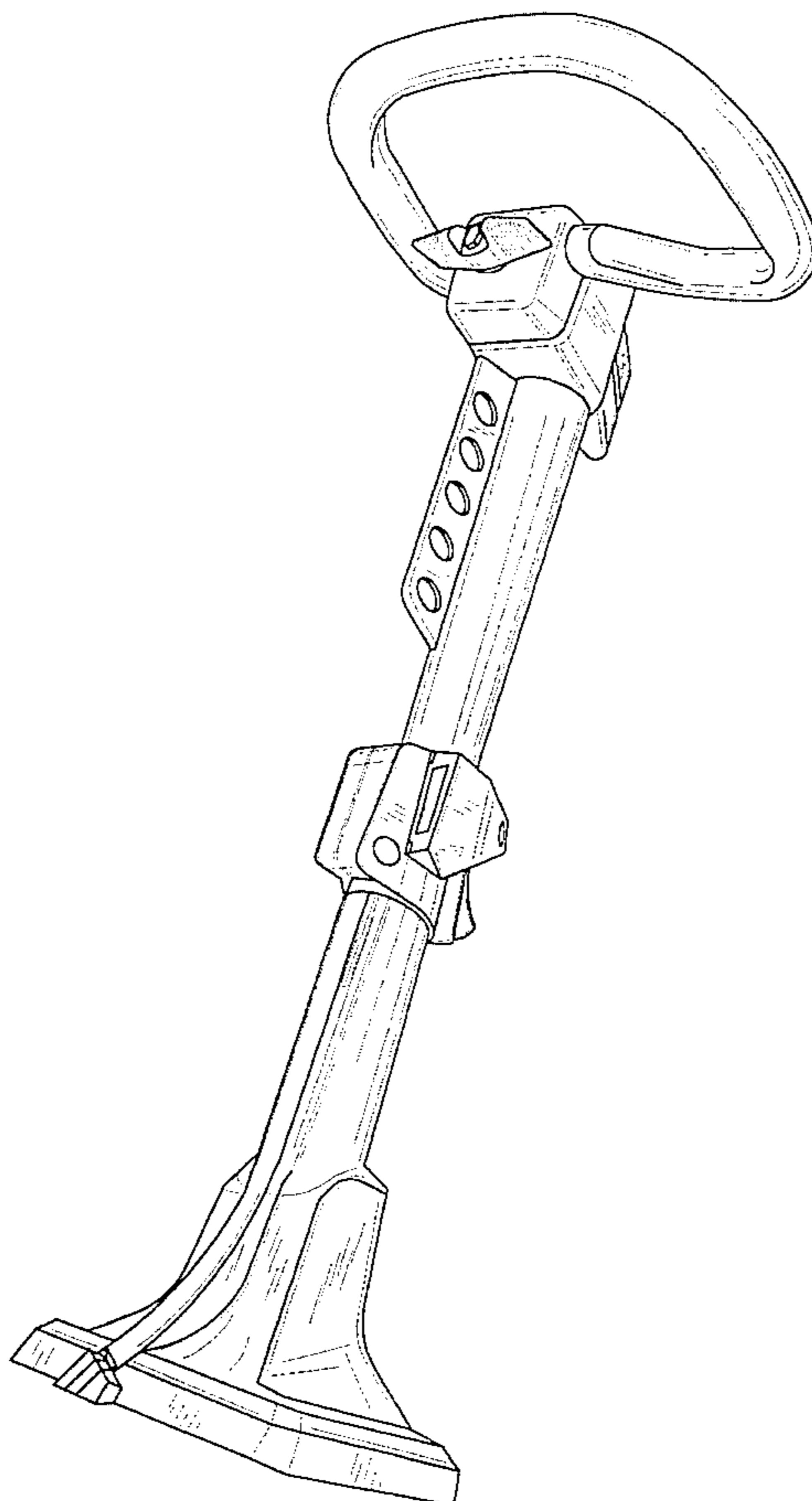


Fig. 1

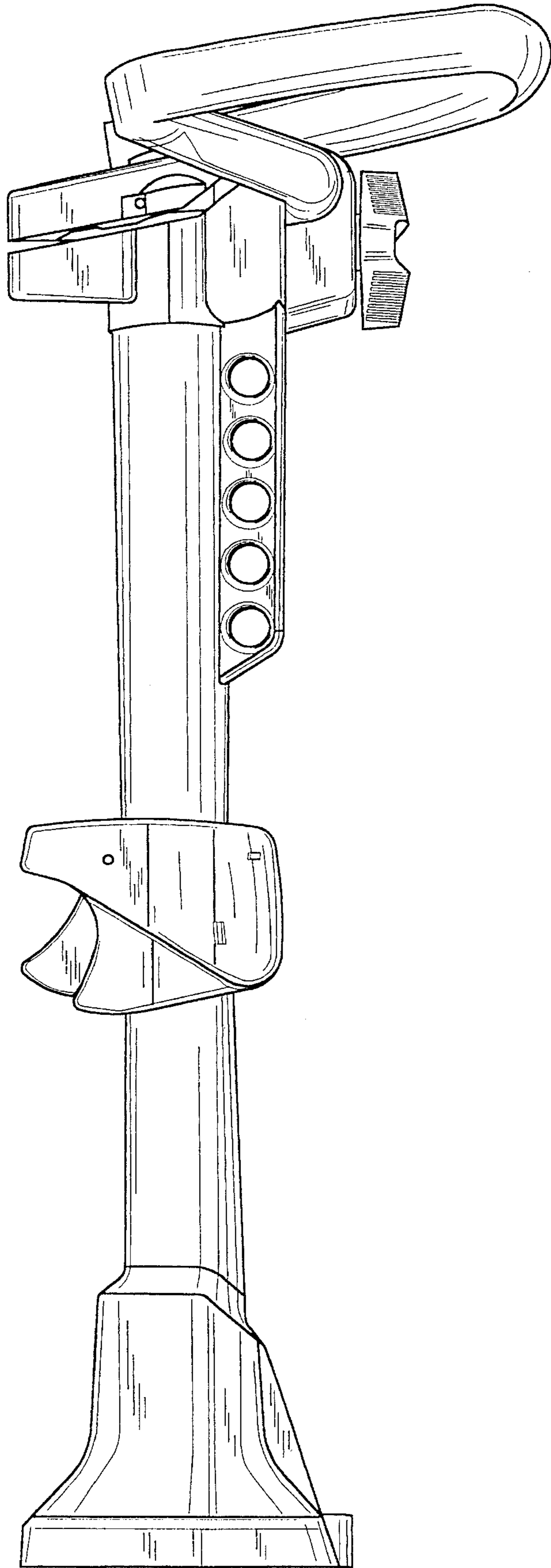


Fig.2

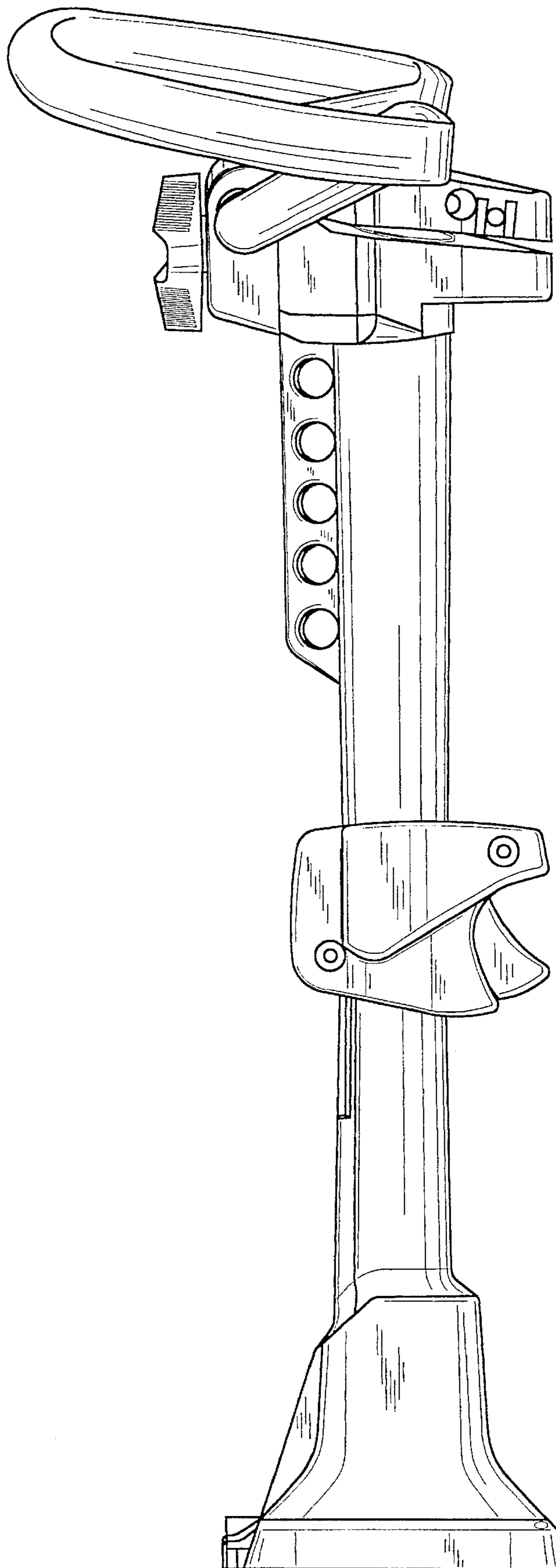


Fig.4

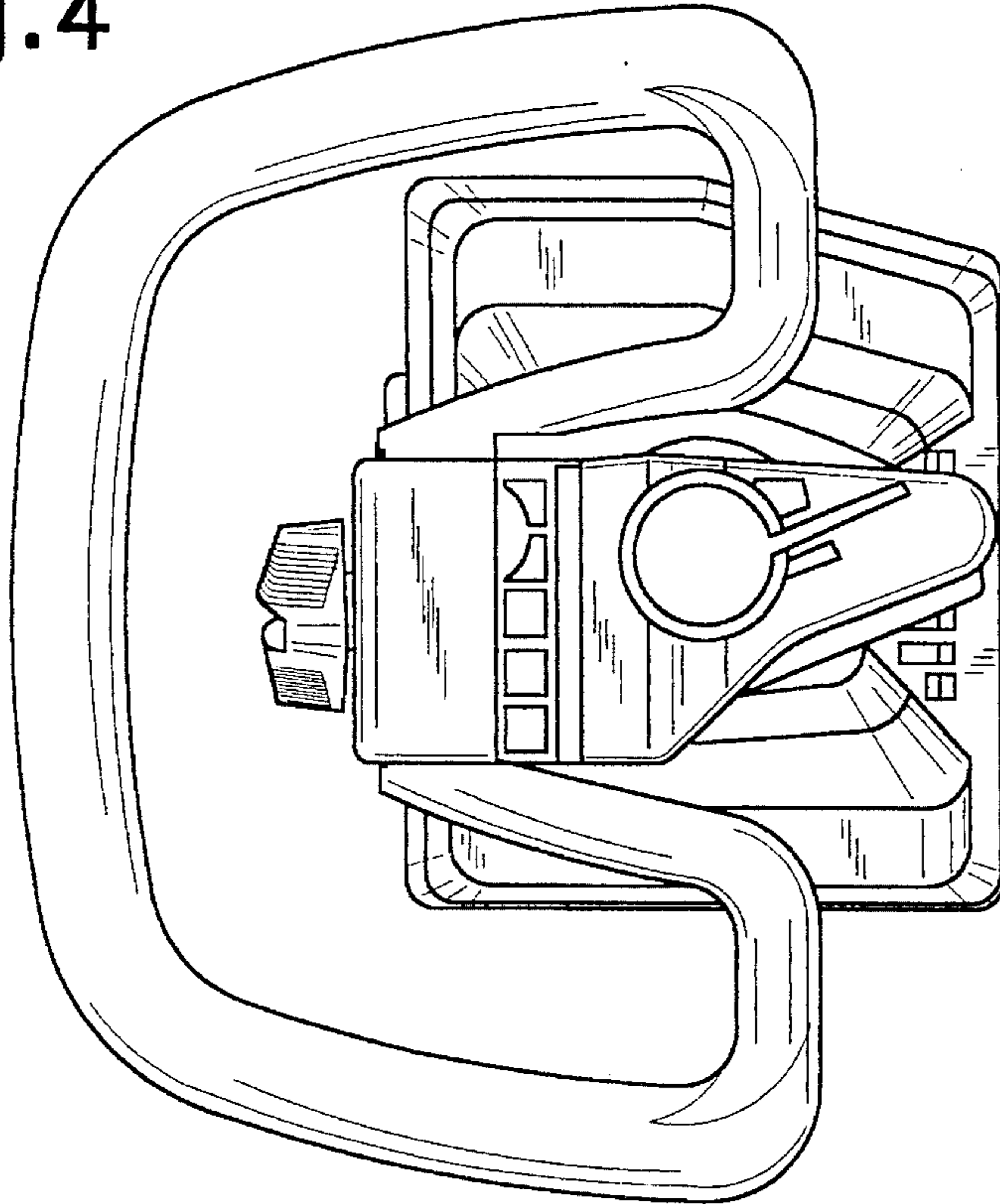


Fig.3

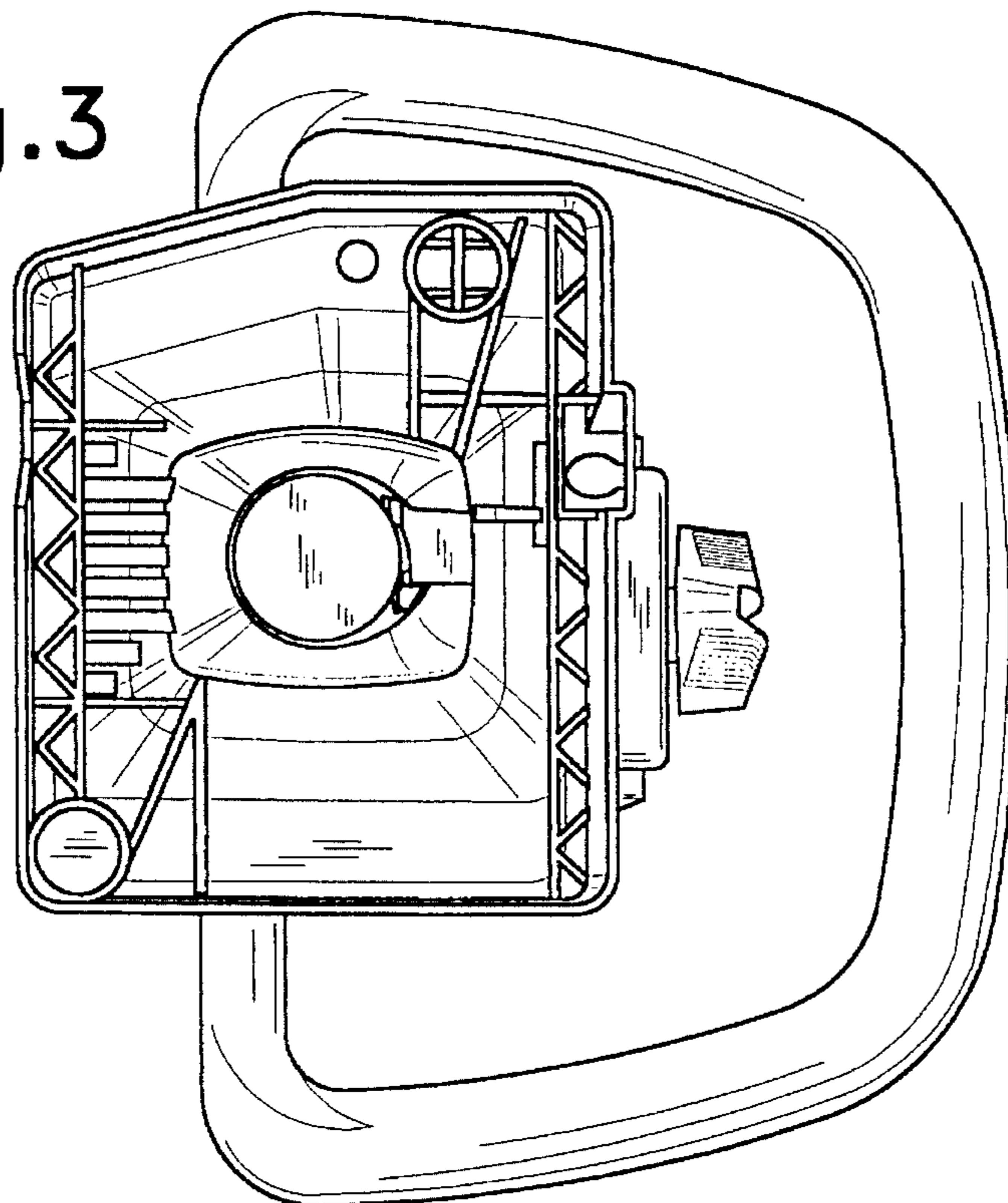


Fig.5

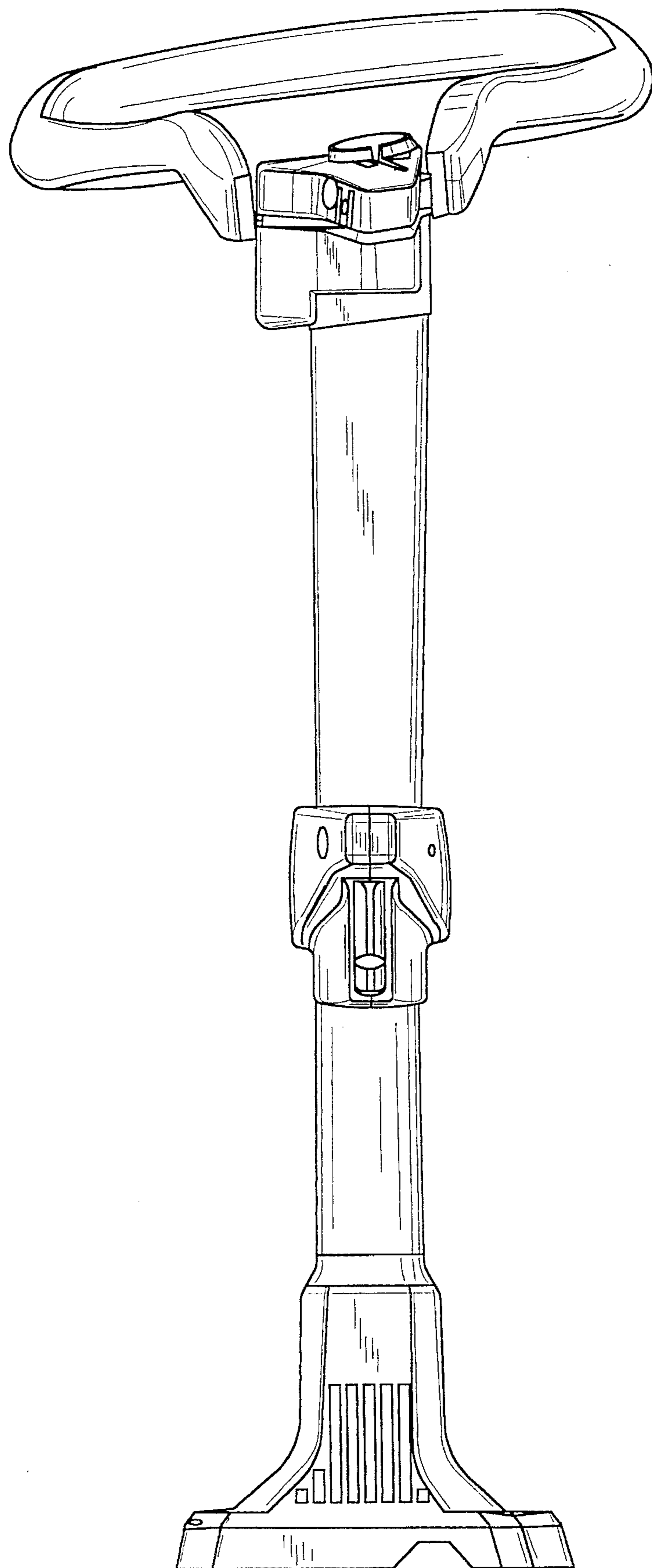


Fig.6

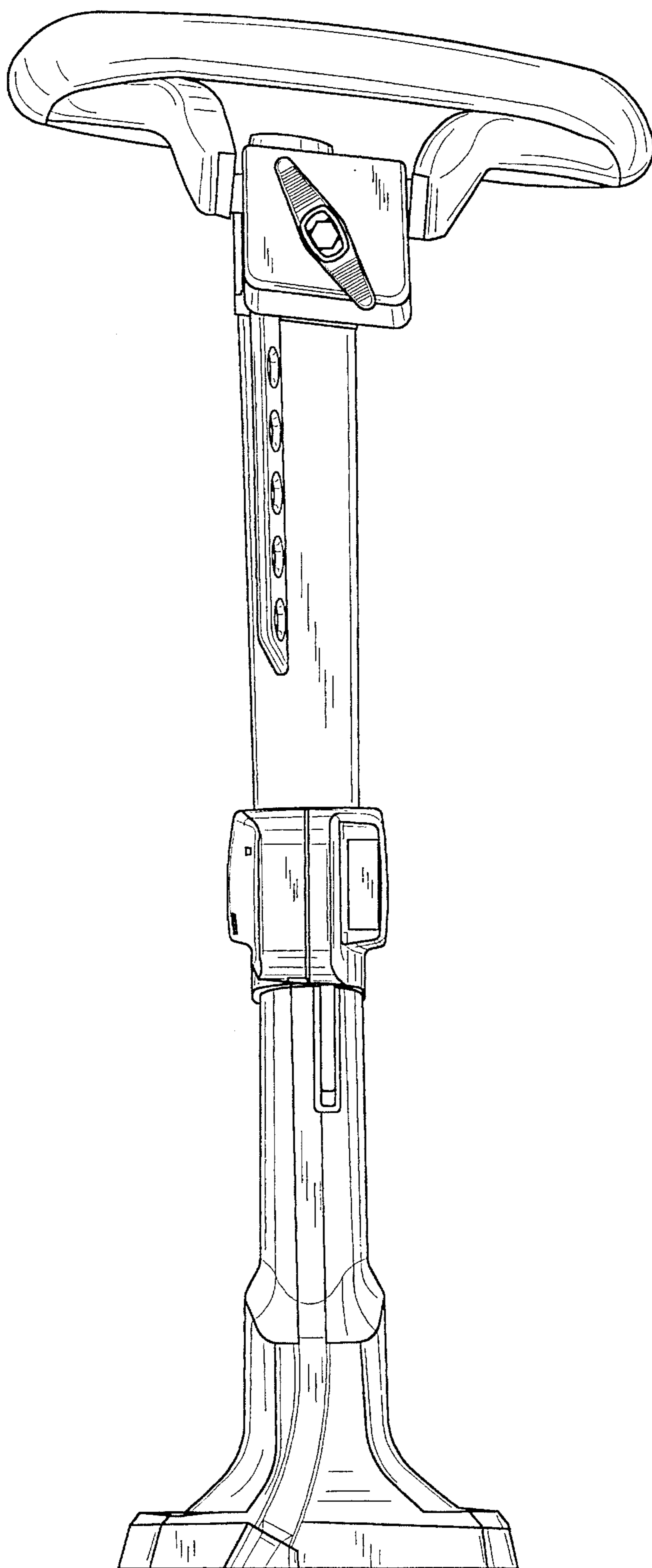


Fig.7

