



US00D367594S

**United States Patent** [19]

[11] **Patent Number: Des. 367,594**

**Hortnagl**

[45] **Date of Patent: \*\*Mar. 5, 1996**

[54] **ORNAMENTAL DESIGN FOR A CUTTING TOOL**

[75] Inventor: **Johann Hortnagl**, Fulpmes, Austria

[73] Assignee: **E&O Hortnagl-Werkzeuge**, Tirol, Austria

[\*\*] Term: **14 Years**

[21] Appl. No.: **35,762**

[22] Filed: **Mar. 6, 1995**

[52] **U.S. Cl.** ..... **D8/5**

[58] **Field of Search** ..... **D8/4, 5; 30/251-252, 30/254, 260-262**

[56] **References Cited**

**U.S. PATENT DOCUMENTS**

D. 151,791	11/1948	Smith	.....	D8/5
D. 256,541	8/1980	Davies	.....	D8/5
D. 267,144	12/1982	Harrison et al.	.....	D8/5
D. 289,250	4/1987	Pittaway	.....	D8/5
D. 346,538	5/1994	Florian	.....	D8/5
D. 347,556	6/1994	Choi	.....	D8/5
D. 356,719	3/1995	Choi	.....	D8/5
1,546,317	7/1925	Rogers	.	
1,741,109	12/1929	Heimerdinger	.	
3,273,240	9/1966	Florian	.	
3,325,896	6/1967	D'Angelo et al.	.	
3,372,478	3/1968	Wallace et al.	.....	30/252
3,390,445	7/1968	Florian	.	
4,258,472	3/1981	Wallace et al.	.	
4,947,555	8/1990	Bendickson et al.	.	
4,980,975	1/1991	Hodson	.	
5,020,222	6/1991	Gosselin et al.	.....	30/252

*Primary Examiner*—A. Hugo Word  
*Assistant Examiner*—Holly Baynham  
*Attorney, Agent, or Firm*—Patula & Associates

[57] **CLAIM**

The ornamental design for a cutting tool, as shown and described.

**DESCRIPTION**

FIG. 1 is a perspective view of the present invention in a closed position;  
 FIG. 2 is a top plan view of the present invention of FIG. 1;  
 FIG. 3 is a bottom plan view of the present invention of FIG. 1;  
 FIG. 4 is a front elevational view of the present invention of FIG. 1;  
 FIG. 5 is a rear elevational view of the present invention of FIG. 1;  
 FIG. 6 is a right side elevational view of the present invention of FIG. 1;  
 FIG. 7 is a left side elevational view of the present invention of FIG. 1;  
 FIG. 8 is a perspective view of the present invention in an opened position;  
 FIG. 9 is a top plan view of the present invention of the present invention of FIG. 8;  
 FIG. 10 is a bottom plan view of the present invention of FIG. 8;  
 FIG. 11 is a front elevational view of the present invention of FIG. 8;  
 FIG. 12 is a rear elevational view of the present invention of FIG. 8;  
 FIG. 13 is a right side elevational view of the present invention of FIG. 8; and,  
 FIG. 14 is a left side elevational view of the present invention of FIG. 8.  
 The handle is shown fragmented in FIGS. 8 and 11-14 for ease of illustration.

**1 Claim, 8 Drawing Sheets**

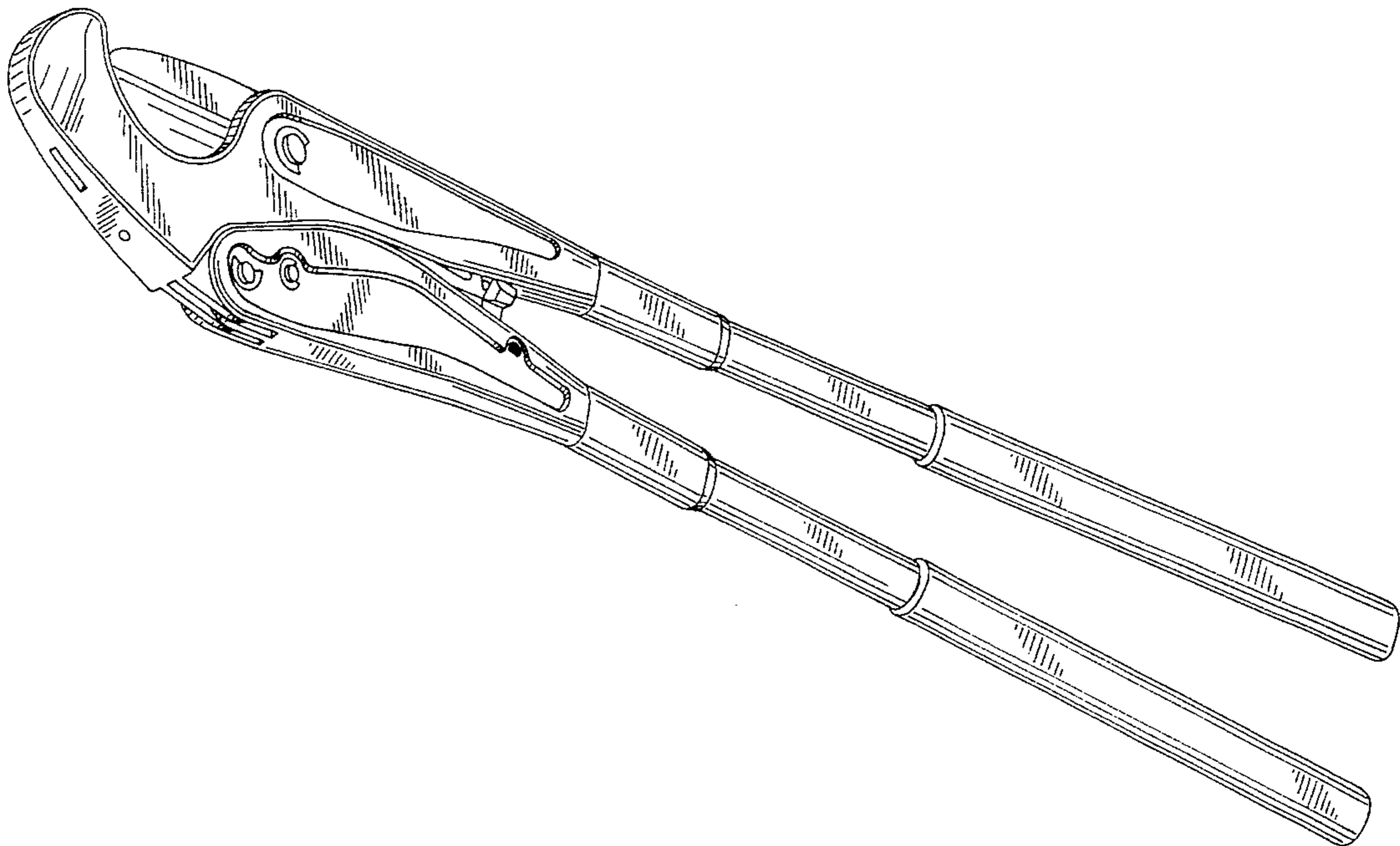


FIG. 1

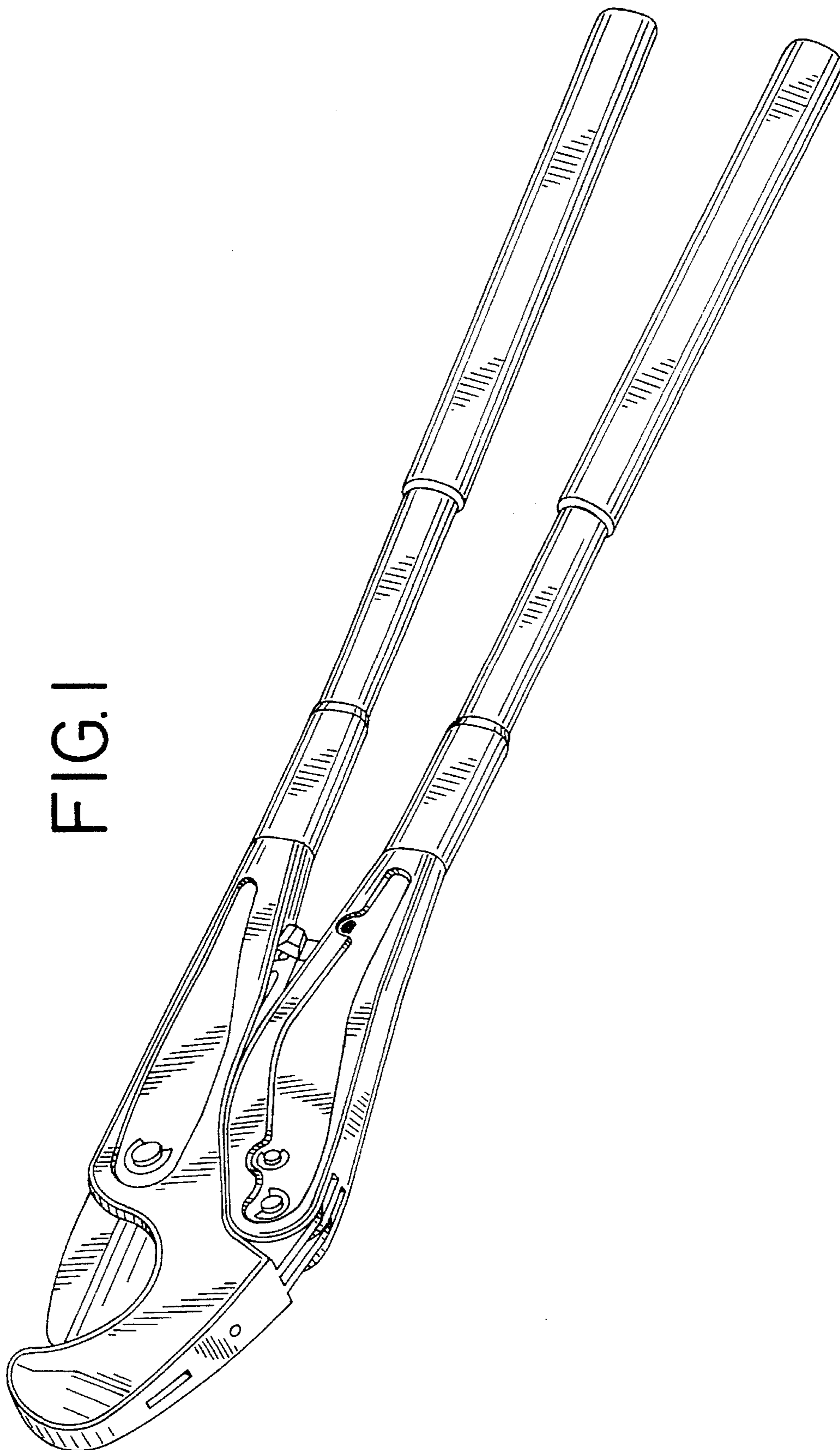


FIG. 2

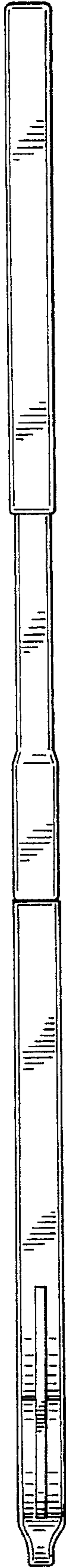


FIG. 4

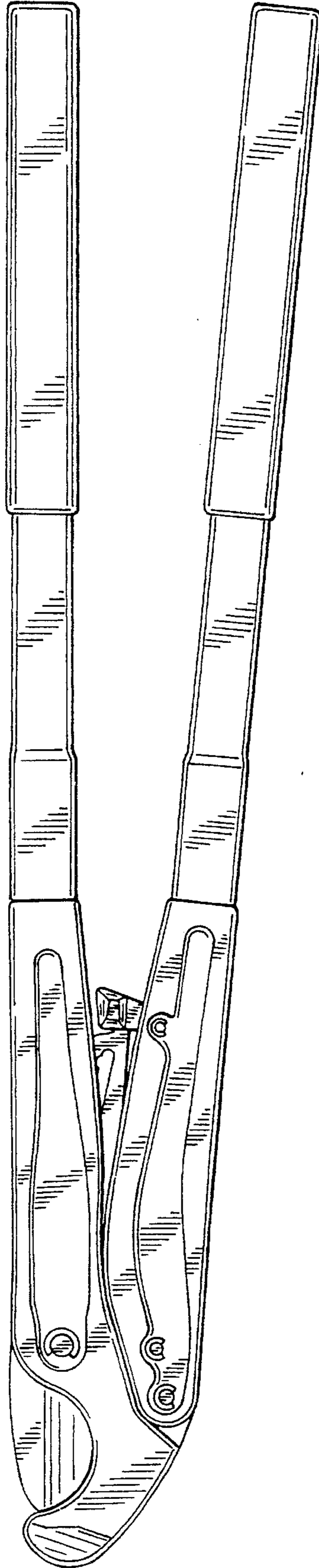


FIG. 3



FIG.5

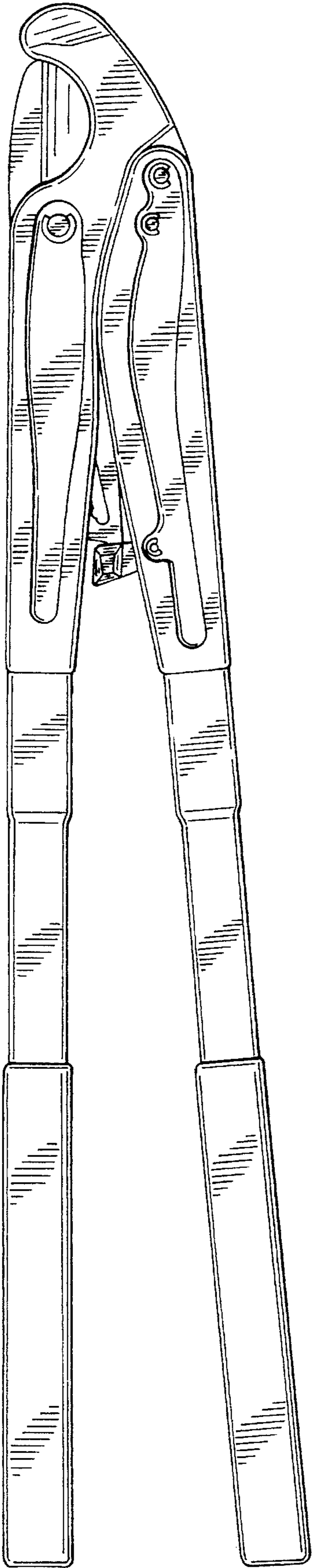


FIG.7



FIG.6



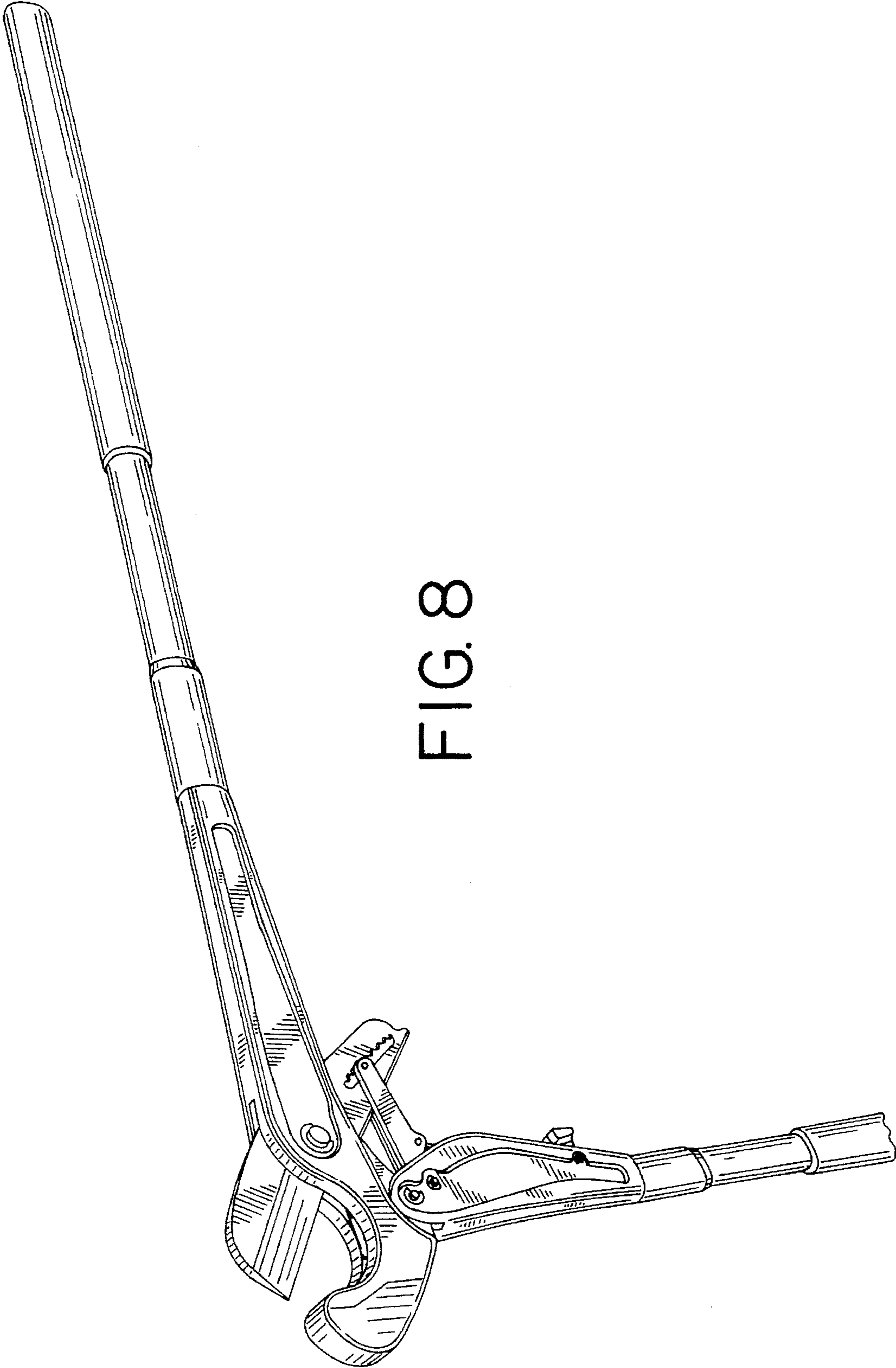


FIG. 8

FIG. 9

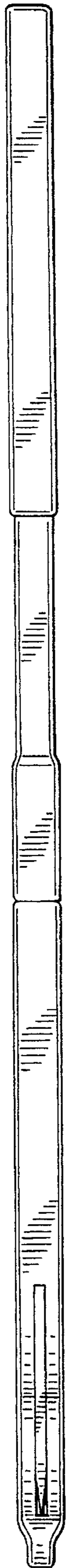


FIG. 10



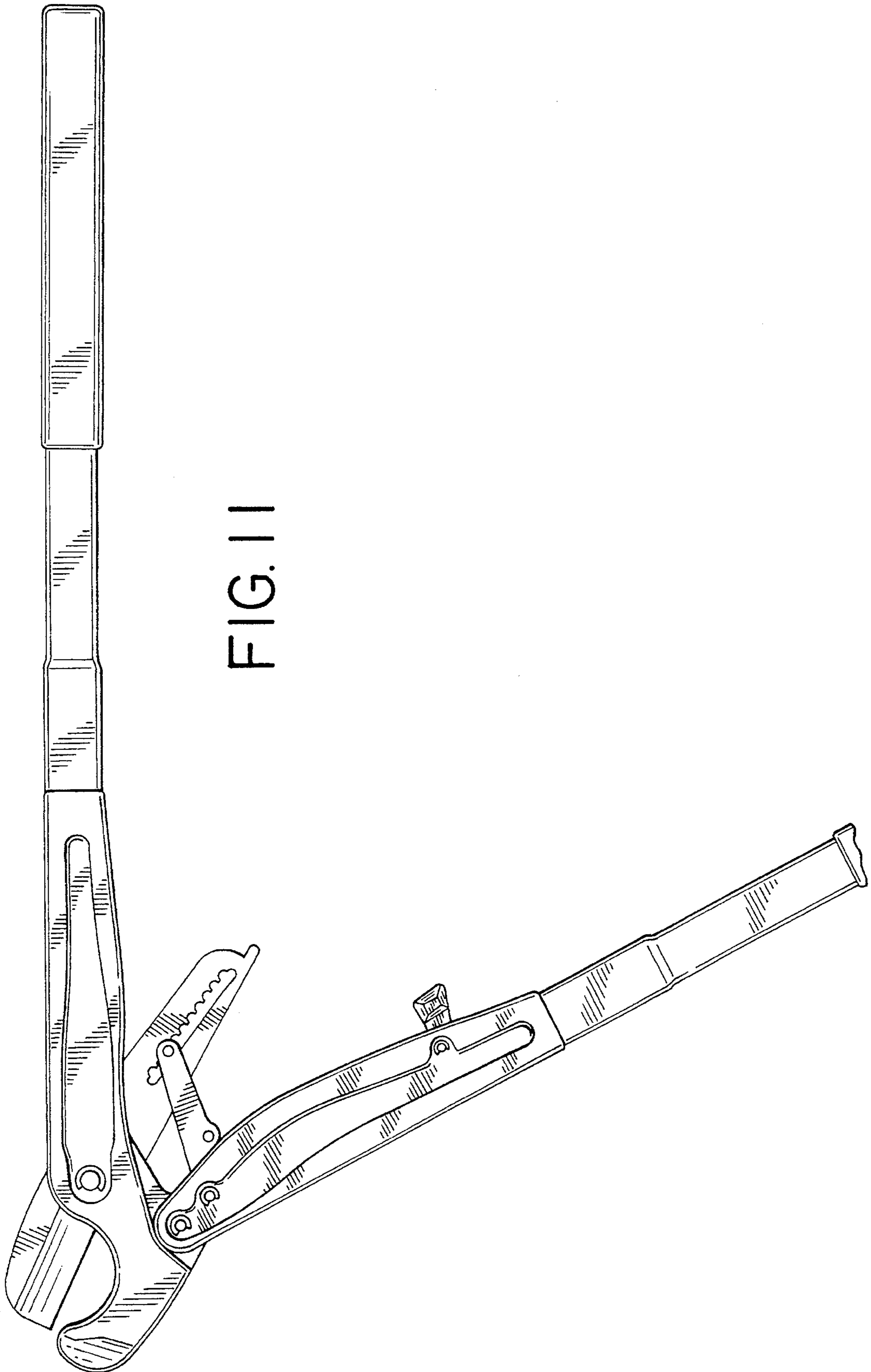


FIG. 11

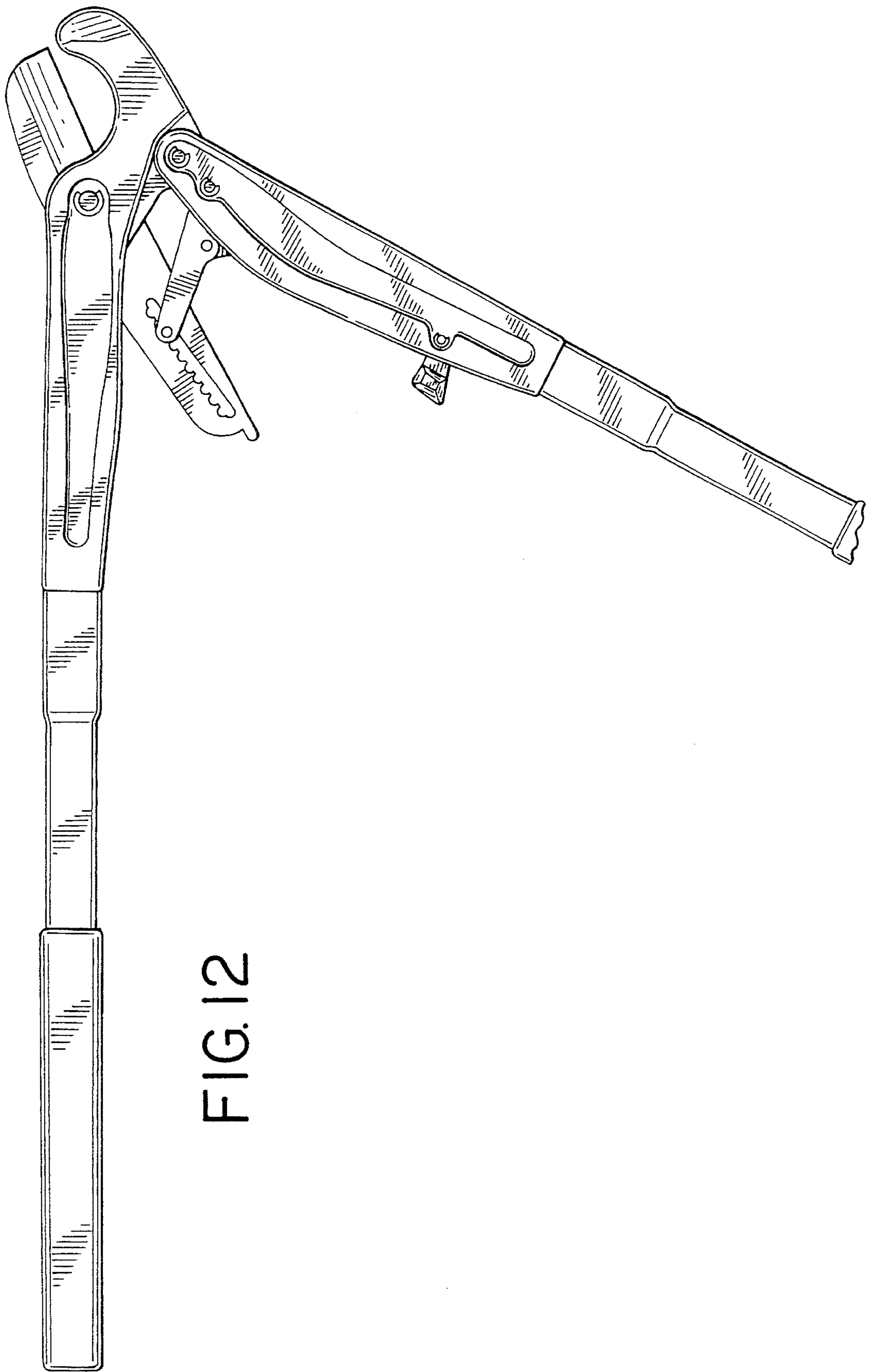


FIG. 12





FIG. 14

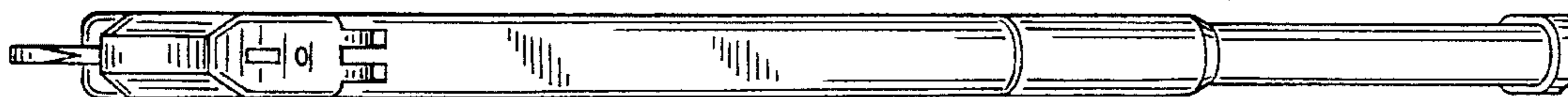


FIG. 13