



US00D367593S

United States Patent [19]

De Larue

[11] Patent Number: **Des. 367,593**

[45] Date of Patent: ****Mar. 5, 1996**

[54] **LAWN AERATING ROLLER**

5,353,724 10/1994 Wheeley, Jr. 172/21 X

[76] Inventor: **John De Larue**, 2425 W. Warner Ave.,
Chicago, Ill. 60618

FOREIGN PATENT DOCUMENTS

913349 12/1962 United Kingdom 172/21

[**] Term: **14 Years**

Primary Examiner—A. Hugo Word
Assistant Examiner—Holly Baynham
Attorney, Agent, or Firm—Terry M. Gernstein

[21] Appl. No.: **27,994**

[57] CLAIM

[22] Filed: **Sep. 6, 1994**

[52] U.S. Cl. **D8/1**

The ornamental design for a lawn aerating roller, as shown and described.

[58] Field of Search D8/1, 9, 11; 172/42,
172/21, 119; 56/16.9; D15/14, 16, 18

DESCRIPTION

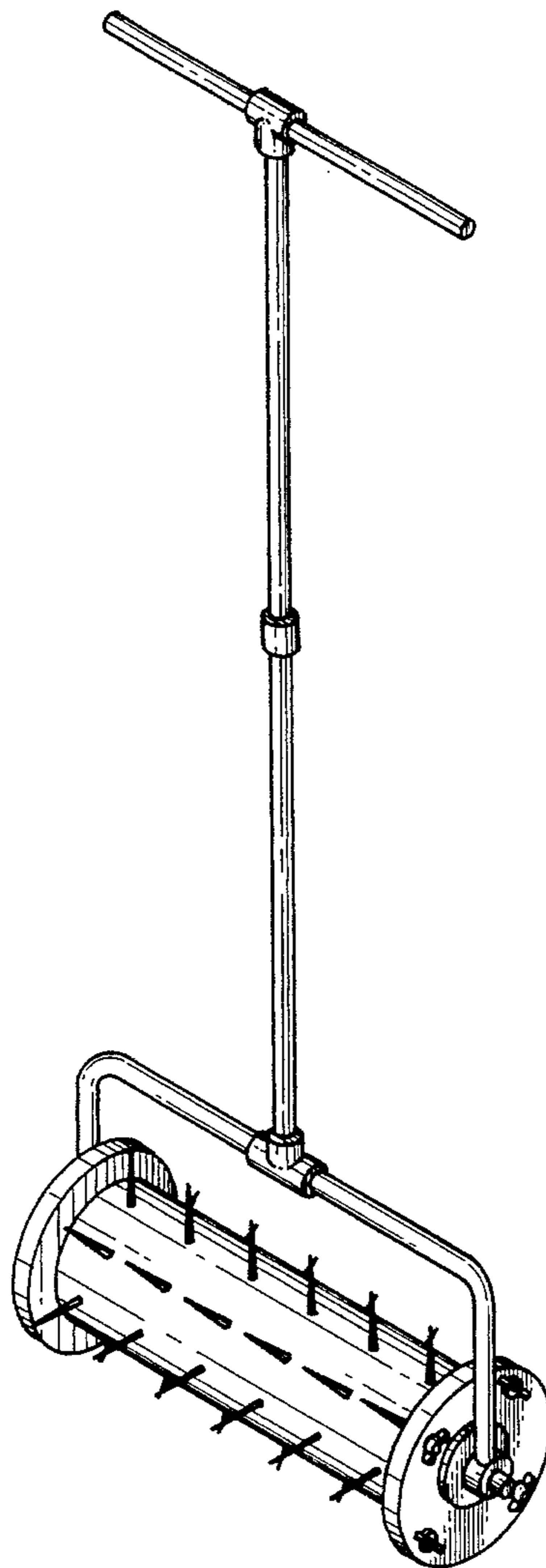
[56] References Cited

U.S. PATENT DOCUMENTS

D. 133,775	9/1942	Clemson	D15/16
2,601,591	6/1952	Colombo	172/21
2,975,735	3/1961	Purvance	172/21 X
3,051,459	8/1962	Witzenburg	172/42 X
3,138,823	6/1964	Langner	172/21 X
3,934,390	1/1976	Ballard	172/21 X
4,802,536	2/1989	O'Neal	.	
4,858,697	8/1989	Sherblom	.	
4,899,828	2/1990	Harris	.	

FIG. 1 is a front, top and side perspective view of the lawn aerating roller showing my new design;
FIG. 2 is a front elevational view thereof, the rear being a mirror image of the front shown in FIG. 2;
FIG. 3 is a side elevational view thereof, the side opposite being a mirror image of the side shown in FIG. 3;
FIG. 4 is a top plan view thereof; and,
FIG. 5 is a bottom plan view thereof.

1 Claim, 3 Drawing Sheets



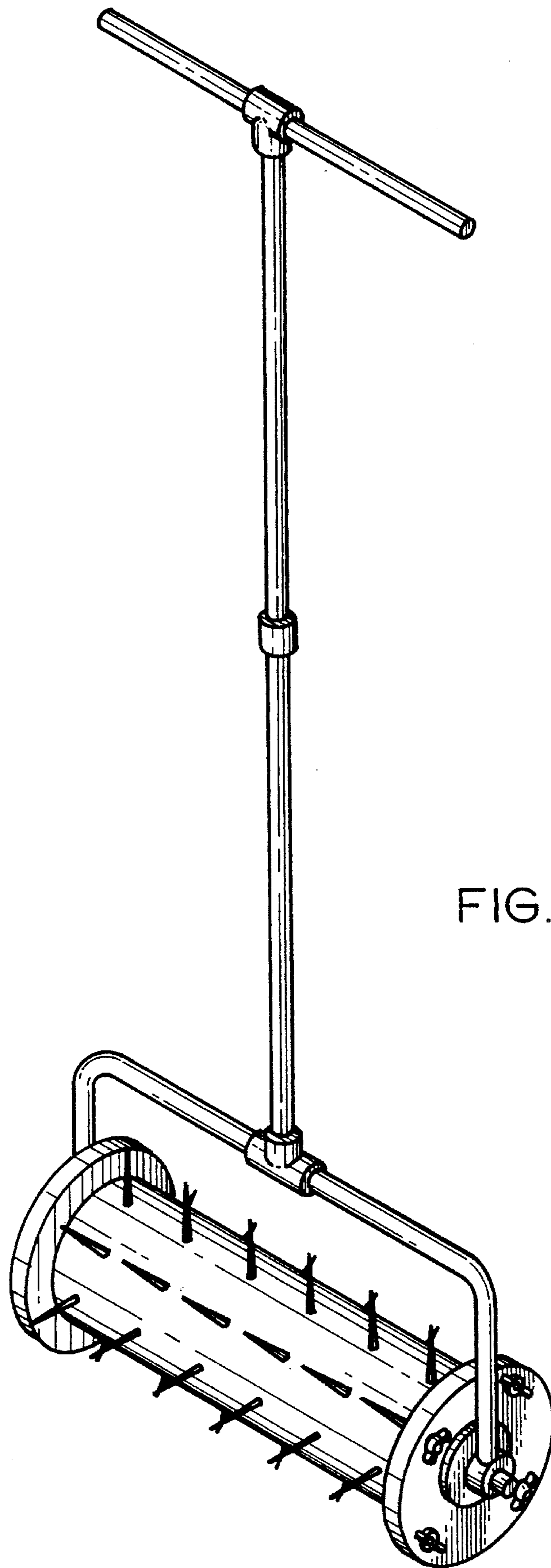
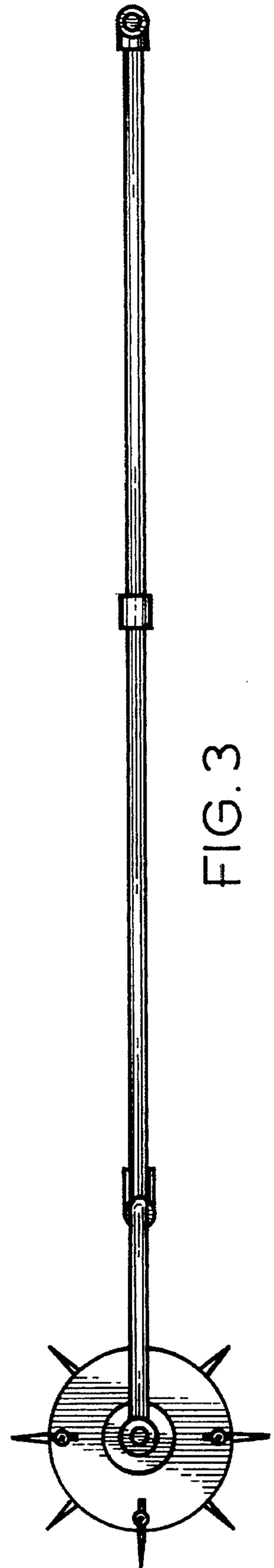
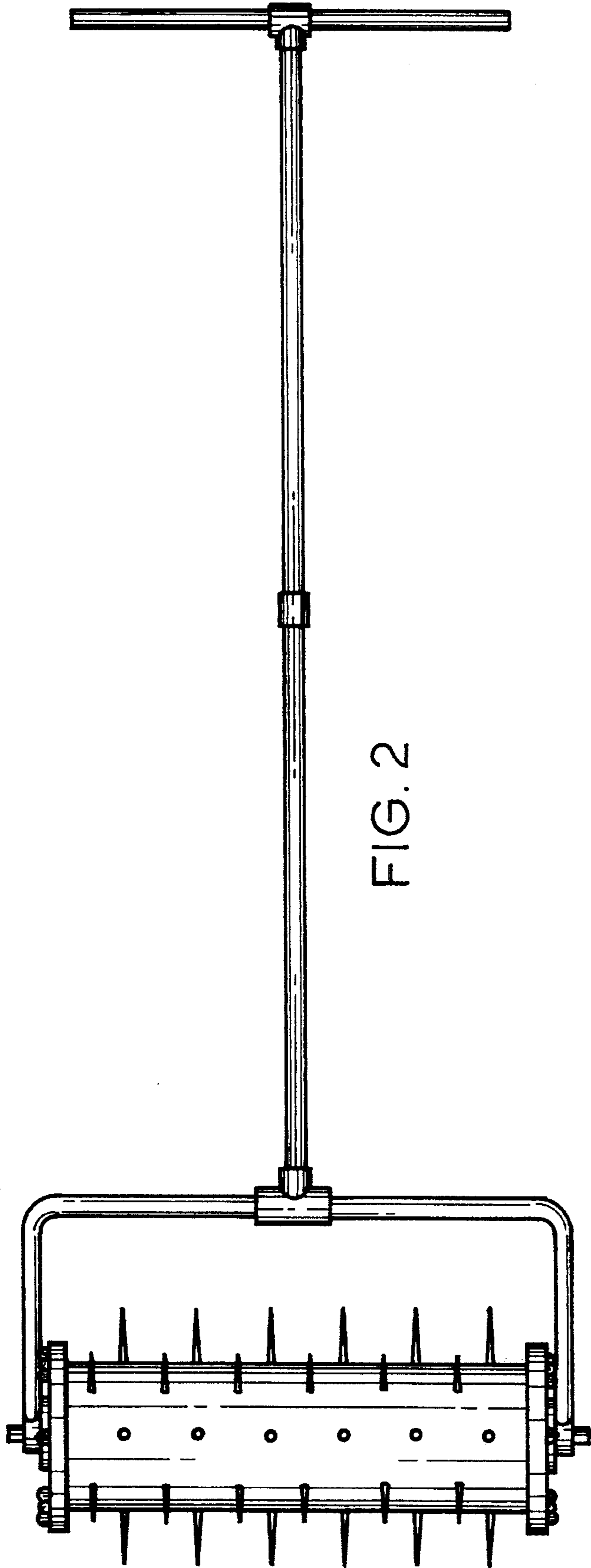


FIG. 1



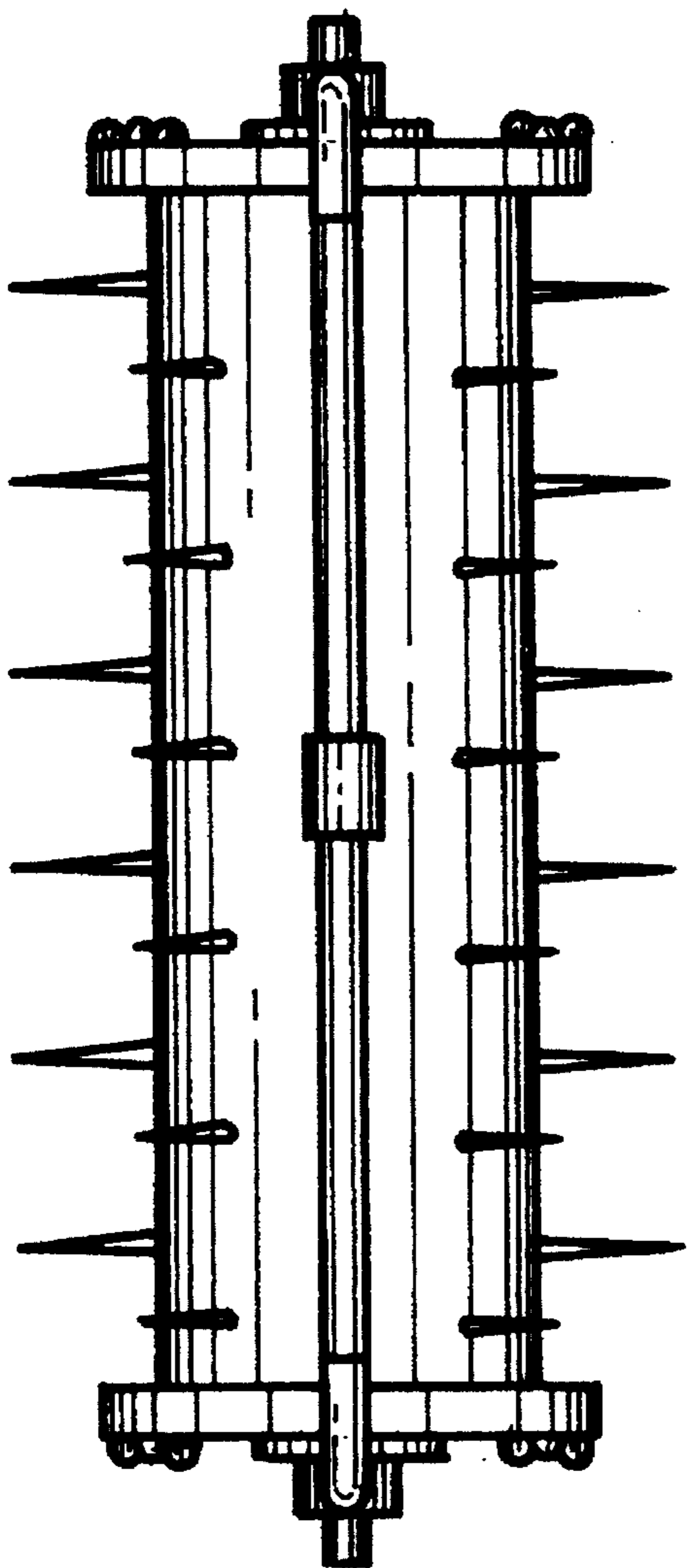


FIG. 4

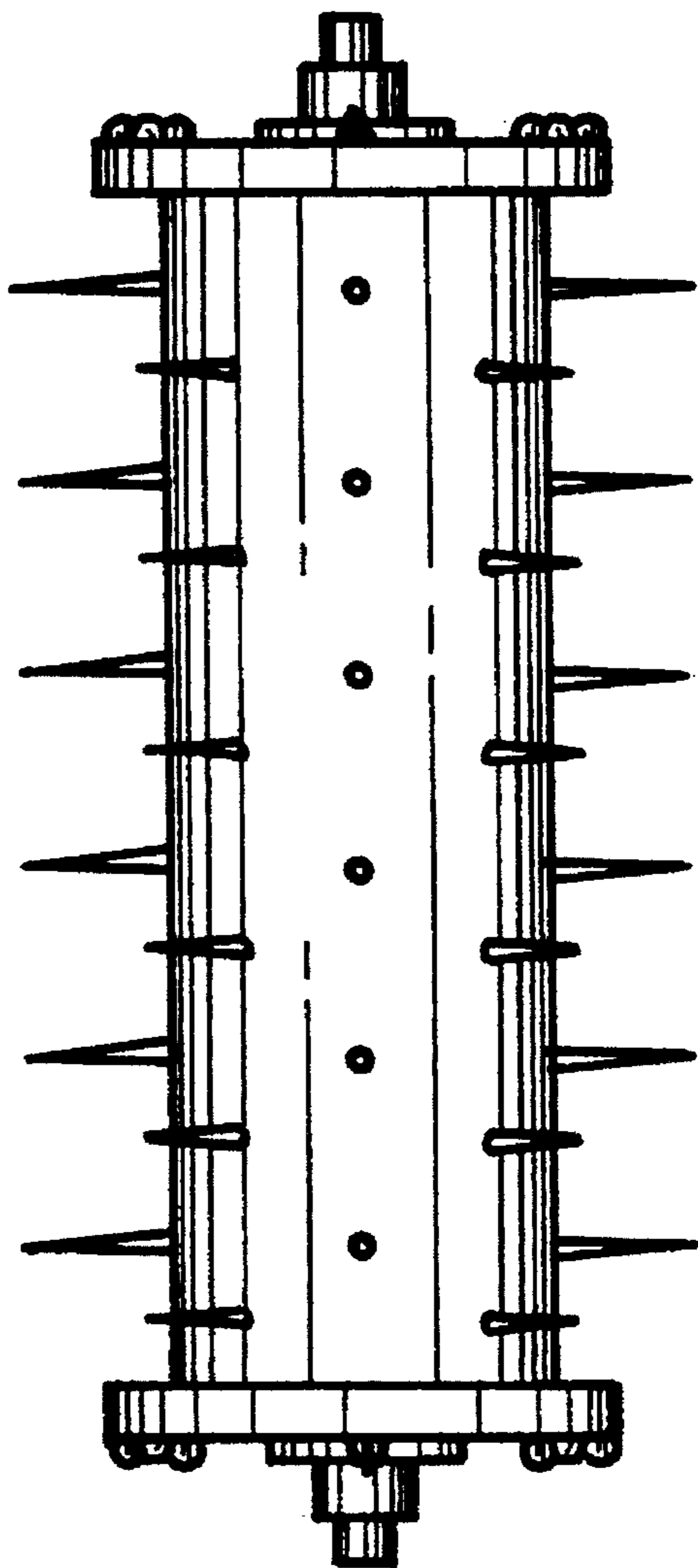


FIG. 5

UNITED STATES PATENT AND TRADEMARK OFFICE
CERTIFICATE OF CORRECTION

PATENT NO. : Des. 367,593

Page 1 of 5

DATED : March 5, 1996

INVENTOR(S) : John De Larue

It is certified that error appears in the above-identified patent and that said Letters Patent is hereby corrected as shown below:

The title page, showing the illustrated figure should be deleted and substituted with the attached title page showing illustrated figure.

In the Drawings, delete Figures 1,2, and 4 and substitute the attached Figs. 1,2 and 4.

Signed and Sealed this
Twelfth Day of August, 1997



Attest:

BRUCE LEHMAN

Attesting Officer

Commissioner of Patents and Trademarks

United States Patent [19]
De Larue

[11] **Patent Number:** **Des. 367,593**
[45] **Date of Patent:** ****Mar. 5, 1996**

[54] **LAWN AERATING ROLLER**
[76] **Inventor:** John De Larue, 2425 W. Warner Ave.,
Chicago, Ill. 60618
[**] **Term:** 14 Years
[21] **Appl. No.:** 27,994
[22] **Filed:** Sep. 6, 1994
[52] **U.S. Cl.** D8/1
[58] **Field of Search** D8/1, 9, 11; 172/42,
172/21, 119; 56/16.9; D15/14, 16, 18

5,353,724 10/1994 Wheeley, Jr. 172/21 X

FOREIGN PATENT DOCUMENTS

913349 12/1962 United Kingdom 172/21

Primary Examiner—A. Hugo Word
Assistant Examiner—Holly Baynham
Attorney, Agent, or Firm—Terry M. Gerstein

[57] **CLAIM**

The ornamental design for a lawn aerating roller, as shown and described.

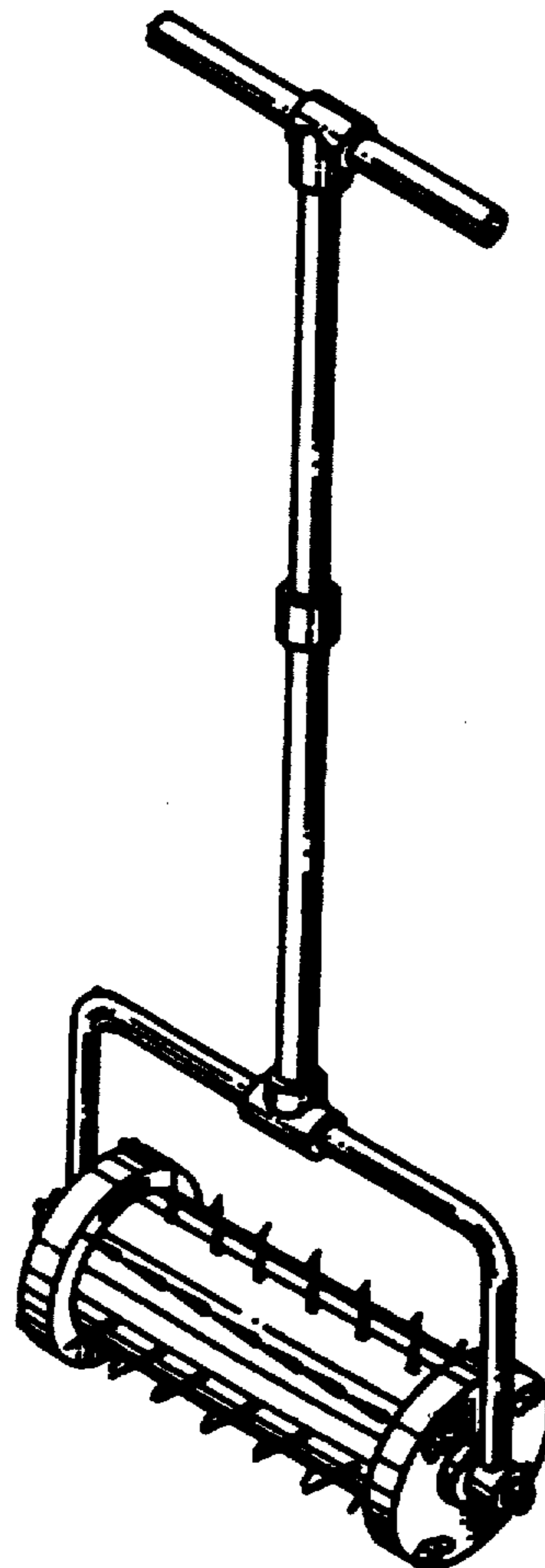
DESCRIPTION

FIG. 1 is a front, top and side perspective view of the lawn aerating roller showing my new design;
FIG. 2 is a front elevational view thereof, the rear being a mirror image of the front shown in FIG. 2;
FIG. 3 is a side elevational view thereof, the side opposite being a mirror image of the side shown in FIG. 3;
FIG. 4 is a top plan view thereof; and,
FIG. 5 is a bottom plan view thereof.

1 Claim, 3 Drawing Sheets

[56] **References Cited**
U.S. PATENT DOCUMENTS

D. 133,775	9/1942	Clemson	D15/16
2,601,591	6/1952	Colombo	172/21
2,975,735	3/1961	Purvance	172/21 X
3,051,459	8/1962	Witzenburg	172/42 X
3,138,823	6/1964	Langner	172/21 X
3,934,390	1/1976	Ballard	172/21 X
4,802,536	2/1989	O'Neal	.	
4,858,697	8/1989	Sherblom	.	
4,899,828	2/1990	Harris	.	



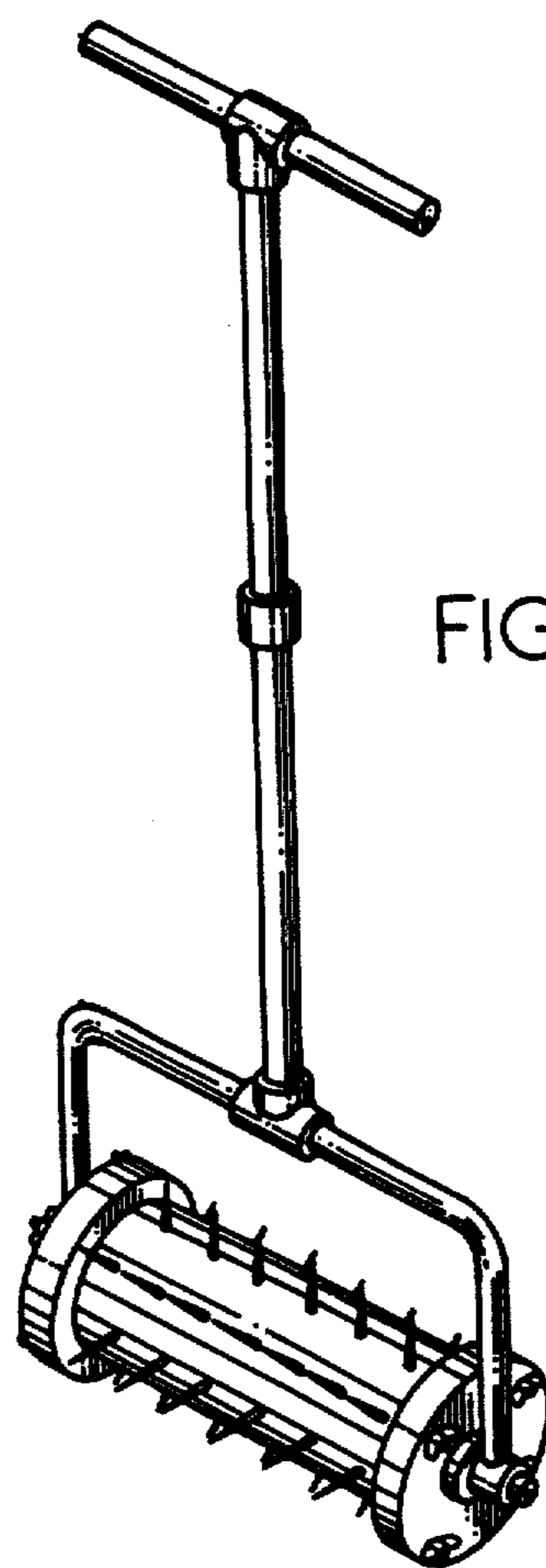


FIG. 1.

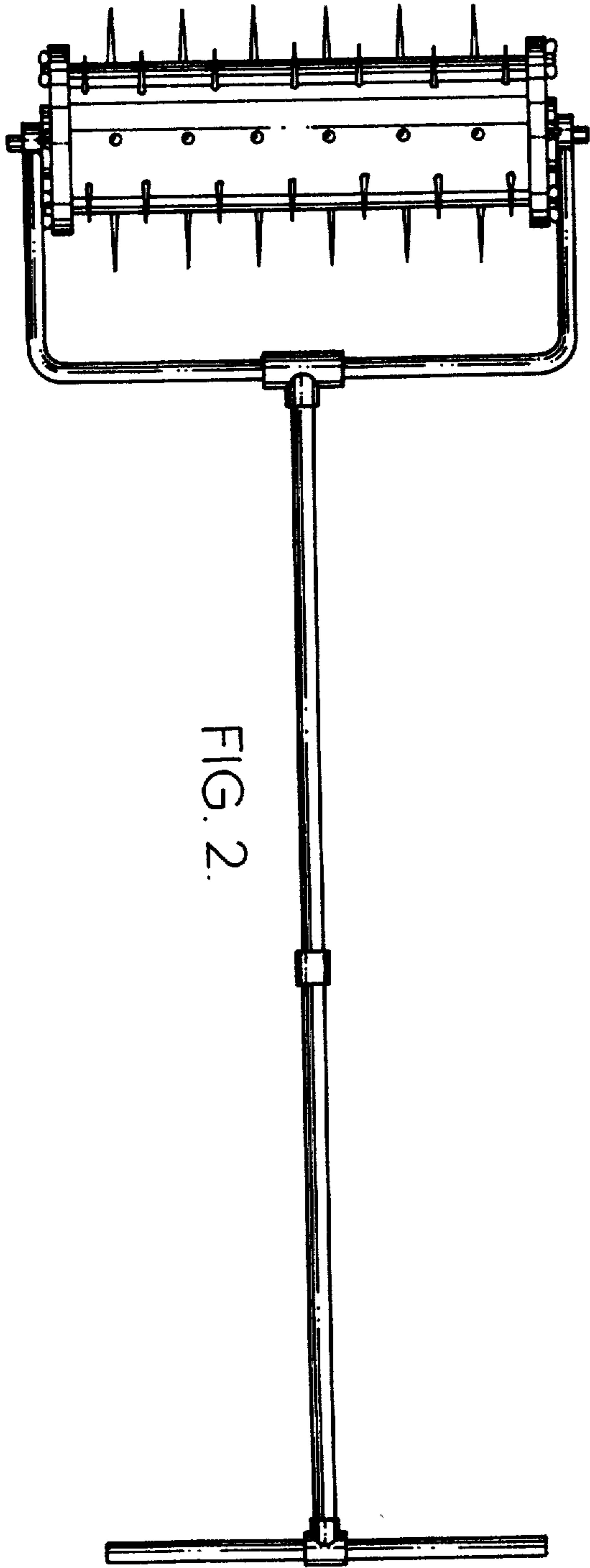


FIG. 2.

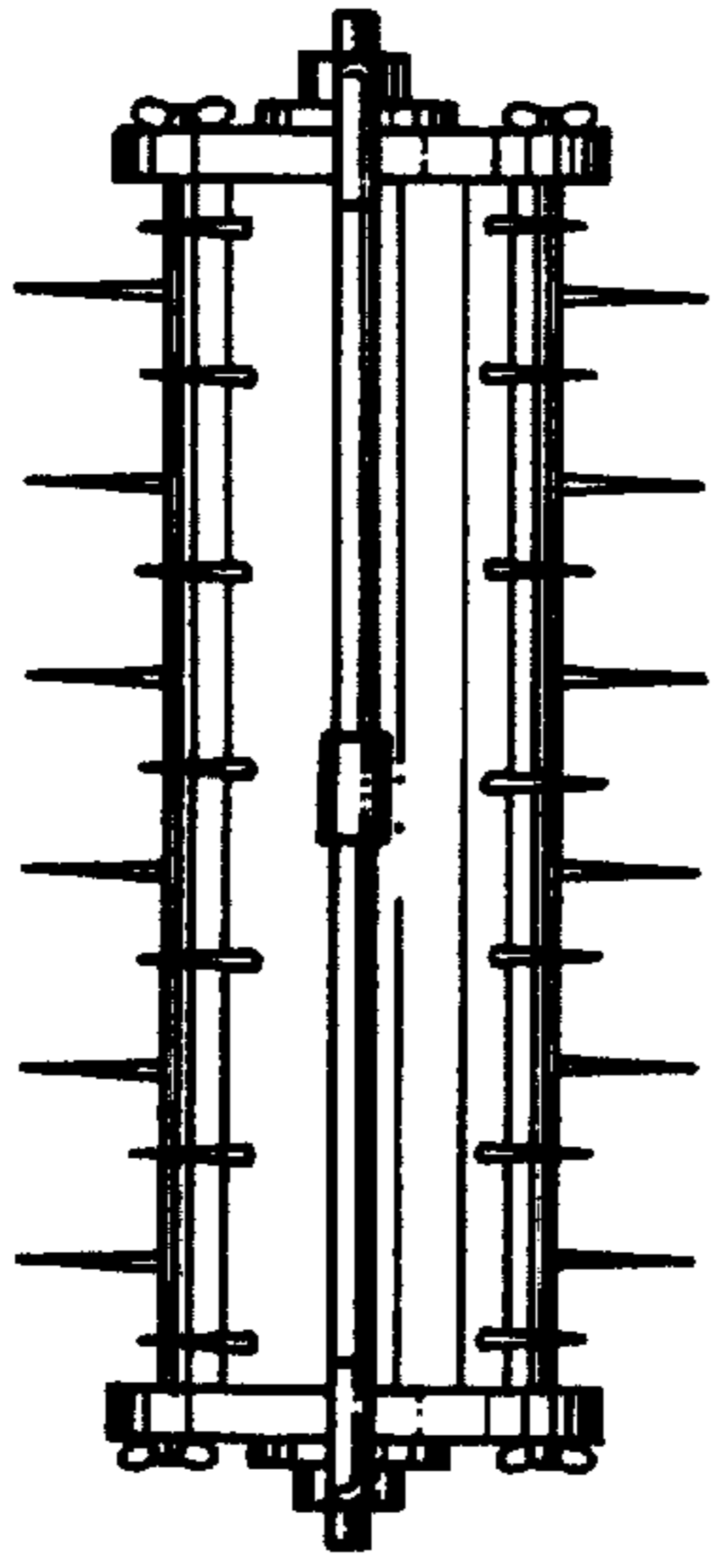


FIG. 4.