



US00D367590S

United States Patent [19]
Brookhouse

[11] **Patent Number: Des. 367,590**
[45] **Date of Patent: **Mar. 5, 1996**

[54] **CORNCOB HOLDER**

[76] Inventor: **Paul S. Brookhouse**, 505 E. 17th St.,
Cheyenne, Wyo. 82001

[**] Term: **14 Years**

[21] Appl. No.: **29,054**

[22] Filed: **Sep. 28, 1994**

D. 207,108	3/1967	Heuck	D7/683
D. 268,723	4/1983	Wolff	294/5 X
886,510	5/1908	Huguet	294/5
1,991,871	2/1935	Sindler	D7/683 X
4,913,176	4/1990	DeNiro	132/329
5,088,782	2/1992	Scott	294/5

Primary Examiner—Terry A. Wallace
Attorney, Agent, or Firm—Brown, Martin, Haller & McClain

Related U.S. Application Data

[63] Continuation-in-part of Ser. No. 110,729, Aug. 23, 1993,
abandoned.

[52] **U.S. Cl.** **D7/683; D28/64**

[58] **Field of Search** D7/683, 684, 300.2;
D28/64; 30/164.5, 322; 132/321, 329; 294/5,
1.1, 61, 24

[56] **References Cited**

U.S. PATENT DOCUMENTS

D. 95,088 4/1935 Sindler D7/683

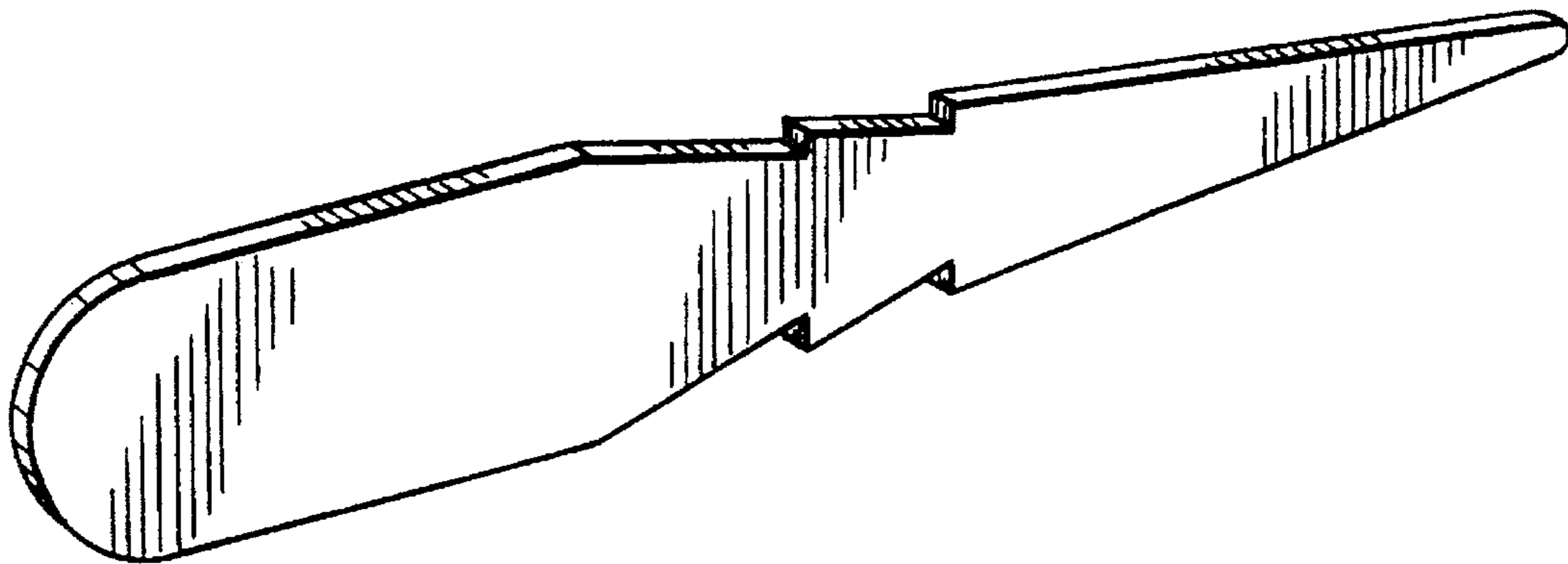
[57] **CLAIM**

The ornamental design for a corncob holder, as shown.

DESCRIPTION

FIG. 1 is a top, front, right side perspective view of a corncob holder showing my new design;
FIG. 2 is a left side elevation view thereof;
FIG. 3 is a bottom plan view thereof;
FIG. 4 is a rear elevation view thereof; and,
FIG. 5 is a front elevation view thereof.

1 Claim, 1 Drawing Sheet



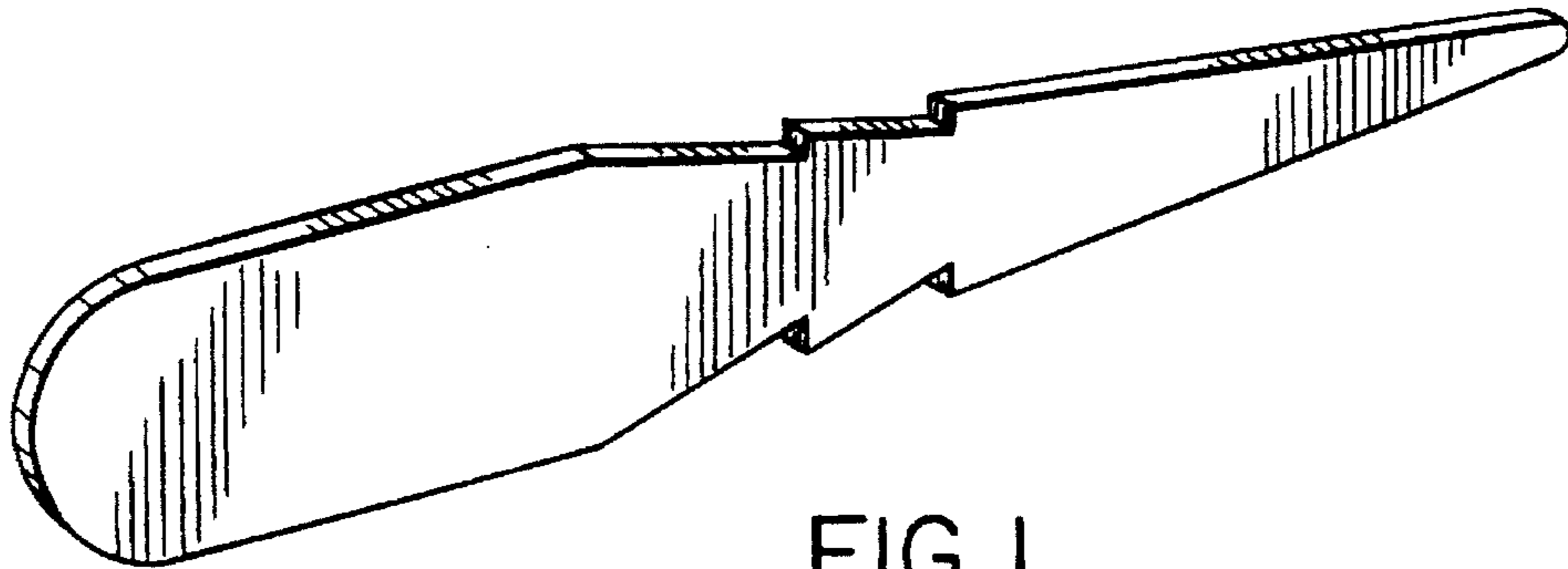


FIG. 1

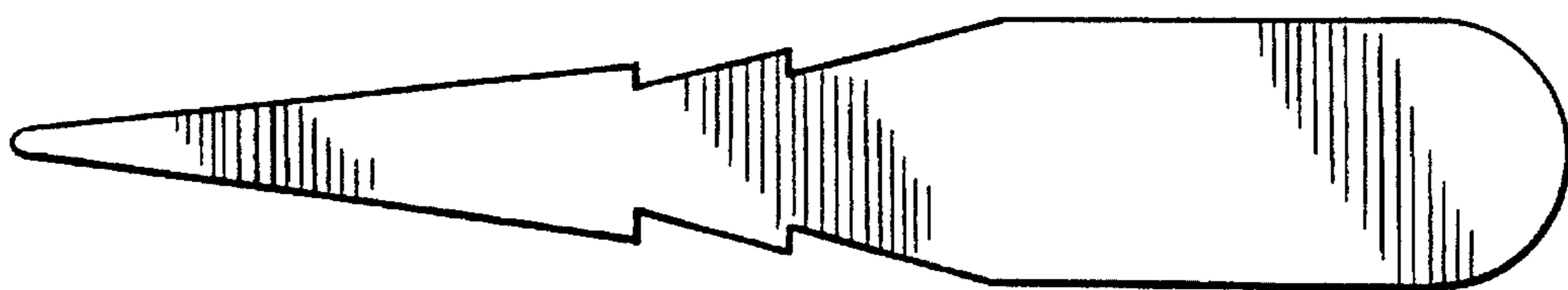


FIG. 2



FIG. 3



FIG. 4



FIG. 5