



US00D367589S

**United States Patent** [19]  
**Zimmerman**

[11] **Patent Number: Des. 367,589**  
[45] **Date of Patent: \*\*Mar. 5, 1996**

[54] **ROUNDED STORAGE CONTAINER**

[75] Inventor: **Larry G. Zimmerman**, Hollis, N.H.  
[73] Assignee: **Sterilite Corporation**, Townsend, Mass.  
[\*\*] Term: **14 Years**

[21] Appl. No.: **30,010**  
[22] Filed: **Oct. 4, 1994**  
[52] U.S. Cl. .... **D7/629**; D7/538  
[58] **Field of Search** ..... D7/602, 629, 538-549;  
D9/414, 416, 424, 48, 428-432, 434, 435,  
438, 443; 220/270, 281, 306, 307, 352,  
355

[56] **References Cited**

**U.S. PATENT DOCUMENTS**

- D. 238,148 12/1975 Magnus .
- D. 239,999 5/1976 Christian ..... D9/428 X
- D. 267,703 1/1983 Chase et al. .
- D. 277,632 2/1985 Staufenberg .
- D. 308,941 7/1990 Kong ..... D7/541 X
- D. 309,554 7/1990 Meisner ..... D7/602

**OTHER PUBLICATIONS**

Sterilite #371, #372, #373, #374, #384, #356, #357, #358, #363, #365, #353, #354, #355, #352, #351, #340, #360; food storage containers; 2 pages. undated.  
Anchor Hocking; Stowaways; food containers; 1 page. undated.  
Tucker, #5021, #5032; Serve & Store Sets; pp. 14 and 15 undated.  
Tupperware; containers with recessed lids; p. 31. undated.  
Tupperware; Freezer Mates; p. 29. undated.  
Tupperware; Modular Mates; p. 25. undated.  
Holiday housewares, Inc; Milan Classic; square-round containers; 2 pages. undated.  
Rubbermaid; servin/saver squares; square and rectangular shaped containers; p. 3. undated.  
Superseal foodsavers; square, round, rectangular shapes; 1 page. undated.

Fresh-o-dur; Vitri; round, square, rectangular shapes; 2 pages. undated.  
Miflex; recessed lid; round, square, rectangular shapes; pp. 2 and 3. undated.  
French—Oyonnax: round, square, rectangular shaped containers with recessed lids; 1 page. undated.  
German—Buchsteiner: round, square rectangular shaped containers; 2 pages. undated.  
French—Frig-O-Seal; recessed lid; soft seal/rigid round, square, rectangular shaped containers; 2 pages. undated.  
Spanish—Araven; recessed lids; soft seal/rigid round containers; rounded lift tab; 1 page. undated.  
Japanese Inomata 1993: round, square, rectangular shaped containers with recessed lids; easy pop cover microwave venting; 2 pages.  
Japanese—Asvel: Combination storage and cooking, round, square, rectangular shaped containers; 2 pages. undated.  
Japanese—Tonbo Plastics: rounded, square, rectangular shaped containers with recessed lids; 2 pages. undated.  
Rubbermaid®, Mar. 1, 1988 Catalog Supplement; 1 page.  
Rubbermaid®, Apr. 27, 1987 price list; 1 page.  
Sterilite®, Microwave Reheatable Food Containers; 4 pages. undated.

*Primary Examiner*—Terry A. Wallace  
*Attorney, Agent, or Firm*—Donald Brown

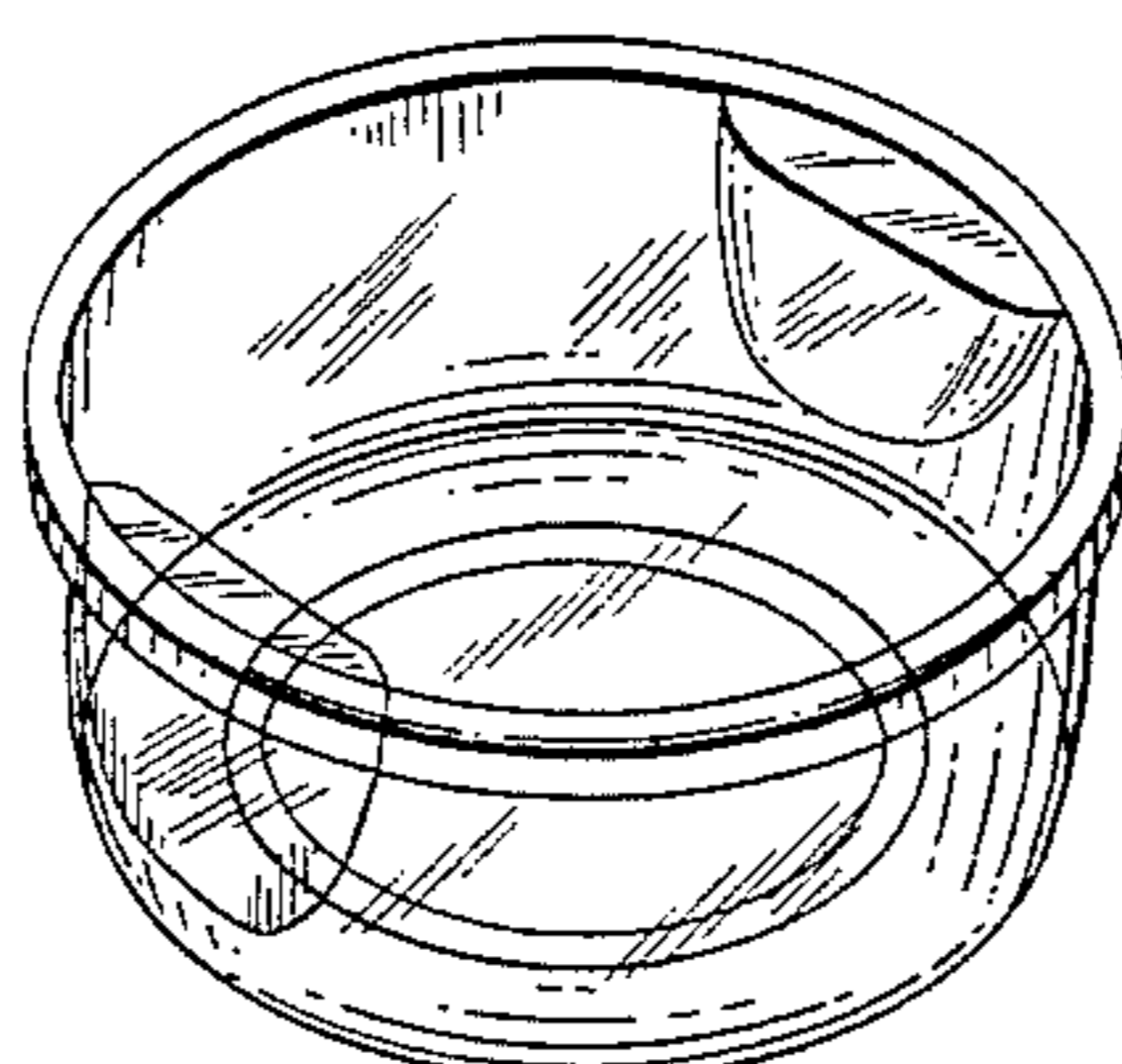
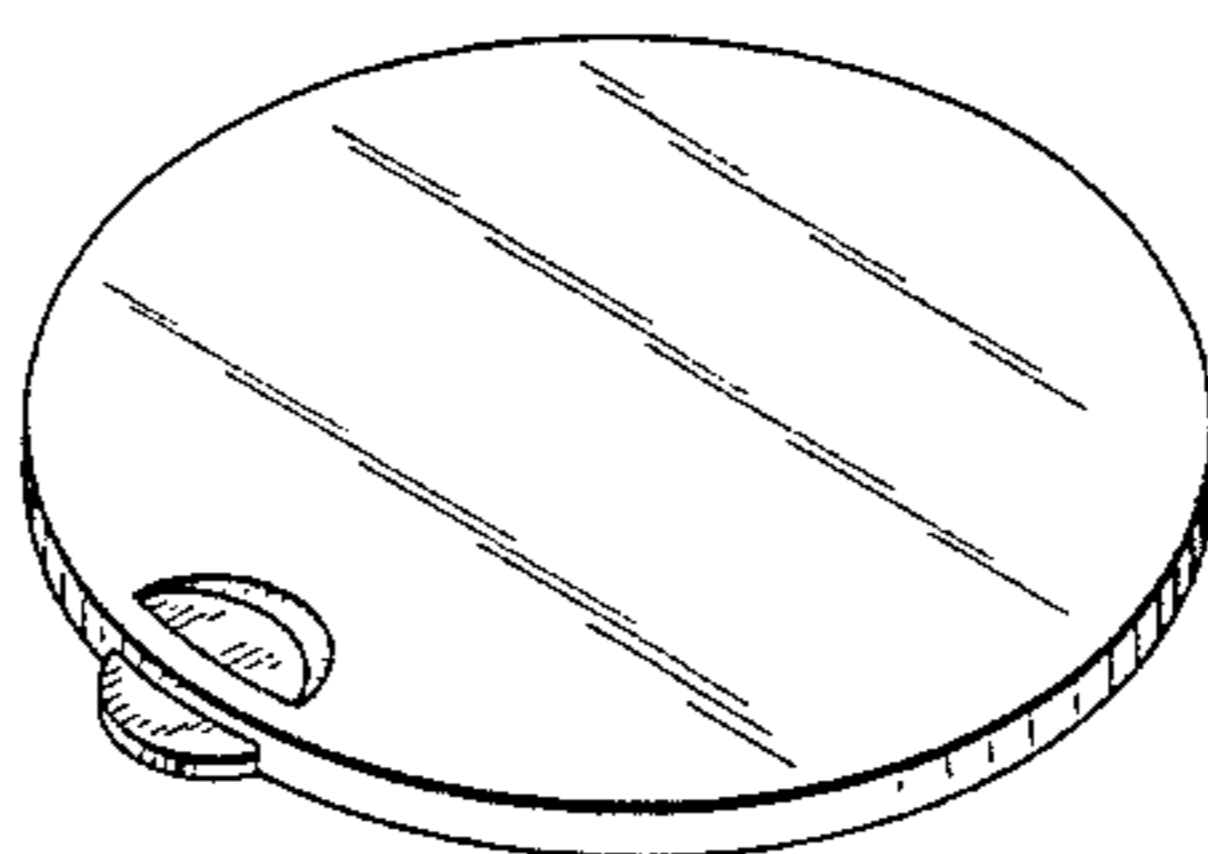
[57] **CLAIM**

The ornamental design of a rounded storage container, as shown and described.

**DESCRIPTION**

FIG. 1 is an exploded perspective view of a rounded storage container showing my new design;  
FIG. 2 is a top, front perspective view thereof in a closed position;  
FIG. 3 is a top plan view thereof;  
FIG. 4 is a front elevation view thereof;  
FIG. 5 is a right side elevation view thereof;  
FIG. 6 is a rear elevation view thereof;  
FIG. 7 is a left side elevation view thereof; and,  
FIG. 8 is a bottom plan view thereof.

**1 Claim, 4 Drawing Sheets**



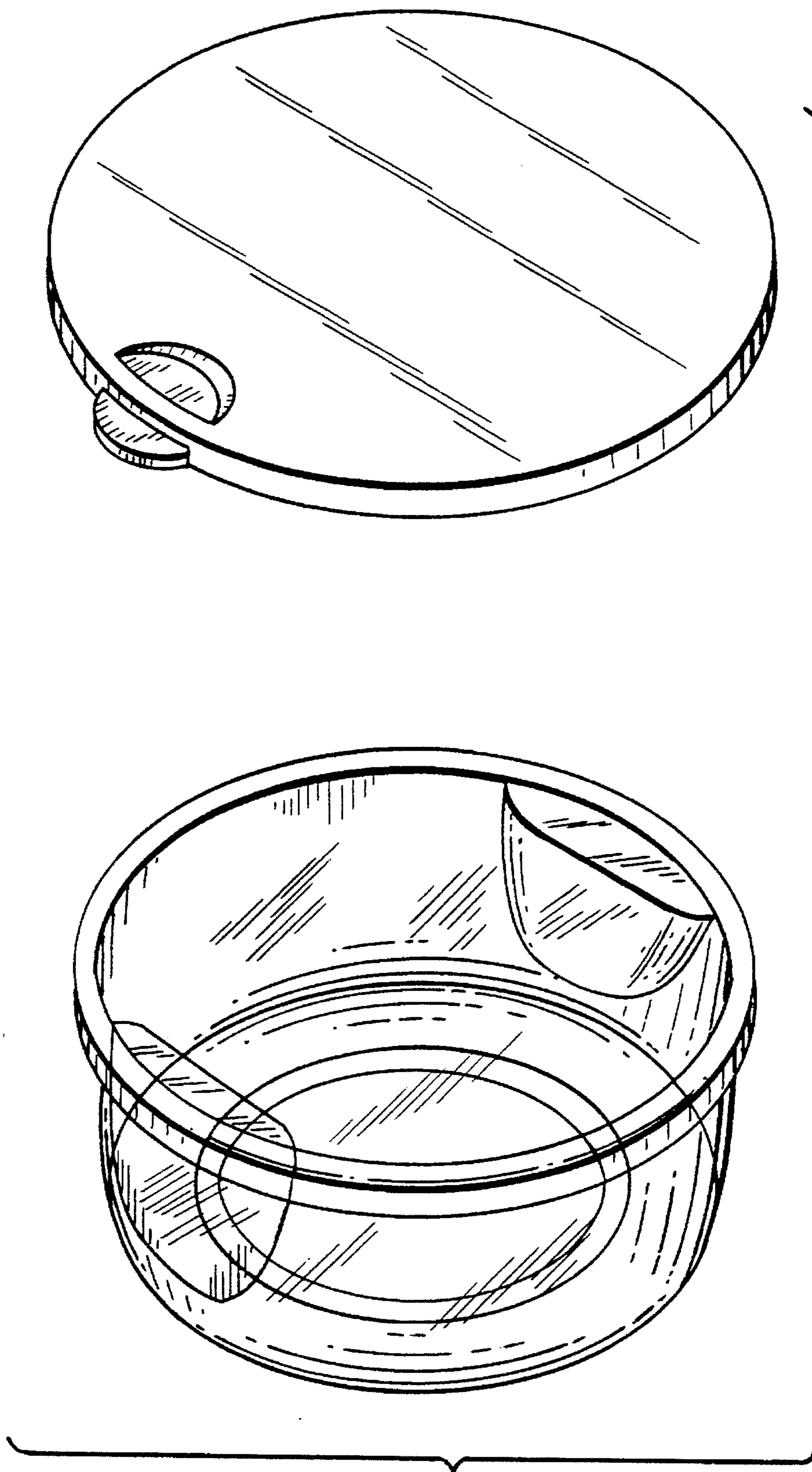


FIG. 1

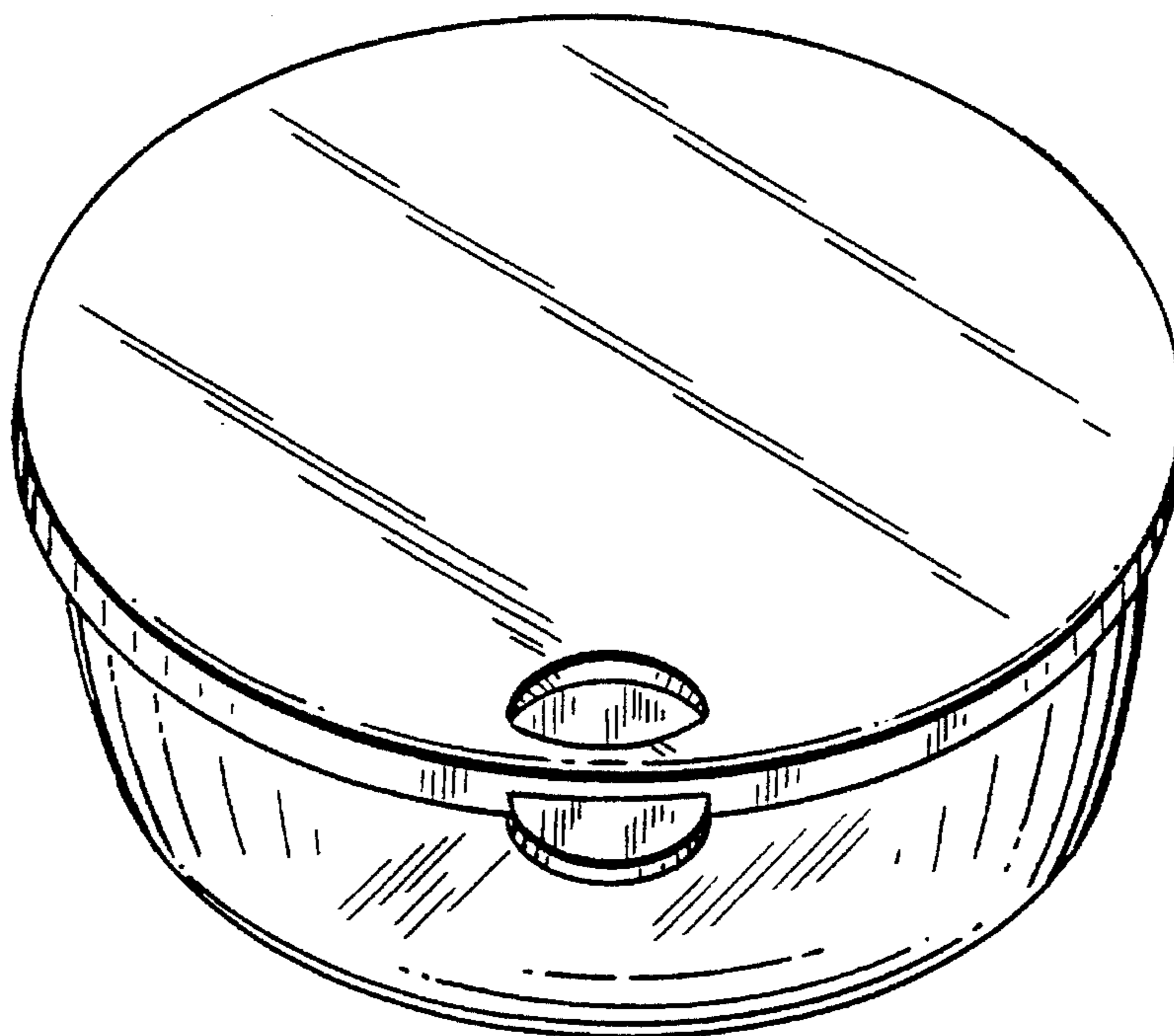


FIG. 2

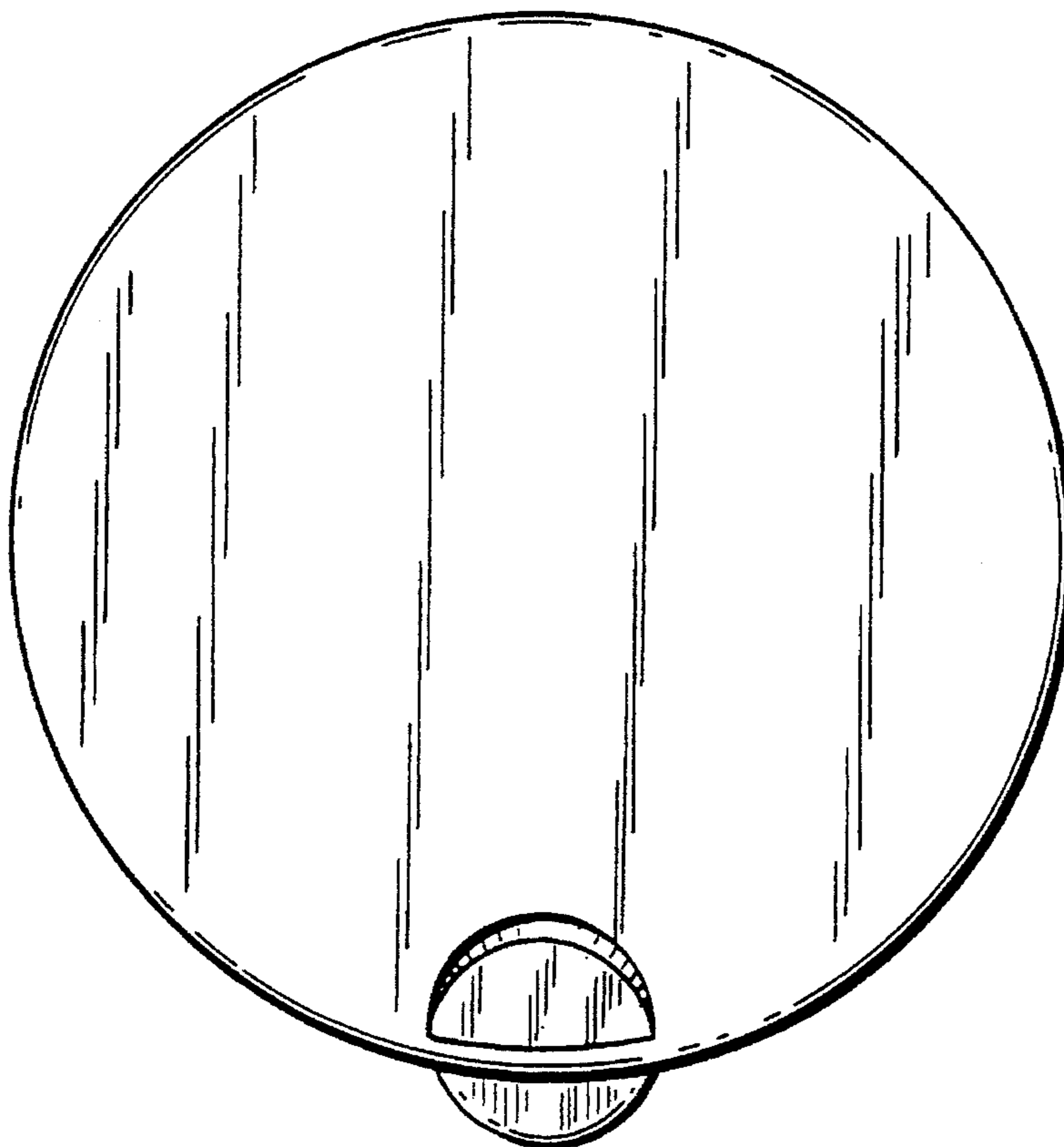


FIG. 3

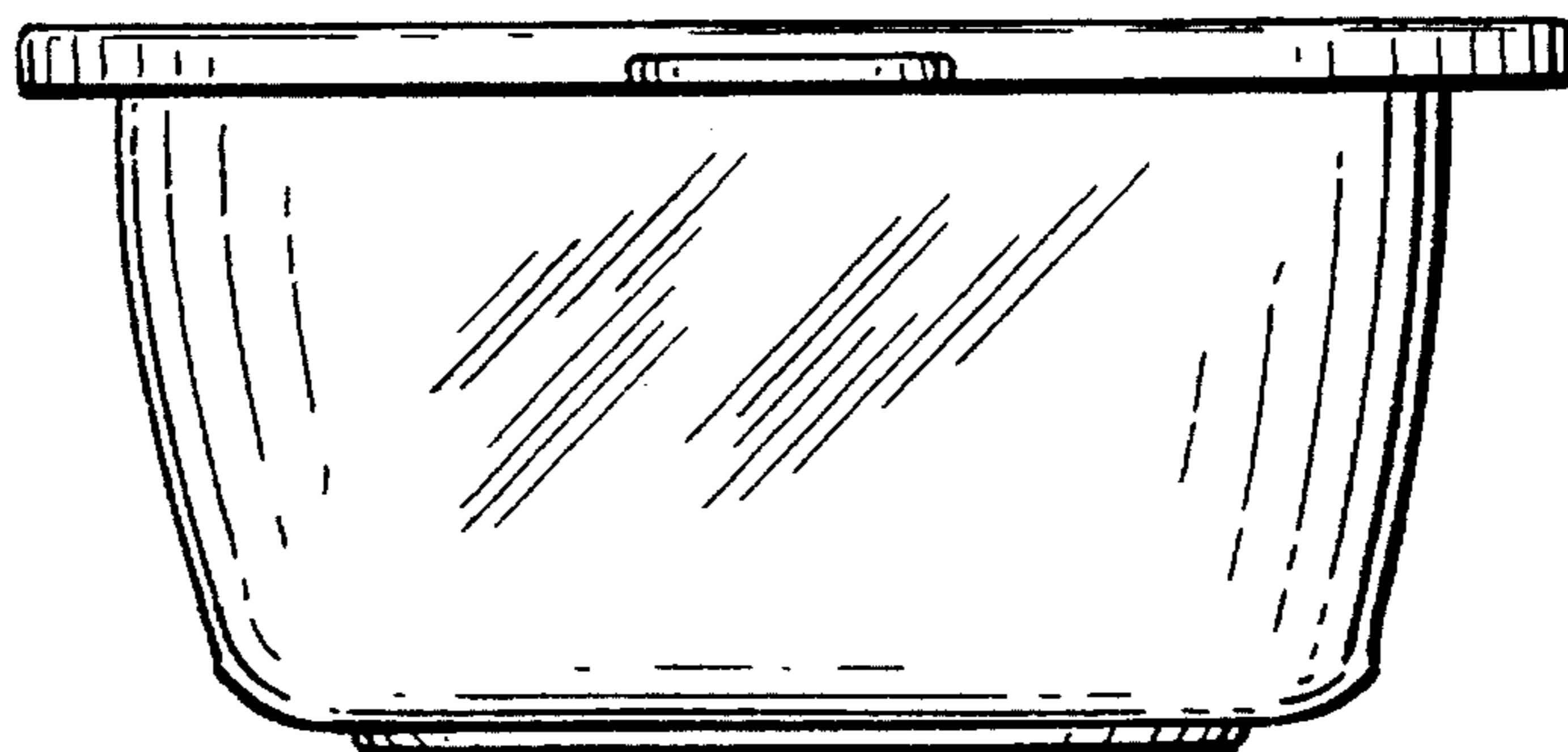


FIG. 4

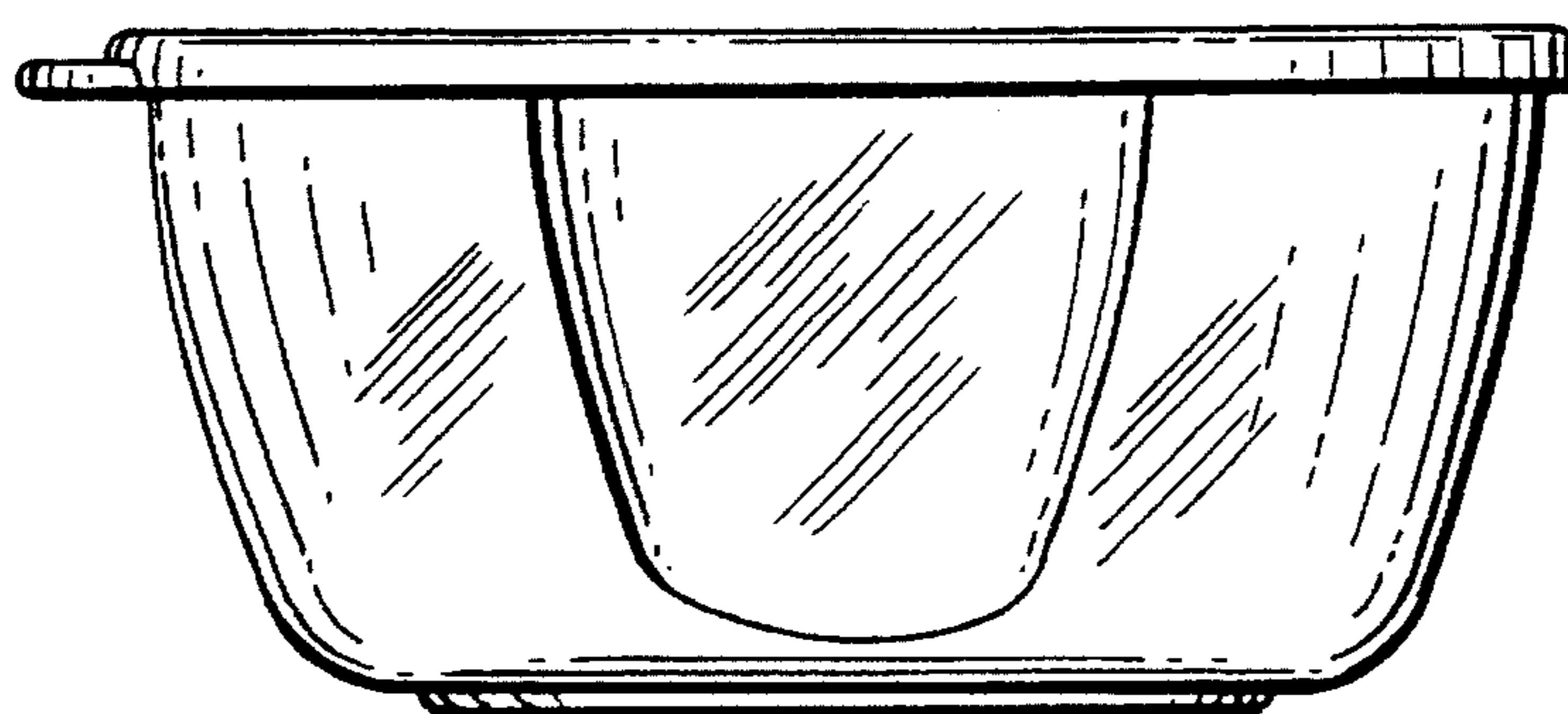


FIG. 5

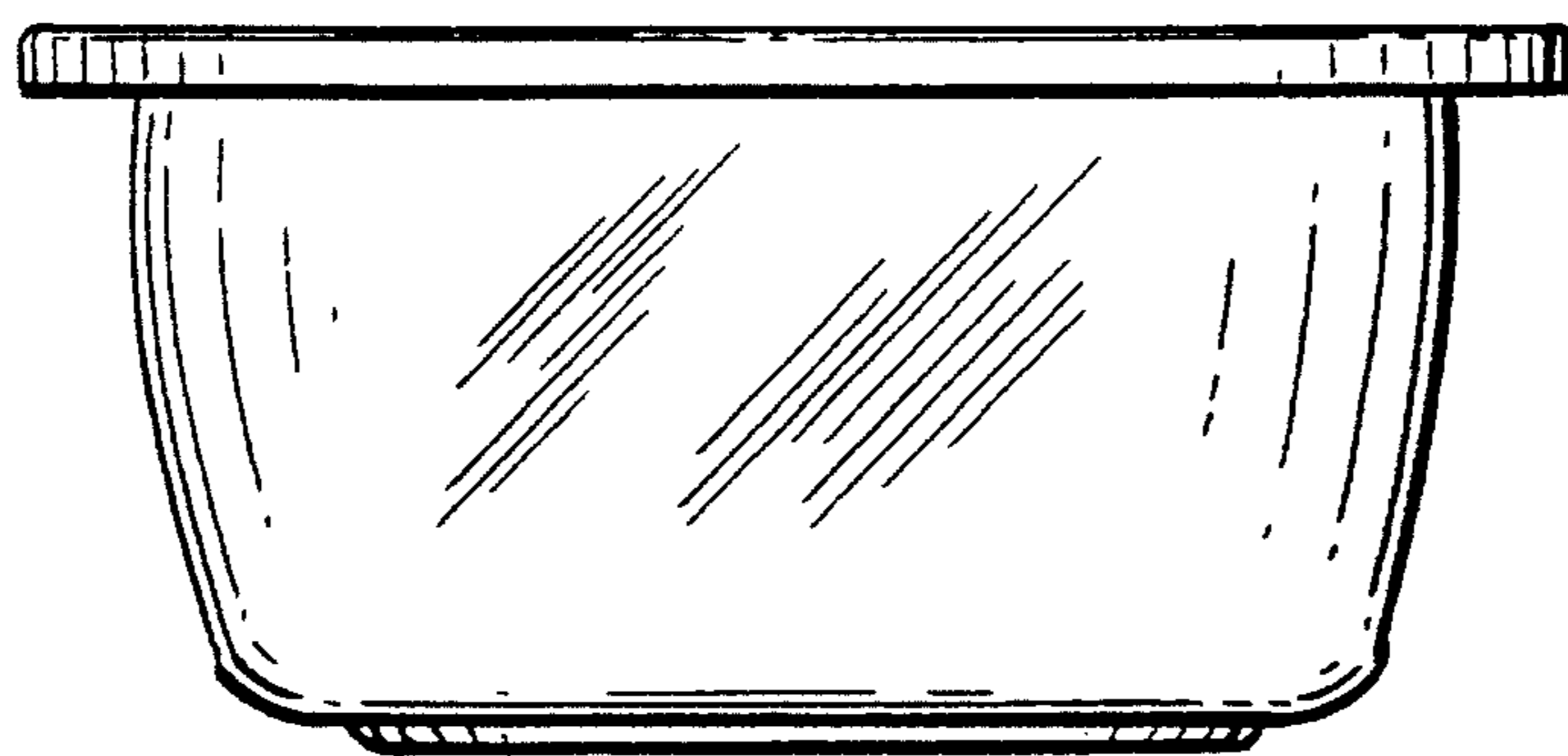


FIG. 6

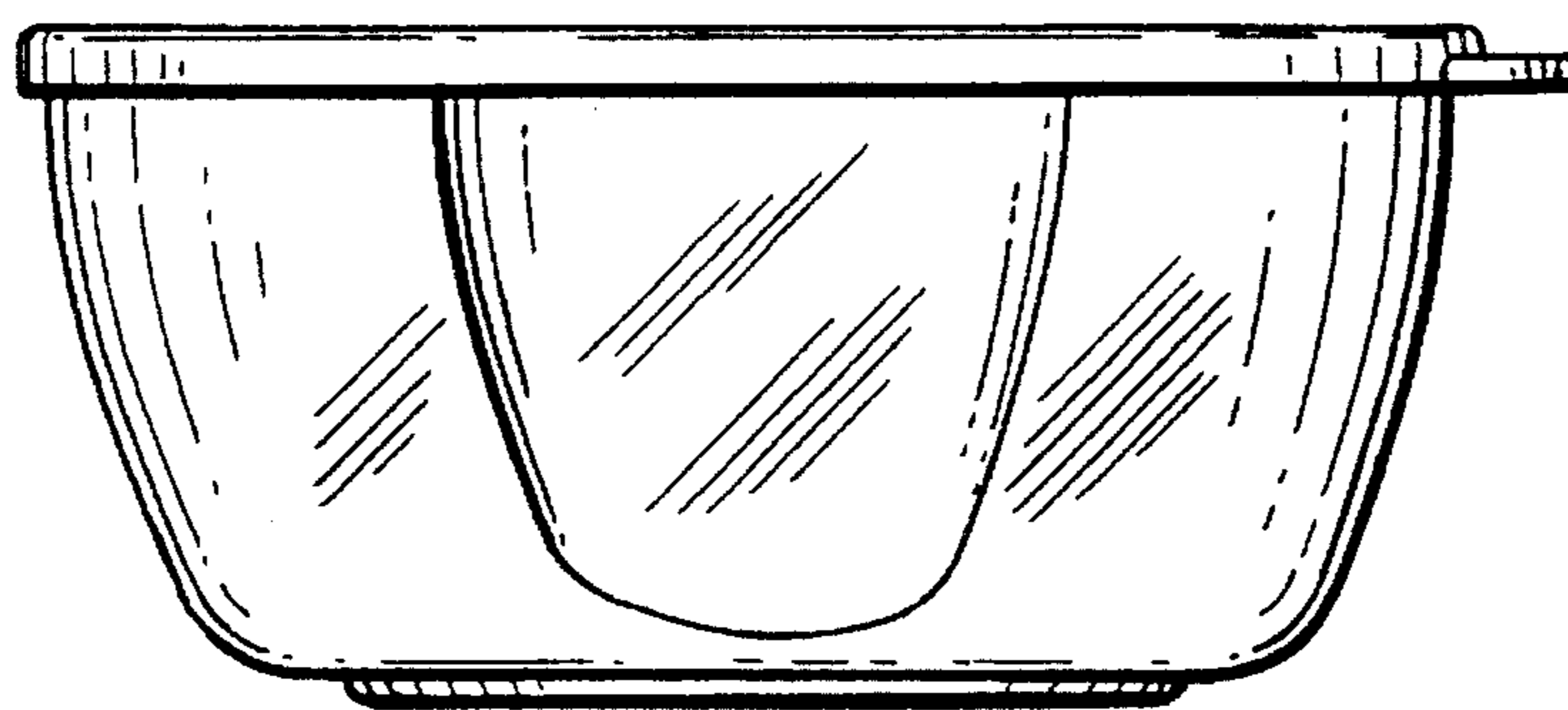


FIG. 7

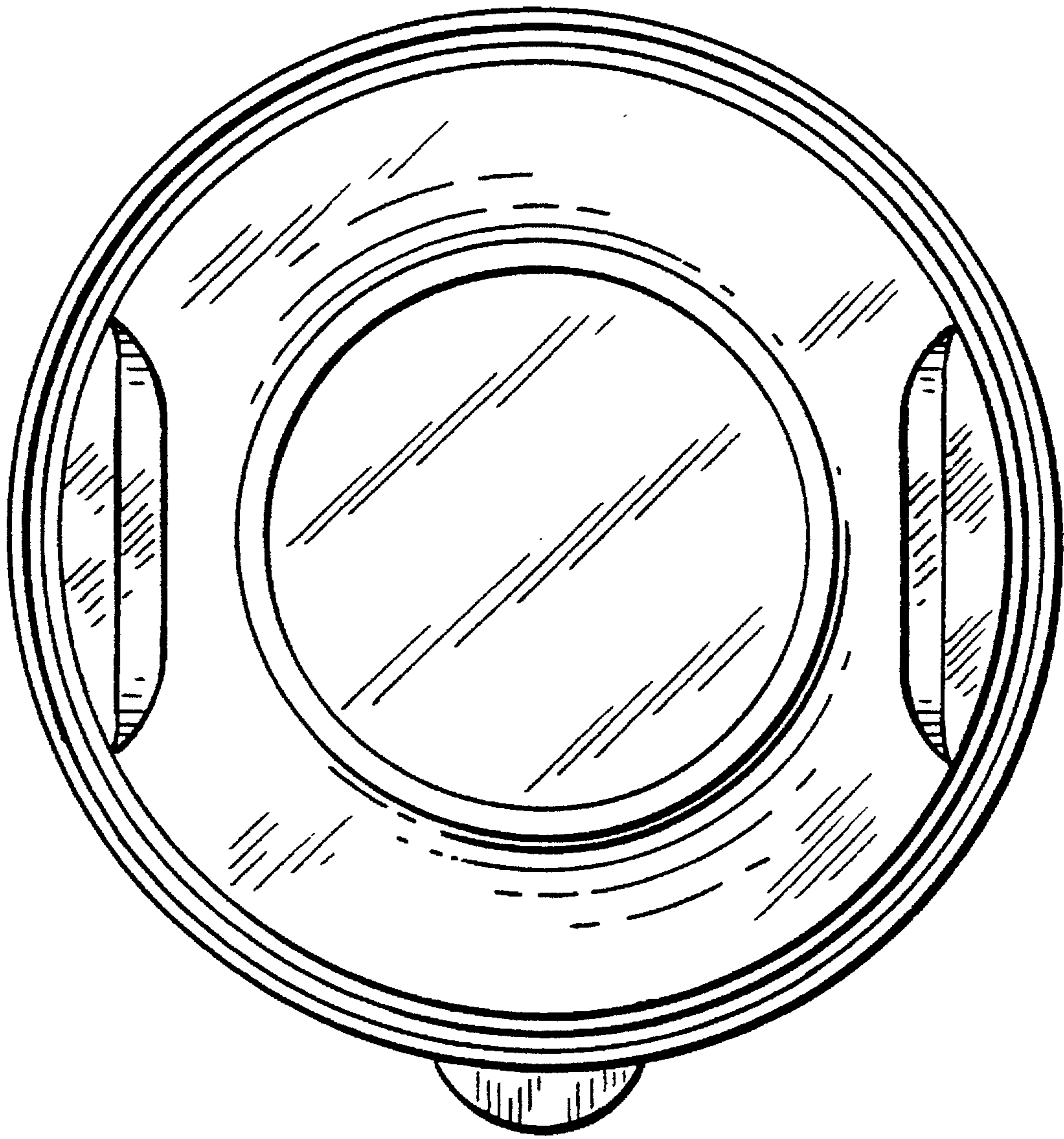


FIG. 8