



US00D367586S

United States Patent [19]

[11] Patent Number: **Des. 367,586**

Mills et al.

[45] Date of Patent: ****Mar. 5, 1996**

[54] **BOWL FOR A BEVERAGE DISPENSER**

[75] Inventors: **Jeffrey P. Mills**, Georgetown; **Gary F. Sardynski**, Medford; **Leonard Jacobs**, Chestnut Hill, all of Mass.

[73] Assignee: **Jet Spray Corp.**, Norwood, Mass.

[**] Term: **14 Years**

[21] Appl. No.: **30,810**

[22] Filed: **Nov. 8, 1994**

[52] U.S. Cl. **D7/397; D7/387**

[58] Field of Search **D7/300, 311, 305, D7/306, 307, 308, 589, 590, 397, 387, 392, 313, 312, 321, 326, 391, 392; 222/185.1, 146.6; 62/389, 391**

3,339,934	9/1967	Gordon .
3,341,077	9/1967	Gordon .
3,342,384	9/1967	Jacobs .
3,360,956	1/1968	Gordon .
3,385,413	5/1968	Jacobs et al. .
3,503,541	3/1970	Jacobs et al. .
3,539,081	11/1970	Norton et al. .
3,568,887	3/1971	Jacobs et al. .
3,575,536	4/1971	Jacobs et al. .
3,582,096	6/1971	Norton et al. .
3,591,055	7/1971	Norton .
3,710,981	1/1973	Arzberger et al. .
3,730,144	5/1973	Arzberger .

(List continued on next page.)

FOREIGN PATENT DOCUMENTS

1244907 11/1988 Canada .

OTHER PUBLICATIONS

Tower Max™ Simulated Bubbler Owners Manual, no date available.

Jet Spray Product Literature—Sales Brochures—No Date Available.

Primary Examiner—Carmen H. Vales-Lado

Assistant Examiner—M. N. Pandozzi

Attorney, Agent, or Firm—Wolf, Greenfield & Sacks

[56] References Cited

U.S. PATENT DOCUMENTS

Re. 33,943	6/1992	Arzberger et al. .	
D. 109,919	5/1938	McHenry .	
D. 193,759	10/1962	Hodgman .	
D. 202,023	8/1965	Gordon .	
D. 233,271	10/1974	Holcomb .	
D. 282,617	2/1986	Hogan .	
D. 304,989	12/1989	Fossella	D7/311 X
D. 321,107	10/1991	Laws	D7/311 X
D. 337,019	7/1993	Newnan .	
D. 348,728	7/1994	Jacobs	D7/392
D. 353,740	12/1994	Gilstrap	D7/311 X
D. 359,874	7/1995	Smith et al.	D7/311
441,628	11/1890	Coon et al. .	
1,649,688	11/1927	Harrison .	
1,654,379	12/1927	Matzka .	
1,708,212	4/1929	Benham .	
1,760,887	6/1930	Saugman .	
1,782,943	11/1930	Stanford et al. .	
1,782,944	11/1930	Stanford et al. .	
1,799,852	4/1931	Jones .	
1,807,966	6/1931	Corcoran .	
2,072,841	3/1937	Tracey et al. .	
2,186,564	1/1940	Thiberg .	
2,278,383	3/1942	Rosenblatt .	
2,741,400	4/1956	Hazzard .	
3,255,609	6/1966	Jacobs et al. .	
3,323,813	6/1967	Gordon .	

[57] CLAIM

The ornamental design for a bowl for a beverage dispenser, as shown and described.

DESCRIPTION

FIG. 1 is a perspective view of a bowl for a beverage dispenser showing our new design;

FIG. 2 is a front elevational view;

FIG. 3 is a right side elevational view, with the left side elevation being a mirror image;

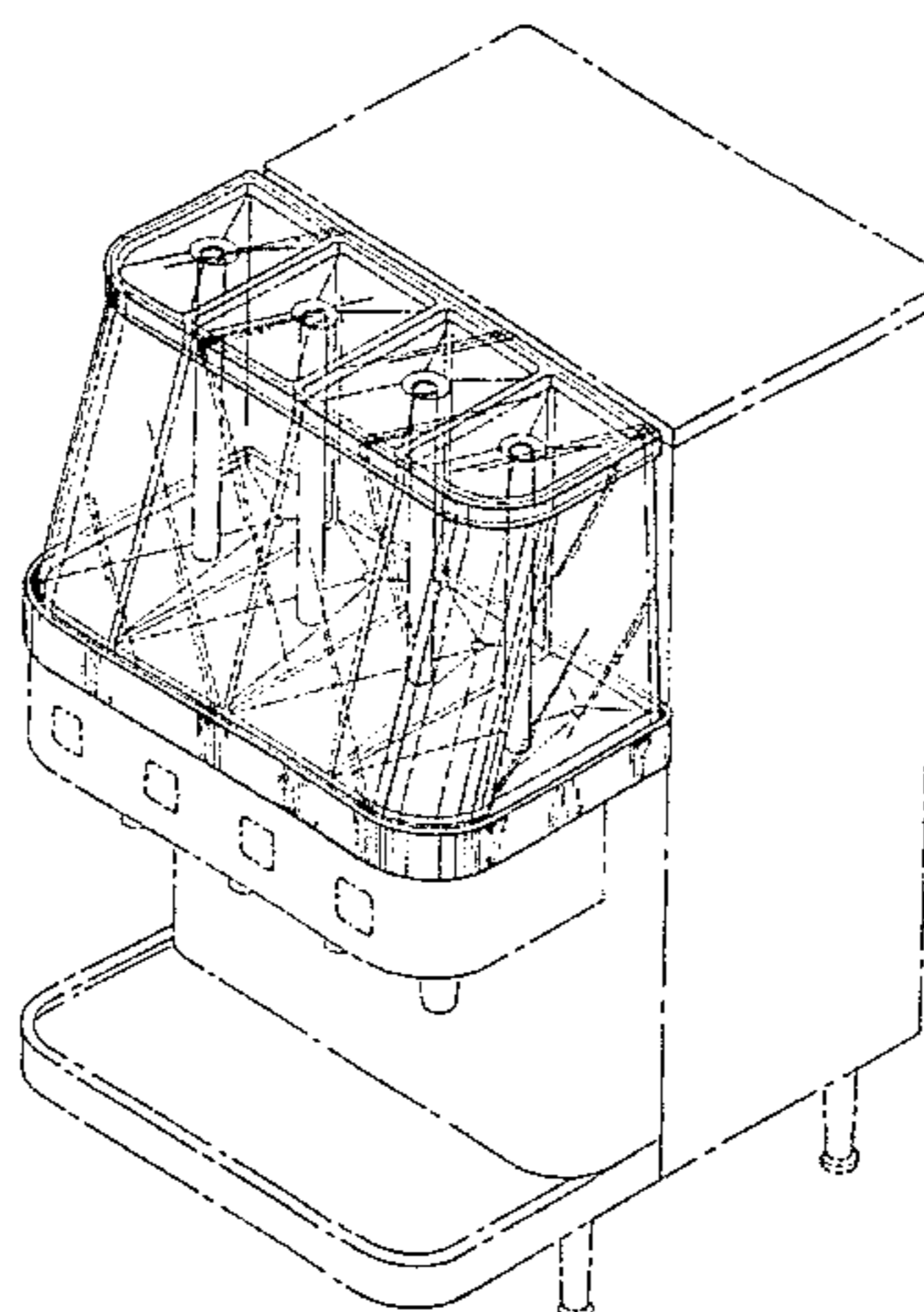
FIG. 4 is a rear elevational view;

FIG. 5 is a top plan view; and,

FIG. 6 is a bottom plan view.

The beverage dispenser housing shown in dashed line in FIG. 1 is shown for illustrative purposes and forms no part of the claimed invention.

1 Claim, 3 Drawing Sheets



Des. 367,586

Page 2

U.S. PATENT DOCUMENTS

3,730,488	5/1973	Gardner, Jr. .	3,927,802	12/1975	Lavochkin et al. .	
3,737,076	6/1973	Gardner, Jr. et al. .	4,610,145	9/1986	Arzberger et al. .	
3,822,565	7/1974	Arzberger .	4,645,095	2/1987	Coppola .	
3,851,127	11/1974	Gardner, Jr. et al. .	4,717,045	1/1988	Coppola .	
3,880,329	4/1975	Gardner, Jr. et al. .	4,728,005	3/1988	Jacobs et al. .	
3,903,628	9/1975	Goveau .	4,757,625	7/1988	Watkins .	
3,915,341	10/1975	Brown .	4,917,155	4/1990	Koblasz et al.	D7/308 X
3,920,163	11/1975	Brown .	5,174,239	12/1992	Sato .	
			5,402,914	4/1995	Zapp .	

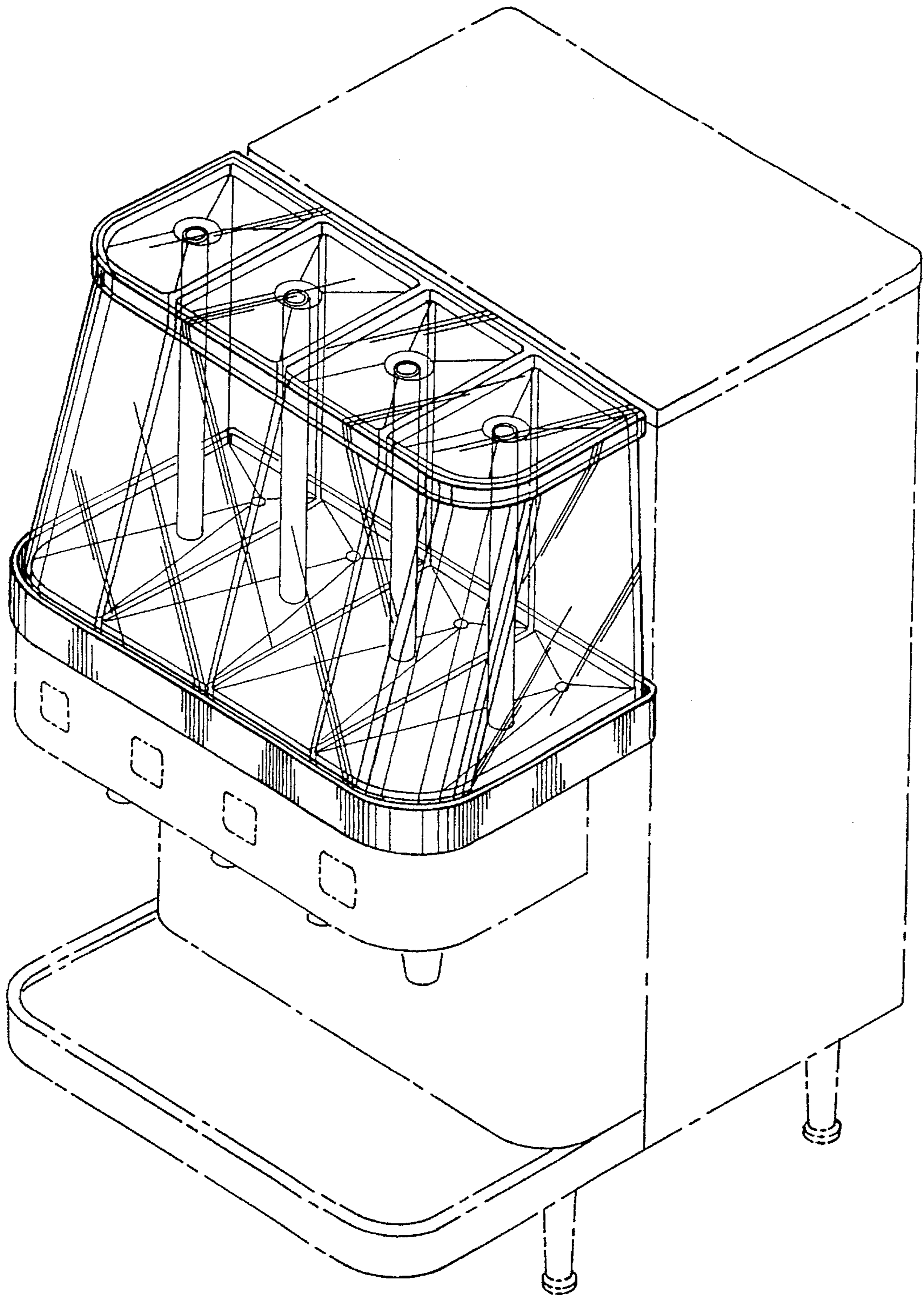


Fig. 1

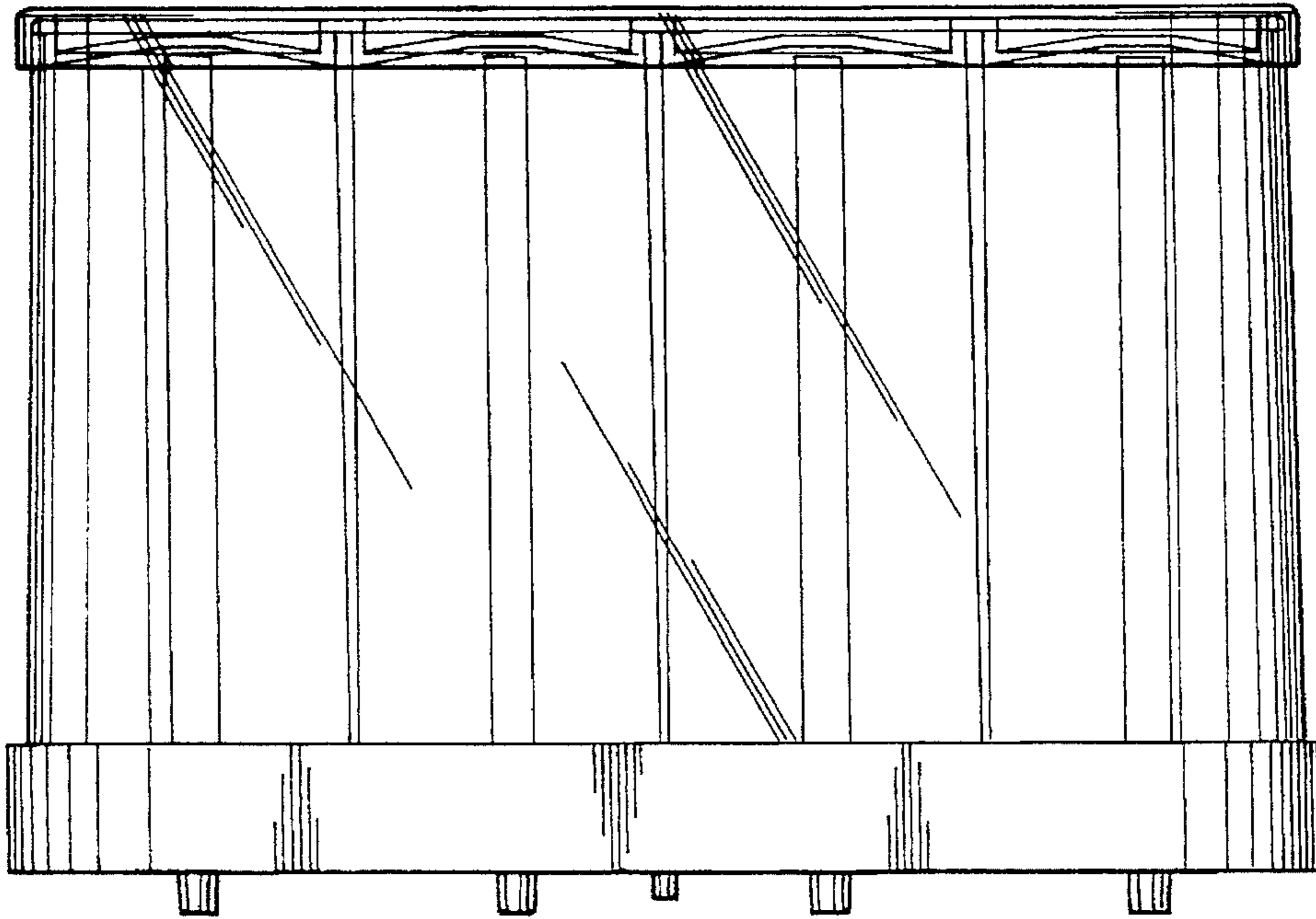


Fig. 2

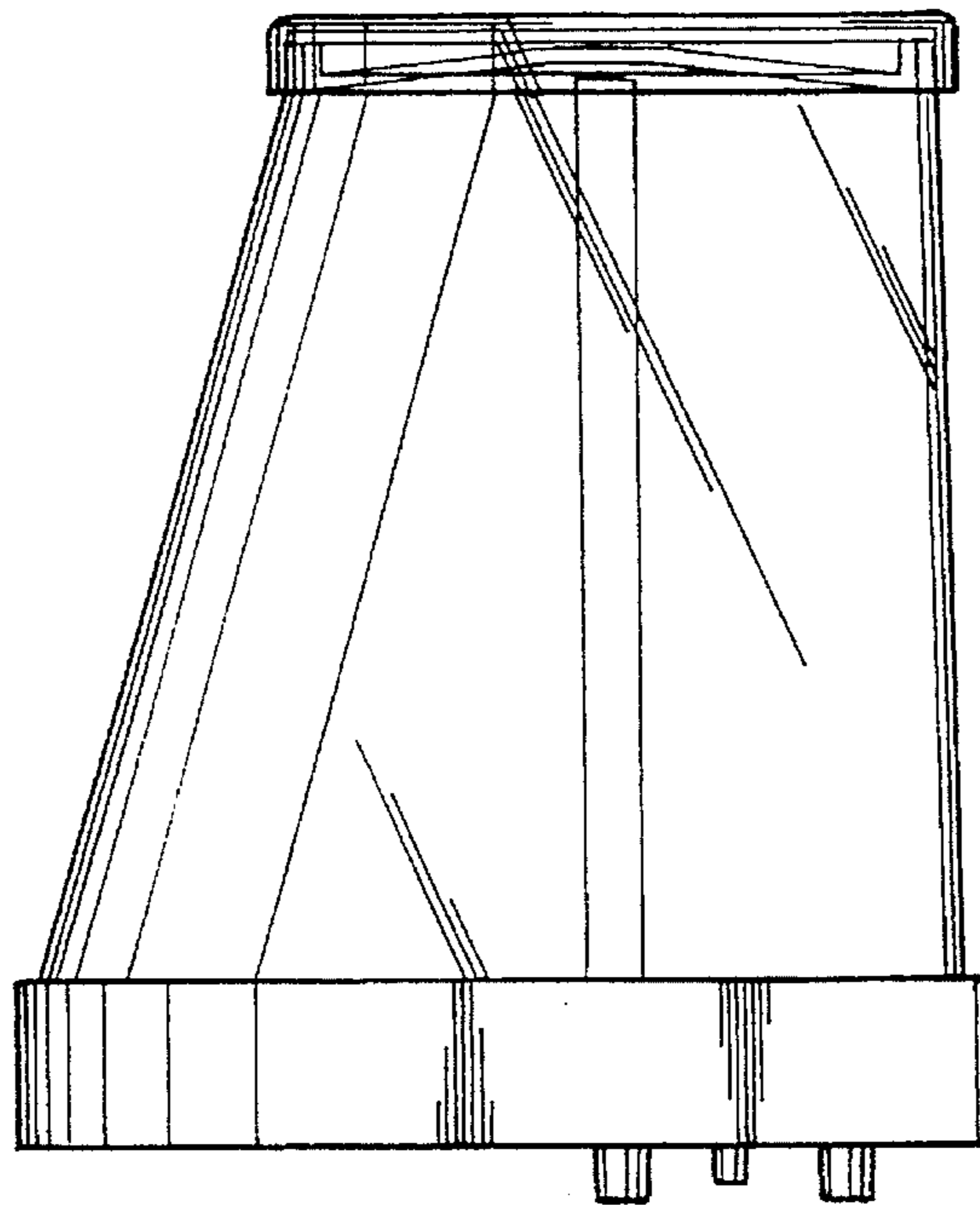


Fig. 3

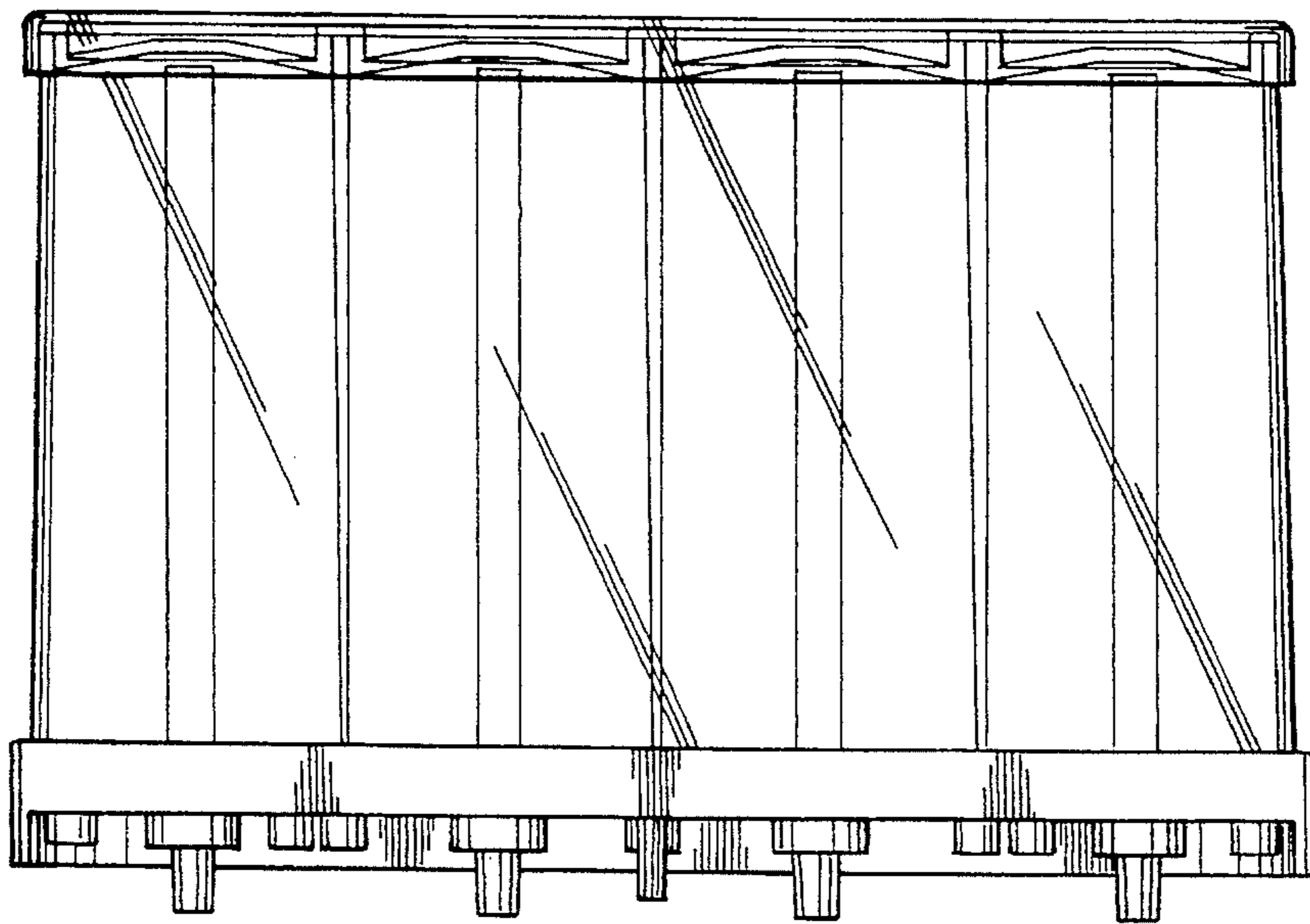


Fig. 4

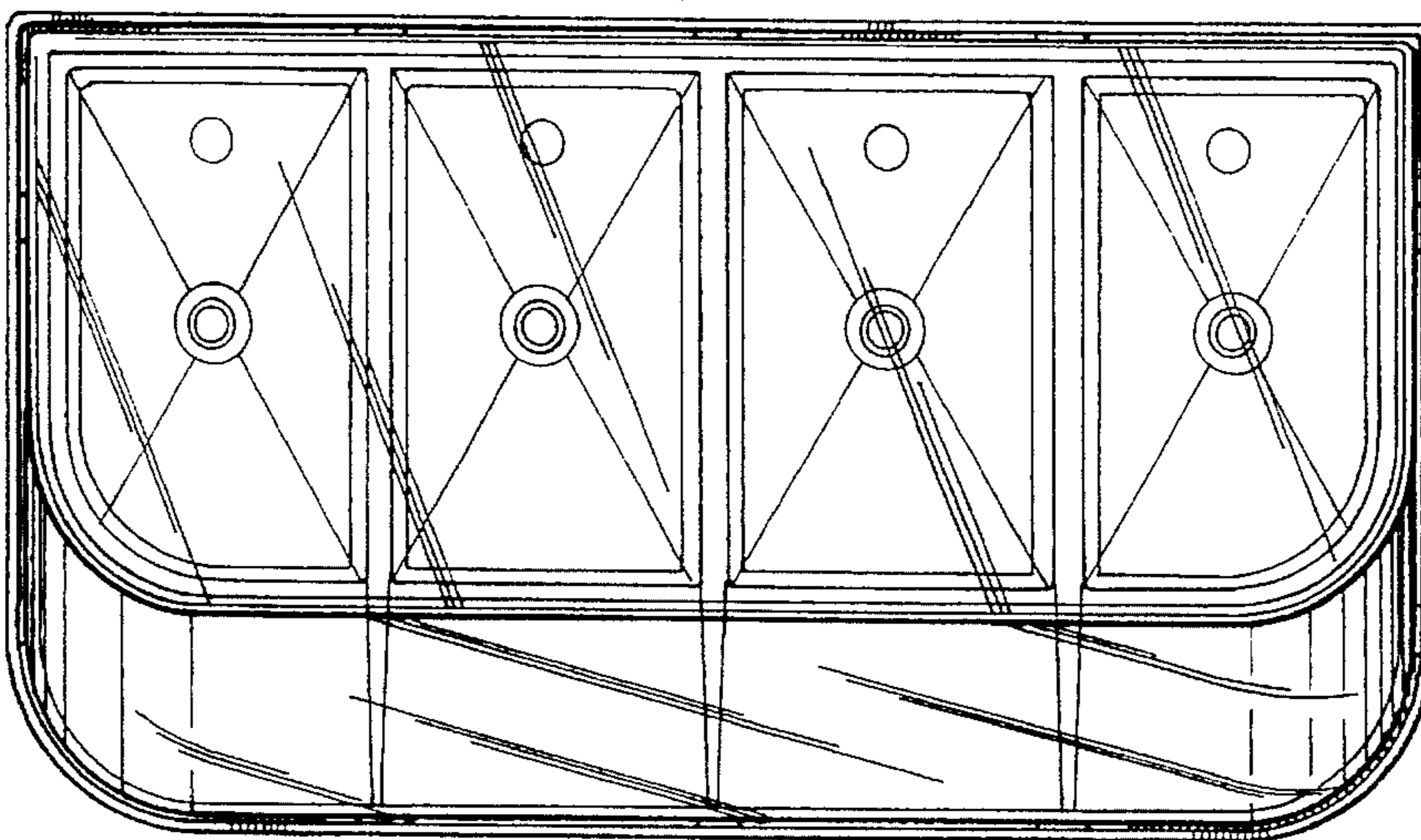


Fig. 5

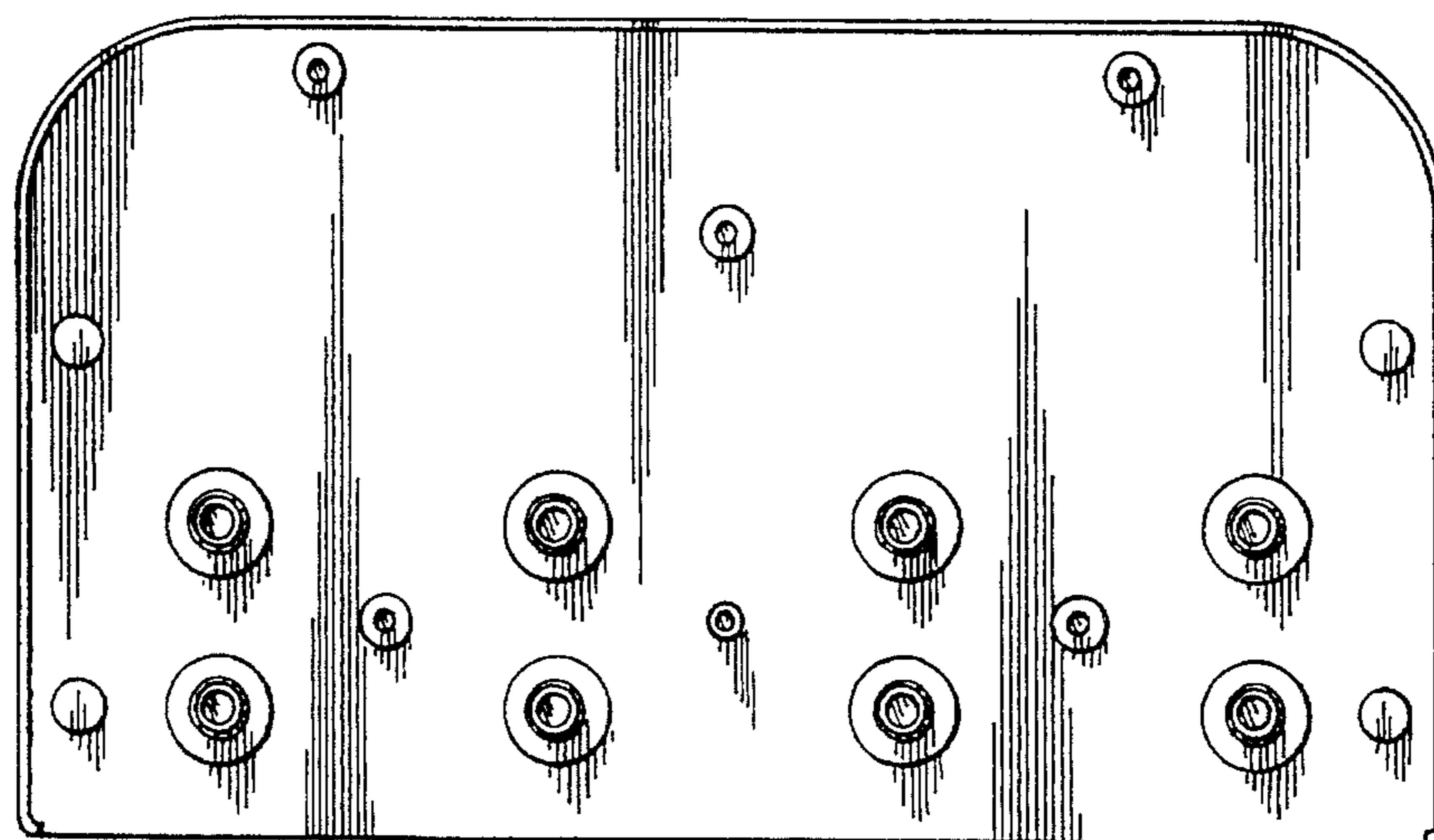


Fig. 6