



US00D367583S

United States Patent [19] Littmann

[11] Patent Number: **Des. 367,583**

[45] Date of Patent: ****Mar. 5, 1996**

[54] **FOOD PROCESSOR**

[75] Inventor: **Ludwig Littmann**, Kronberg, Germany

[73] Assignee: **Braun Aktiengesellschaft**,
Kronbert/Ts., Germany

[**] Term: **14 Years**

[21] Appl. No.: **37,785**

[22] Filed: **Apr. 20, 1995**

[30] **Foreign Application Priority Data**

Oct. 24, 1994 [DE] Germany M 94 08 318.5

[52] U.S. Cl. **D7/384; D7/376**

[58] **Field of Search** D7/376-378, 381,
D7/384, 386, 412; 241/37.5, 92.93, 101.1,
199.12, 282.1, 282.2

[56] **References Cited**

U.S. PATENT DOCUMENTS

D. 272,120 1/1984 Sawada et al. D7/384

D. 297,901 10/1988 Barrault D7/384

D. 328,998 9/1992 Maass D7/376

D. 338,803 8/1993 Littmann D7/376 X

Primary Examiner—Alan P. Douglas
Assistant Examiner—Caron D. Veynar
Attorney, Agent, or Firm—Fish & Richardson

[57] **CLAIM**

The ornamental design for a food processor, as shown and described.

DESCRIPTION

FIG. 1 is a perspective right-side front elevational view of the food processor, showing my design;

FIG. 2 is a front view of the appliance of FIG. 1;

FIG. 3 is a right-side view of the appliance of FIG. 2;

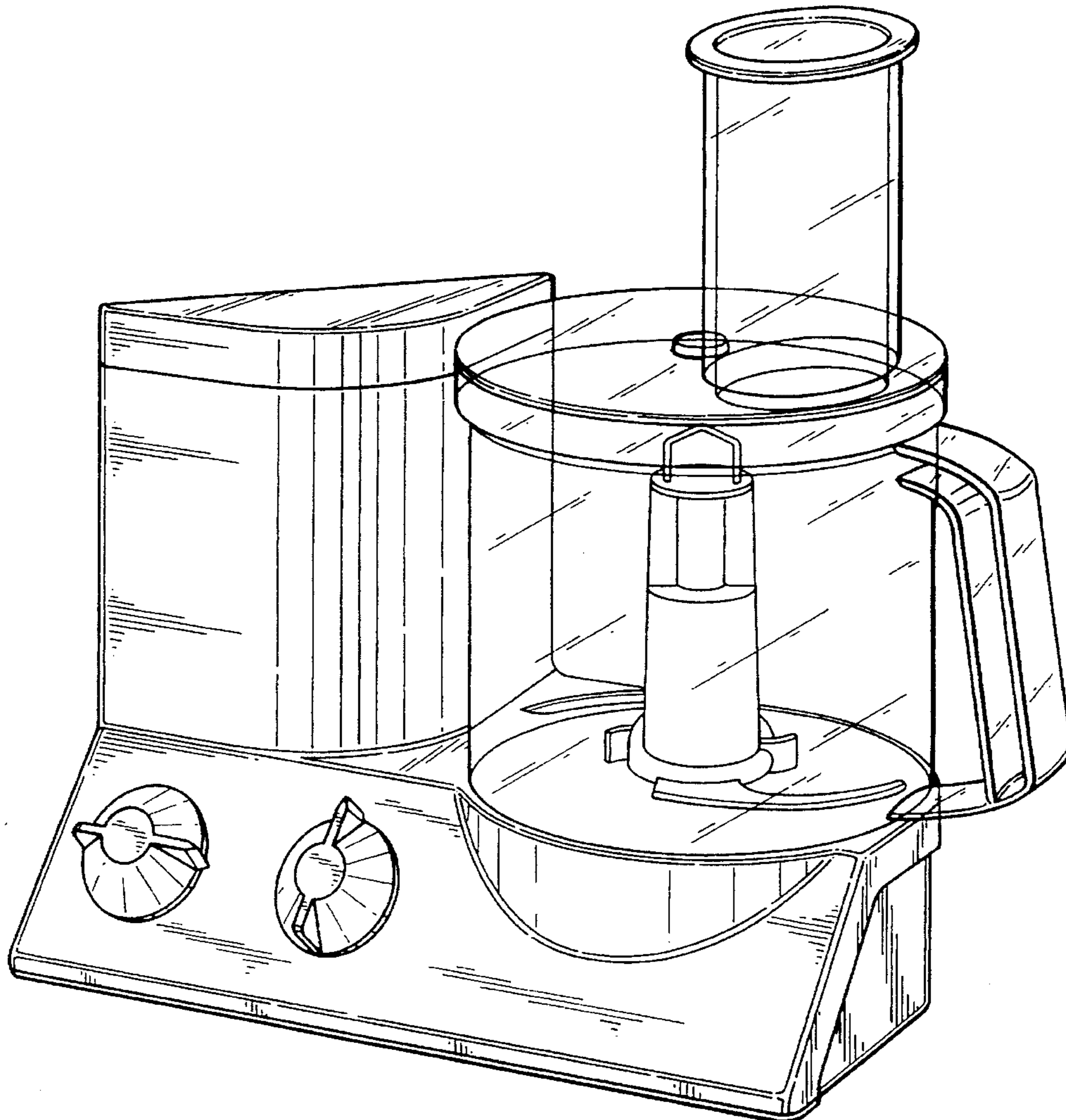
FIG. 4 is a left-side view of the appliance of FIG. 2;

FIG. 5 is a rear view of the appliance of FIG. 2;

FIG. 6 is a top plan view of the appliance of FIG. 2, and,

FIG. 7 is a bottom plan view of the appliance of FIG. 2.

1 Claim, 6 Drawing Sheets



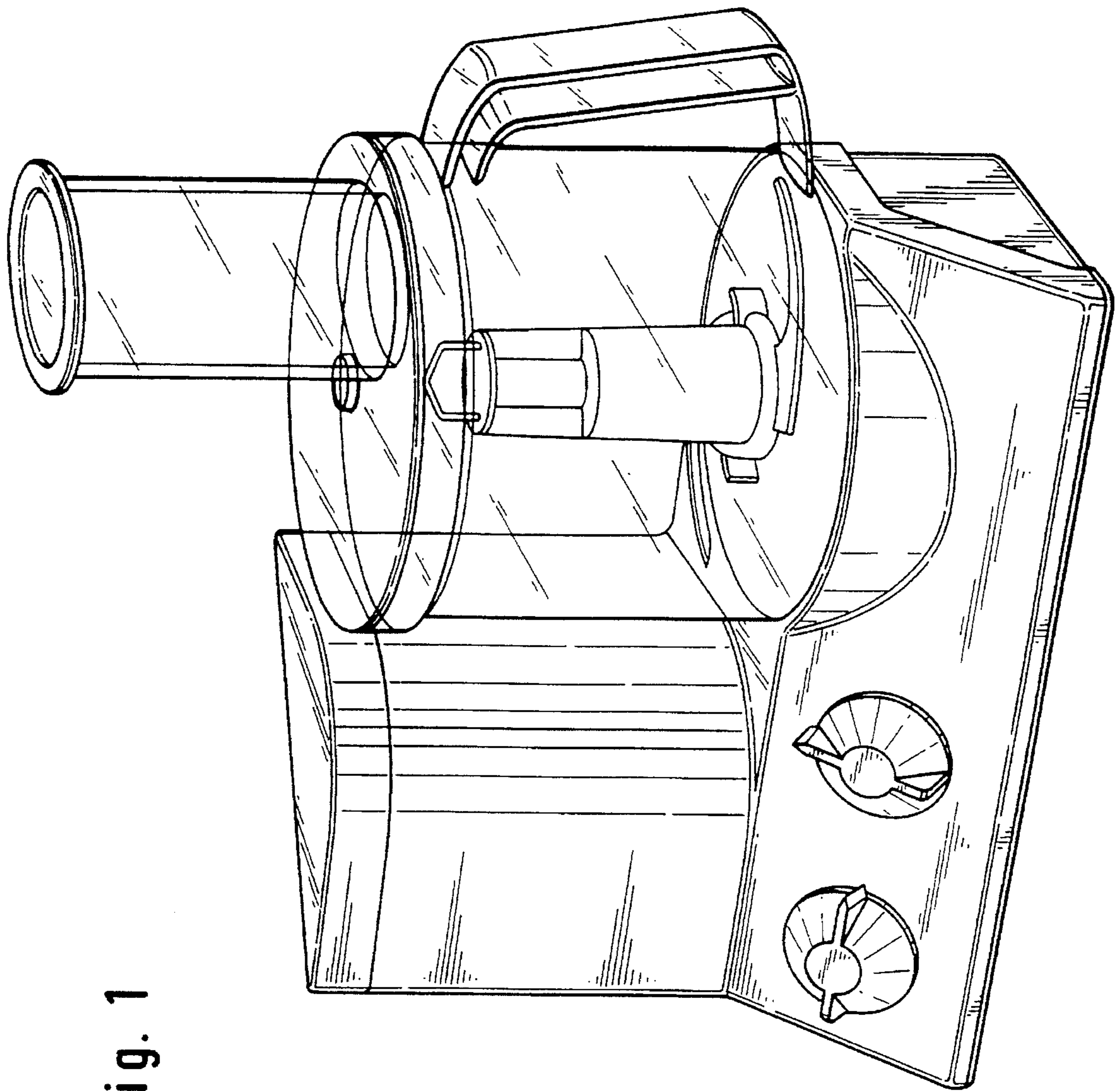


Fig. 1

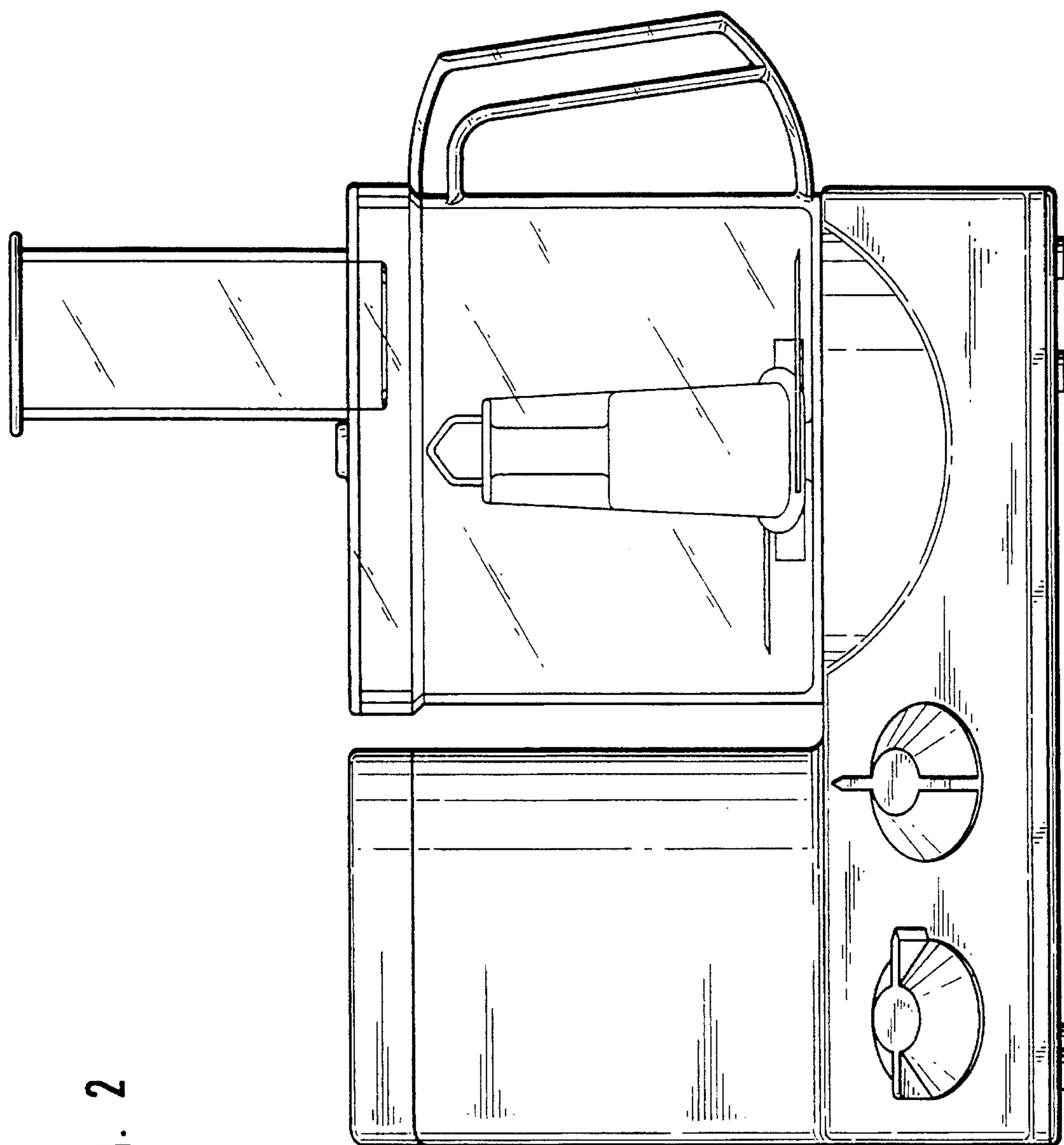


Fig. 2

Fig. 4

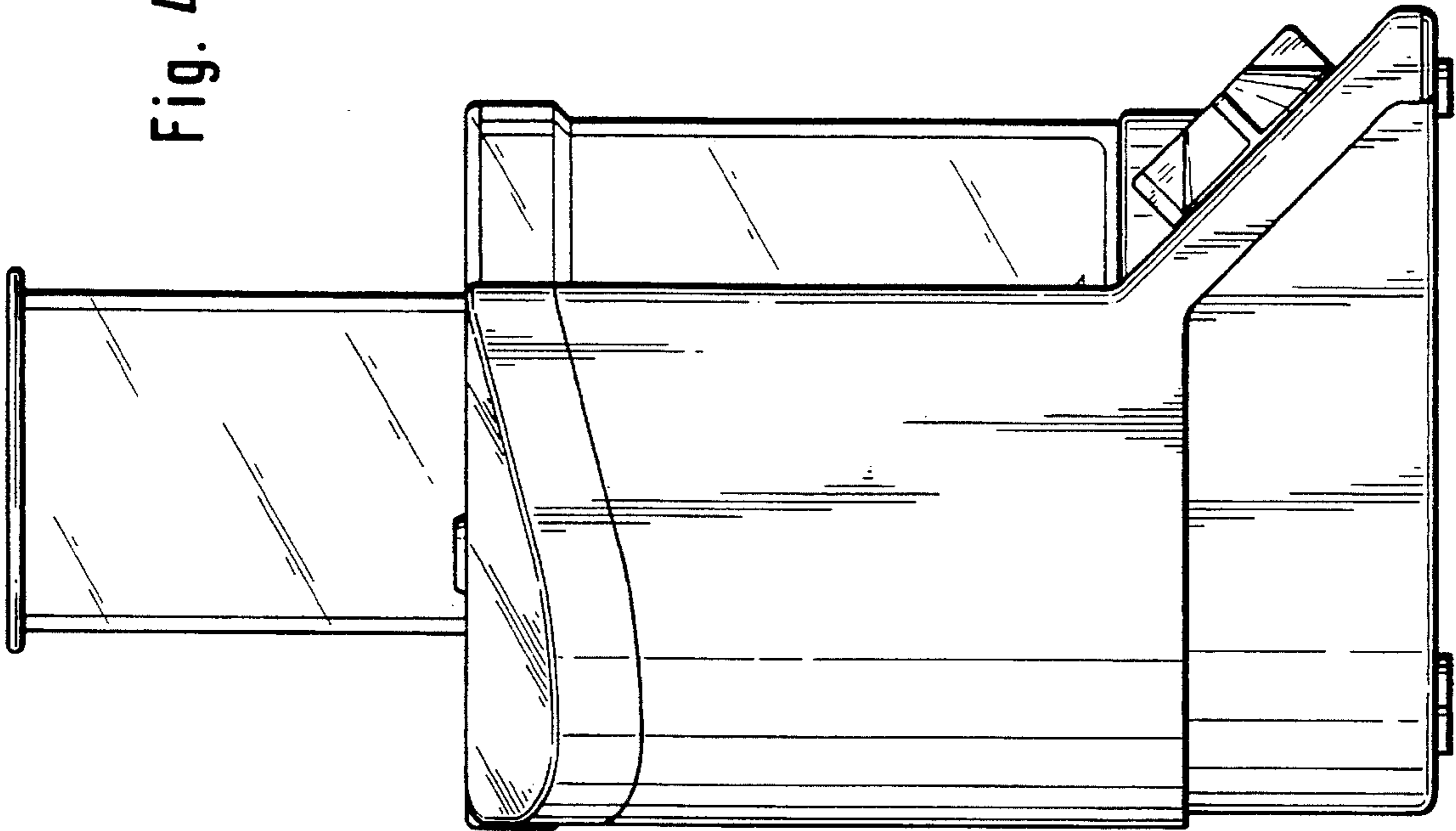
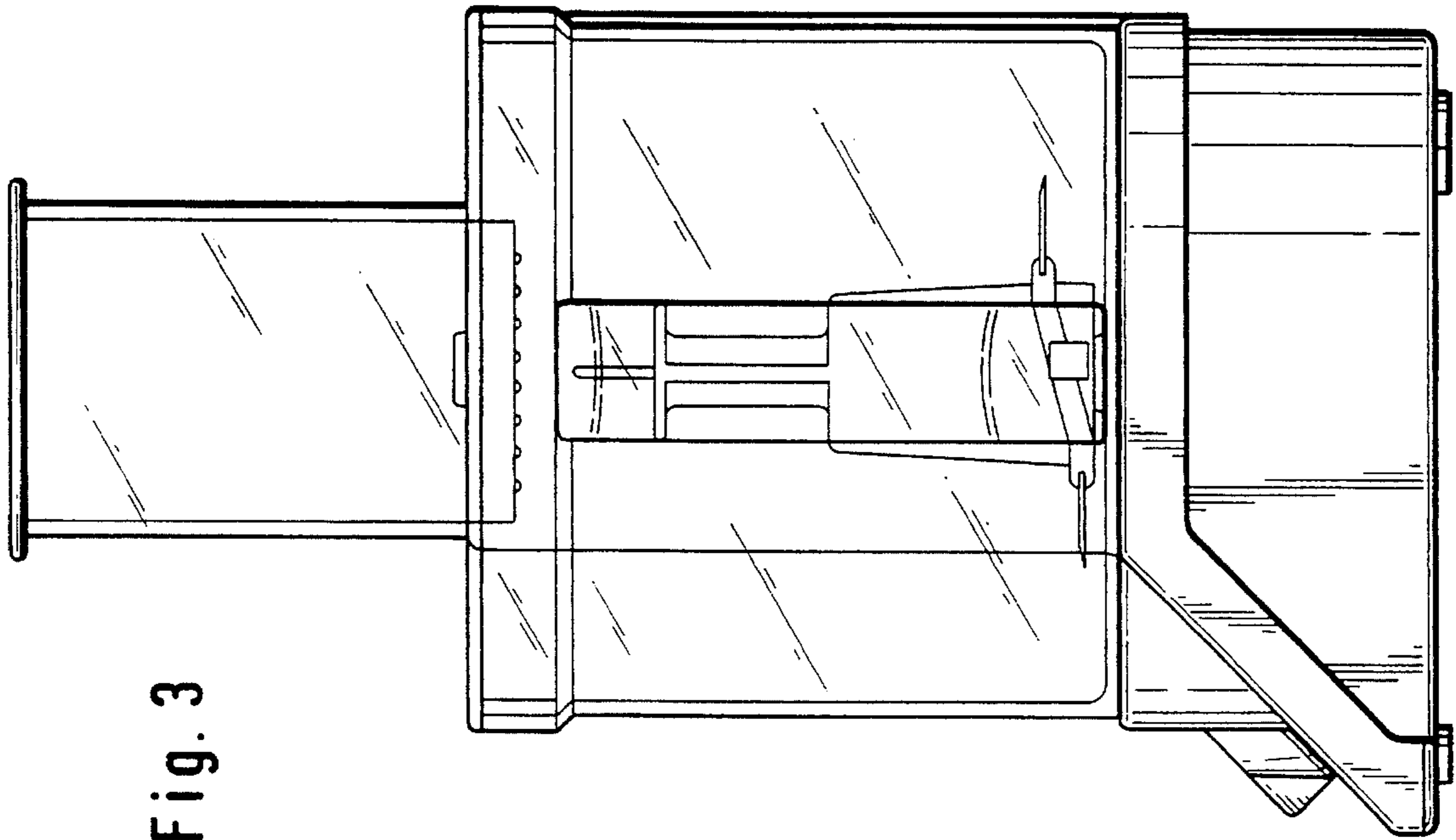


Fig. 3



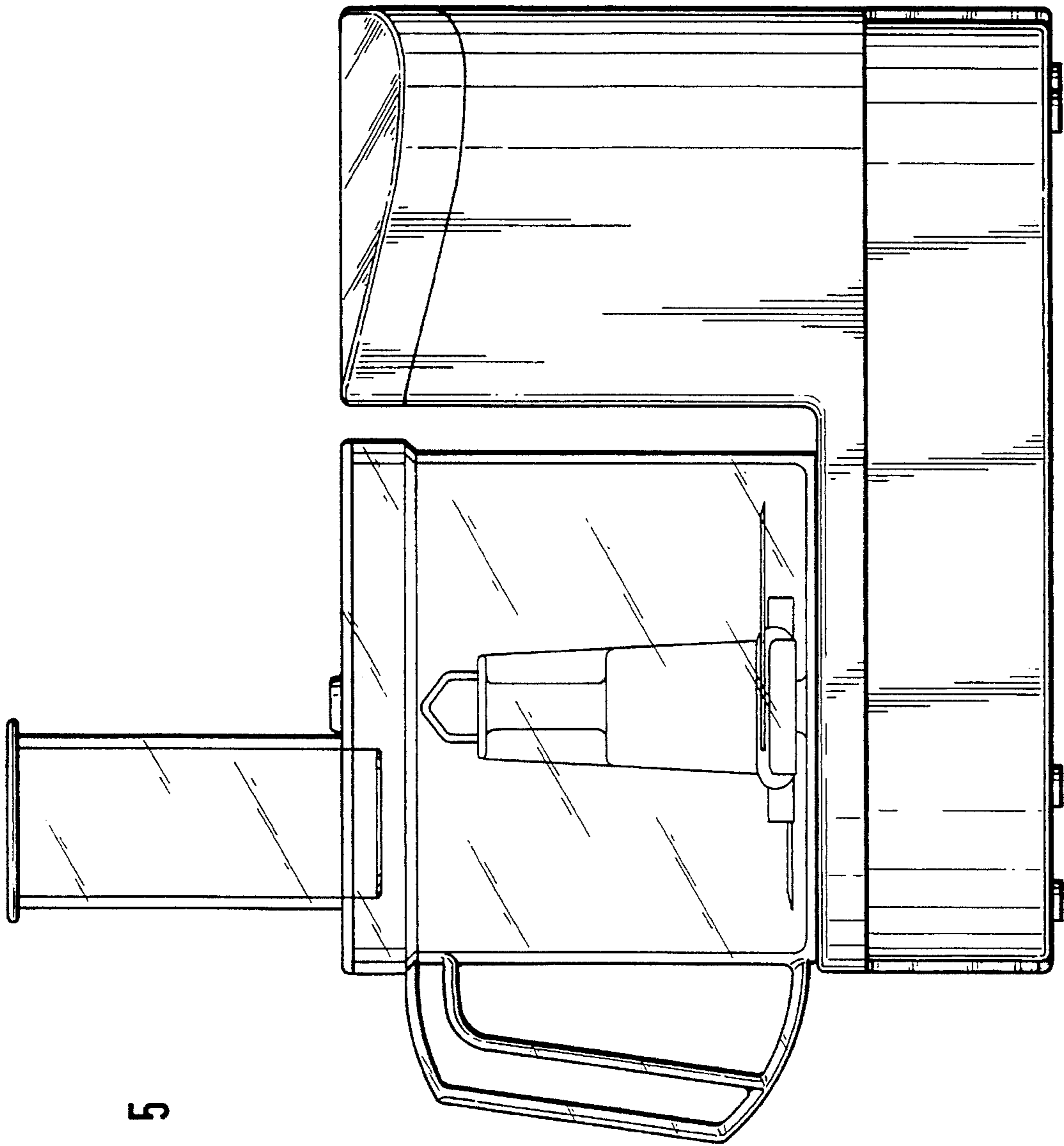


Fig. 5

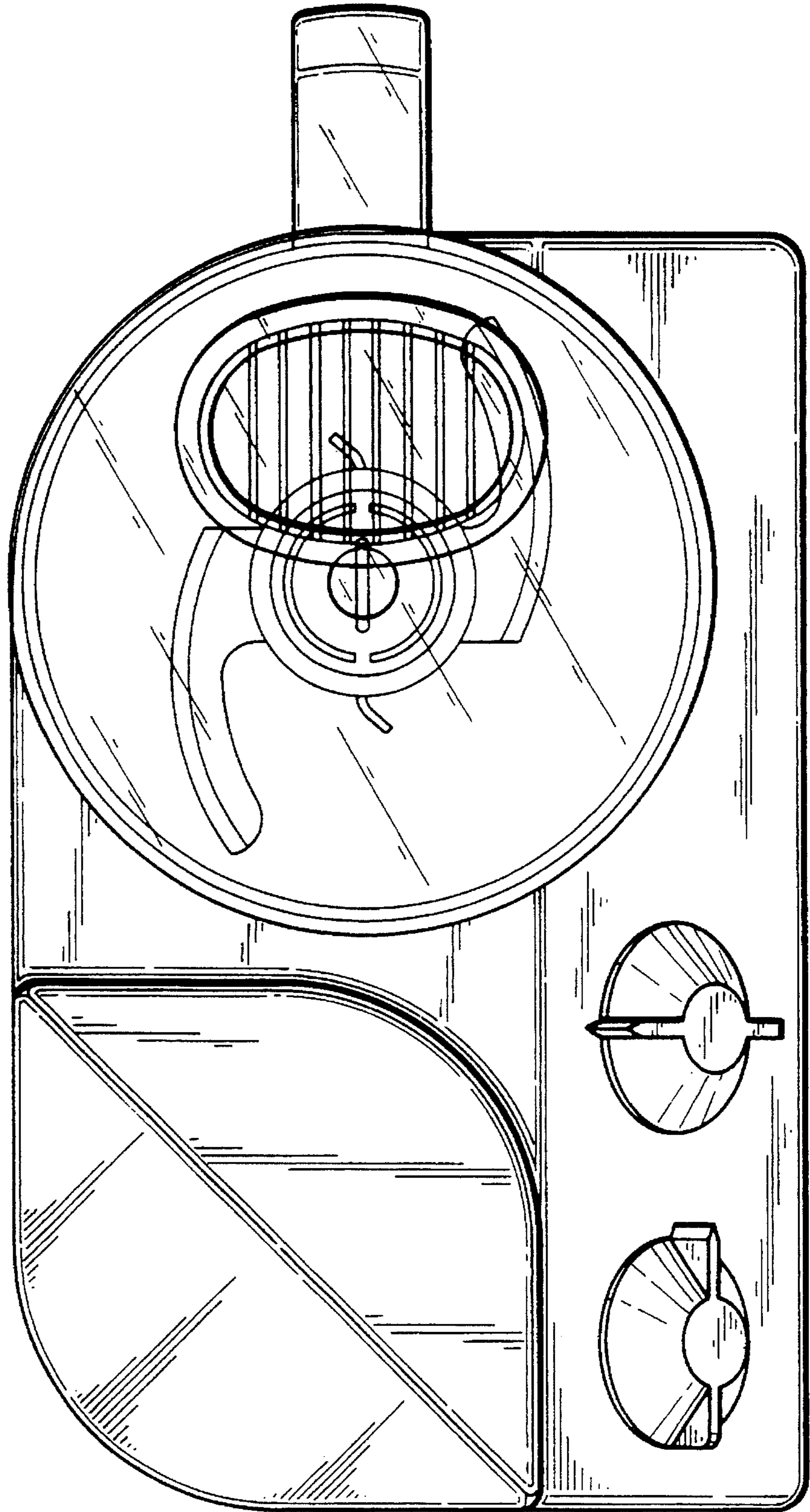


Fig. 6

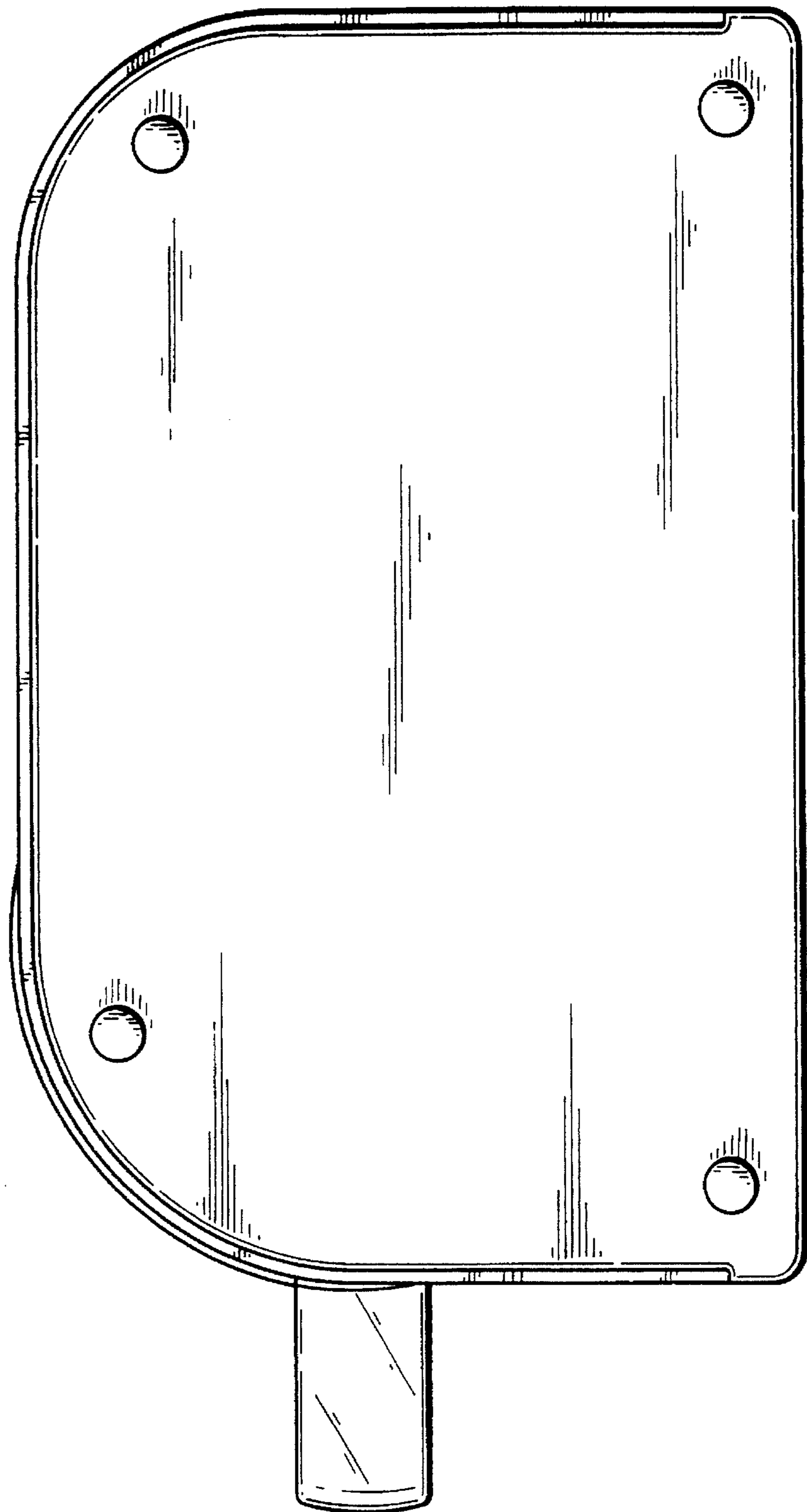


Fig. 7