



US00D367581S

# United States Patent [19]

[11] Patent Number: **Des. 367,581**

Wells

[45] Date of Patent: **\*\*Mar. 5, 1996**

[54] **COMBINED WARMING AND DISPLAY OVEN AND CONDIMENT SIDE COUNTER**

[75] Inventor: **Cindie M. Wells, Cambridge, Wis.**

[73] Assignee: **Oscar Mayer Foods Corporation, Madison, Wis.**

[\*\*] Term: **14 Years**

[21] Appl. No.: **27,676**

[22] Filed: **Aug. 26, 1994**

### Related U.S. Application Data

[62] Division of Ser. No. 50,689, Apr. 20, 1993, which is a division of Ser. No. 691,255, Apr. 25, 1991, Pat. No. 5,203,255.

[52] U.S. Cl. .... **D7/350**

[58] Field of Search ..... D7/323, 338, 339, D7/347-348, 350; 126/21 A; 99/468, 483, 467, 471, 476; 165/198; 219/214, 400, 402; 312/236; D6/470, 471

### References Cited

#### U.S. PATENT DOCUMENTS

|            |         |                  |        |
|------------|---------|------------------|--------|
| 42,461     | 5/1912  | Harden, Jr. .... | D6/470 |
| 89,814     | 5/1933  | Yount .....      | D6/470 |
| D. 155,577 | 10/1949 | Bushway .        |        |
| D. 185,251 | 5/1959  | Wilson .         |        |
| D. 207,564 | 5/1967  | Hartford .       |        |
| D. 216,926 | 3/1970  | Schindler .      |        |
| D. 218,920 | 10/1970 | Diamond .        |        |
| D. 219,852 | 2/1971  | Duncan et al. .  |        |
| D. 238,471 | 1/1976  | Roderick .       |        |
| D. 238,897 | 2/1976  | Wilson .         |        |
| D. 239,685 | 4/1976  | Peterson .....   | D6/470 |
| D. 245,958 | 10/1977 | Roderick .       |        |
| D. 282,424 | 2/1986  | Brittner .....   | D6/470 |

|            |         |                        |         |
|------------|---------|------------------------|---------|
| D. 297,439 | 8/1988  | Rabig .                |         |
| D. 324,119 | 2/1992  | McKalsen, Jr. ....     | D34/7   |
| D. 327,591 | 7/1992  | Gogan .....            | D6/470  |
| D. 341,055 | 11/1993 | Wells .....            | D7/350  |
| D. 341,288 | 11/1993 | Fielding et al. ....   | D7/348  |
| D. 351,956 | 11/1994 | Kozak .....            | D6/470  |
| 731,710    | 6/1903  | Renken .               |         |
| 1,706,240  | 3/1929  | Liley .                |         |
| 4,531,646  | 7/1985  | Howard .               |         |
| 4,566,211  | 1/1986  | Gustafson et al. .     |         |
| 4,781,109  | 11/1988 | Wiebe, Jr. et al. .... | 99/467  |
| 4,799,744  | 1/1989  | Toy .....              | 312/229 |
| 4,840,439  | 6/1989  | Nara et al. ....       | 312/116 |
| 5,203,255  | 4/1993  | Wells et al. ....      | 99/468  |
| 5,361,686  | 11/1994 | Koopman .....          | 99/476  |
| 5,375,511  | 12/1994 | Huie et al. ....       | 99/483  |

### OTHER PUBLICATIONS

Hatco FLAV-R-SAVOR Holding and Display Cabinets Sep. 20, 1991.

*Primary Examiner*—Ruth McInroy  
*Attorney, Agent, or Firm*—Lockwood, Alex, Fitzgibbon & Cummings

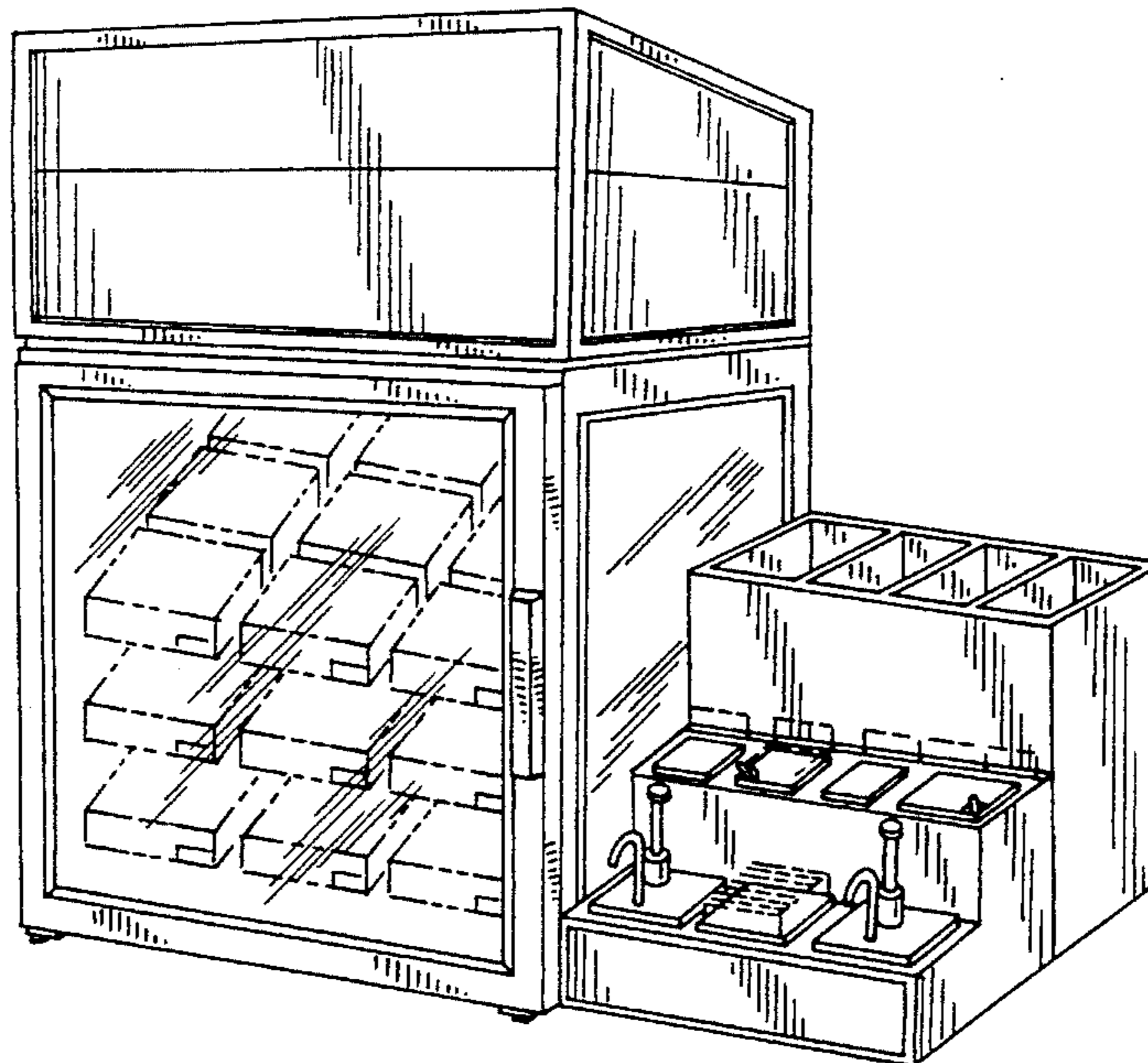
### CLAIM

[57] The ornamental design for a combined warming and display oven and condiment side counter, as shown and described.

### DESCRIPTION

FIG. 1 is a front perspective view of a combined warming and display oven and condiment side counter showing my new design;  
FIG. 2 is a front elevational view thereof;  
FIG. 3 is a rear elevational view thereof;  
FIG. 4 is a left side elevational view thereof;  
FIG. 5 is a right side elevational view thereof; and,  
FIG. 6 is a top plan view thereof.

**1 Claim, 3 Drawing Sheets**



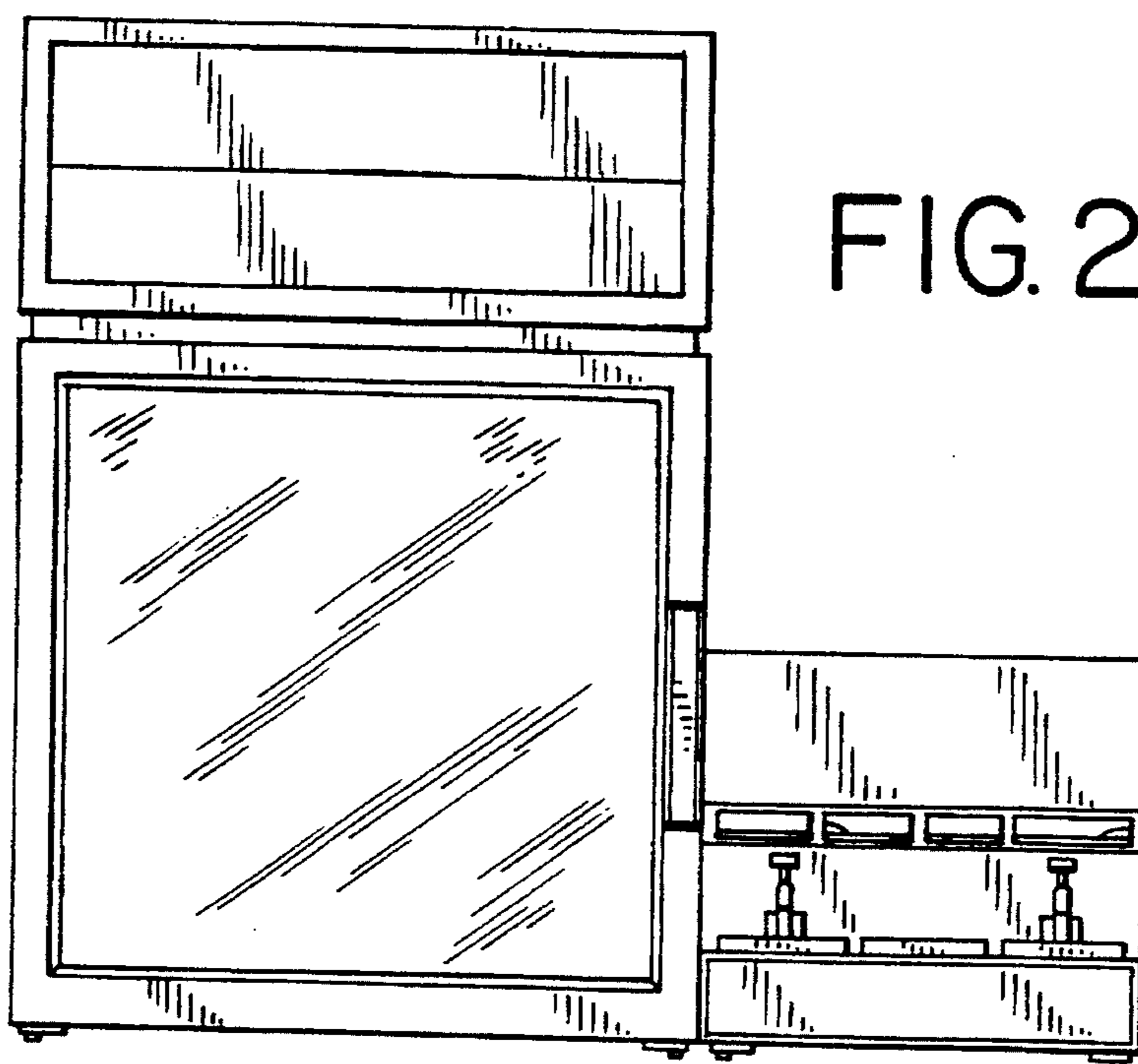
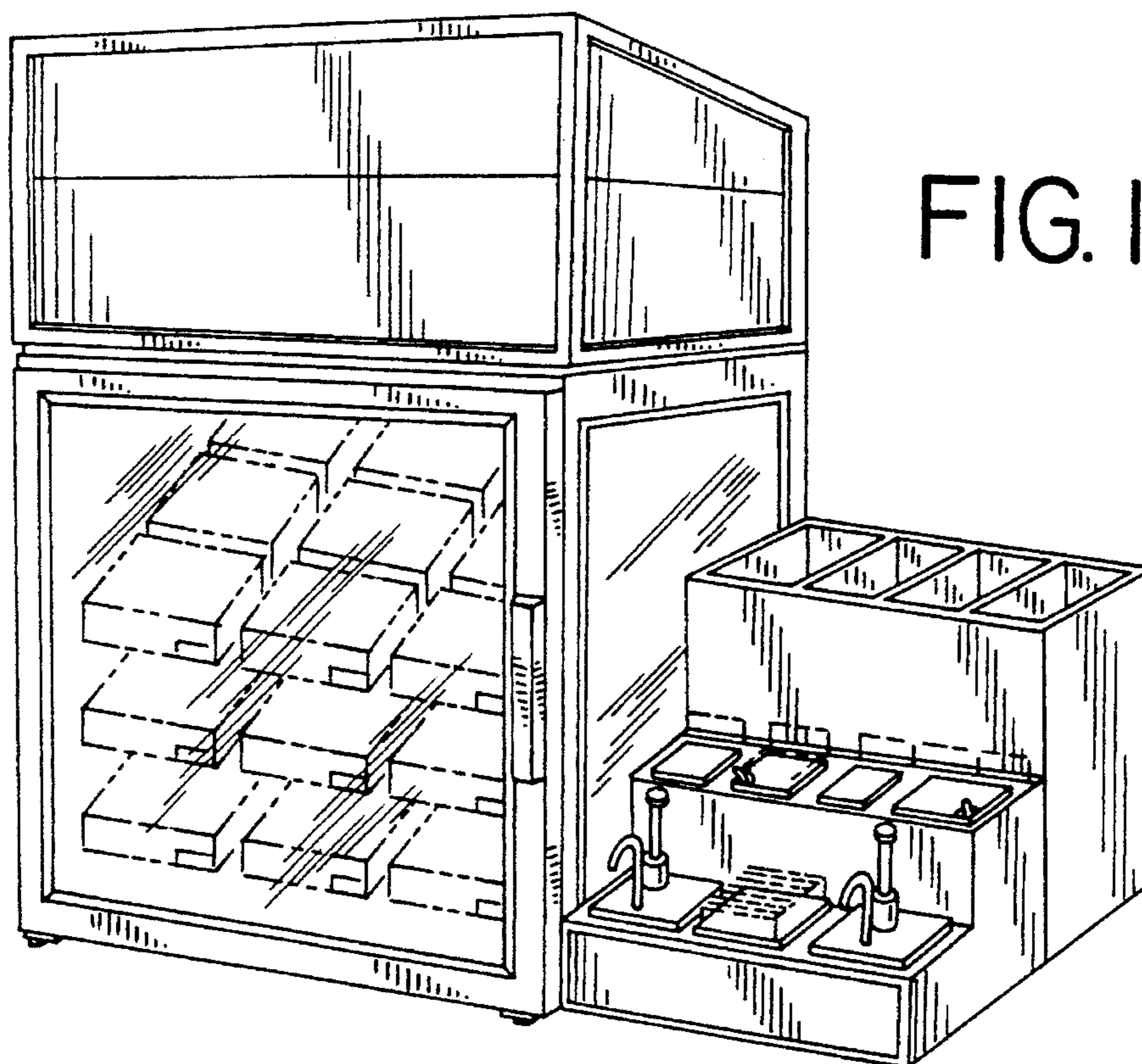


FIG. 3

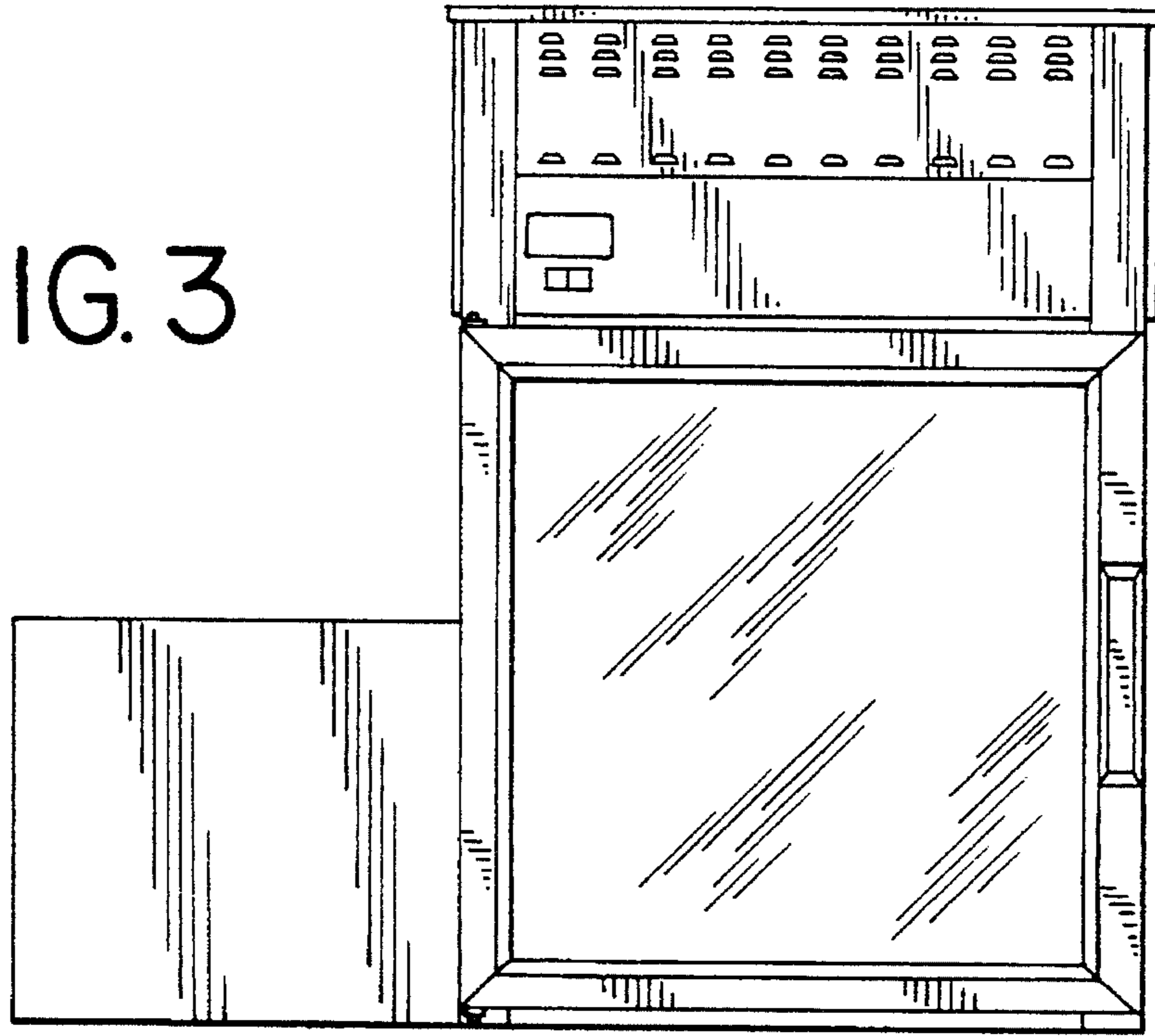
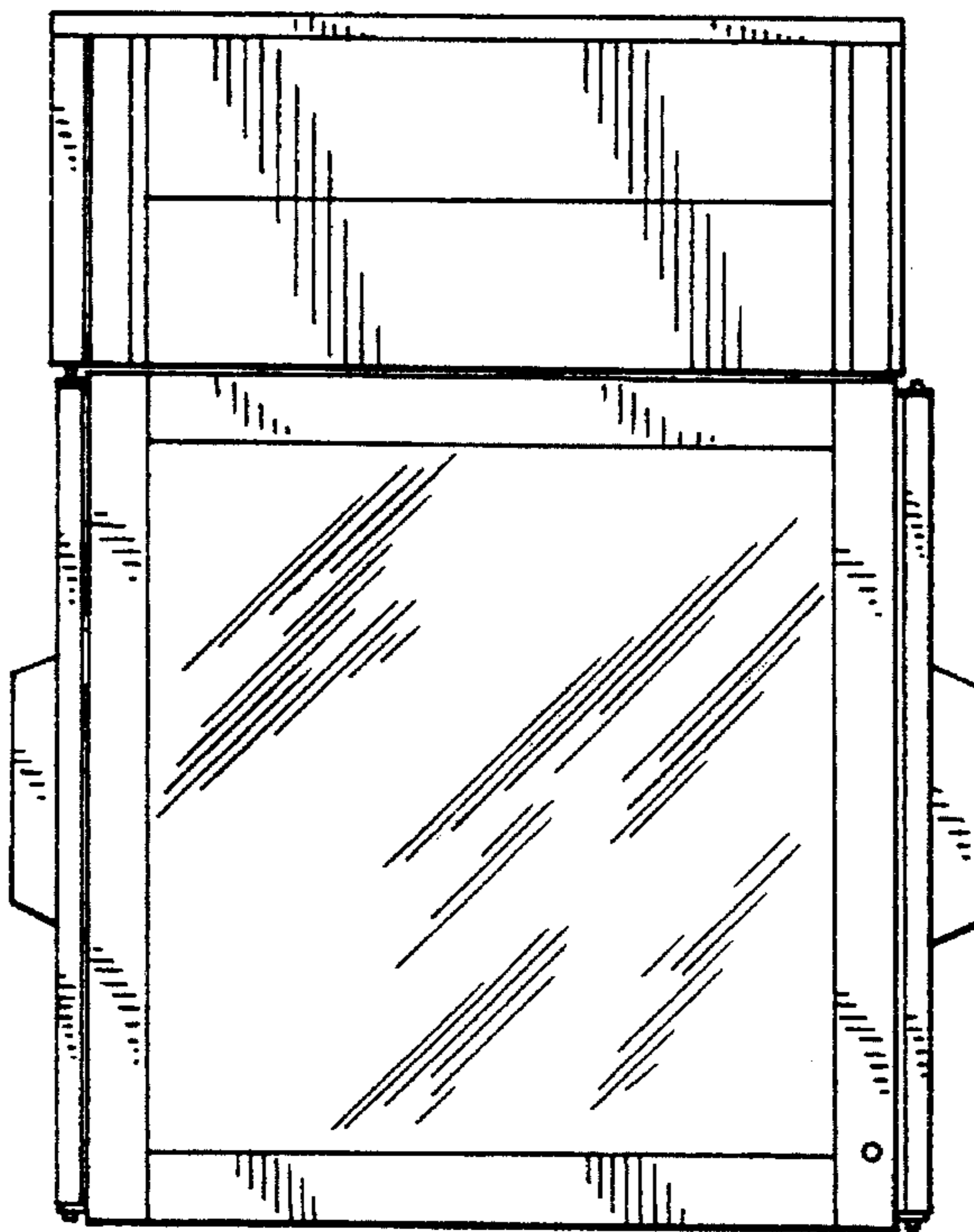
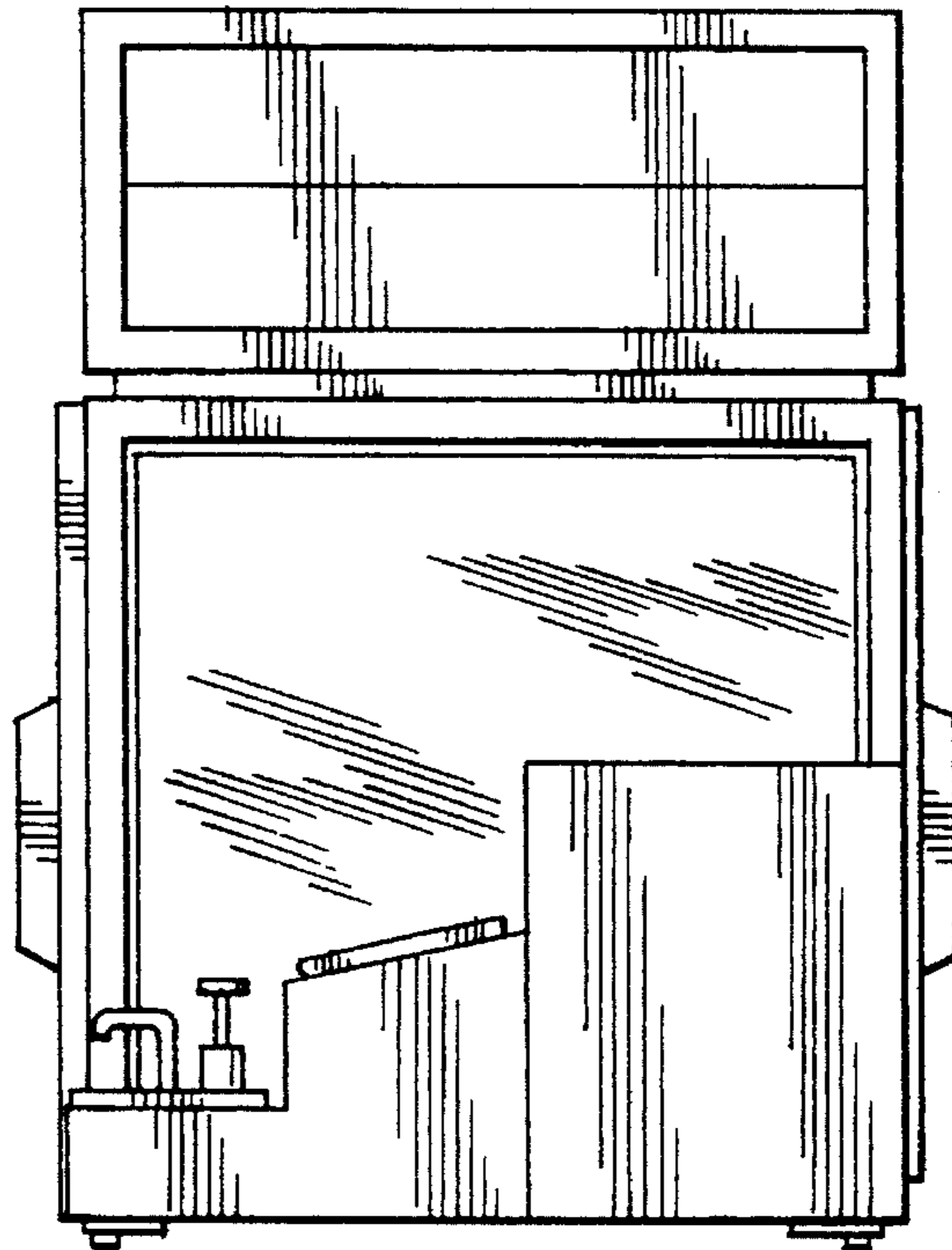


FIG. 4



# FIG.5



# FIG.6

