



US00D367580S

United States Patent [19] Joergensen

[11] Patent Number: **Des. 367,580**

[45] Date of Patent: ****Mar. 5, 1996**

[54] **ELECTRICAL JUG**

[75] Inventor: **Carsten Joergensen**, Kriens, Switzerland

[73] Assignee: **PI-Design AG**, Triengen, Switzerland

[**] Term: **14 Years**

[21] Appl. No.: **12,475**

[22] Filed: **Sep. 3, 1993**

[30] **Foreign Application Priority Data**

Mar. 3, 1993 [DK] Denmark 233/93

[52] U.S. Cl. **D7/318; D7/317**

[58] Field of Search D7/300, 302, 303, D7/312, 316, 317, 318, 319, 320, 321, 322, 598, 600, 608, 622, 507; 222/465.1, 466, 475.1

[56] **References Cited**

U.S. PATENT DOCUMENTS

D. 115,411	6/1939	Lacy	D7/300
D. 285,160	8/1986	Osit	D7/317
D. 287,807	1/1987	Wilson	D7/319 X
D. 302,093	7/1989	Palsby	D7/319 X
D. 307,857	5/1990	Grome et al.	D7/321 X
D. 312,552	12/1990	Carlson	D7/321
D. 313,555	1/1991	Jordi	D7/316 X
D. 335,238	5/1993	Correa et al.	D7/318 X

D. 335,239	5/1993	Crunden et al.	D7/316 X
4,040,549	8/1977	Sadler	D7/507 X
4,967,939	11/1990	Taylor	222/465.1 X

OTHER PUBLICATIONS

Kettle by Gwyn, Design 415 p. 4 Jul. 1983.
Cordless Kettle Design 473 p. 45 May 1988.

Primary Examiner—M. N. Pandozzi
Attorney, Agent, or Firm—J. W. Gipple; Gipple & Hale

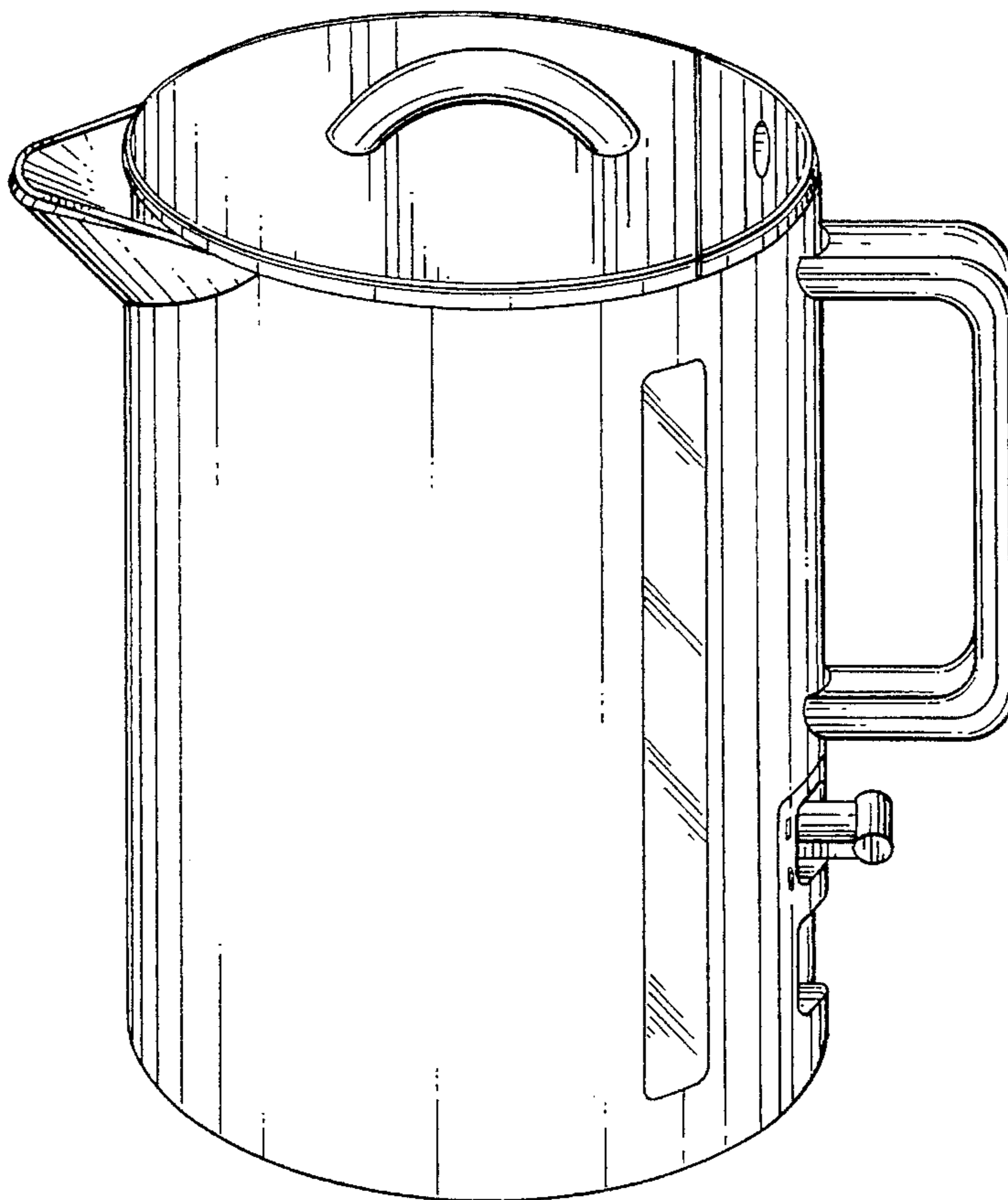
[57] **CLAIM**

The ornamental design for a electrical jug, as shown and described.

DESCRIPTION

FIG. 1 is a left side view of the electrical jug showing my new design;
 FIG. 2 is a back view of the electrical jug shown in FIG. 1;
 FIG. 3 is a front view of the electrical jug showing my new design;
 FIG. 4 is a right elevation view of the electrical jug showing my new design;
 FIG. 5 is a top view of the electrical jug showing my new design;
 FIG. 6 is a bottom view of the electrical jug showing my new design; and,
 FIG. 7 is a perspective view taken from the left side and top of the electrical jug showing my new design.

1 Claim, 7 Drawing Sheets



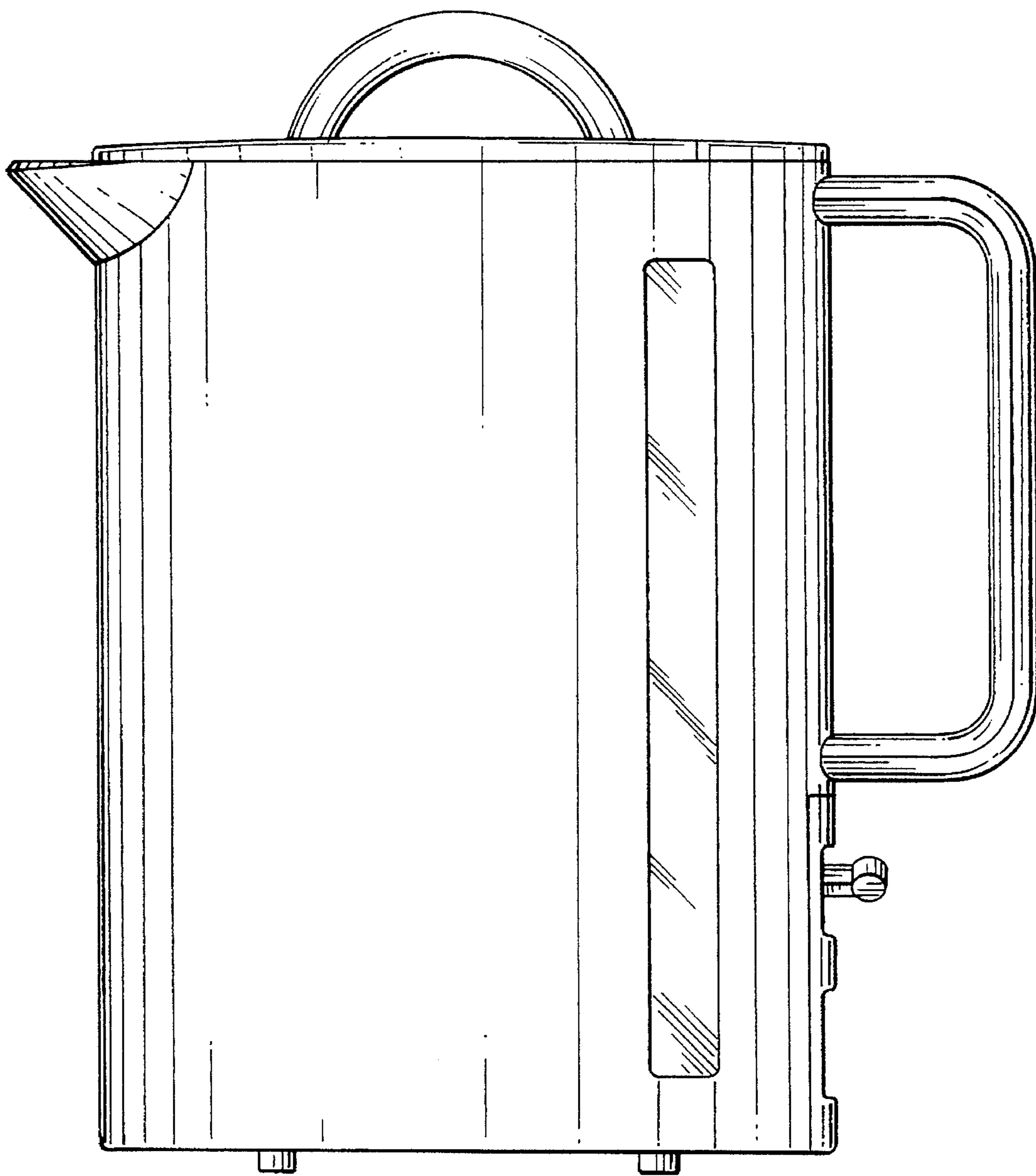


Fig. 1

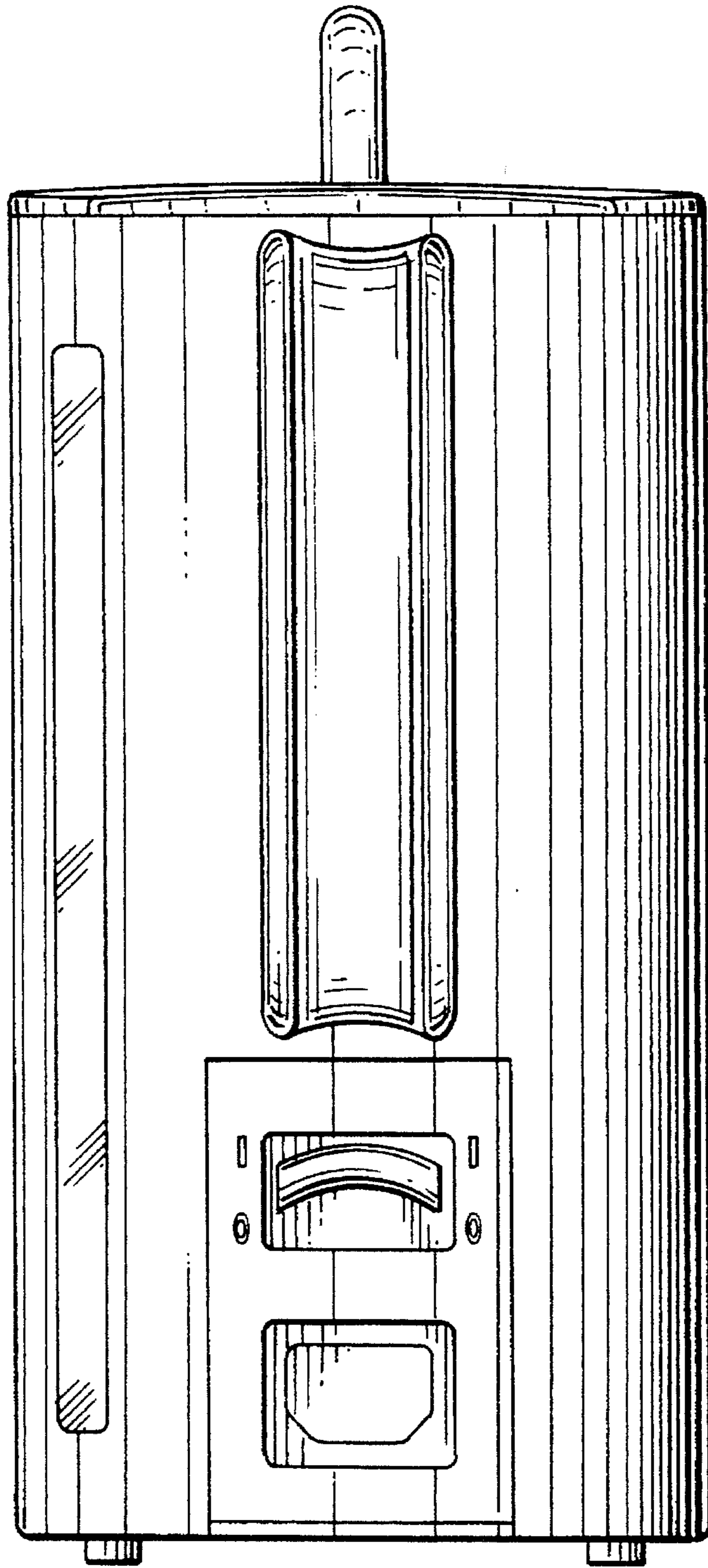


Fig. 2

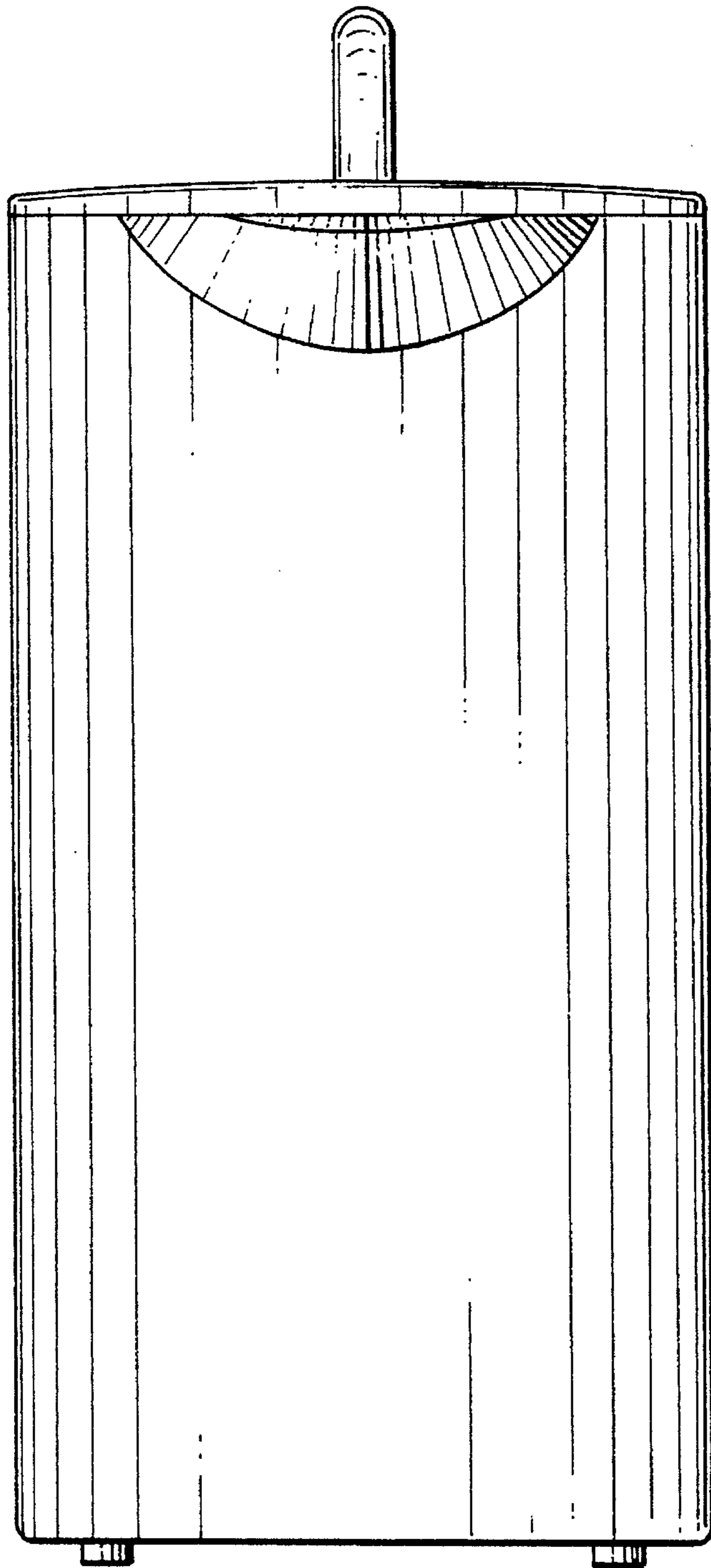


Fig. 3

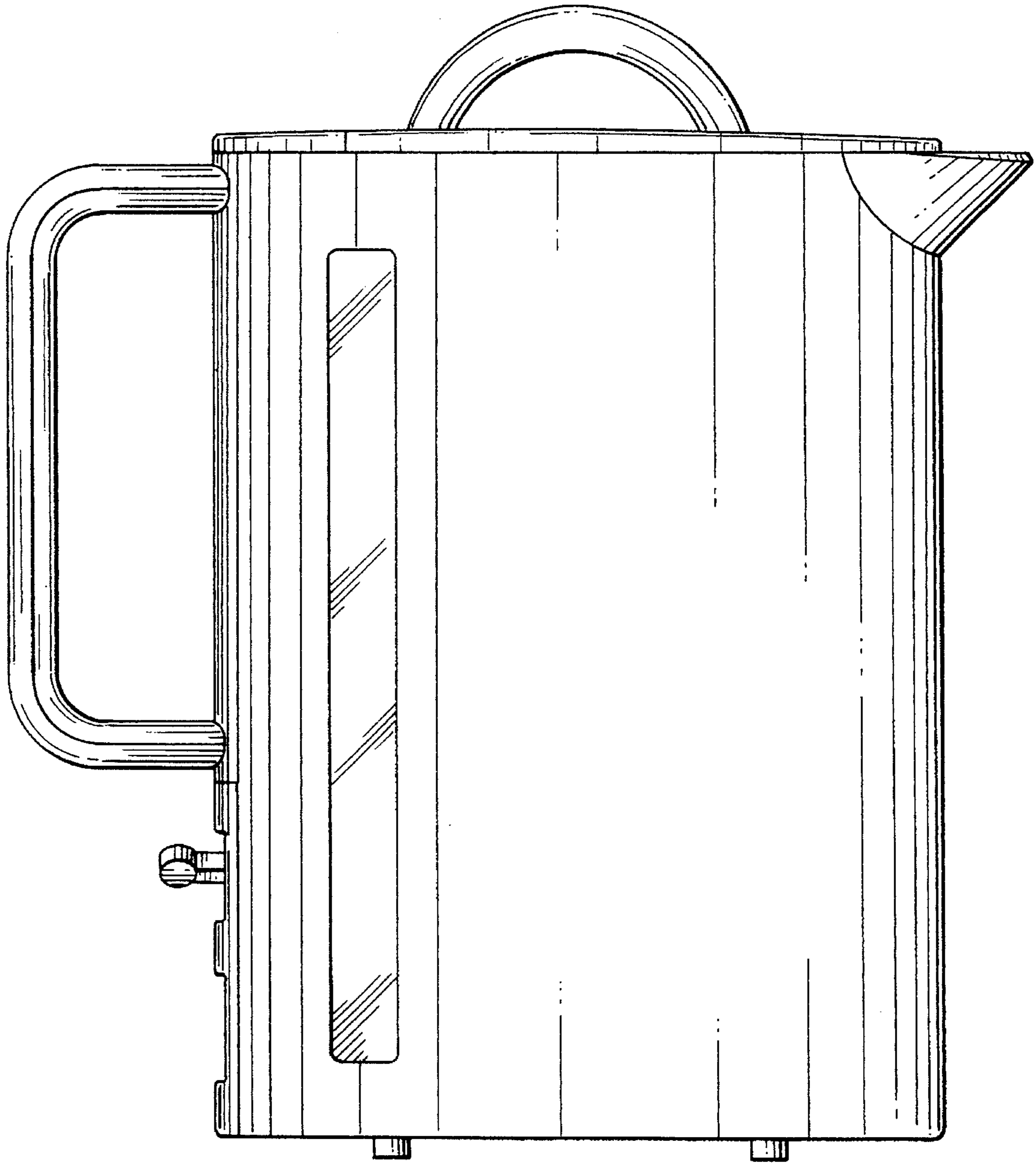


Fig. 4

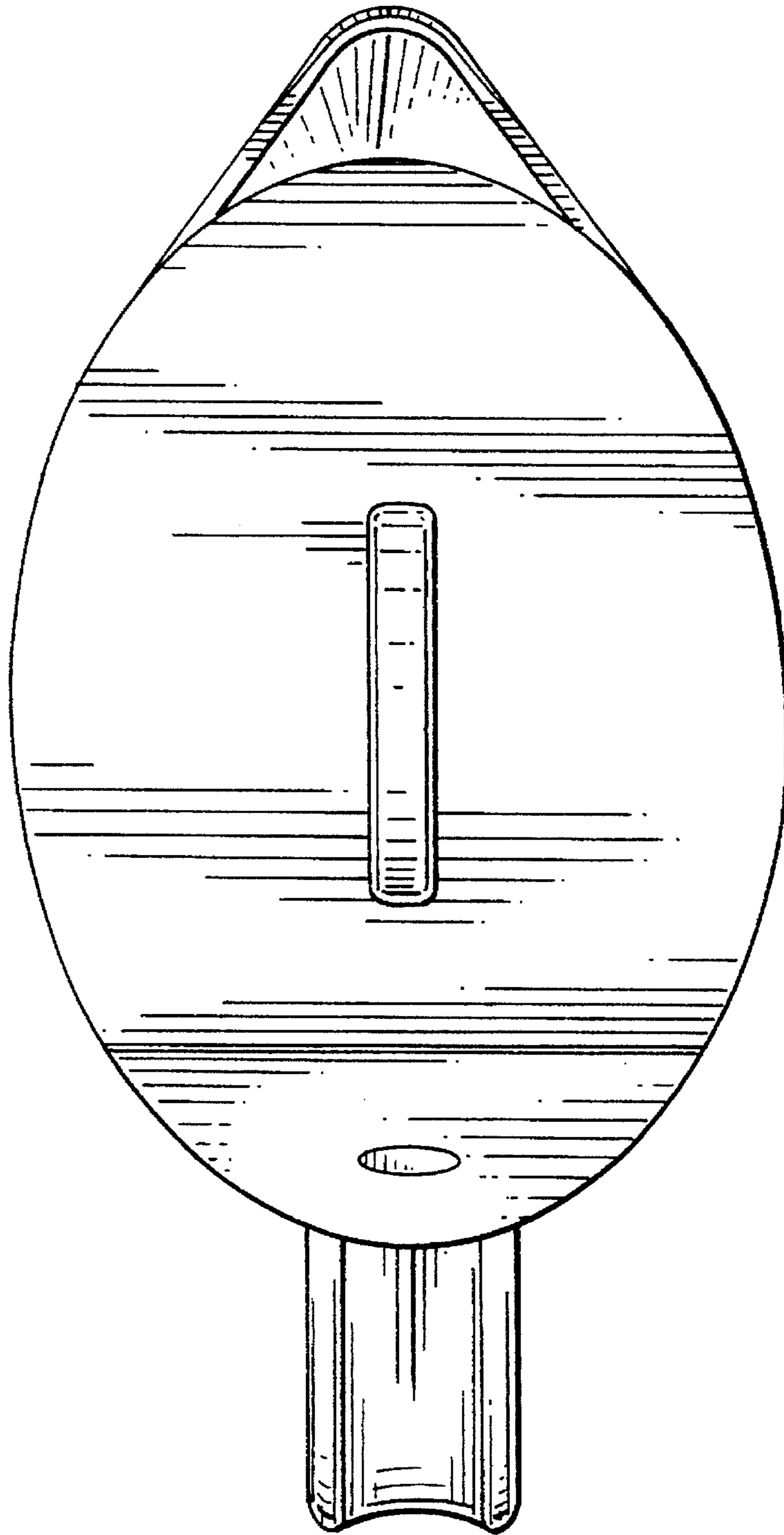


Fig. 5

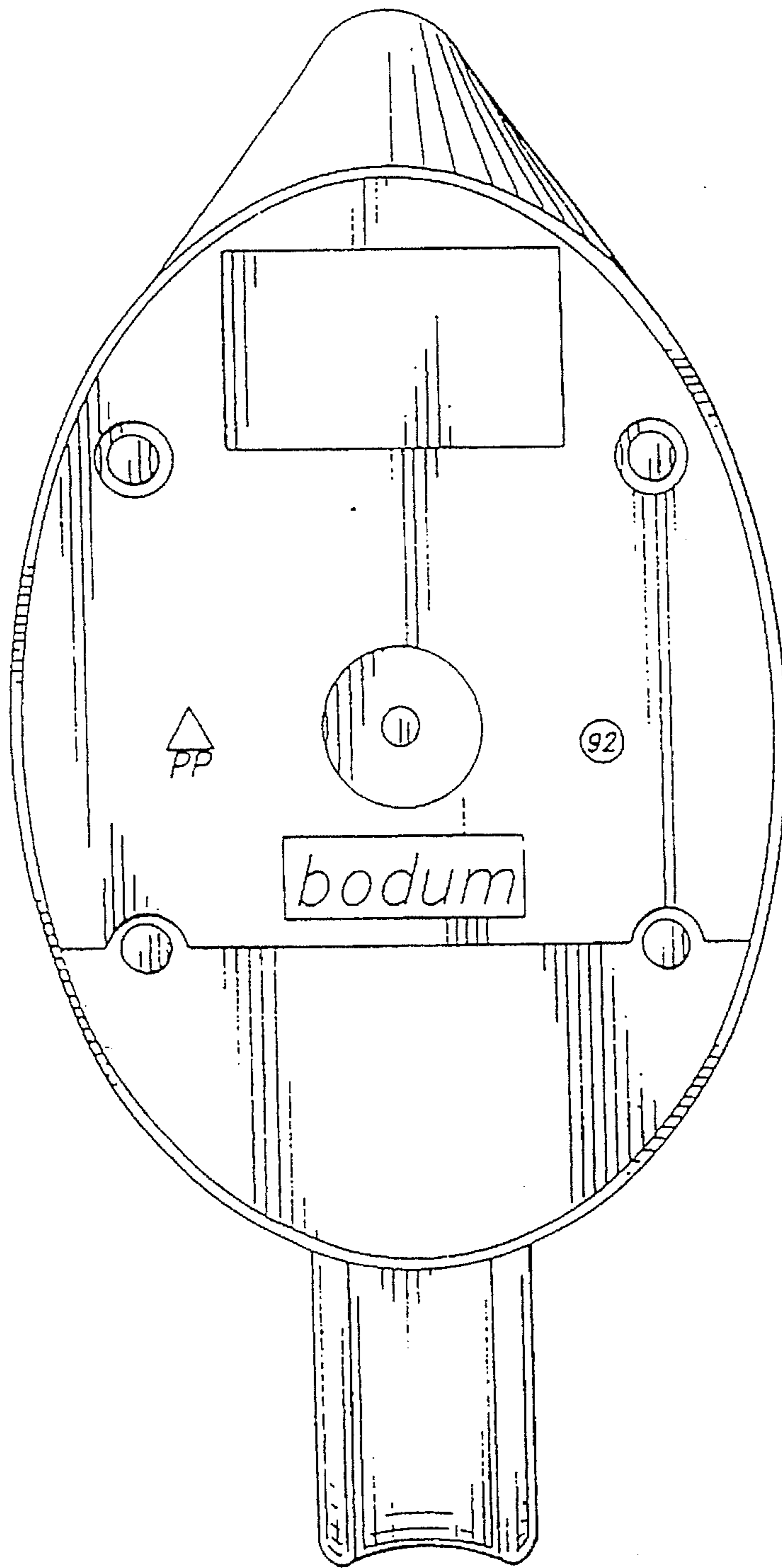


Fig. 6

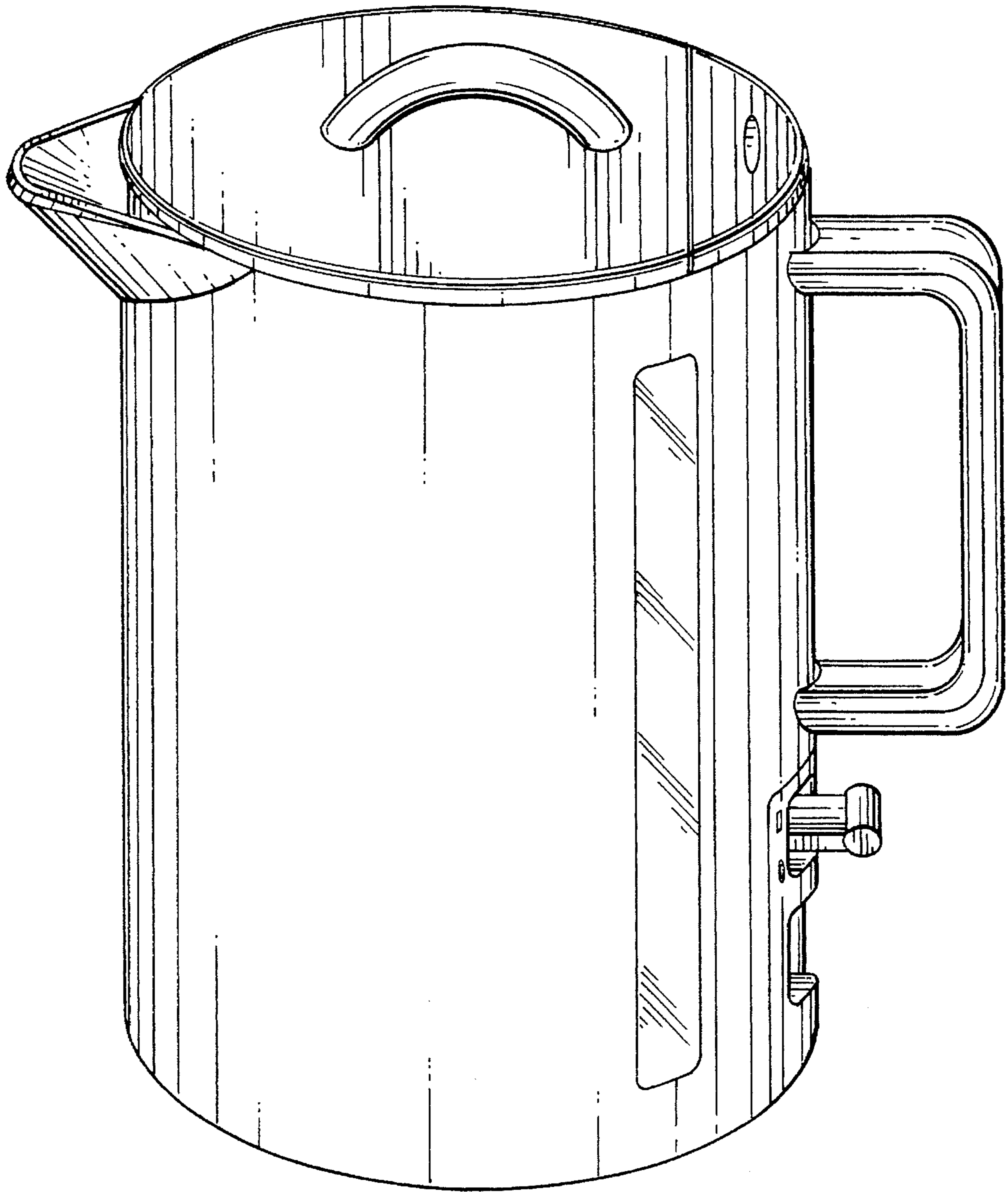


Fig. 7