



US00D367579S

United States Patent [19]

Nilson

[11] Patent Number: **Des. 367,579**

[45] Date of Patent: ****Mar. 5, 1996**

[54] **CASE FOR A REMOVABLE DISK DRIVE CARTRIDGE**

[75] Inventor: **Jay B. Nilson**, San Jose, Calif.

[73] Assignee: **Syquest Technology, Inc.**, Fremont, Calif.

[**] Term: **14 Years**

[21] Appl. No.: **7,897**

[22] Filed: **Apr. 29, 1993**

[52] U.S. Cl. **D6/632; D6/634**

[58] Field of Search D3/201, 206; D6/407, D6/408, 626, 627, 628, 629, 630, 631, 632, 634, 635, 408; D19/75, 76; 206/45.13, 444, 445, 450, 473, 485, 486, 1.8, 309-312; 211/184, 59.4

4,635,792 1/1987 Yamada et al. .
 4,635,797 1/1987 Bankier .
 4,641,750 2/1987 Johnson et al. .
 4,718,550 1/1988 Johnson .
 4,724,957 2/1988 Burgschweiger .
 4,778,051 10/1988 Schaub et al. .
 4,784,264 11/1988 Sykes .
 4,819,799 4/1989 Nomula et al. .
 4,869,364 9/1989 Bray .
 4,903,829 2/1990 Clemens .
 4,966,283 10/1990 Sykes et al. .
 5,090,078 2/1992 Kamakura et al. .
 5,145,068 9/1992 Schmitz et al. .

Primary Examiner—Celia Murphy
Attorney, Agent, or Firm—Lyon & Lyon

[57] CLAIM

The ornamental design for a case for a removable disk drive cartridge, as shown and described.

[56] References Cited

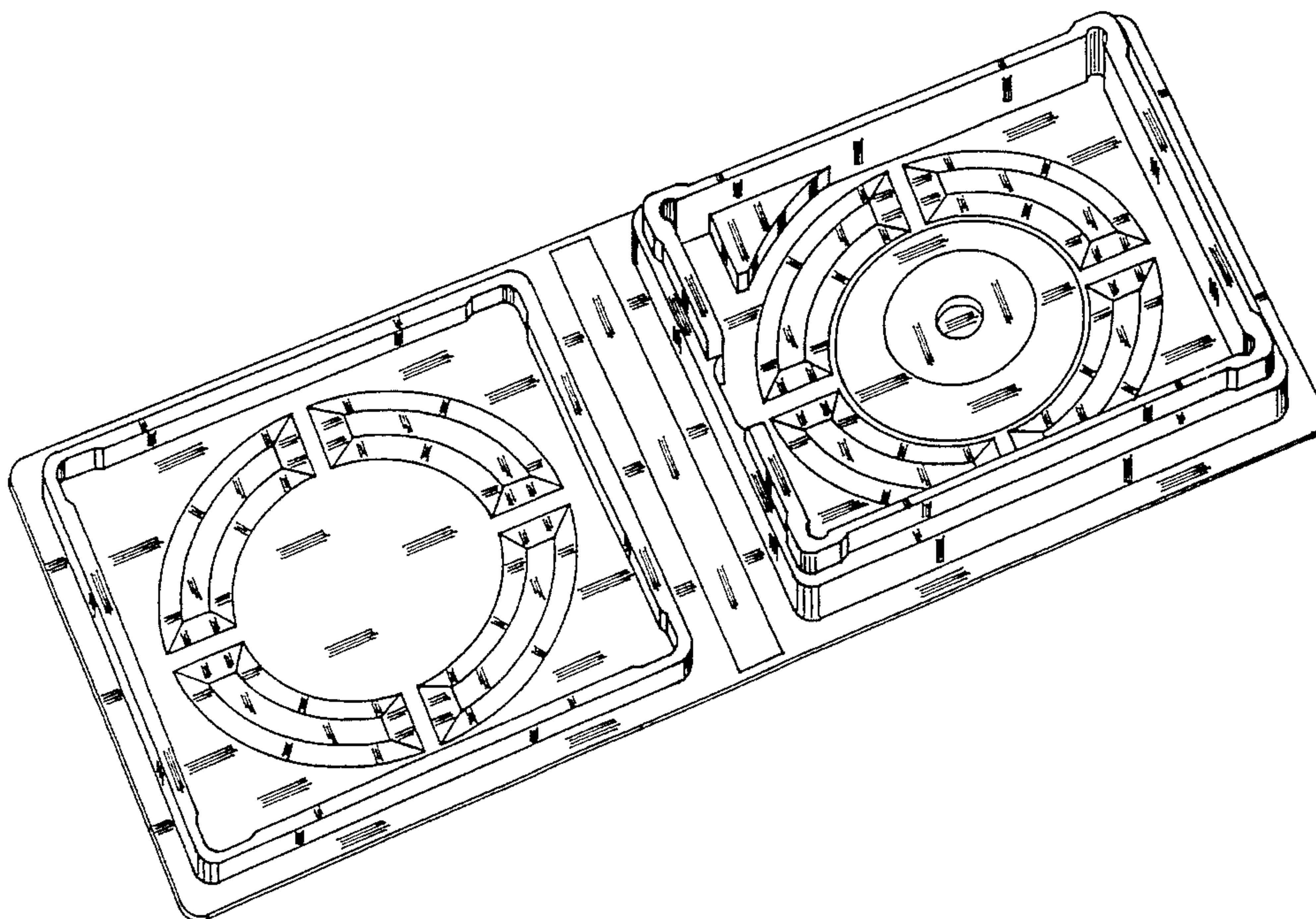
U.S. PATENT DOCUMENTS

D. 187,720	4/1960	Ketcham	D6/634
D. 233,374	10/1974	Heeren	D6/634
D. 260,122	8/1981	Turner	D6/634
D. 285,503	9/1986	Weiner	D6/634
D. 304,880	12/1989	Philosophe	D6/634
D. 318,368	7/1991	Evans	D6/634
D. 324,300	3/1992	Yasuhara et al.	D6/634
D. 335,215	5/1993	Stumpff	D6/634
D. 347,727	6/1994	Du Corday	D6/634
1,137,125	4/1915	Fuller	.	
3,949,872	4/1976	Paudras	.	
3,980,178	9/1976	Schidlowski	.	
4,084,690	4/1978	Pulse	.	
4,199,061	4/1980	Harkleroad et al.	.	
4,327,831	5/1982	Inaba	.	
4,407,410	10/1983	Graetz et al.	.	
4,511,034	4/1985	Pan	206/310

DESCRIPTION

FIG. 1 is a perspective view of a case for a removable disk drive cartridge showing my new design; FIG. 2 is an inside perspective view thereof; FIG. 3 is a top plan view of FIG. 1; FIG. 4 is a bottom plan view of FIG. 1; FIG. 5 is a front elevational view of FIG. 1; FIG. 6 is a right side elevational view thereof; FIG. 7 is a left side elevational view thereof; FIG. 8 is a rear elevational view thereof; FIG. 9 is an inside elevational view of FIG. 2; FIG. 10 is a right side elevational view of FIG. 2; FIG. 11 is a left side elevational view of FIG. 9; FIG. 12 is a top plan view of FIG. 9; FIG. 13 is a bottom plan view of FIG. 9; and, FIG. 14 is an outside elevational view of FIG. 9.

1 Claim, 7 Drawing Sheets



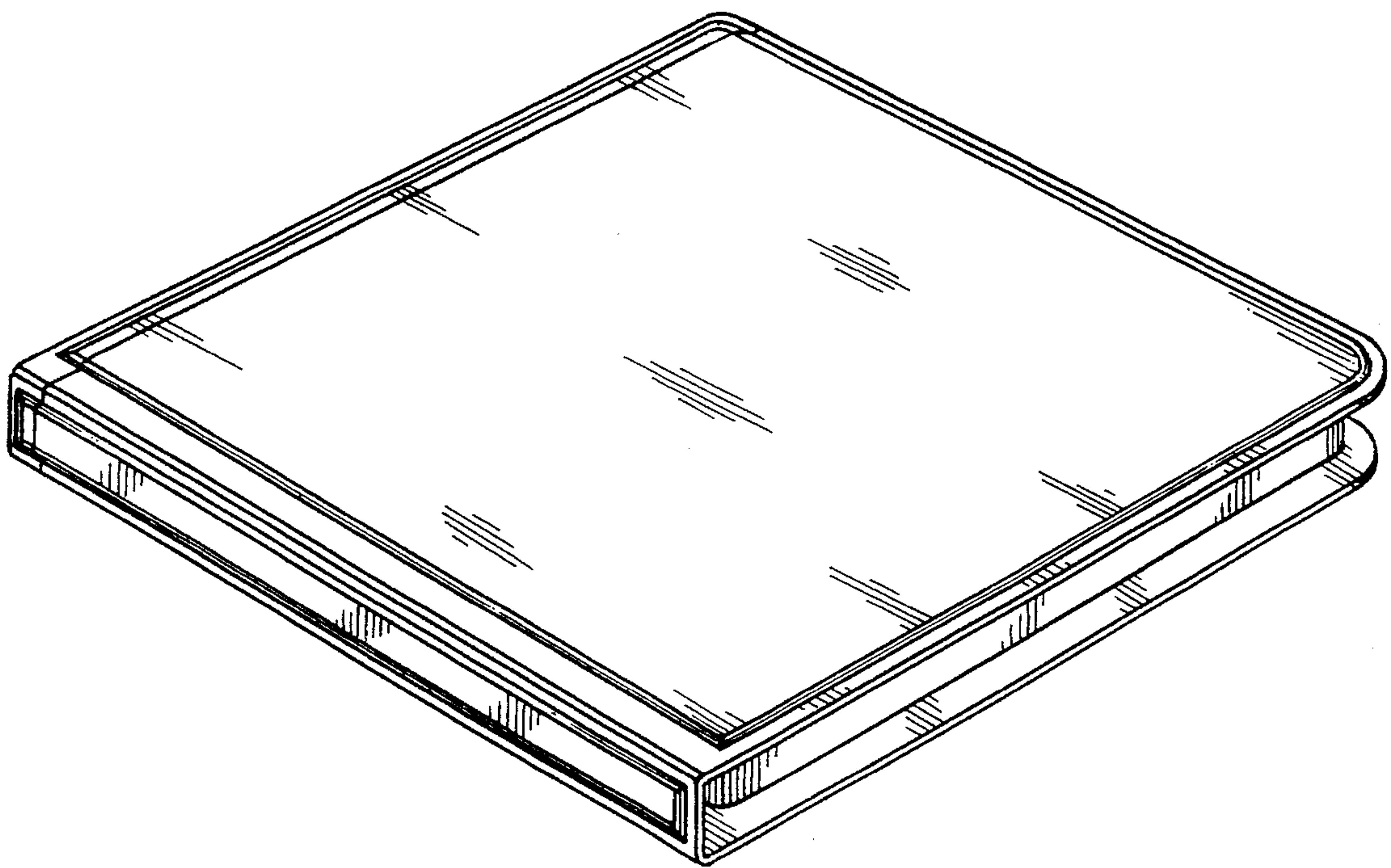


FIG.—1

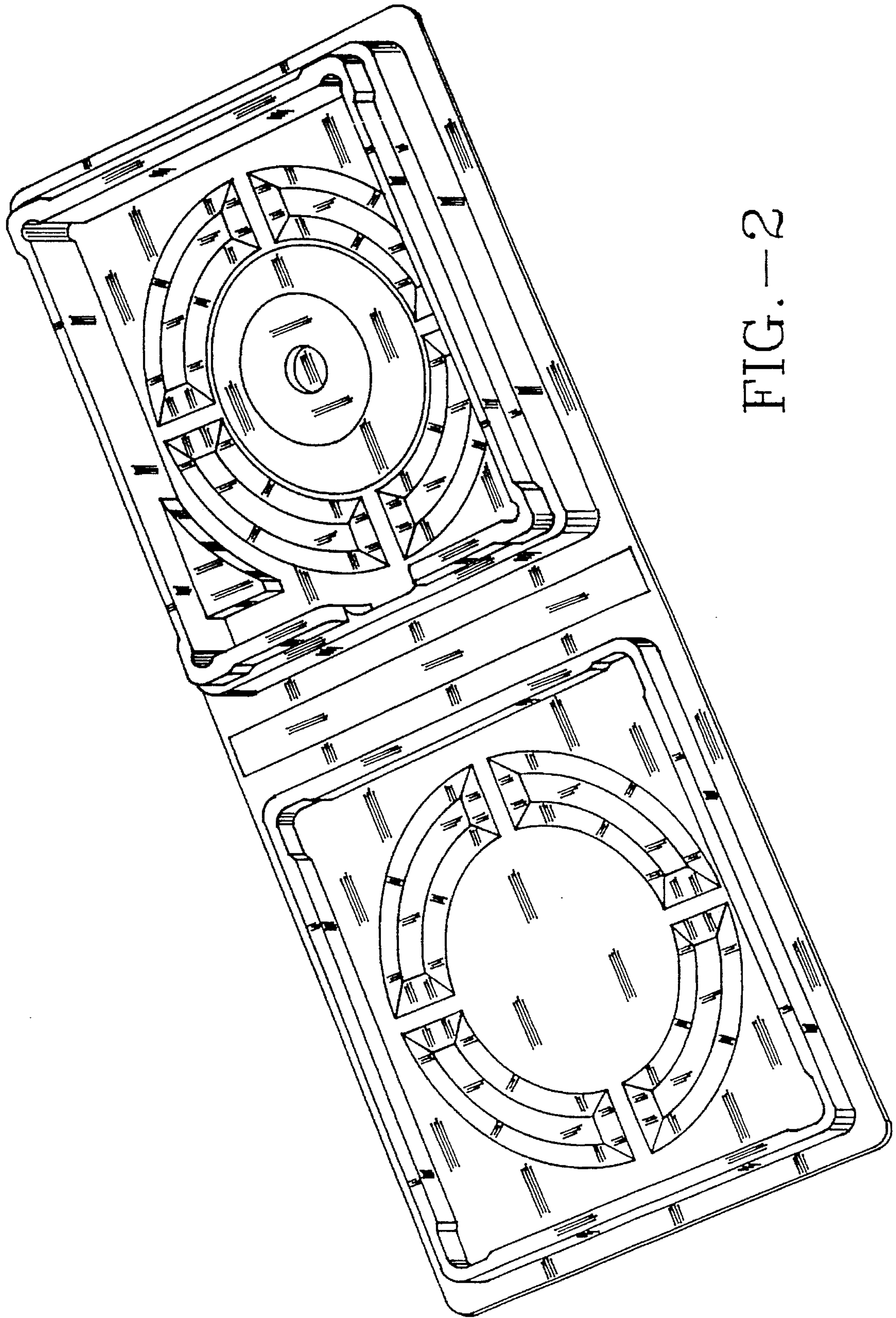


FIG. - 2

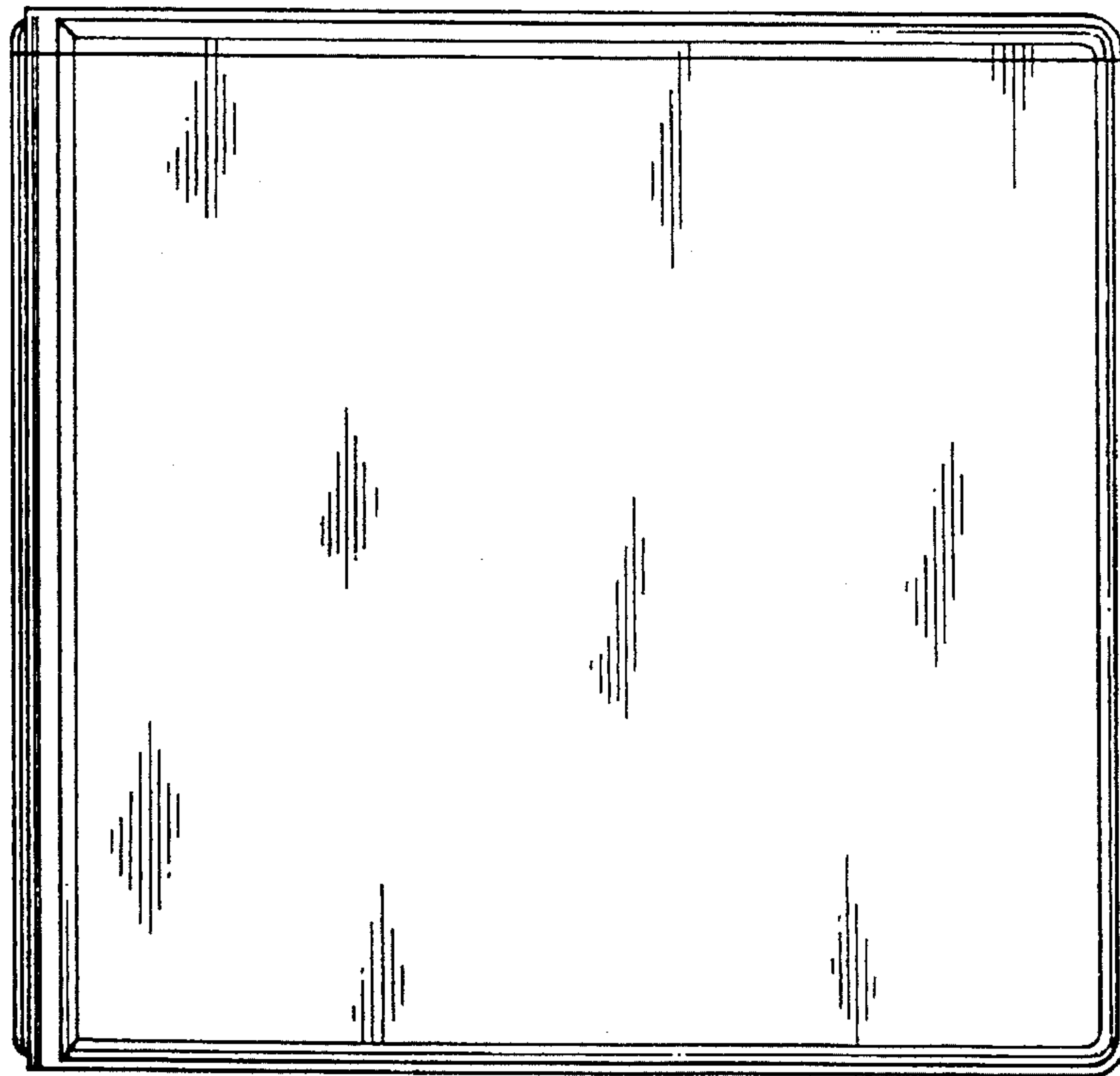


FIG. - 3

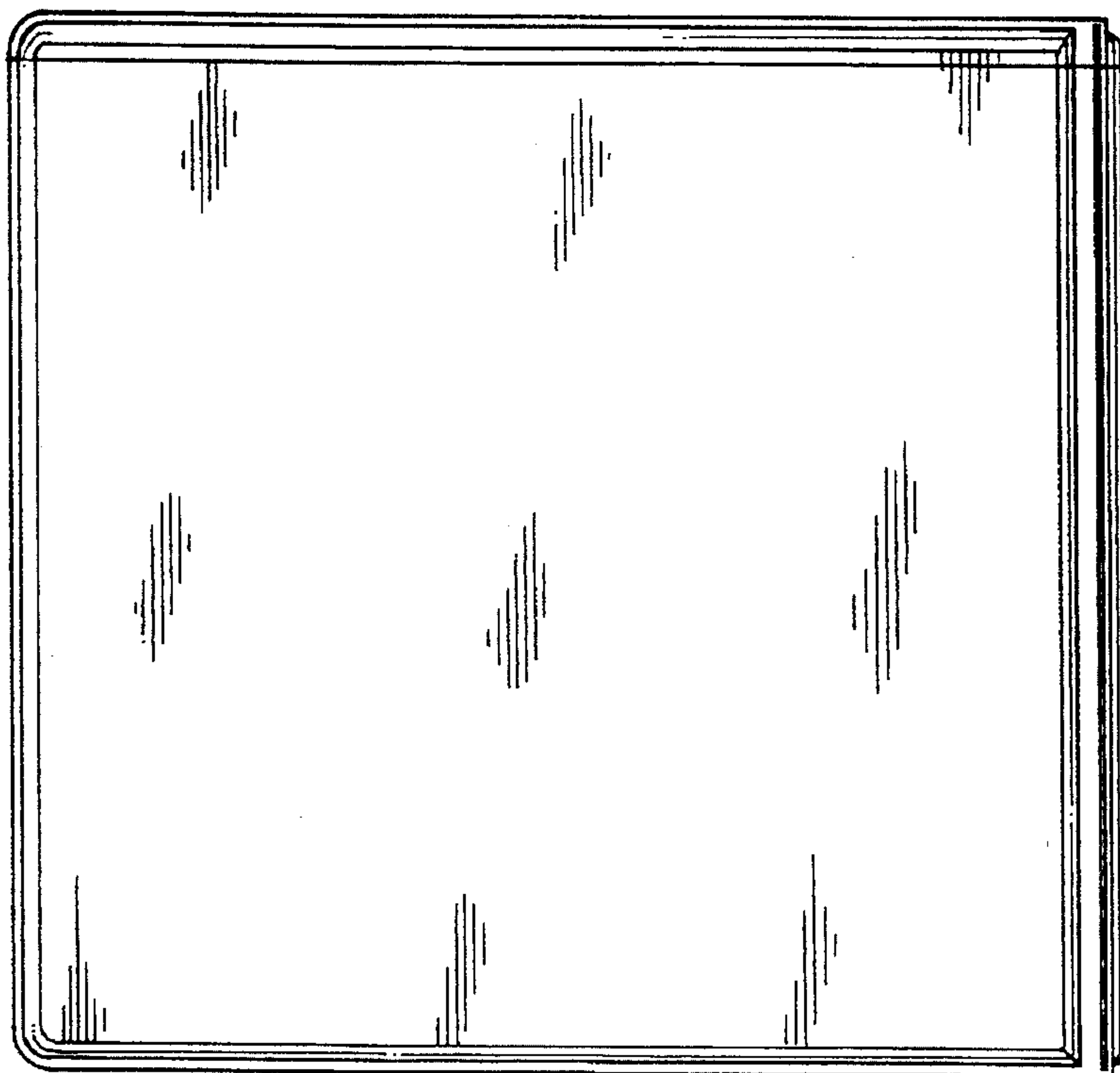


FIG. - 4

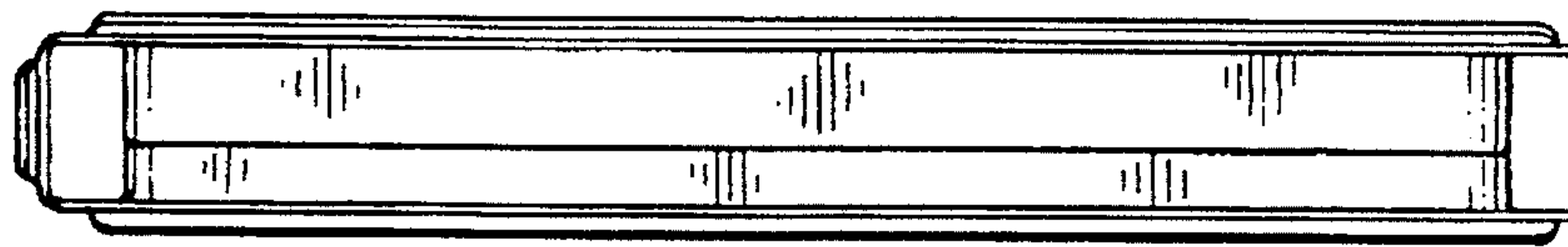


FIG. -5



FIG. -6



FIG. -7

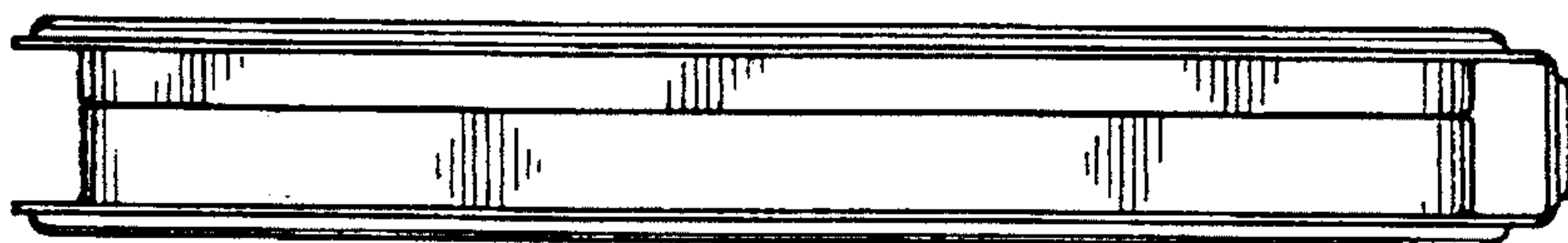


FIG. -8

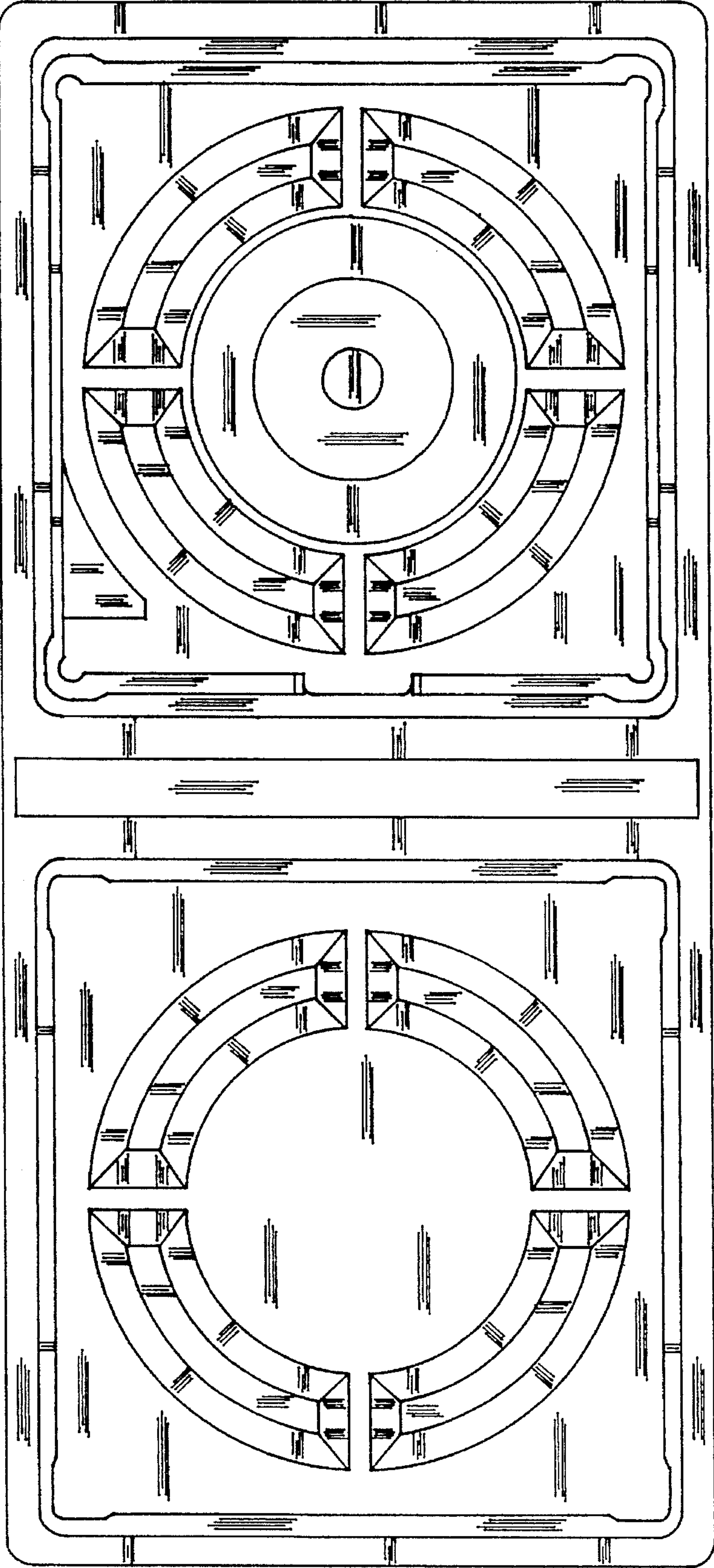


FIG. - 9

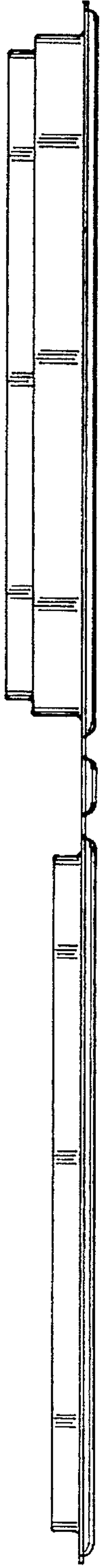


FIG. -13

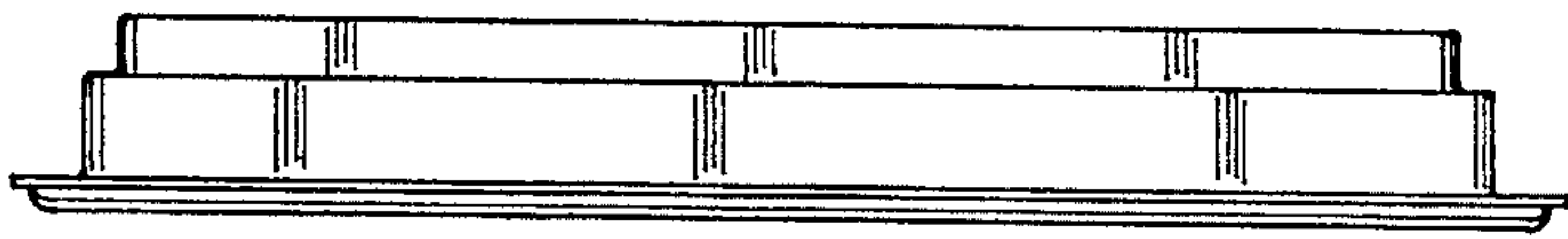


FIG. -10

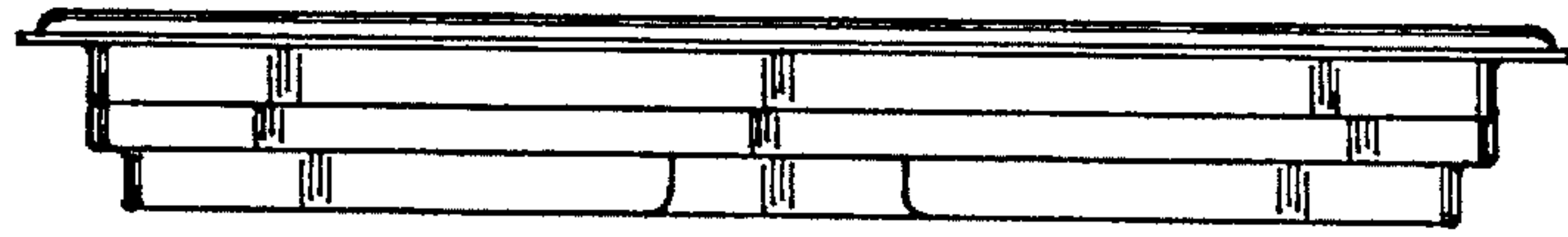


FIG. -11



FIG. -12

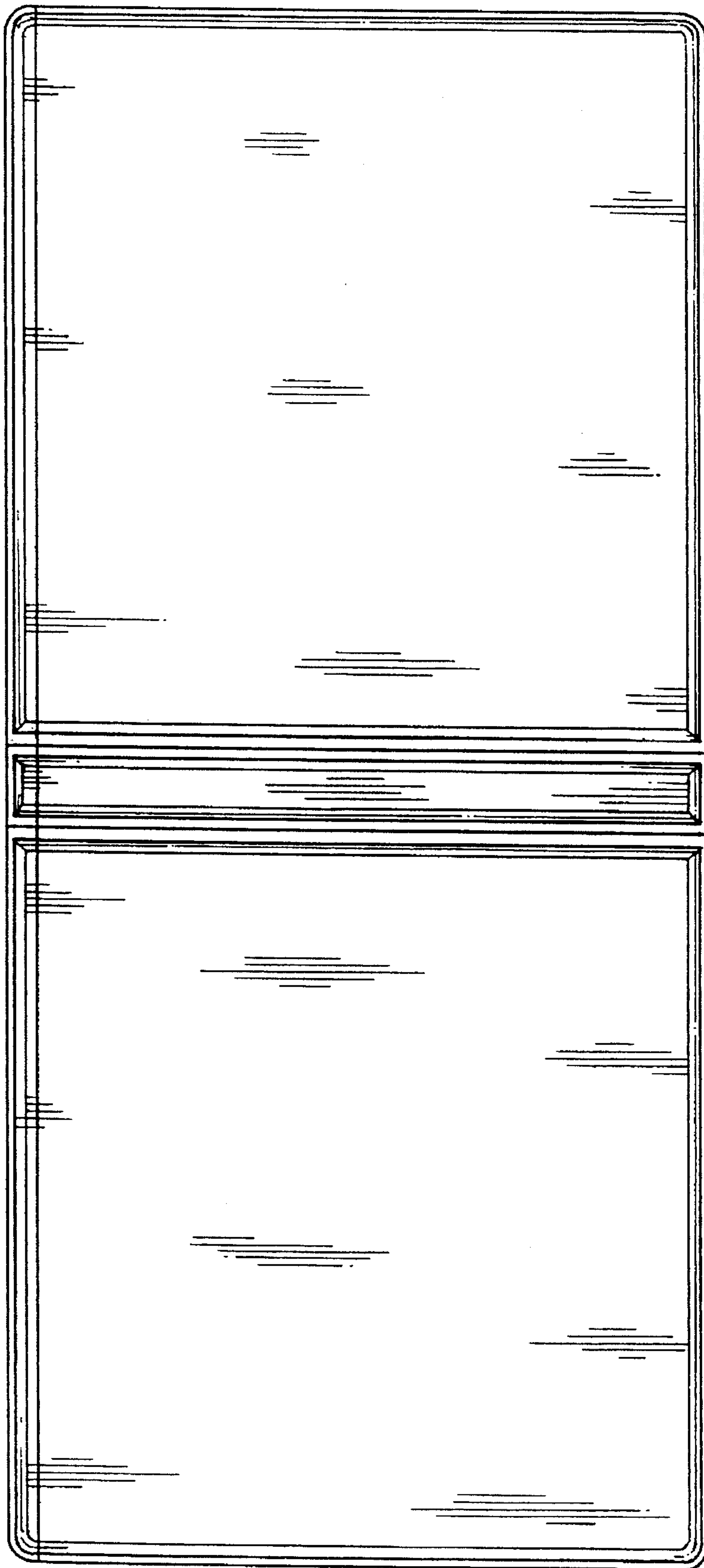


FIG. - 14