



US00D367578S

United States Patent [19]
Locke

[11] **Patent Number: Des. 367,578**
[45] **Date of Patent: **Mar. 5, 1996**

[54] **WINDOW TREATMENT**

[76] Inventor: **Peggy J. Locke**, 275 Mansfield, Paris, Tex. 75462

[**] Term: **14 Years**

[21] Appl. No.: **36,235**

[22] Filed: **Mar. 16, 1995**

[52] U.S. Cl. **D6/579**

[58] Field of Search D6/575, 579, 580;
D25/55, 122; 160/38, 39, 349.1, 349.2

[56] **References Cited**

U.S. PATENT DOCUMENTS

- D. 350,250 9/1994 Tacchella D6/575
- D. 350,251 9/1994 Tacchella D6/575

Primary Examiner—Gary D. Watson
Attorney, Agent, or Firm—Konneker & Bush

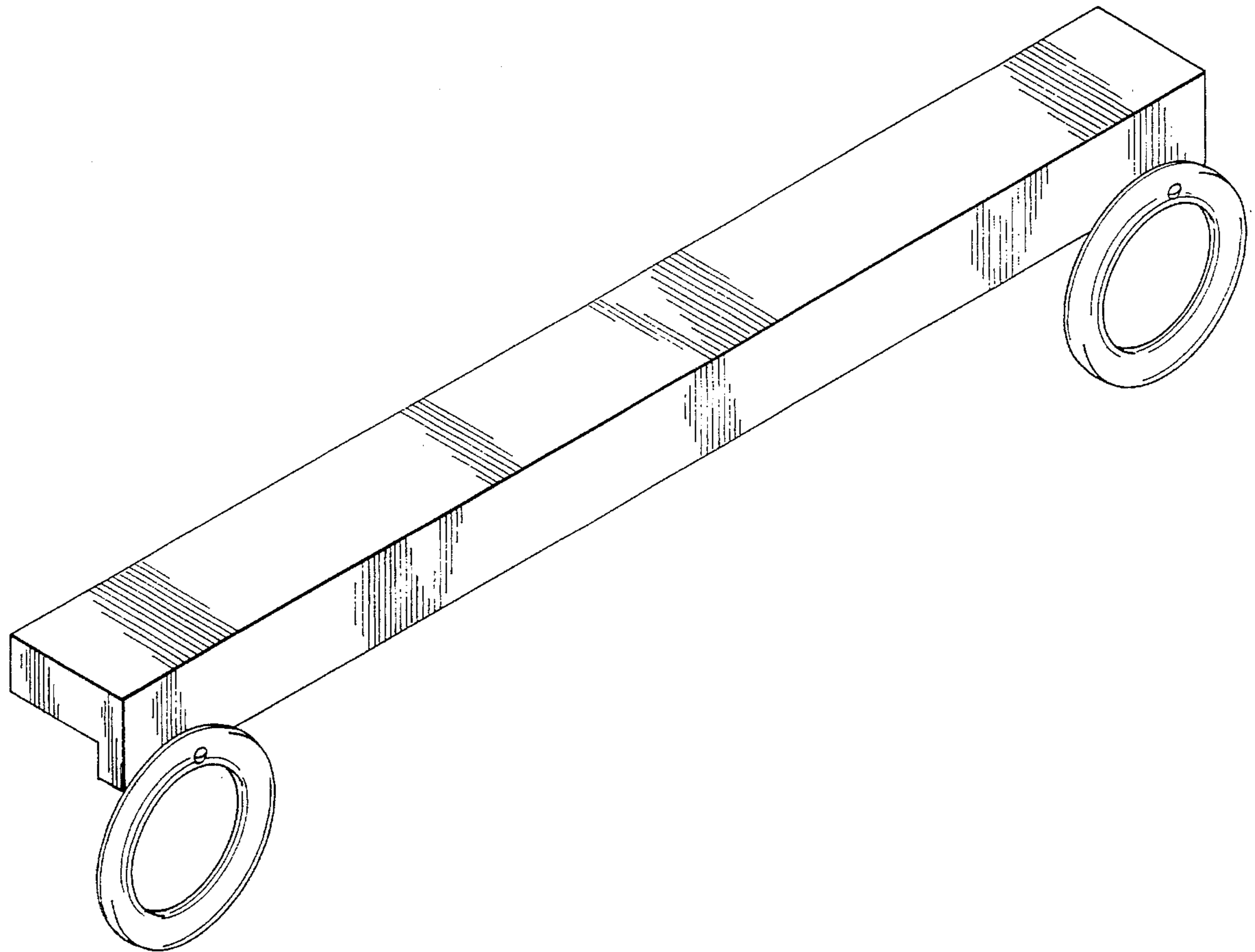
[57] **CLAIM**

The ornamental design for a window treatment, as shown and described.

DESCRIPTION

FIG. 1 is a perspective view of a window treatment showing my new design;
FIG. 2 is a front view;
FIG. 3 is a side view;
FIG. 4 is a rear view;
FIG. 5 is a top view;
FIG. 6 is a bottom view.

1 Claim, 2 Drawing Sheets



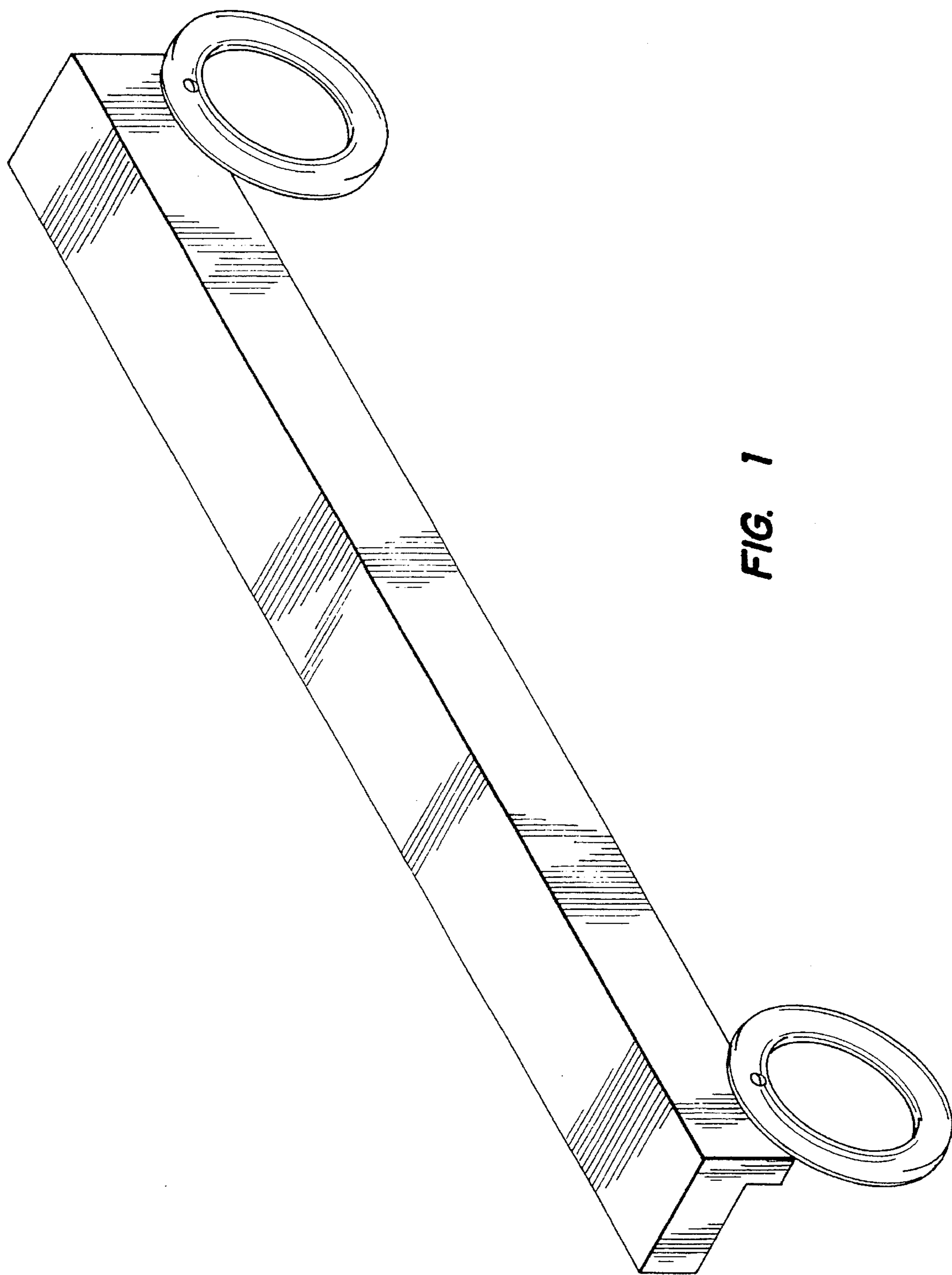


FIG. 1

