



US00D367577S

**United States Patent** [19]  
**Willimann**

[11] **Patent Number:** **Des. 367,577**  
[45] **Date of Patent:** **\*\*Mar. 5, 1996**

[54] **ORGANIZER FOR PERSONAL ACCESSORIES**

D. 359,186 6/1995 Wang ..... D6/525  
3,363,775 12/1965 Shaw ..... 211/70.6

[76] Inventor: **Charles S. Willimann**, 19823 Edensborough Dr., Katy, Tex. 77449

*Primary Examiner*—Brian N. Vinson  
*Attorney, Agent, or Firm*—Marvin J. Marnock

[\*\*] Term: **14 Years**

[57] **CLAIM**

[21] Appl. No.: **27,842**

The ornamental design for an organizer for personal accessories, as shown.

[22] Filed: **Aug. 30, 1994**

**DESCRIPTION**

[52] U.S. Cl. .... **D6/569**

[58] **Field of Search** ..... D6/525, 552, 553, D6/567, 569-571; 211/13, 49.1, 60.1, 70.1, 71, 72, 74, 86-87, 88, 126, 134

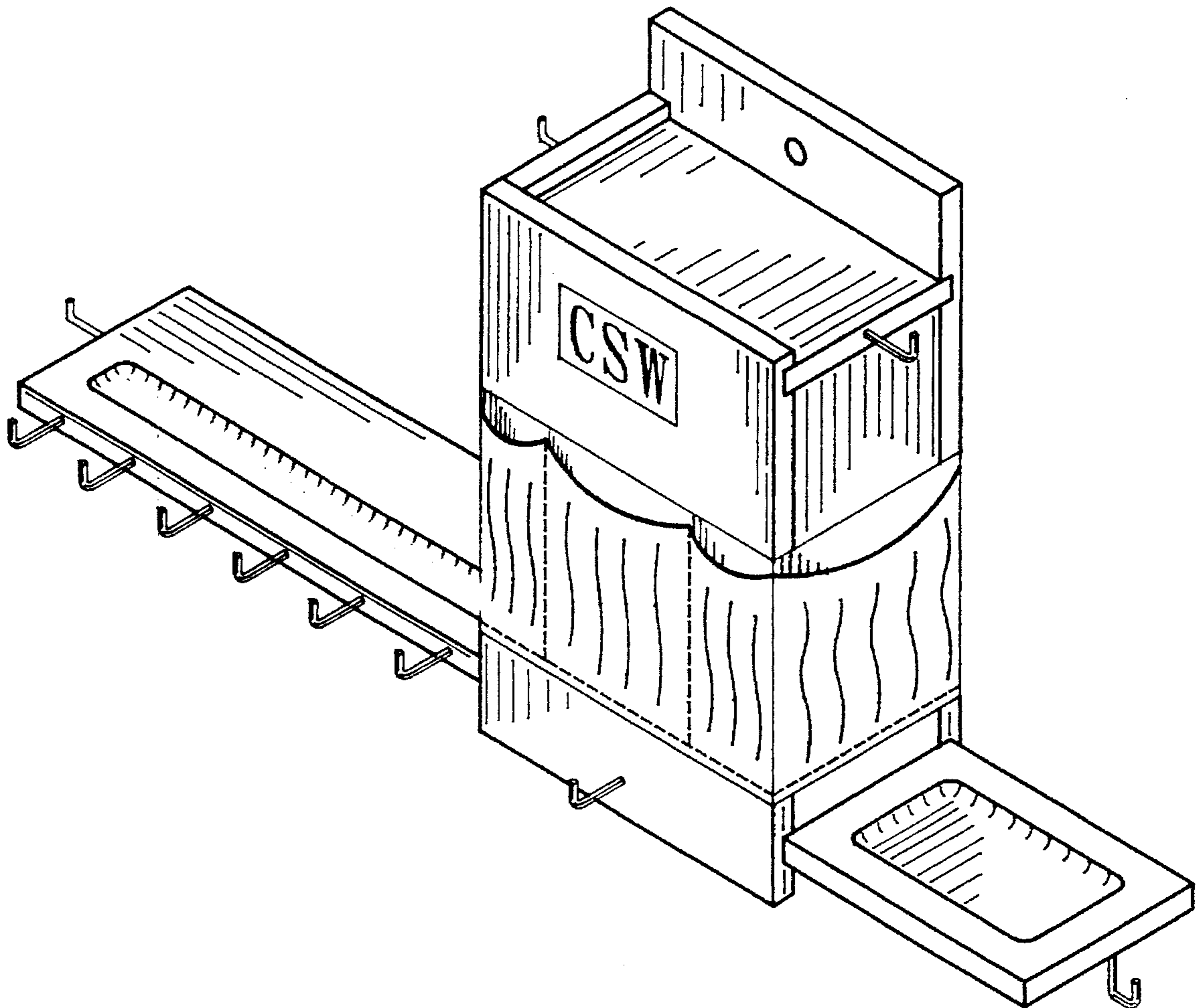
FIG. 1 is a perspective view of an organizer for personal accessories showing my new design;  
FIG. 2 is a top view of the organizer for personal accessories shown in FIG. 1;  
FIG. 3 is a side view of the organizer for personal accessories shown in FIG. 1; and,  
FIG. 4 is a front view of the organizer for personal accessories shown in FIG. 1.

[56] **References Cited**

**U.S. PATENT DOCUMENTS**

D. 179,718 2/1957 Cornett ..... D6/571  
D. 317,234 6/1991 Ruck ..... D6/571 X  
D. 341,048 11/1993 Murro ..... D6/525

**1 Claim, 2 Drawing Sheets**



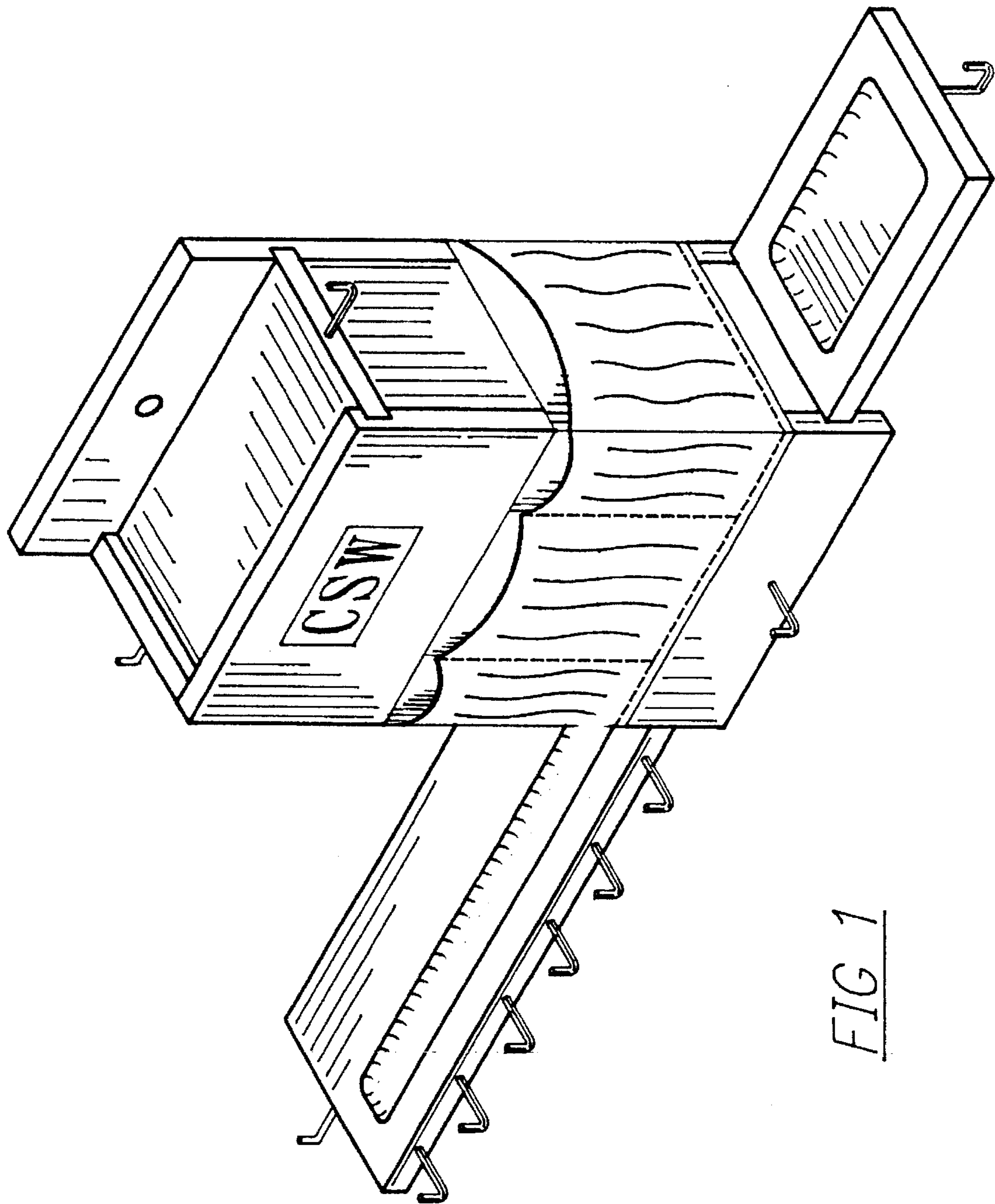


FIG 1

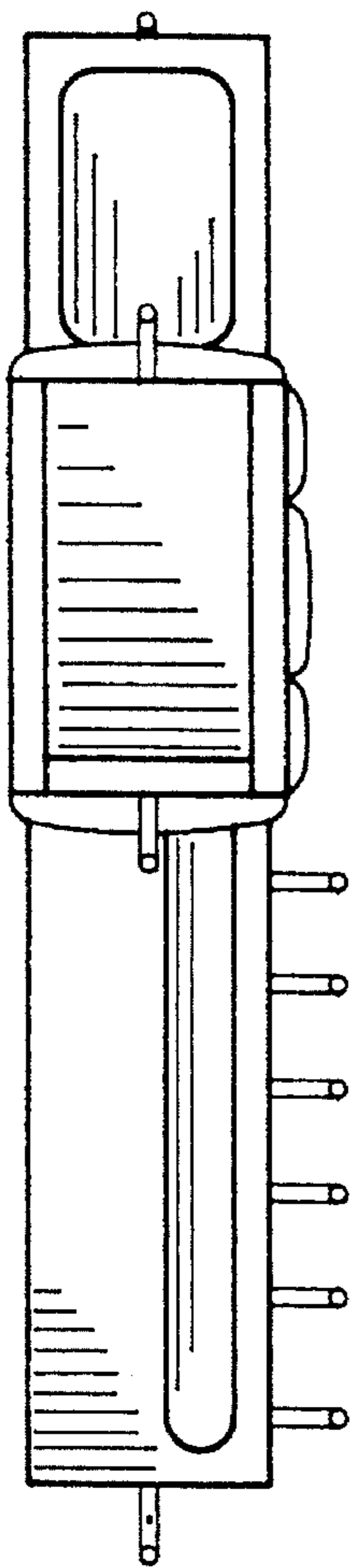


FIG. 2

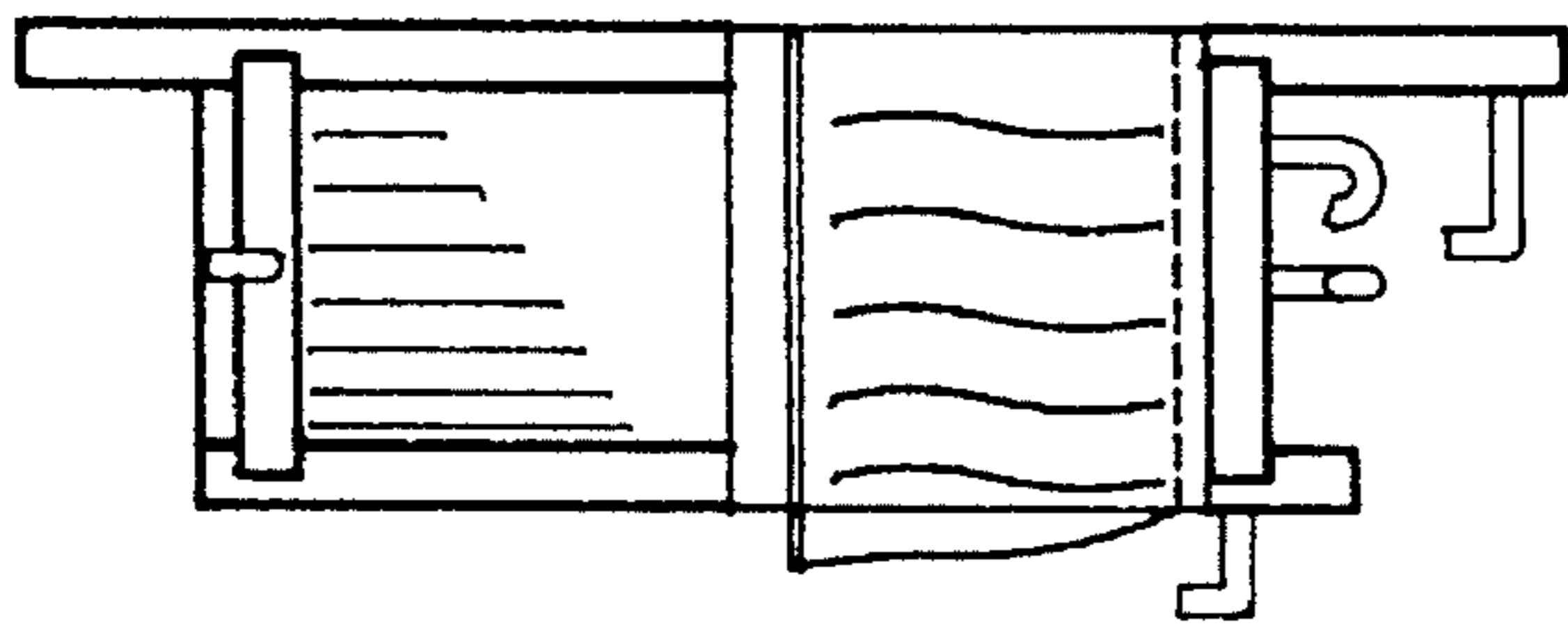


FIG. 3

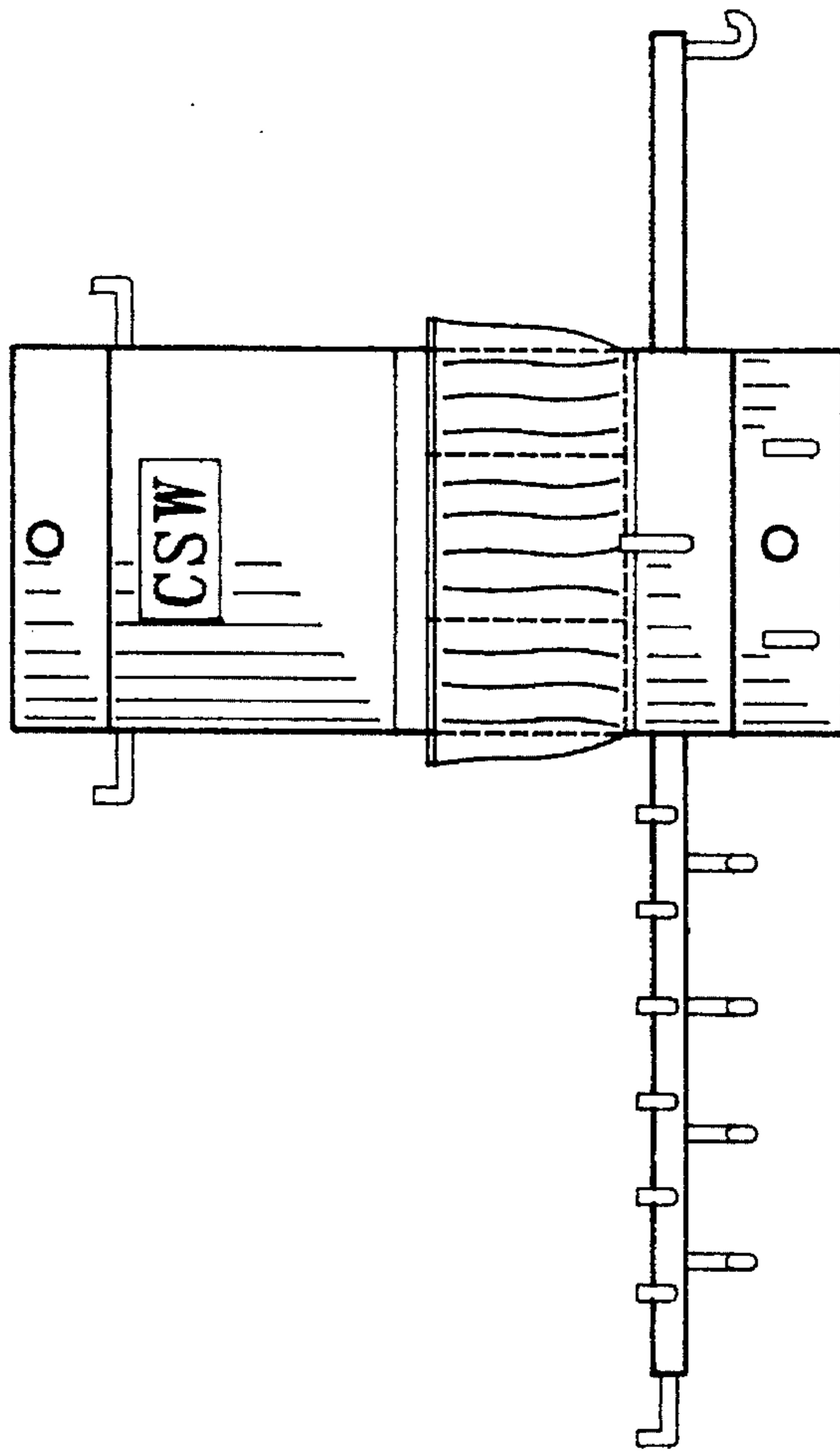


FIG. 4