



US00D367573S

United States Patent [19]
Larkin

[11] **Patent Number: Des. 367,573**
[45] **Date of Patent: **Mar. 5, 1996**

[54] **CHAIR BASE**

[76] Inventor: **Robert F. Larkin**, 705 Oakland Hills Ct., High Point, N.C. 27265

[**] Term: **14 Years**

[21] Appl. No.: **24,301**

[22] Filed: **Jun. 13, 1994**

[52] U.S. Cl. **D6/498**

[58] Field of Search D6/500-502, 495, D6/498, 366; 248/188, 188.1, 188.7

[56] **References Cited**

U.S. PATENT DOCUMENTS

D. 272,777	2/1984	Schultz	D6/366
D. 274,864	7/1984	Diffrient	D6/366
D. 313,703	1/1991	Moschini et al.	D6/366

D. 315,066	3/1991	Adams et al.	D6/366
D. 345,866	4/1994	Barker	D6/366
D. 347,333	5/1994	Von Klier	D6/366

Primary Examiner—Janice E. Seeger
Attorney, Agent, or Firm—Brian D. Voyce

[57] **CLAIM**

The ornamental design for a chair base, as shown and described.

DESCRIPTION

FIG. 1 is a perspective view of a chair base, showing my new design;

FIG. 2 is a side elevational view; and,

FIG. 3 is a top plan view thereof.

The bottom of the article is plain and unornamented.

1 Claim, 2 Drawing Sheets

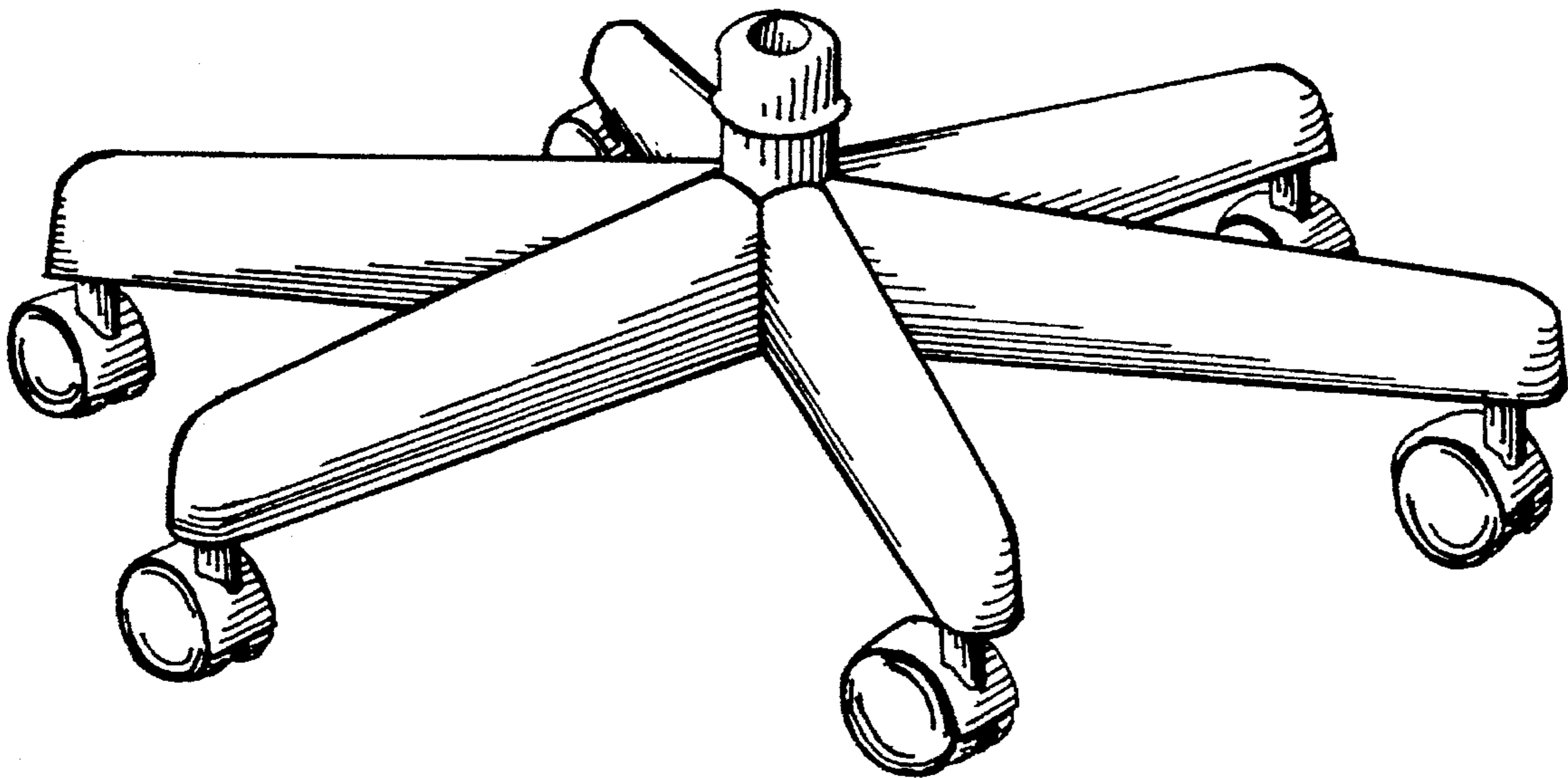


FIGURE 1

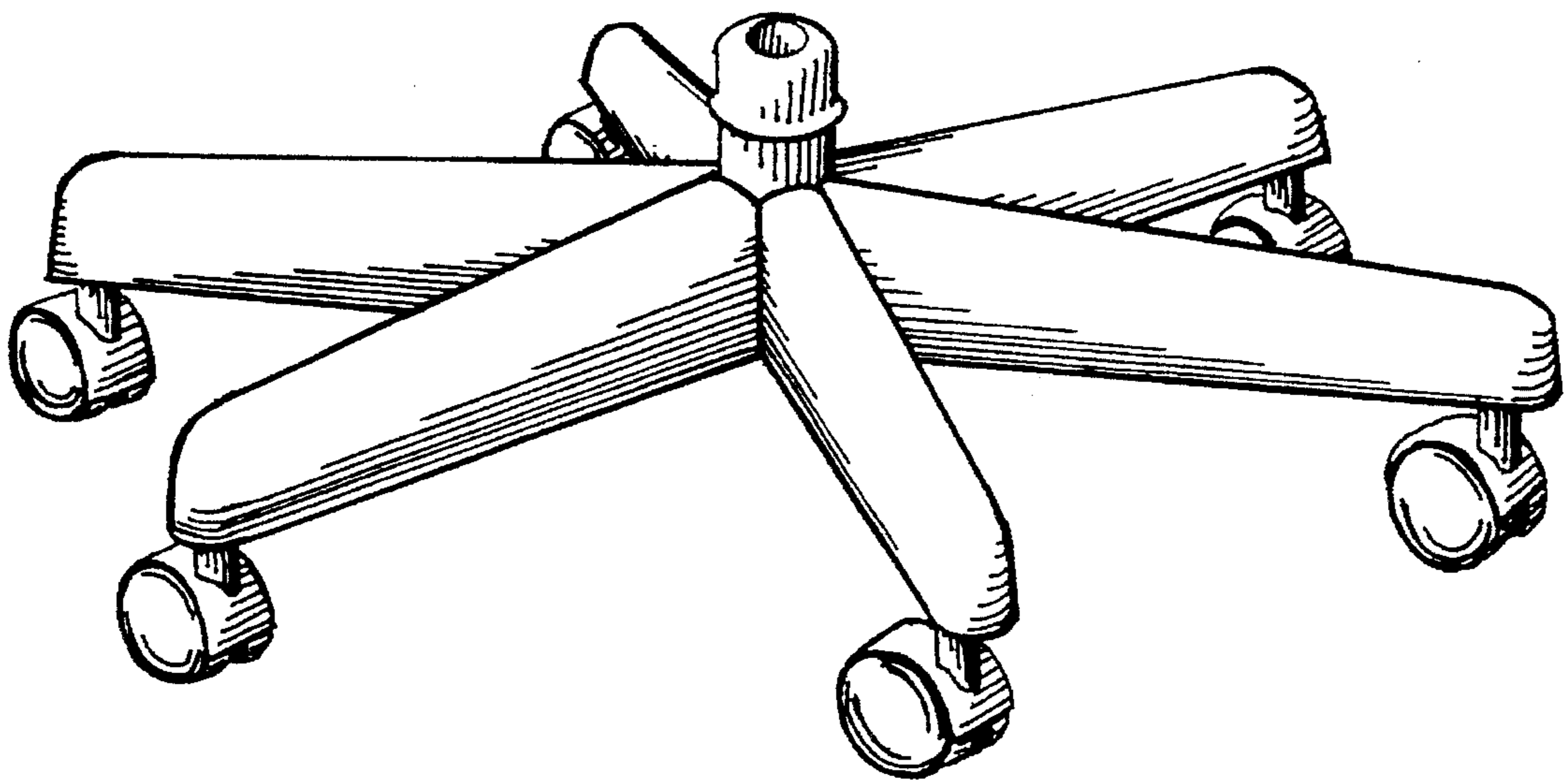


FIGURE 2

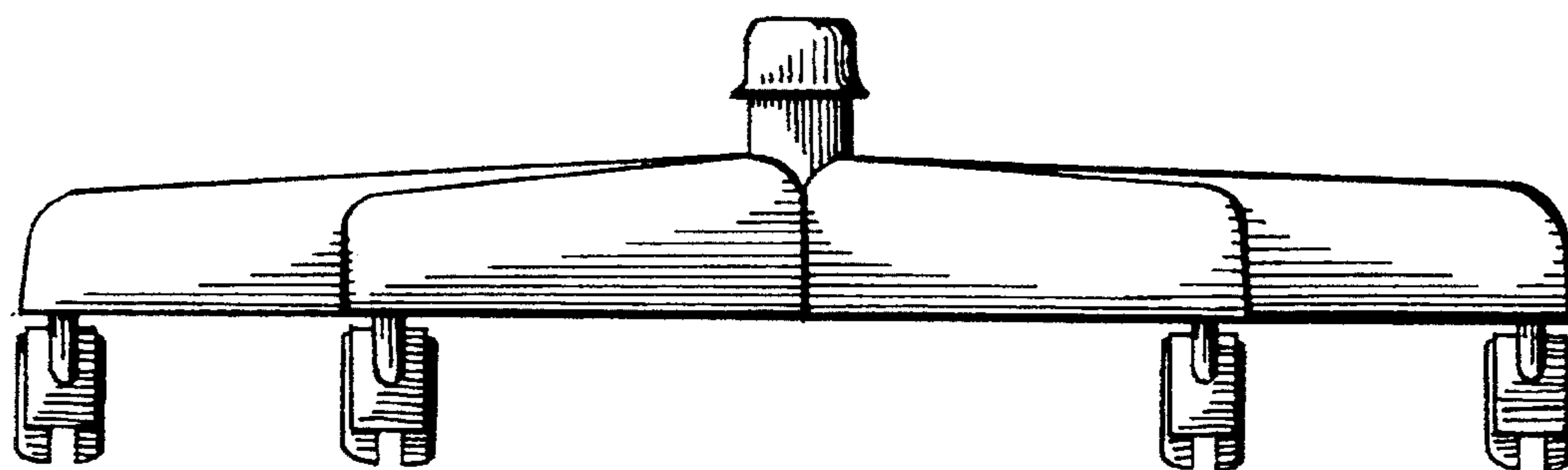


FIGURE 3

