



US00D367571S

United States Patent [19]

[11] **Patent Number: Des. 367,571**

Ennis

[45] **Date of Patent: *** Mar. 5, 1996**

[54] **SPECTACLE DISPLAY HOLDER**

[76] Inventor: **Jan S. Ennis**, 16709 NE. 41st St., Redmond, Wash. 98052

[*] Notice: The portion of the term of this patent subsequent to Nov. 1, 2008, has been disclaimed.

[**] Term: **14 Years**

[21] Appl. No.: **23,869**

[22] Filed: **Jun. 2, 1994**

Related U.S. Application Data

[63] Continuation-in-part of Ser. No. 5,674, Mar. 8, 1993, Pat. No. Des. 351,955.

[52] **U.S. Cl.** **D6/466**

[58] **Field of Search** D6/466, 467, 469, D6/411, 418; D3/219; D16/130; 211/13, 14, 15, 22, 133; 248/902, 309.1

[56] **References Cited**

U.S. PATENT DOCUMENTS

Re. 33,596	5/1991	Ennis	211/105.2
319,293	6/1885	Merritt	.
595,253	12/1897	Sankey	.
614,933	11/1898	Christianus	.
993,404	5/1911	Price	211/13 X
1,661,516	3/1928	Vineberg	.
2,713,947	7/1955	Foster	211/13
2,884,219	4/1959	Glover	248/305
2,949,683	8/1960	Glover	211/13
3,259,348	7/1966	Dann	248/309.1 X
3,351,208	11/1967	Siegel	211/13
3,519,138	7/1970	Murray	211/13
3,552,701	1/1971	Montagano	248/309
3,857,482	12/1974	Shelton	206/72
3,895,718	7/1975	Seiller	211/13
3,924,750	12/1975	Dunchock	211/13
4,011,953	3/1977	Engelman	211/13
4,128,224	12/1978	Guichard	248/316
4,180,921	1/1980	Elbaum et al.	35/59
4,204,602	5/1980	Dunchock	211/13
4,541,534	9/1985	Strauss	211/13
4,558,788	12/1985	Grothaus	211/13

4,609,975	9/1986	Badolato et al.	362/125
4,614,272	9/1986	Shelton et al.	211/163
4,695,026	9/1987	Medley, Jr.	248/316.5
4,724,966	2/1988	Benaksas	211/13
4,787,520	11/1988	Pearson	211/13
4,805,781	2/1989	Tegel	211/13
4,830,203	5/1989	Ennis	211/105.2
4,830,480	5/1989	Ennis	351/158
4,878,641	11/1989	Vogt	248/309.1
4,890,745	1/1990	Holden	211/13
4,903,925	2/1990	Park	248/206.1
4,930,740	6/1990	Vogt	248/309.1
5,025,931	6/1991	Berger	211/13
5,056,416	12/1991	Ennis	211/13 X
5,056,668	10/1991	Berger	211/13
5,069,416	12/1991	Ennis	248/902
5,178,283	1/1993	Ennis	211/4
5,316,252	5/1994	Charnow et al.	211/13 X

FOREIGN PATENT DOCUMENTS

2024003 1/1980 United Kingdom A47F 7/00

Primary Examiner—Alan P. Douglas
Assistant Examiner—S. Snapp
Attorney, Agent, or Firm—Vance & Romero

[57] **CLAIM**

The ornamental design for a spectacle display holder, as shown and described.

DESCRIPTION

FIG. 1 is an isometric view of the present invention, wherein the opening on the clip is positioned on a rearward side of the invention;
FIG. 2 is a front side-elevational view of the embodiment illustrated in FIG. 15.
FIG. 3 is a back side-elevational view of the embodiment illustrated in FIG. 15;
FIG. 4 is a second side-elevational view of the embodiment illustrated in FIG. 15;
FIG. 5 is a first side-elevational view of the embodiment illustrated in FIG. 15;
FIG. 6 is a top plan view of the embodiment illustrated in FIG. 15; and,
FIG. 7 is a bottom plan view of the embodiment illustrated in FIG. 15.

1 Claim, 1 Drawing Sheet

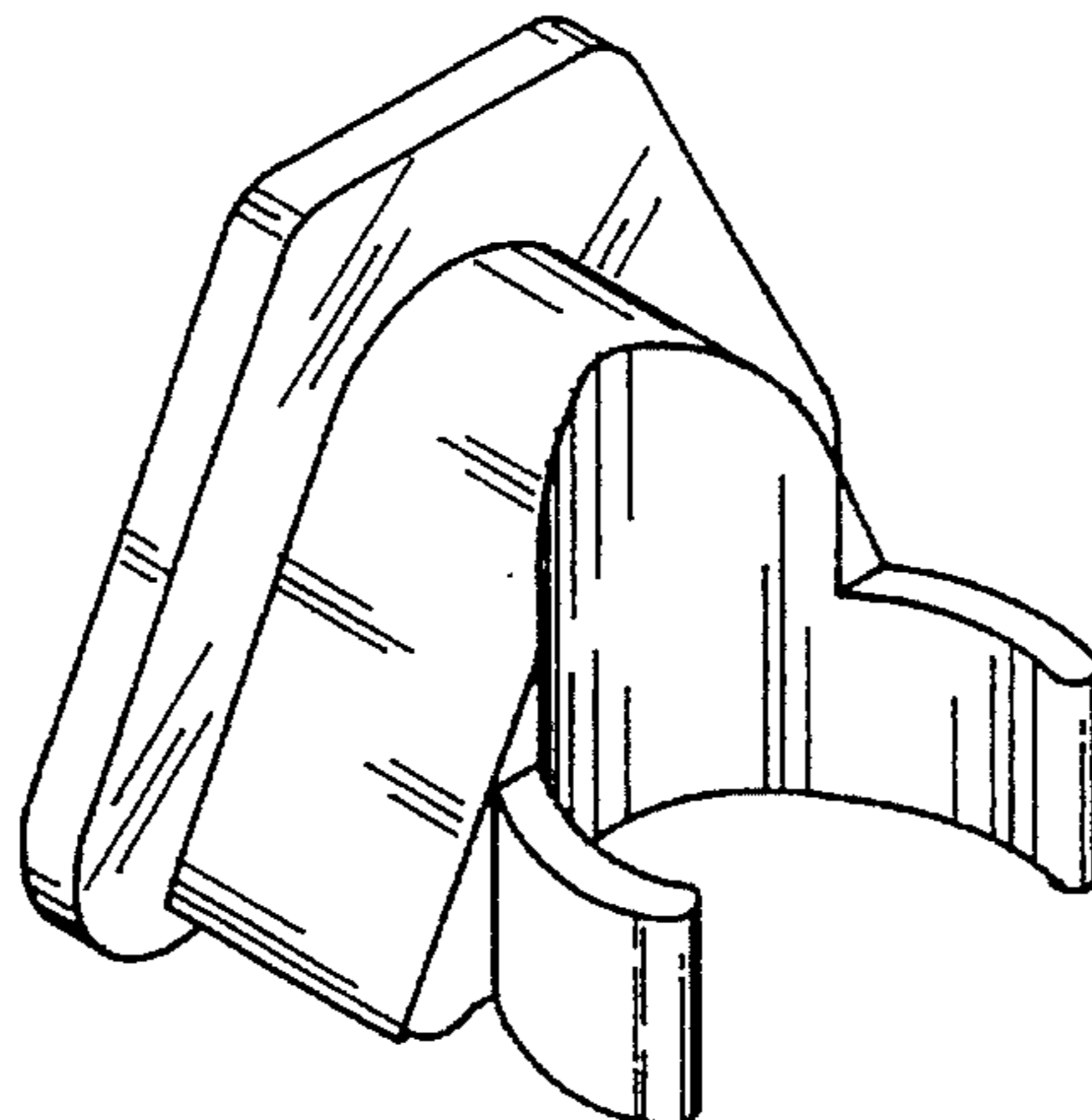


FIG. 1

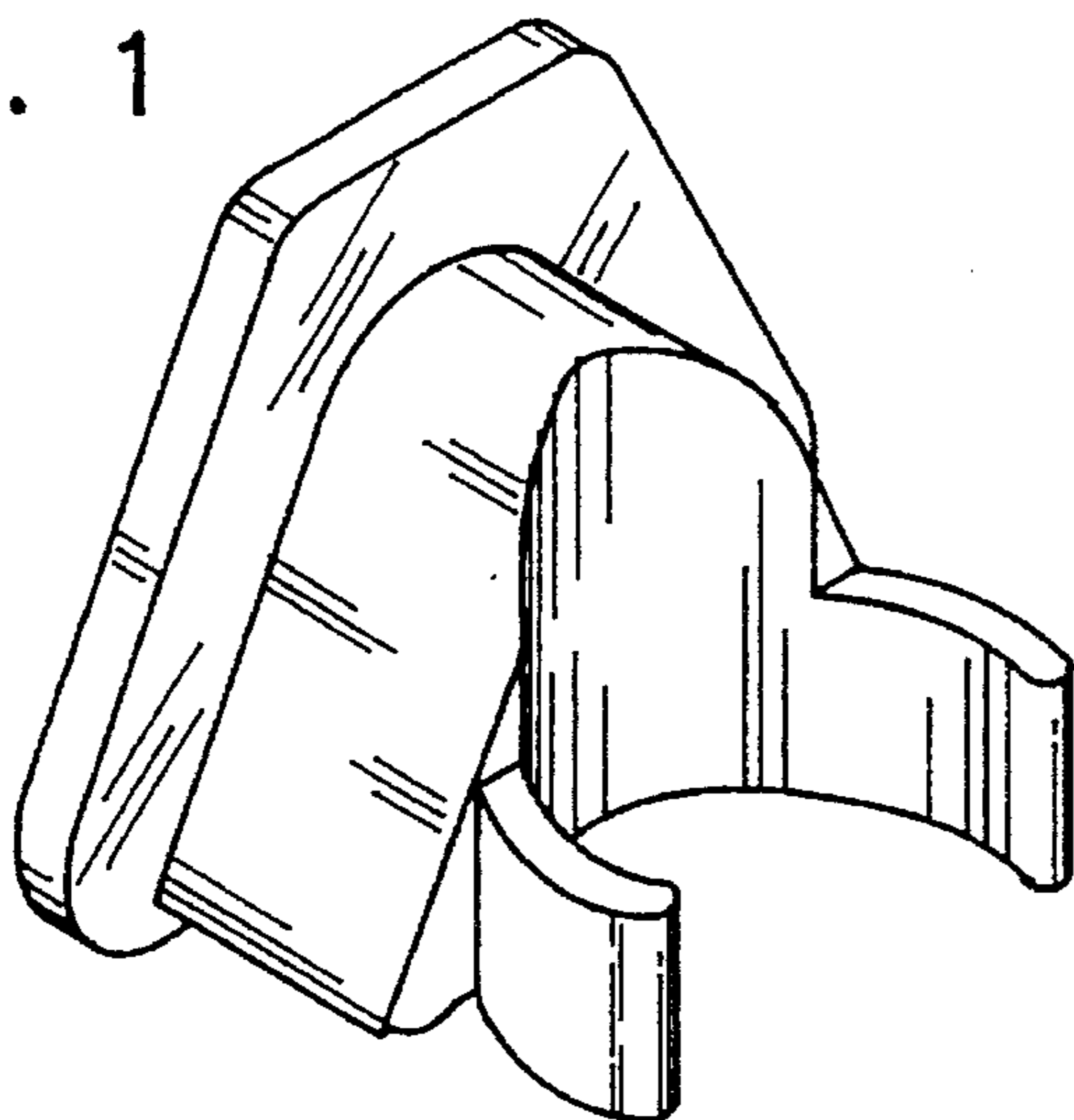


FIG. 2

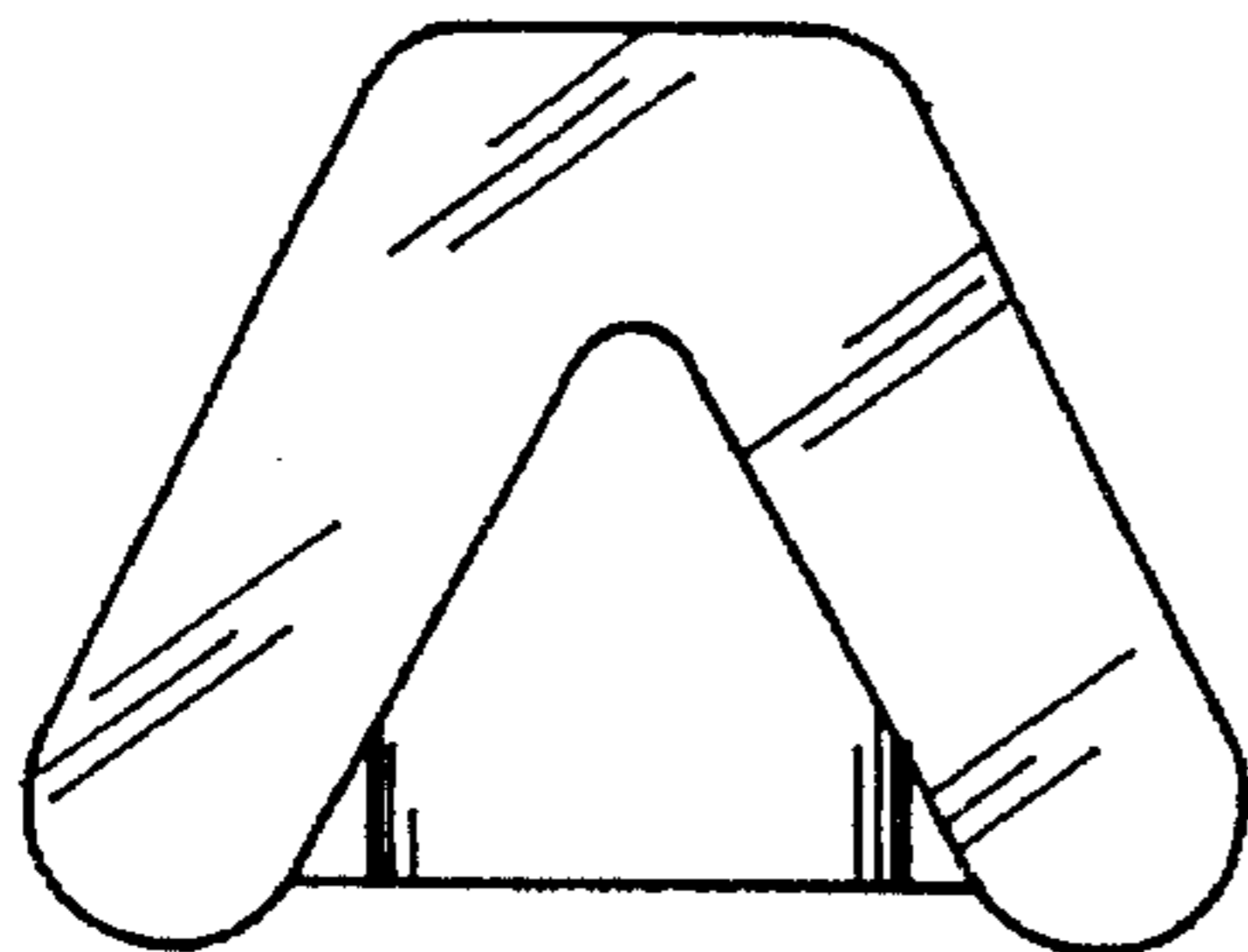


FIG. 4

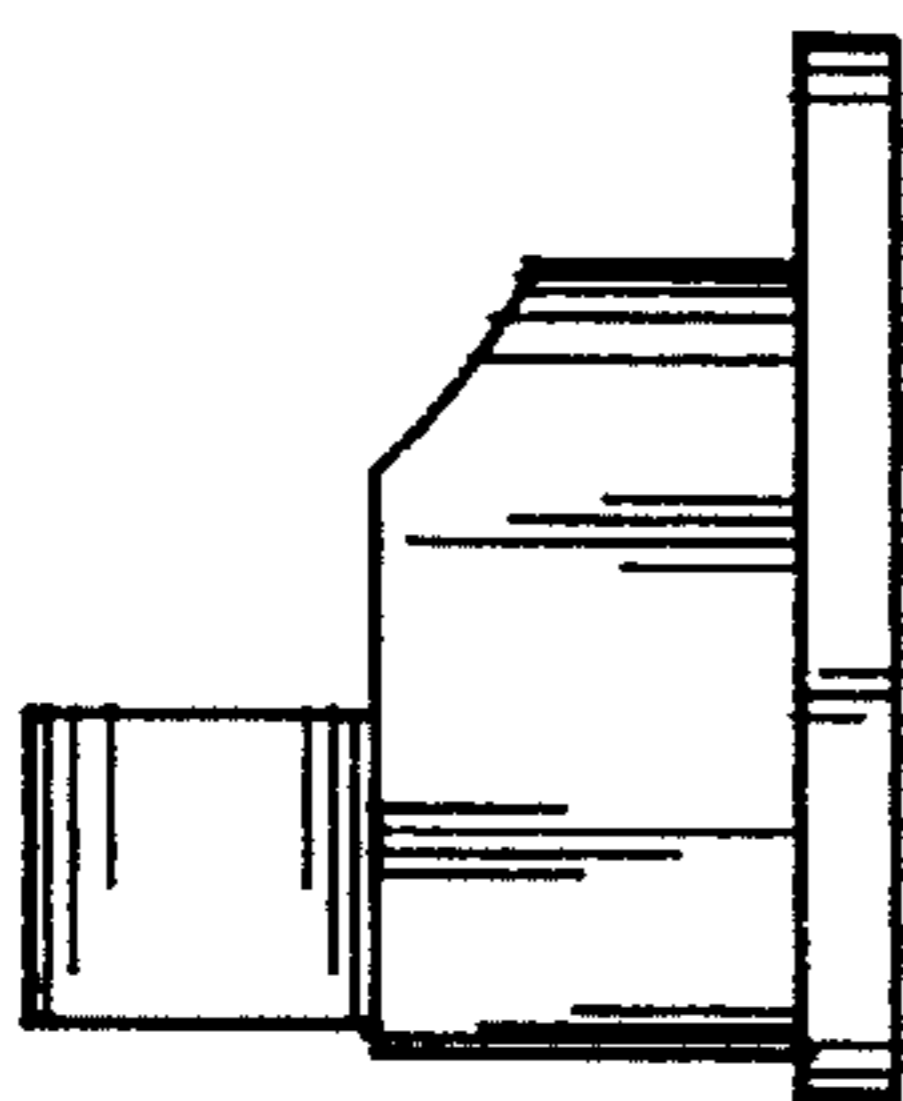


FIG. 6

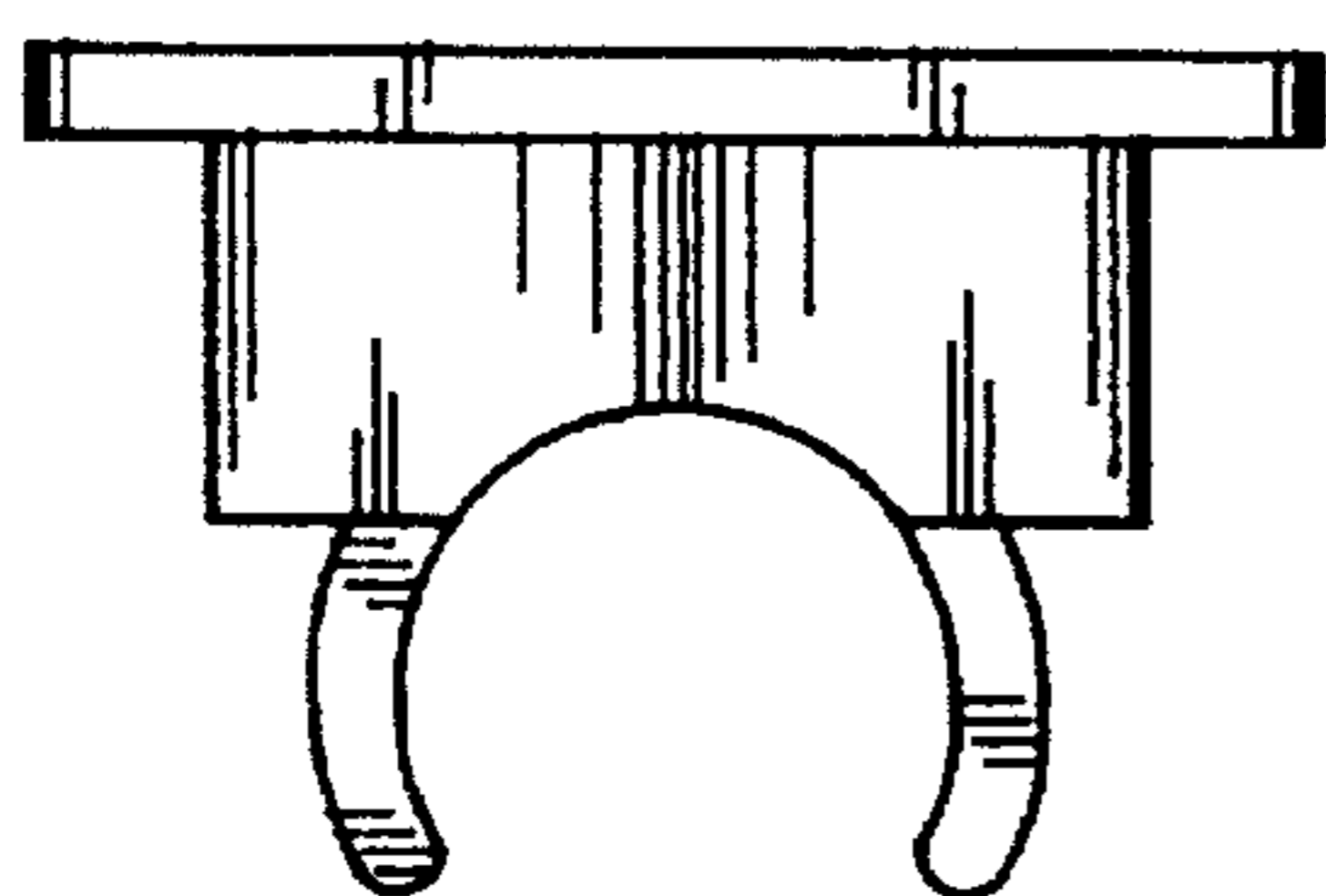


FIG. 3

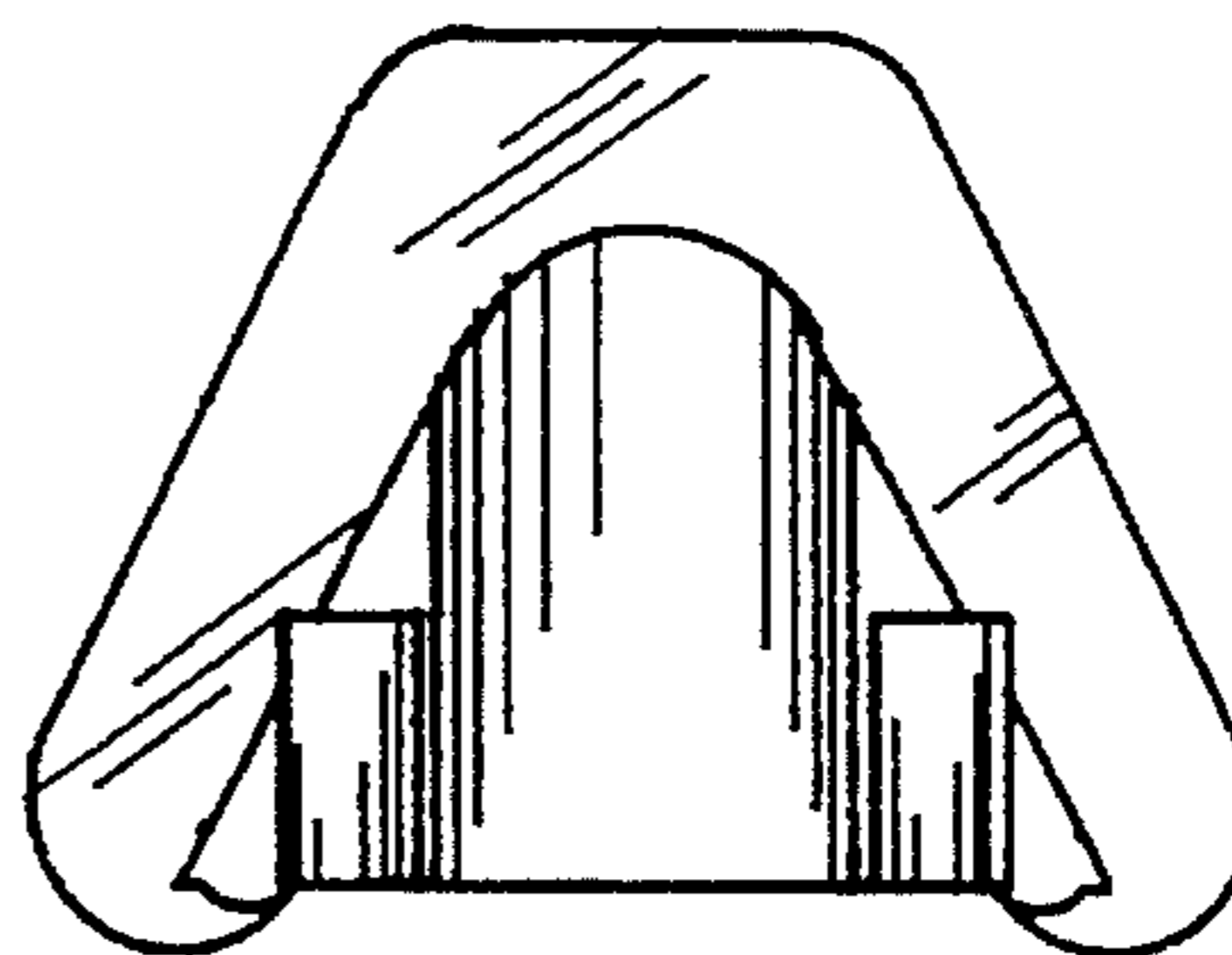


FIG. 5

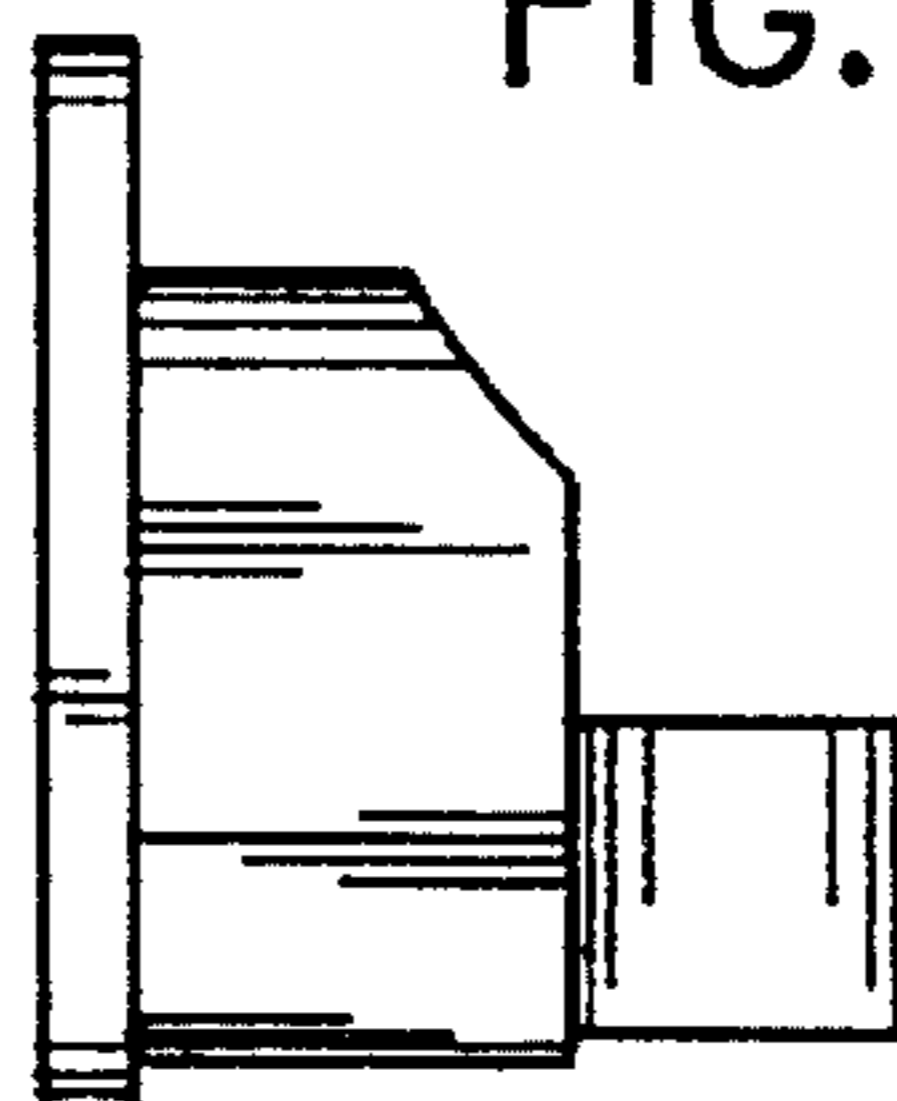


FIG. 7

