



US00D367568S

United States Patent [19]

[11] Patent Number: **Des. 367,568**

Strayer

[45] Date of Patent: ****Mar. 5, 1996**

[54] **DESK FOR CHILDREN**

[75] Inventor: **Mark A. Strayer**, Alliance, Ohio

[73] Assignee: **The Little Tikes Company**, Hudson, Ohio

[**] Term: **14 Years**

[21] Appl. No.: **25,348**

[22] Filed: **Jul. 1, 1994**

[52] U.S. Cl. **D6/422**

[58] Field of Search D6/396, 397, 419-431, D6/441, 406

[56] **References Cited**

U.S. PATENT DOCUMENTS

D. 150,340	7/1948	Cunningham	D6/480
D. 242,317	11/1976	Hofmann	D6/399
D. 250,336	11/1978	Esslinger et al.	D14/103 X
D. 266,036	9/1982	Teves	D6/397
D. 282,218	1/1986	Catelli	D6/420 X
D. 293,254	12/1987	Appel et al.	D6/420 X
D. 295,474	5/1988	Uredat-Neuhoff	D6/484
D. 311,753	10/1990	Westland et al.	D18/23
D. 318,768	8/1991	Westland et al.	D6/422
D. 327,790	7/1992	Sharar	D6/397 X
D. 335,225	5/1993	Ugalde	D6/425
2,675,288	4/1954	Usher	312/194
4,047,774	9/1977	Hanning	312/231
4,947,763	8/1990	Piorek	108/8

OTHER PUBLICATIONS

P. 14, Cocktail table; Allibert Inc., 1200 Highway 27 South, P.O. Box 1200, Stanley, North Carolina 28164. Publication date 1988.

P. 163, Computer workstation; Global Computer Supplies, 2318 East Del Amo Boulevard, Dept. 31, Compton, California 90220. Publication date Jan., 1992.

P. 18, Art desk; Craft House Corporation, 328 North Westwood Avenue, Toledo, Ohio 43607. Publication date 1900.

P. 30, Table; Shelcore Inc., 3474 South Clinton Avenue,

South Plainfield, New Jersey 07080. Publication date 1986. P. 19, Activity center; Constructive Playthings, 1227 East 119th Street, Grandview, Missouri 64030. Publication date Fall and Winter 1985-1986.

P. 12, Art table; Toys to Grow On, P.O. Box 17, Long Beach, California 90801. Publication date 1986.

P. 100, Desk; The Little Tikes Company, 2180 Barlow Road, Hudson, Ohio 44236. Publication date 1991.

Primary Examiner—Alan P. Douglas

Assistant Examiner—Cathron B. Matta

Attorney, Agent, or Firm—Richard B. O'Planick; Lisa B. Riedesel

[57] **CLAIM**

The ornamental design for a desk for children, as shown and described.

DESCRIPTION

FIG. 1 is a top right front perspective view of a desk for children showing my new design. The broken lines are for illustrative purposes only and form no part of the claimed design;

FIG. 2 is a front elevational view thereof;

FIG. 3 is a rear elevational view thereof;

FIG. 4 is a top plan view thereof;

FIG. 5 is a right side elevational view thereof; the left side elevational being a mirror image;

FIG. 6 is a bottom plan view thereof;

FIG. 7 is a top right front perspective view of the subject invention, shown with the environmental unclaimed features removed;

FIG. 8 is a front elevational view of the subject invention, shown with the environmental unclaimed features removed;

FIG. 9 is a rear elevational view of the subject invention, shown with the environmental unclaimed features removed;

and,

FIG. 10 is a top plan view of the subject invention, shown with the environmental unclaimed features removed.

1 Claim, 5 Drawing Sheets

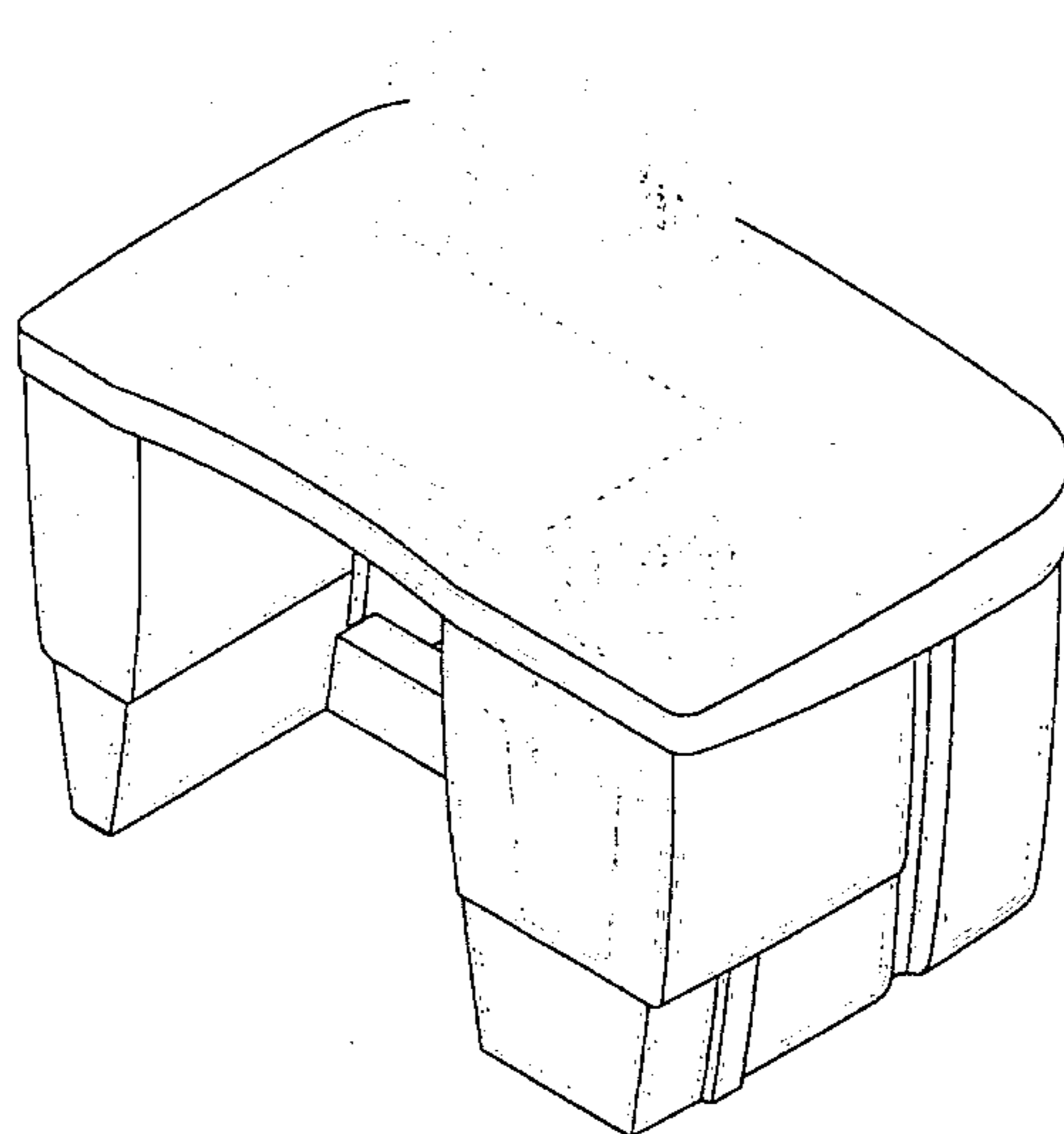


FIG. 1

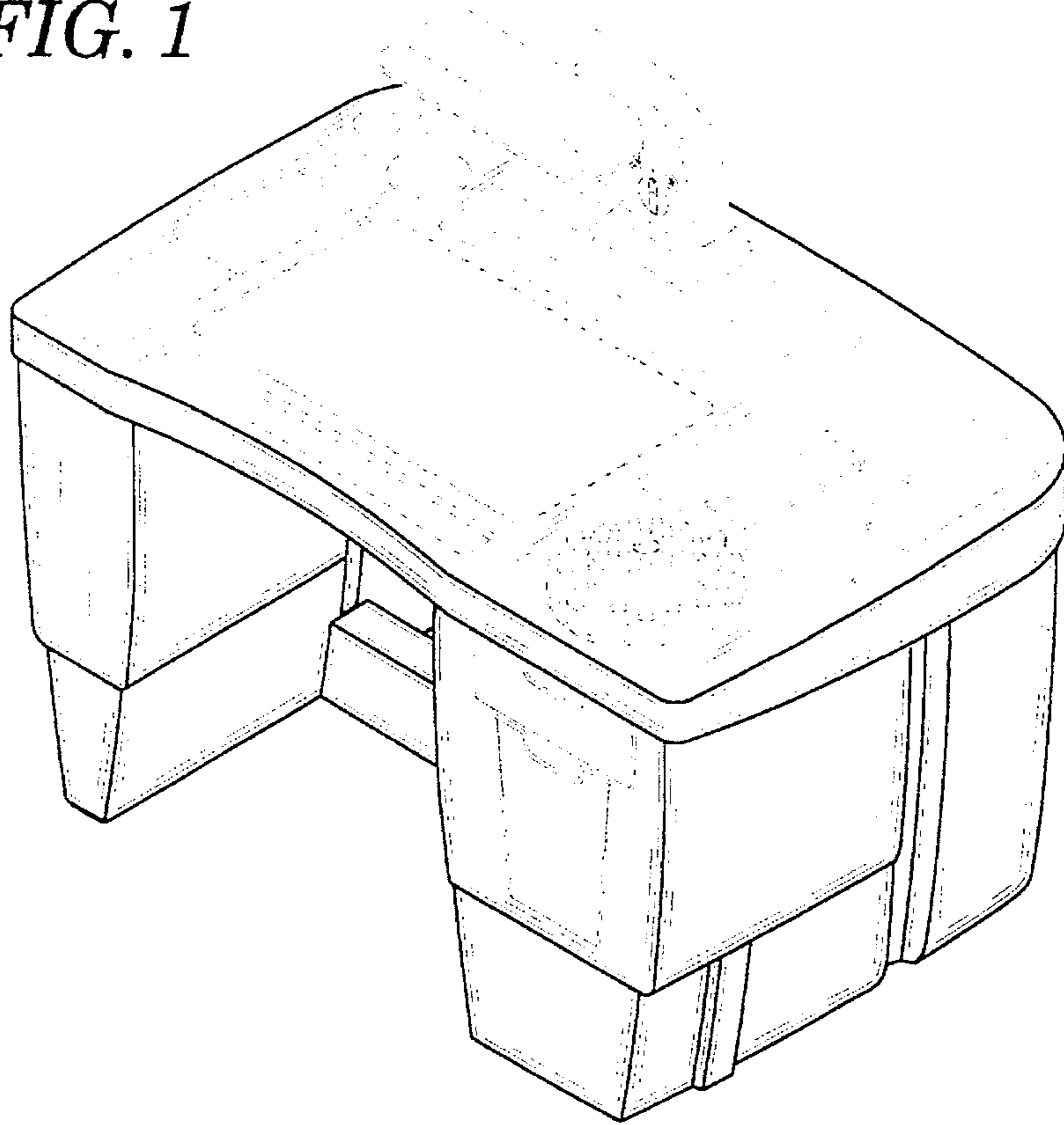


FIG. 2

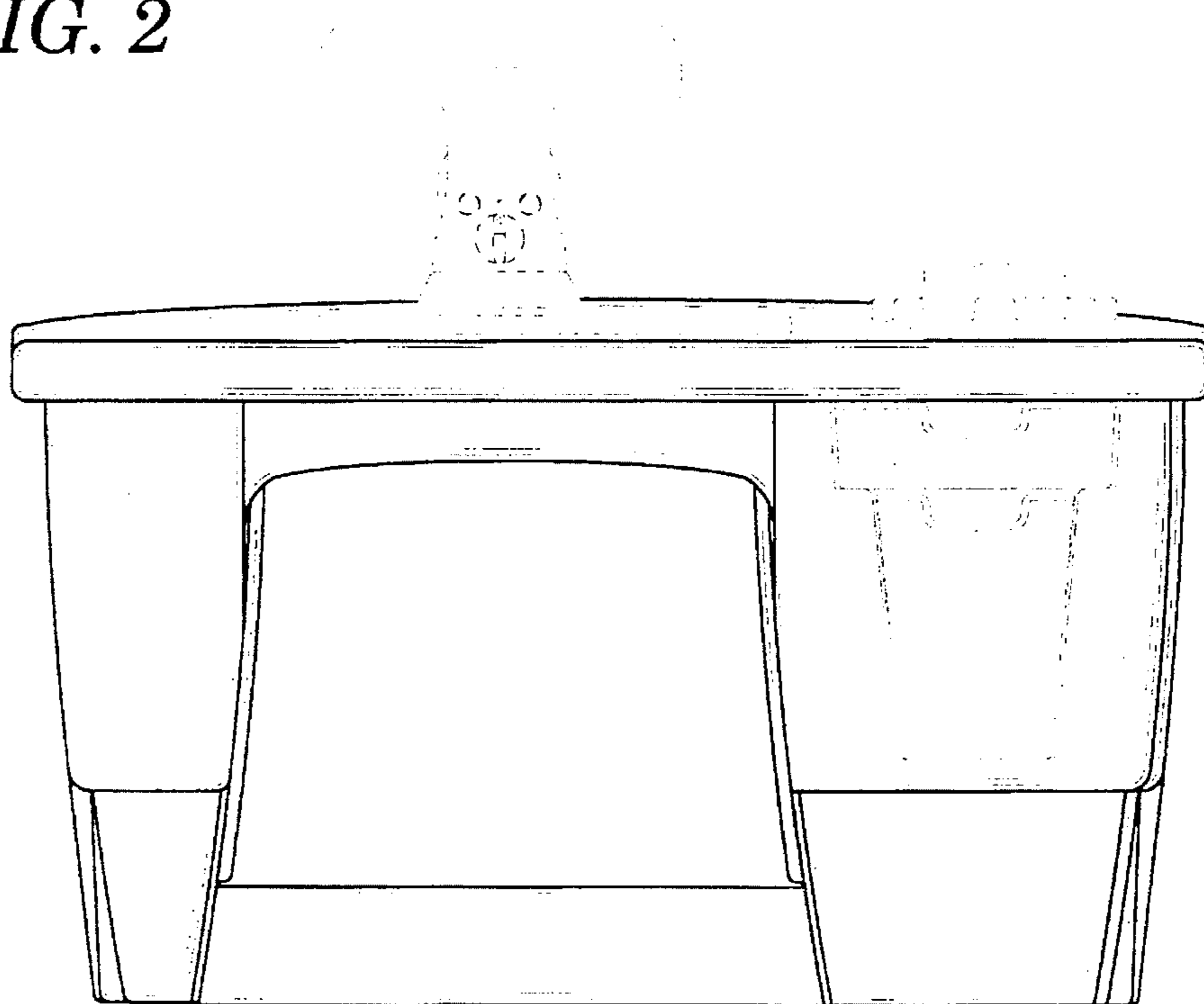


FIG. 3

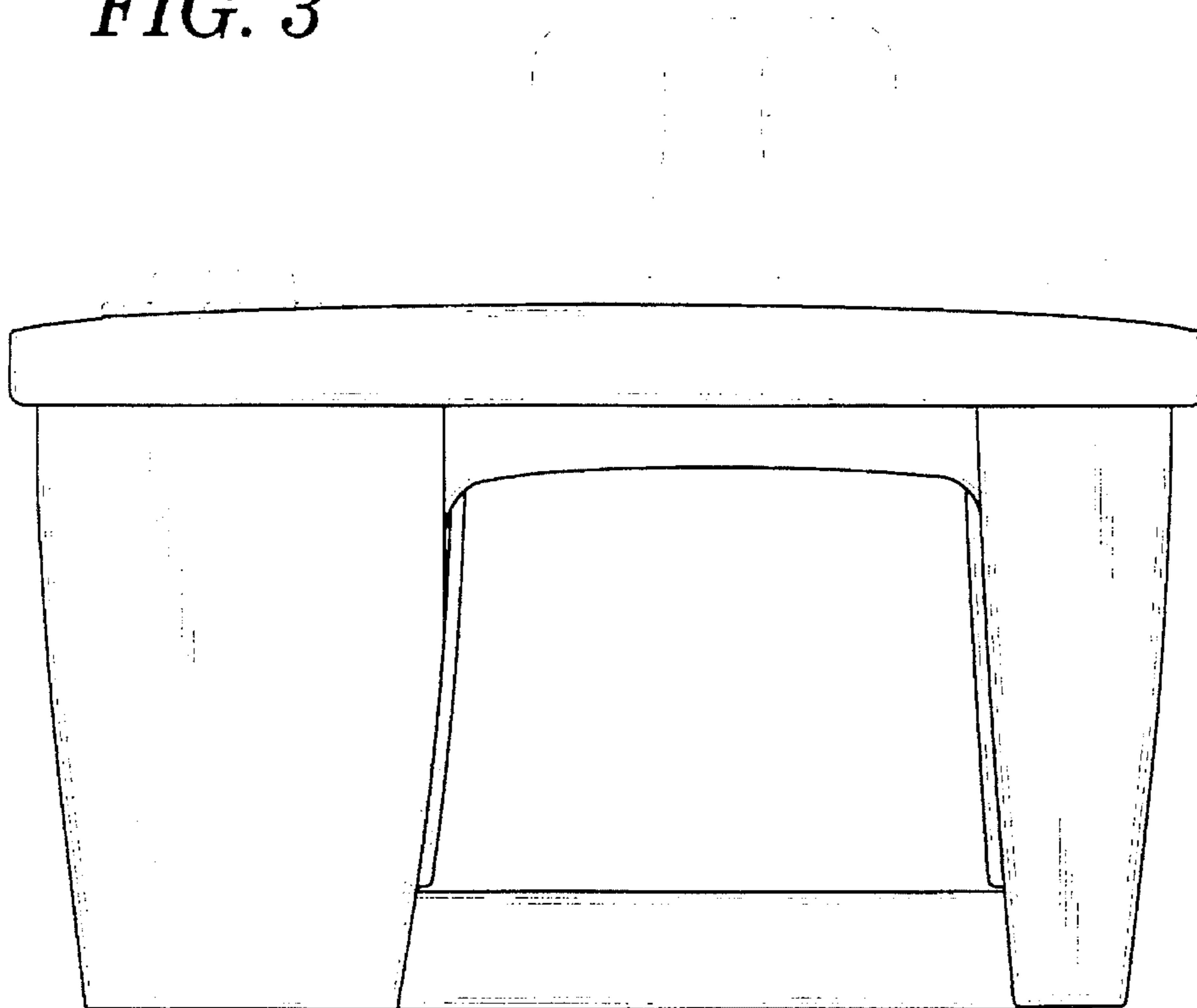


FIG. 4

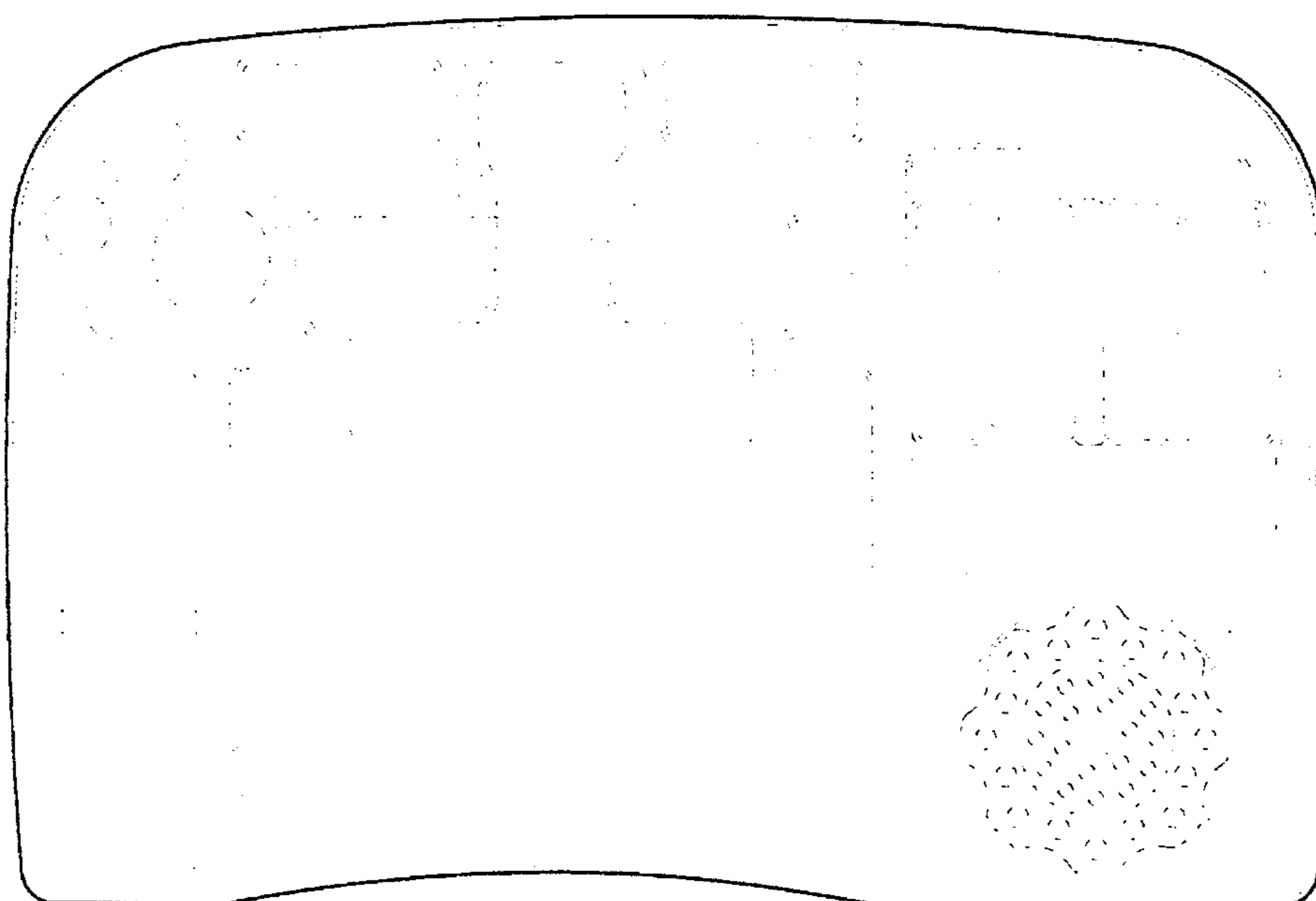


FIG. 5

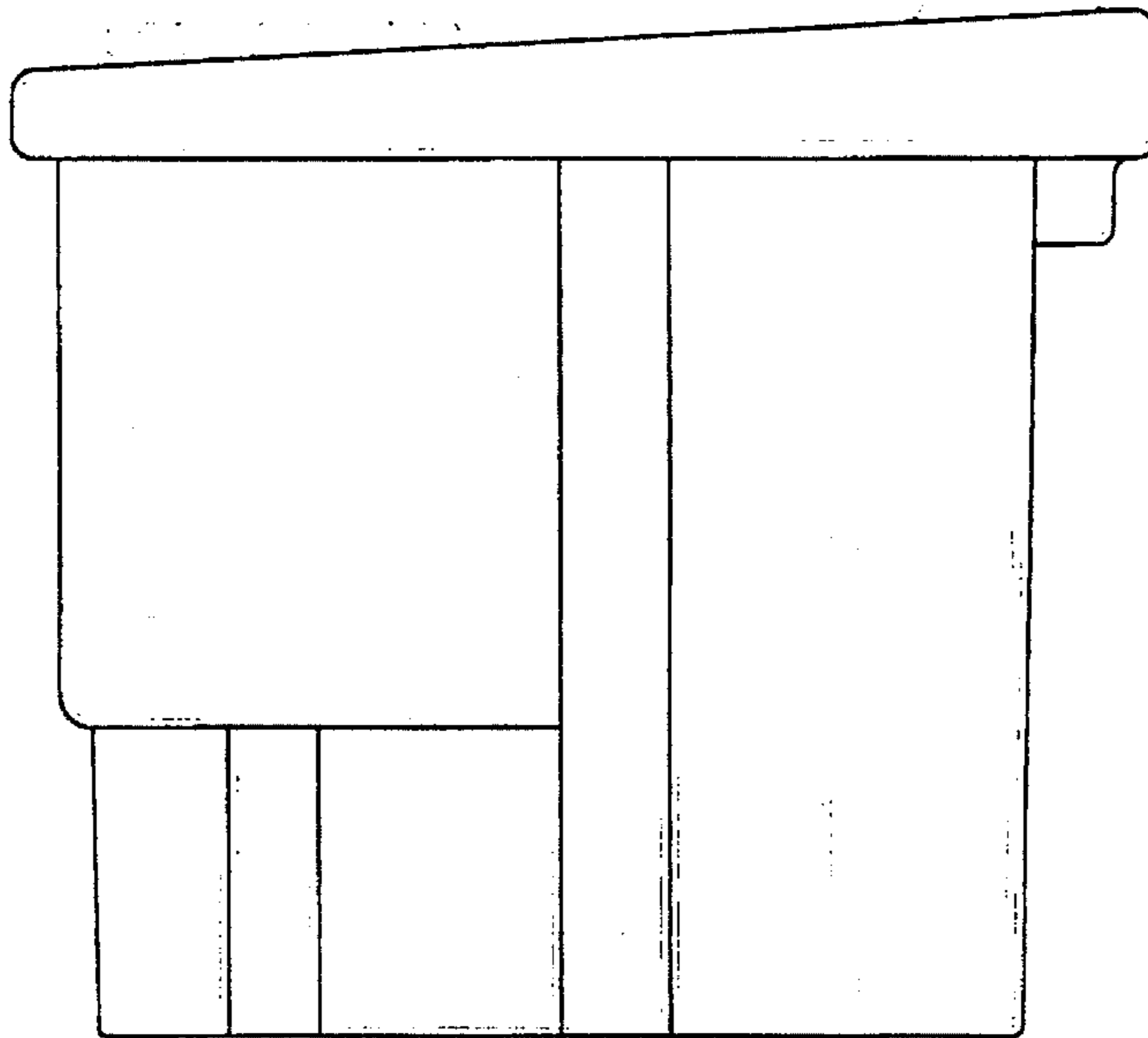


FIG. 6

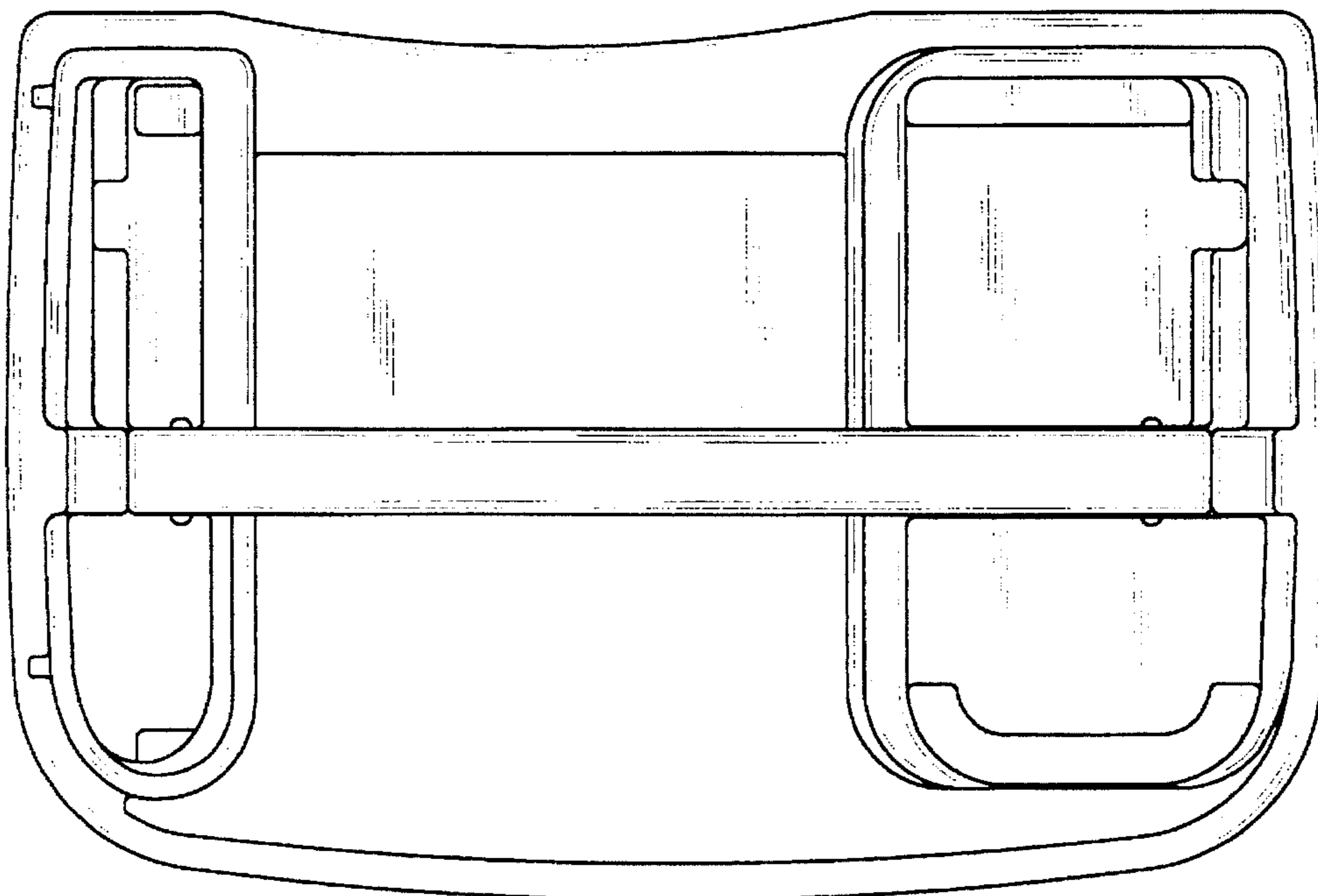


FIG. 7

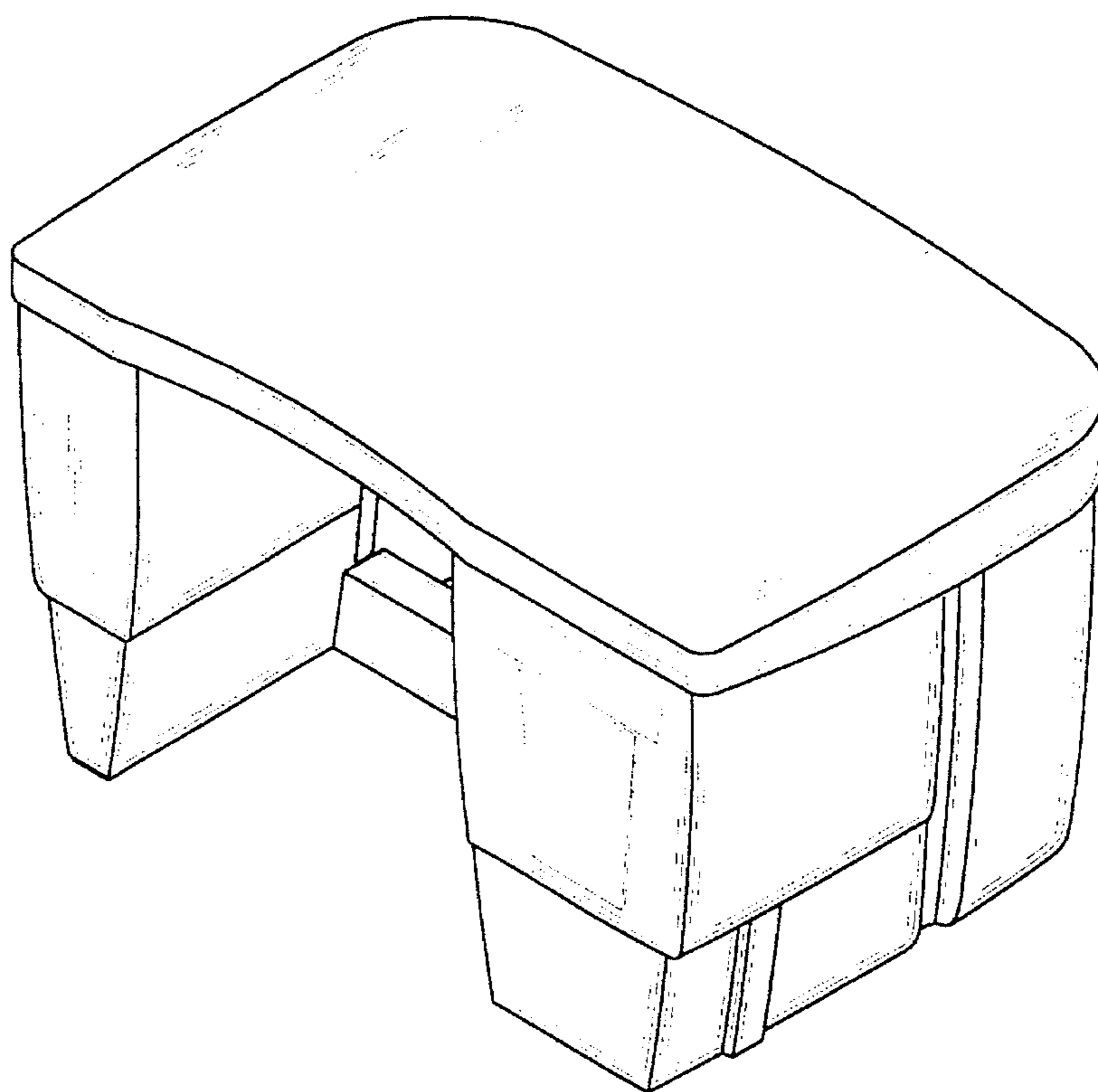


FIG. 8

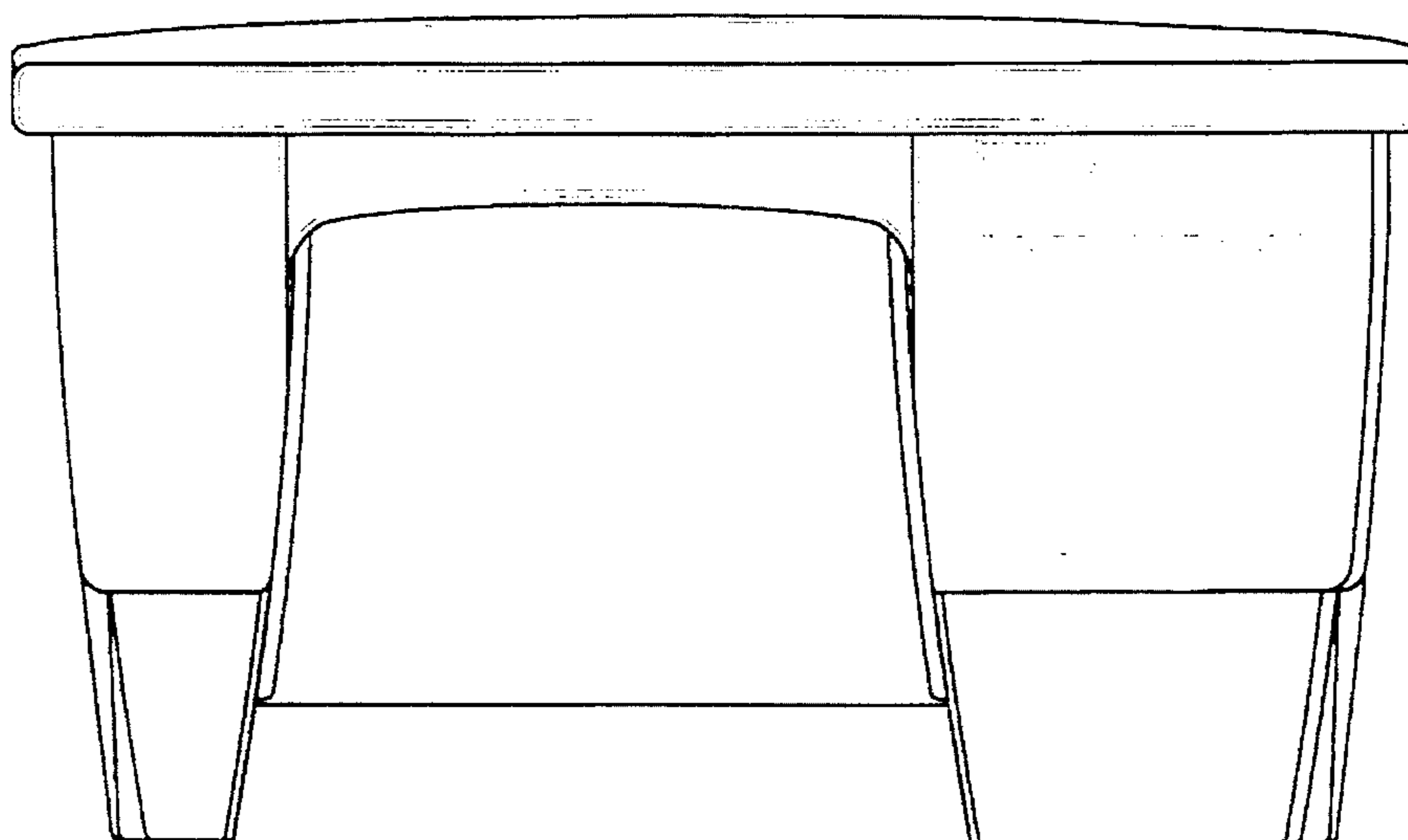


FIG. 9

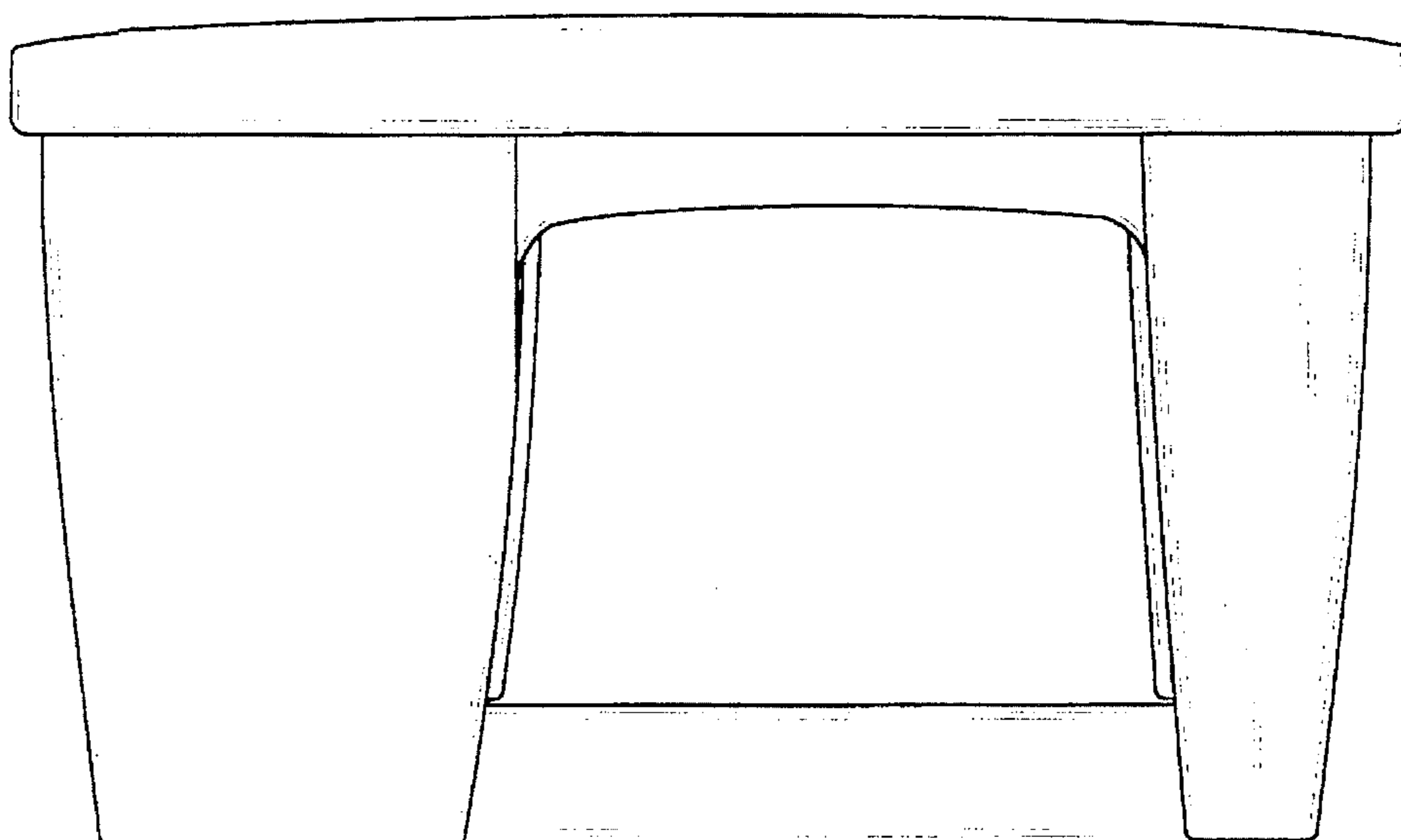


FIG. 10

