



US00D367562S

United States Patent [19]

[11] Patent Number: **Des. 367,562**

Ressegger et al.

[45] Date of Patent: ****Mar. 5, 1996**

[54] **ADJUSTABLE MIRROR**

Primary Examiner—Janice E. Seeger
Attorney, Agent, or Firm—Katherine McGuire

[76] Inventors: **Leonard Ressegger**, R.D. 2,
Stonybrook Rd., Oneida, N.Y. 13421;
Bruno Karrer, Venezuela 205, Toluca,
Mexico

[57] **CLAIM**

The ornamental design for adjustable mirror, as shown and described.

[**] Term: **14 Years**

DESCRIPTION

[21] Appl. No.: **16,549**

FIG. 1 is a front, elevational view of an adjustable mirror with the mirror in a fully raised position showing our new design;

[22] Filed: **Dec. 20, 1993**

FIG. 2 is a side elevational view, the opposite side being a mirror image thereof;

[52] U.S. Cl. **D6/312**; D6/300

FIG. 3 is a rear elevational view thereof;

[58] Field of Search D6/300, 311, 312,
D6/314; D20/42; 248/466, 472, 476, 489;
40/647

FIG. 4 is a top plan view thereof;

[56] **References Cited**

FIG. 5 is a bottom plan view thereof;

U.S. PATENT DOCUMENTS

FIG. 6 is a side elevational view with the mirror shown in partially lowered position, the broken lines are for environmental purposes only and form no part of the claimed design; and,

D. 248,200	6/1978	Stratton	D6/300
1,387,887	8/1921	Gage	248/489 X
1,475,782	11/1923	Beach	40/647 X
1,764,558	6/1930	Ginsberg	40/647
2,400,313	5/1946	Myers	40/647
4,602,855	7/1986	Frey	248/476 X
4,821,437	4/1989	Abramson et al.	D20/42 X
4,858,871	8/1989	Romano	248/489 X

FIG. 7 is a perspective view thereof, the broken lines are for environmental purposes only and form no part of the claimed design.

1 Claim, 2 Drawing Sheets

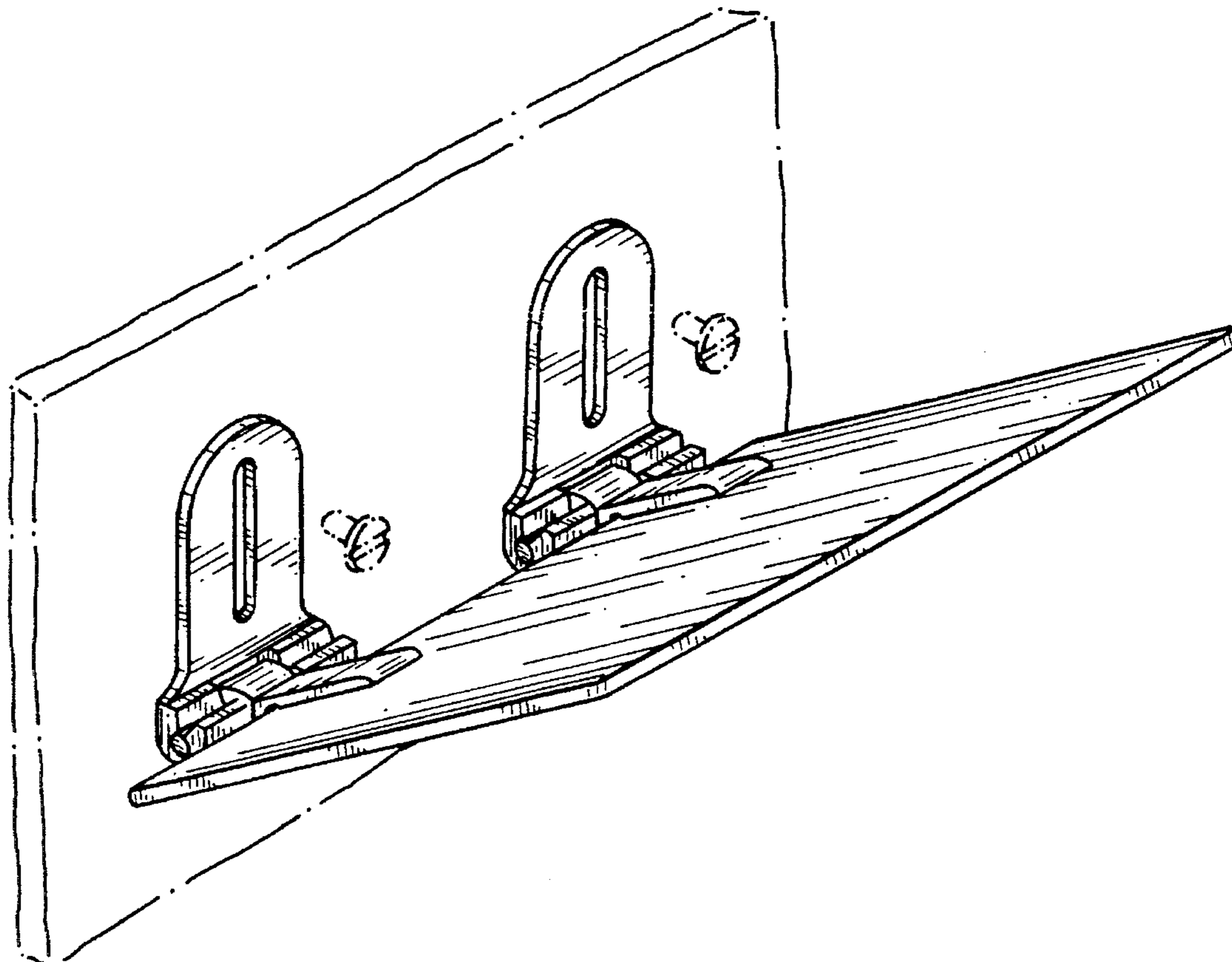


FIG. 1

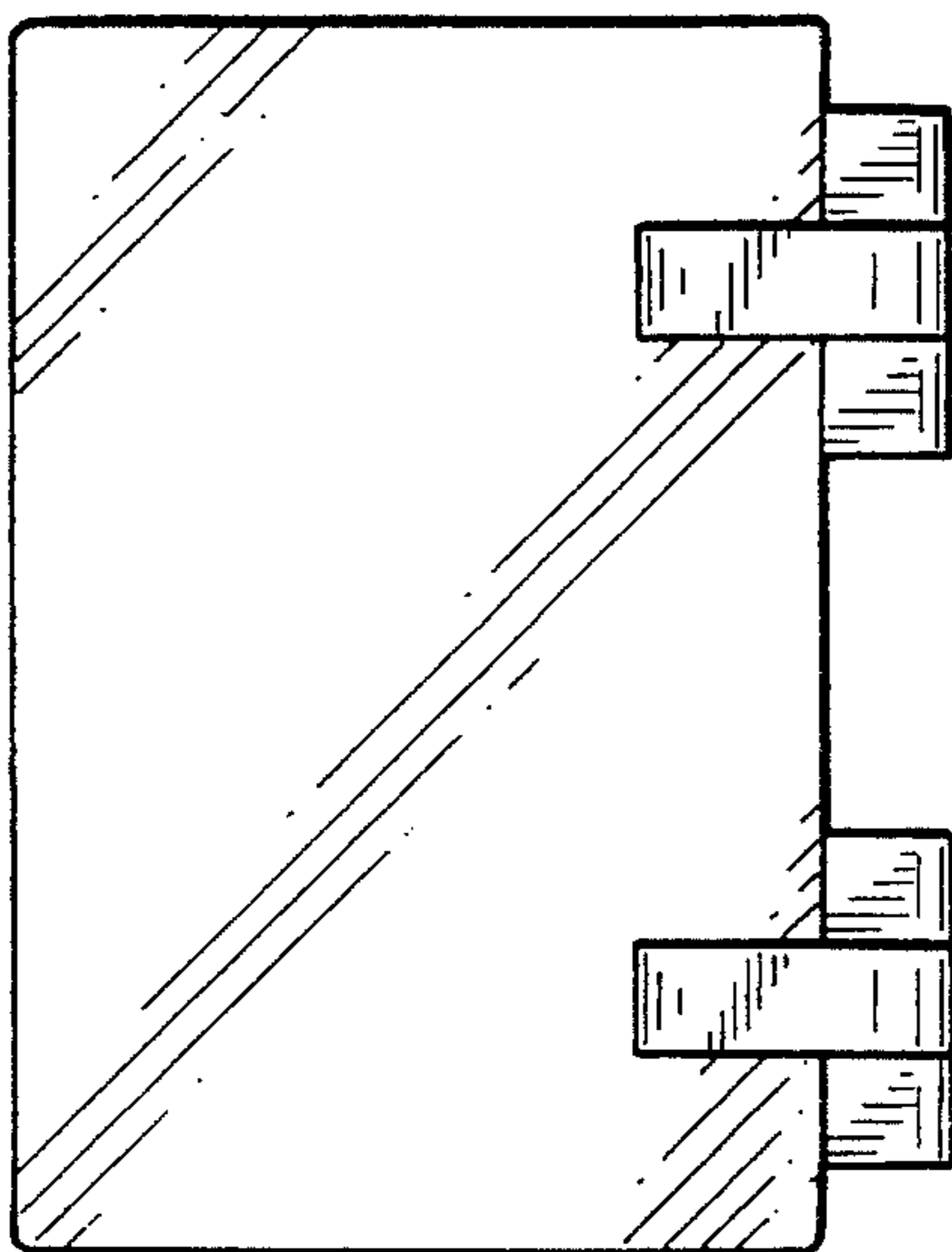


FIG. 2

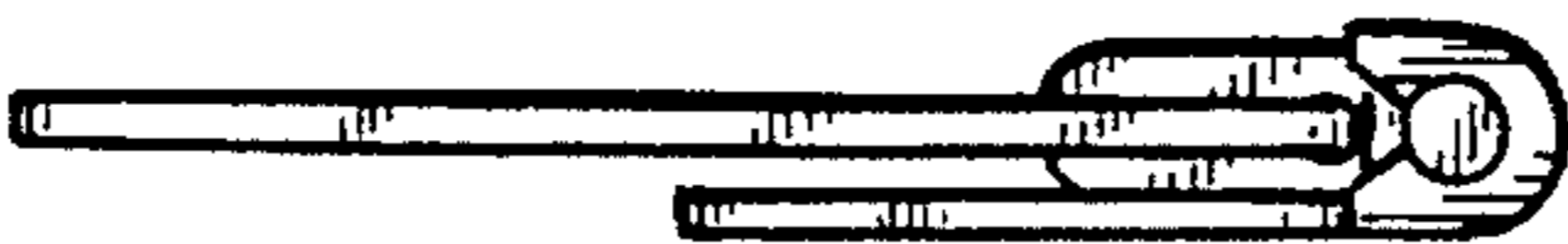


FIG. 3

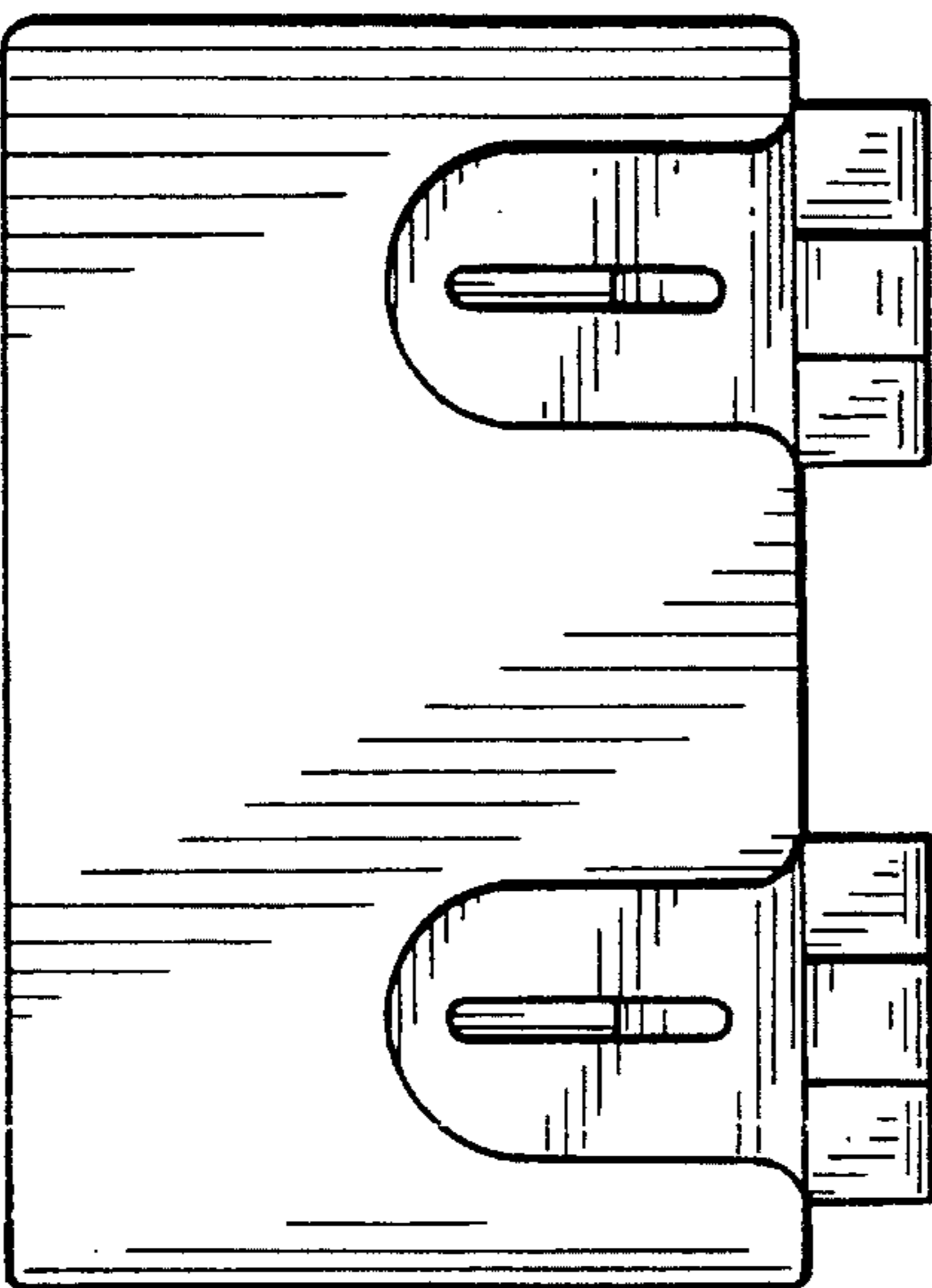


FIG. 4



FIG. 5



FIG. 6

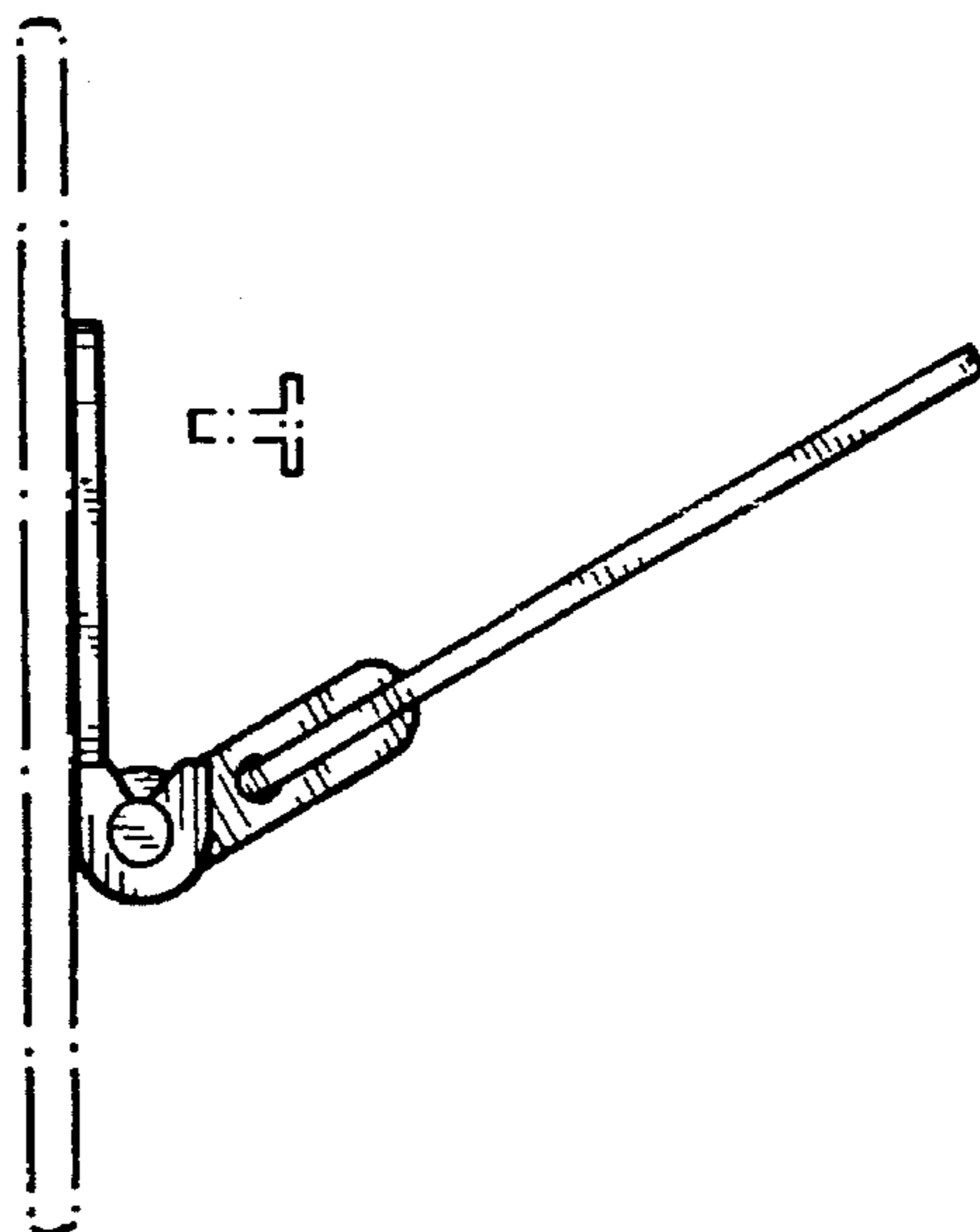


FIG. 7

