



US00D367561S

**United States Patent** [19]  
**Kwan**

[11] **Patent Number: Des. 367,561**  
[45] **Date of Patent: \*\*Mar. 5, 1996**

[54] **BASEBALL/CARD HOLDER**

5,165,538 11/1992 Peters .

[76] Inventor: **Patrick P. Kwan**, 18020 - 57th Ave.  
NE., Seattle, Wash. 98144

**FOREIGN PATENT DOCUMENTS**

69963 1/1992 Canada .

[\*\*] Term: **14 Years**

*Primary Examiner*—Janice E. Seeger  
*Attorney, Agent, or Firm*—Graybeal Jackson Haley &  
Johnson

[21] Appl. No.: **33,606**

[22] Filed: **Jan. 17, 1995**

[57] **CLAIM**

[52] **U.S. Cl.** ..... **D6/310; D6/302; D6/314**

[58] **Field of Search** ..... D6/300-314, 470,  
D6/471, 472, 457; 40/152, 152.1, 153,  
154, 158.1, 160

The ornamental design for a baseball/card holder, as shown  
and described.

**DESCRIPTION**

[56] **References Cited**

**U.S. PATENT DOCUMENTS**

D. 158,699	5/1950	Wasilevich .	
D. 229,458	12/1973	Schneider .	
D. 260,864	9/1981	Perry .	
D. 278,109	3/1985	Leeds .....	D6/419
D. 352,175	11/1994	McMillan .	
D. 352,176	11/1994	McMillan .....	D6/310
684,738	10/1901	Adams .....	40/160
2,434,860	1/1948	Oxley .....	D6/314
3,658,413	4/1972	Cornell .	
3,703,045	11/1972	Nyman .	
4,019,269	4/1977	Vix .	
4,195,729	4/1980	Macken .	
4,199,883	4/1980	Cross .....	40/152.1
5,082,110	1/1992	Hager .	

FIG. 1 is a front perspective view of the baseball/card holder  
showing my design;  
FIG. 2 is a front view in elevation of the baseball/card holder  
of FIG. 1;  
FIG. 3 is a rear view in elevation of the baseball/card holder  
of FIG. 1;  
FIG. 4 is a side view in elevation as seen from the right-hand  
side of the baseball/card holder of FIG. 1;  
FIG. 5 is a side view in elevation as seen from the left-hand  
side of the baseball/card holder of FIG. 1;  
FIG. 6 is a top plan view of the baseball/card holder of FIG.  
1; and,  
FIG. 7 is a bottom plan view of the baseball/card holder of  
FIG. 1.

**1 Claim, 3 Drawing Sheets**

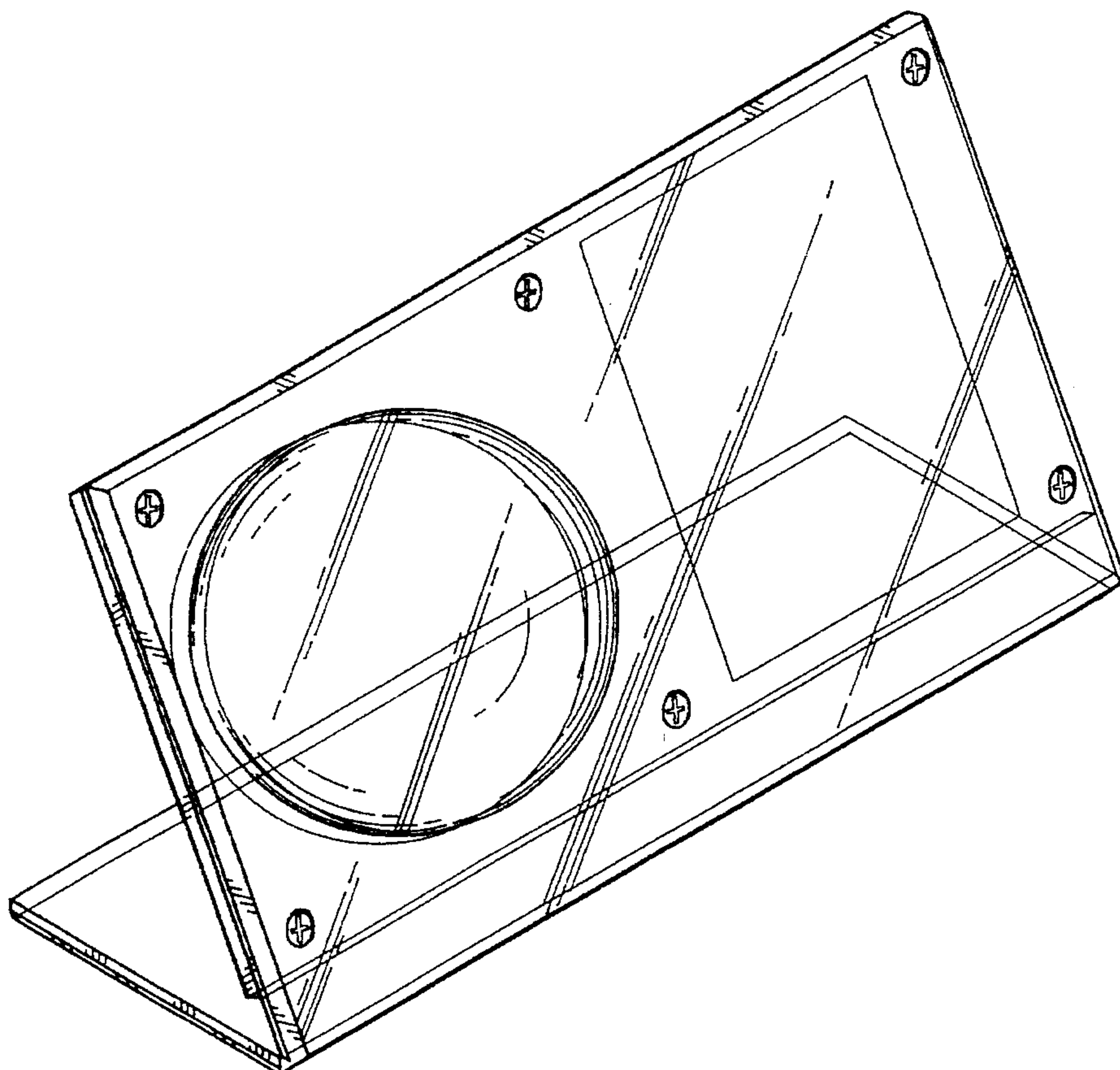


FIG. 1

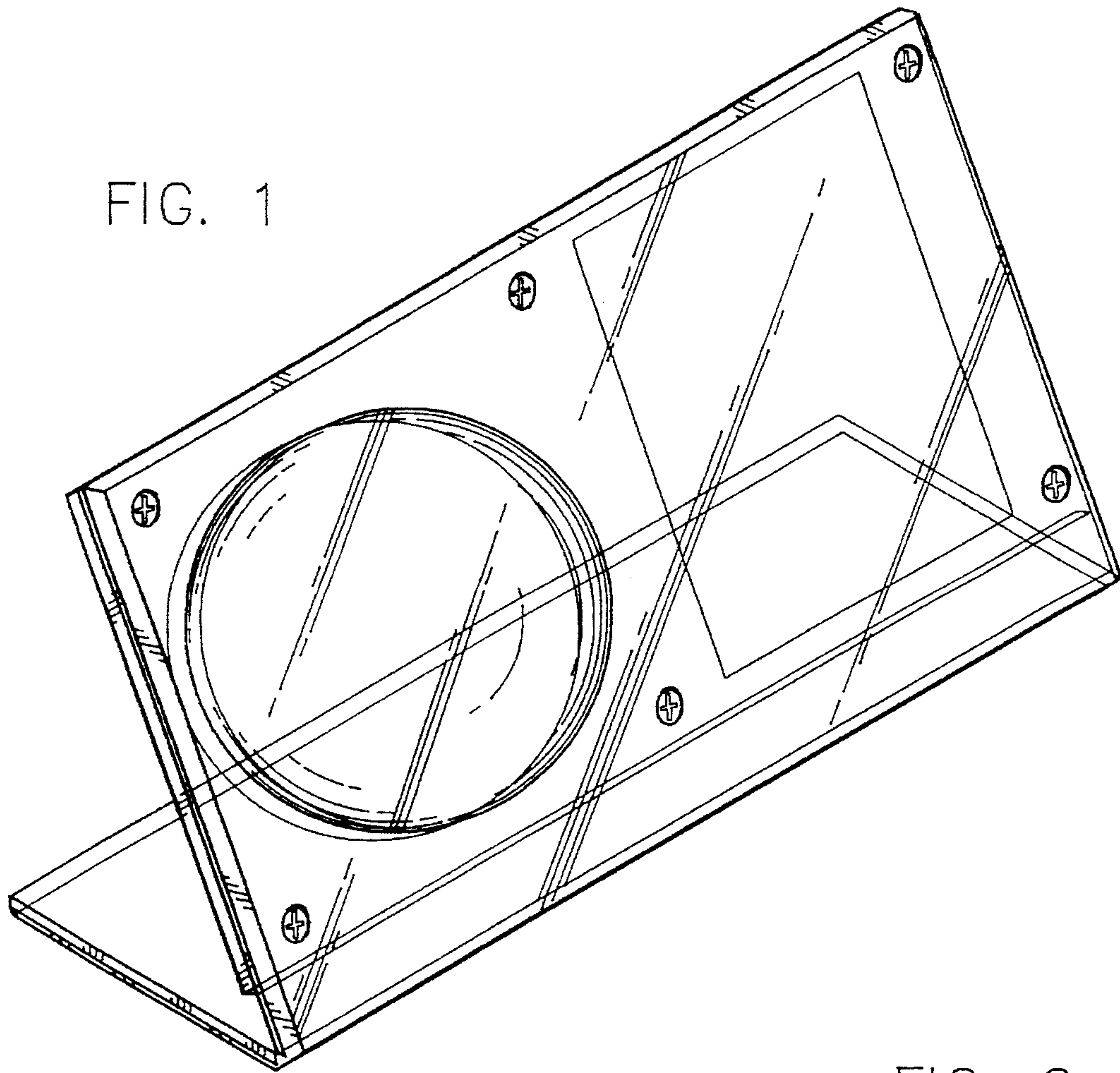


FIG. 2

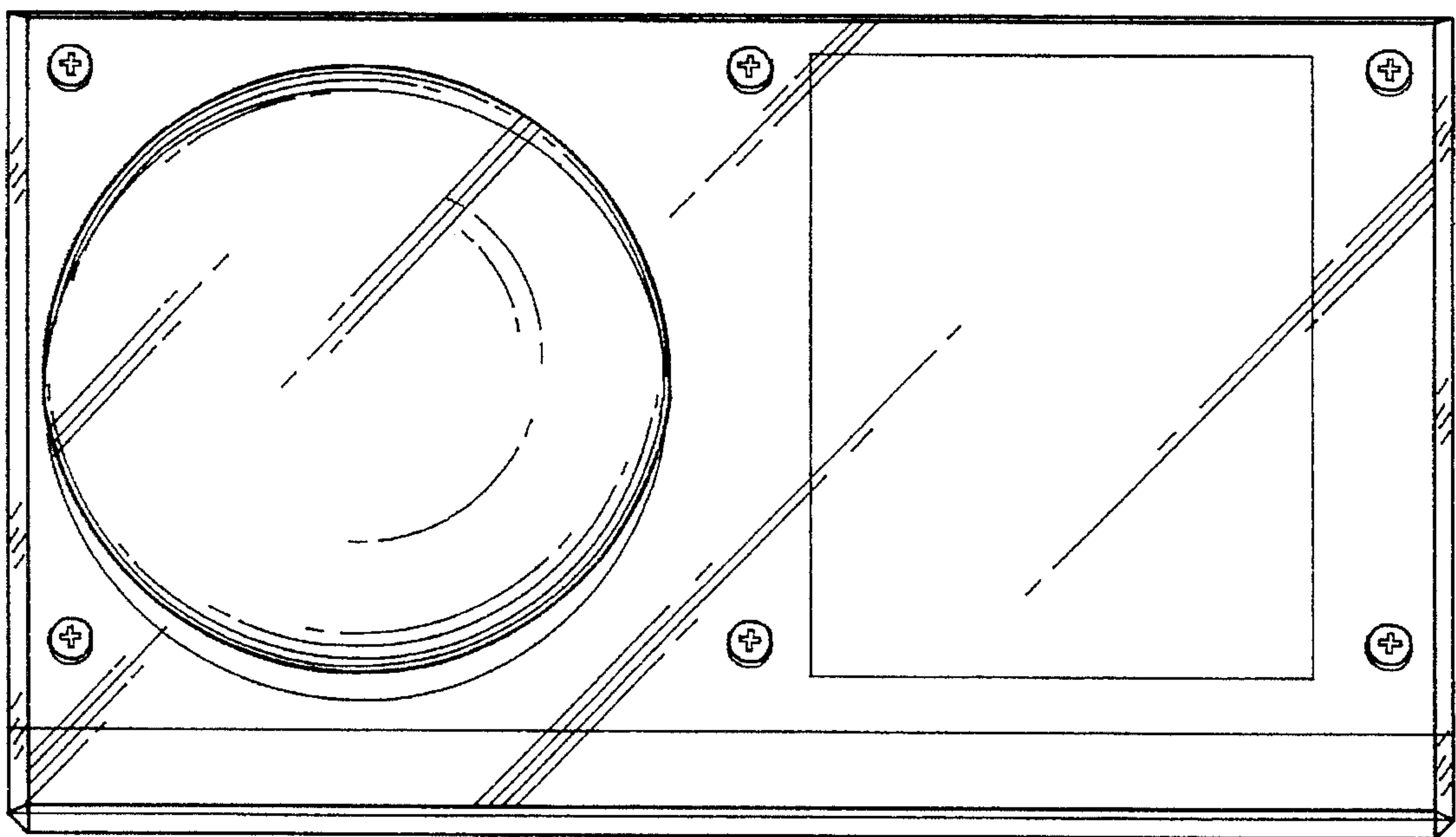




FIG. 3

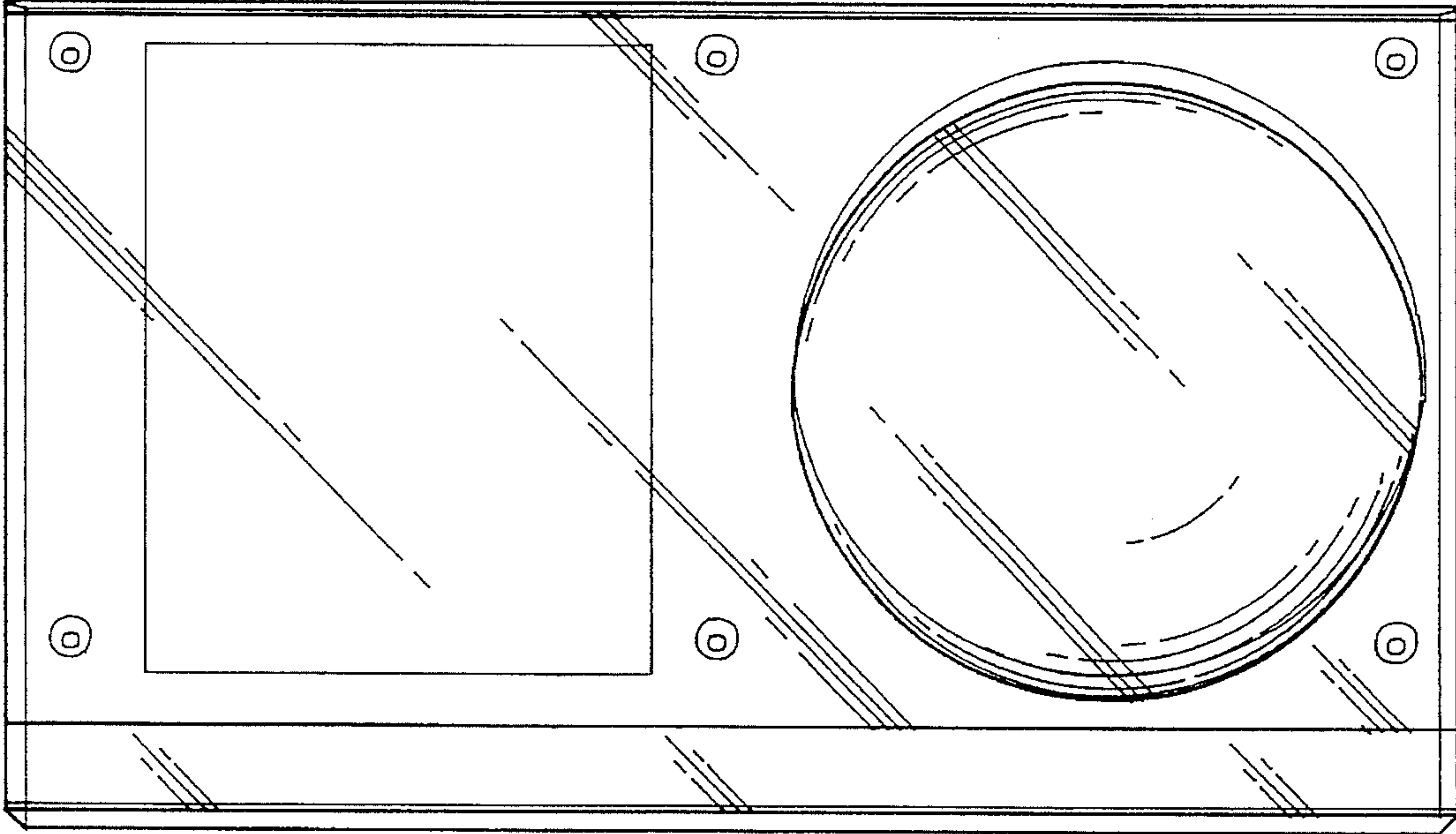


FIG. 4

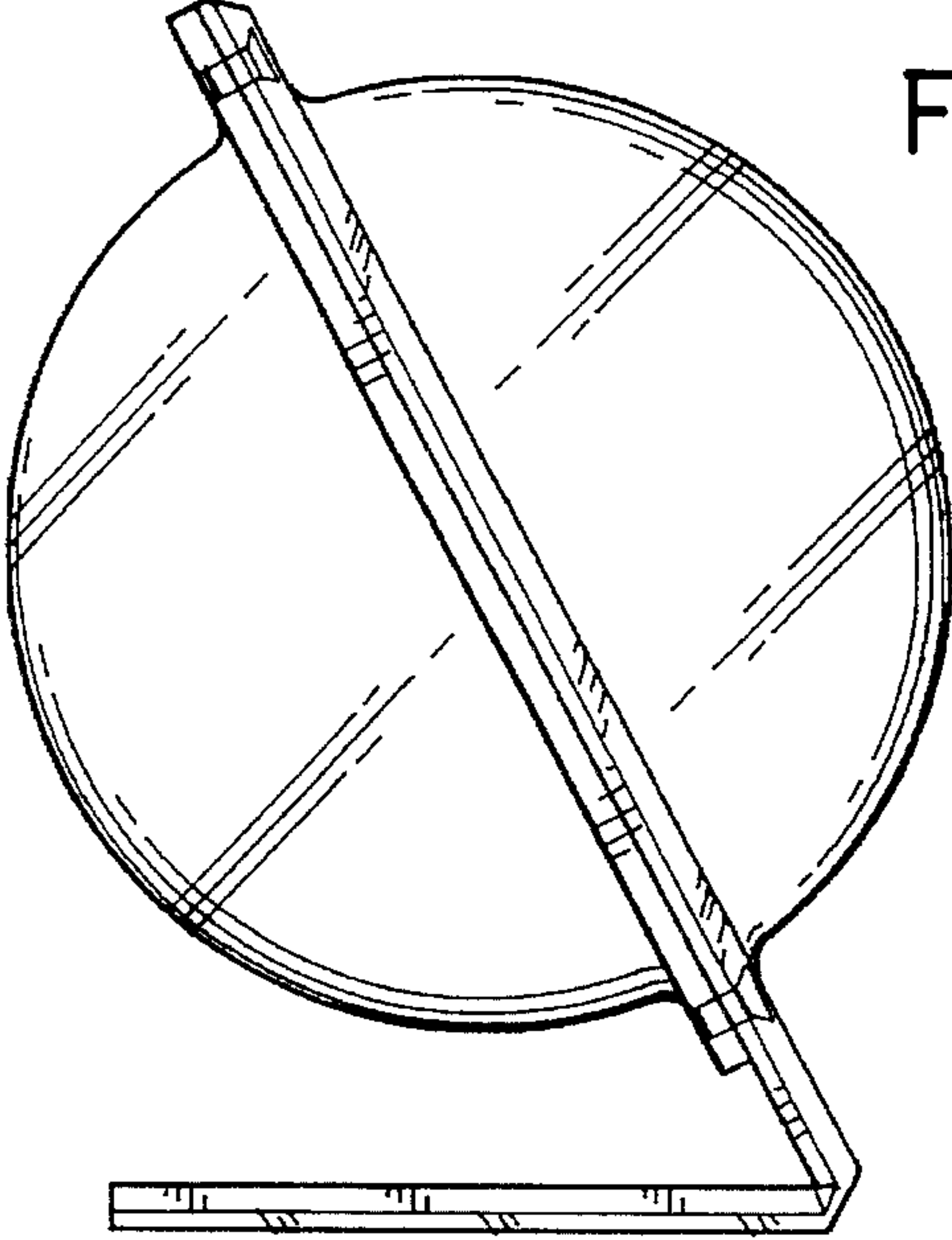


FIG. 5

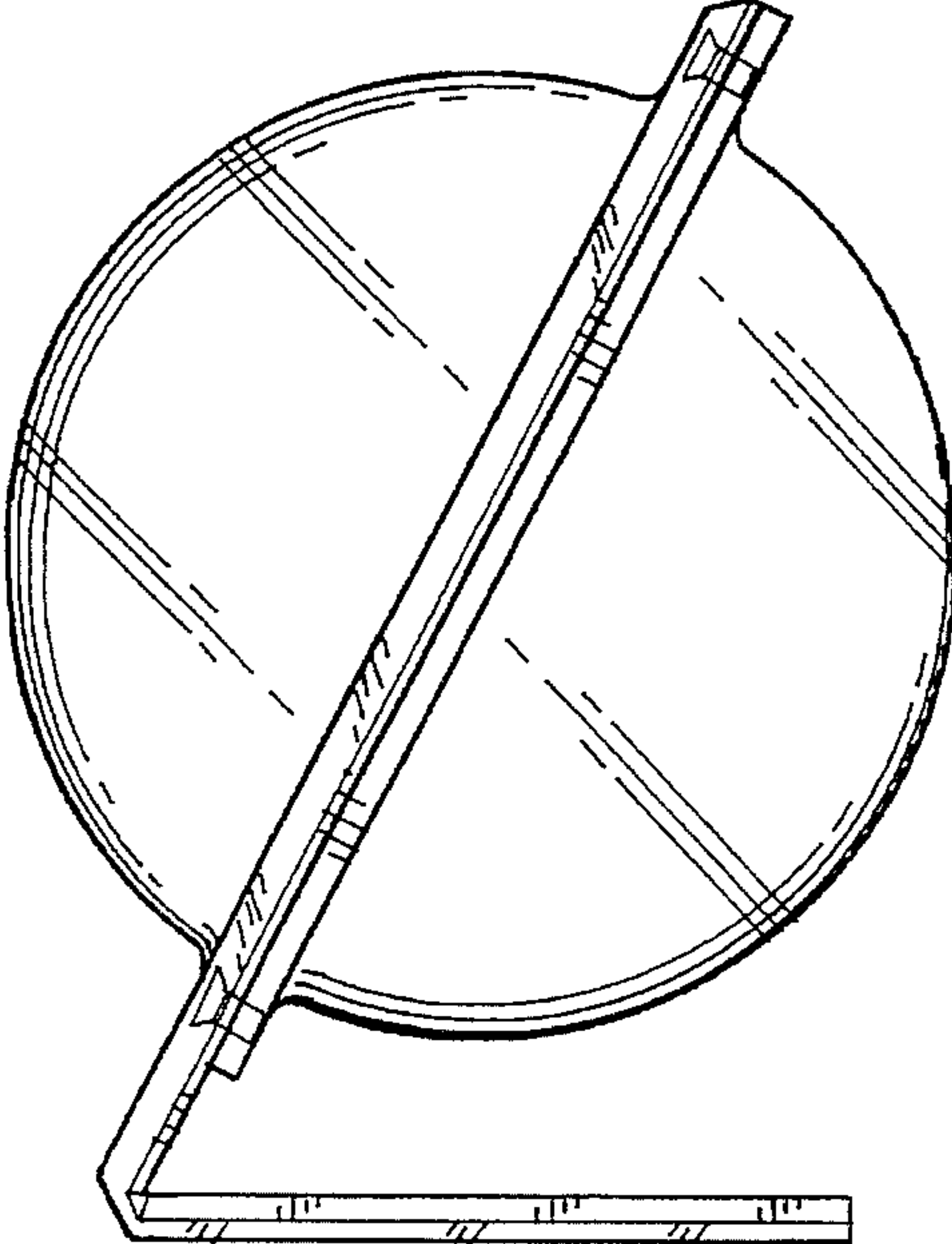


FIG. 6

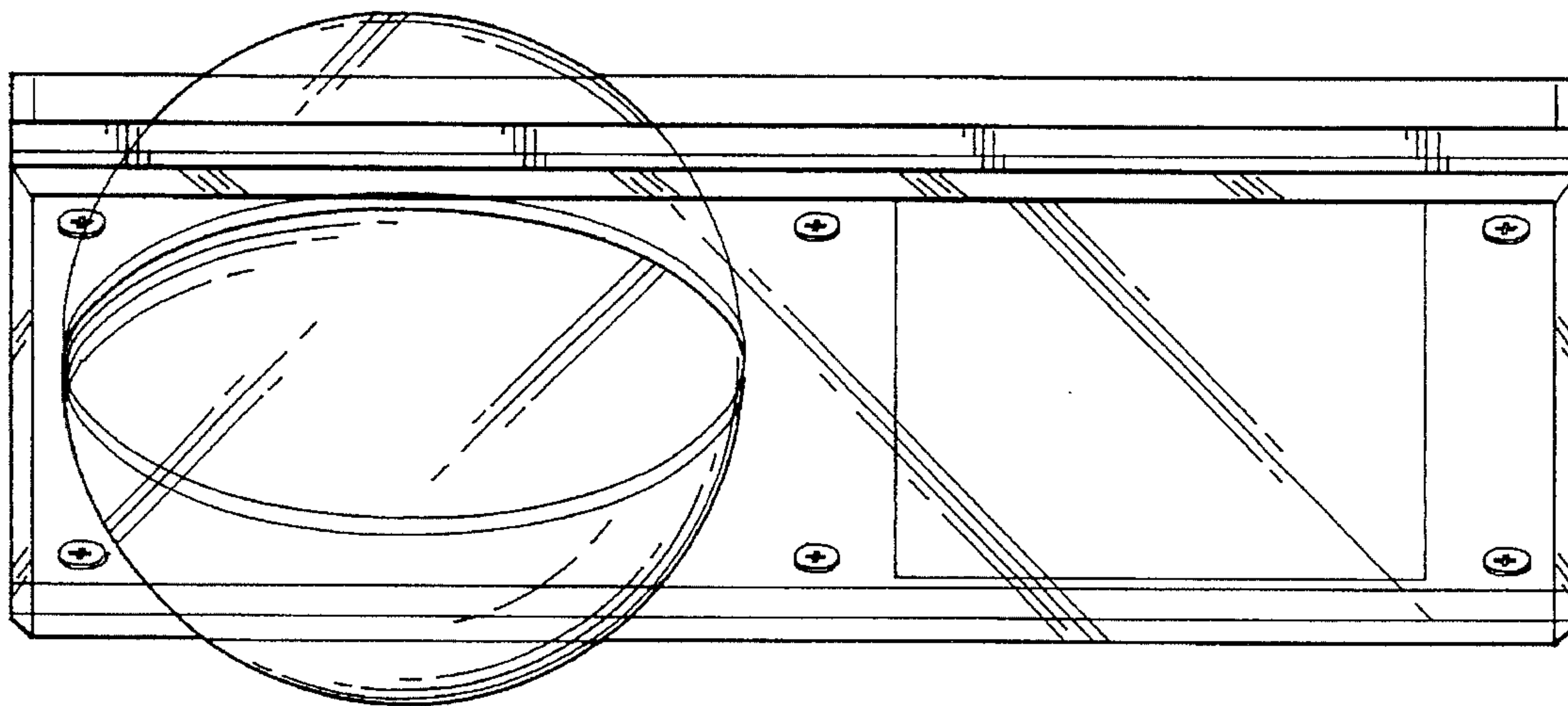


FIG. 7

